



US00D635088S

(12) **United States Design Patent**
Sareen

(10) **Patent No.:** **US D635,088 S**

(45) **Date of Patent:** **** Mar. 29, 2011**

(54) **TIRE TREAD**

(75) Inventor: **Gajendra Singh Sareen**, Singapore
(SG)

(73) Assignee: **Omni United (S) Pte Ltd**, Singapore
(SG)

(**) Term: **14 Years**

(21) Appl. No.: **29/348,256**

(22) Filed: **Dec. 14, 2009**

(51) **LOC (9) Cl.** **12-15**

(52) **U.S. Cl.** **D12/602**

(58) **Field of Classification Search** D12/568,
D12/571, 574, 577-603, 536, 642, 544, 566-567,
D12/900-901; 152/209.1, 209.8-209.19,
152/209.25-209.28

See application file for complete search history.

(56) **References Cited**

U.S. PATENT DOCUMENTS

D279,891 S *	7/1985	German et al.	D12/596
D328,577 S *	8/1992	Goergen et al.	D12/597
D344,477 S *	2/1994	Lardo	D12/597
D384,611 S *	10/1997	Harden, Jr.	D12/597
D402,239 S *	12/1998	Le et al.	D12/596
D411,820 S *	7/1999	Hagmaier et al.	D12/596
D426,179 S *	6/2000	Fierro et al.	D12/596
D458,898 S *	6/2002	Shinmura	D12/596
D483,323 S	12/2003	Williams	
D491,887 S	6/2004	Lassan et al.	
D494,922 S	8/2004	Kindig et al.	
D534,117 S	12/2006	Welbes et al.	
D537,033 S	2/2007	Dumigan et al.	
D537,407 S	2/2007	Dumigan et al.	
D551,161 S	9/2007	Beaubras et al.	
D554,057 S	10/2007	Brainerd, II et al.	
D556,673 S	12/2007	Missik-Gaffney et al.	
D557,654 S	12/2007	Yamaguchi	

D559,773 S *	1/2008	Campana et al.	D12/602
D567,749 S	4/2008	Brown et al.	
D570,767 S *	6/2008	Miyazaki et al.	D12/602
D577,660 S *	9/2008	Durand	D12/602
D593,485 S	6/2009	Davidson, Jr. et al.	
D615,486 S *	5/2010	Souchet	D12/602
D622,211 S *	8/2010	Maus et al.	D12/602
D624,490 S *	9/2010	Kaji	D12/602
D627,708 S *	11/2010	Carter et al.	D12/602

* cited by examiner

Primary Examiner — Stacia Cadmus

(74) *Attorney, Agent, or Firm* — Thomas W. Cook

(57) **CLAIM**

The ornamental design for a tire tread, as shown and described.

DESCRIPTION

FIG. 1 is a perspective view of a tire tread, showing our new design;

FIG. 2 is a front view thereof;

FIG. 3 is a right side view thereof;

FIG. 4 is a perspective view of a section of the tire tread as defined by lines a—a and b—b;

FIG. 5 is an enlarged view of the section of the tire tread defined by lines a—a and b—b in FIG. 4;

FIG. 6 is a front view of a section of the tire tread as defined by lines c—c and d—d;

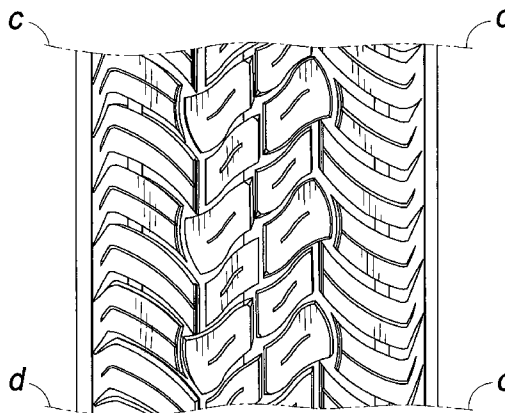
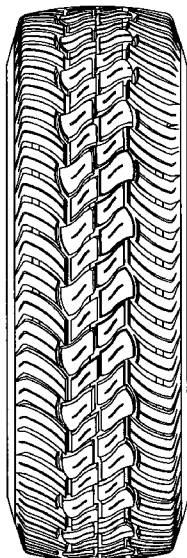
FIG. 7 is an enlarged view of the section of the tire tread defined by lines c—c and d—d in FIG. 6;

FIG. 8 is a right side view of a section of the tire tread as defined by line e and line f; and,

FIG. 9 is an enlarged view of the section of the tire tread defined by line e and line f in FIG. 8.

The broken line showing of the tire in FIGS. 4-9 is included for the purpose of illustrating environment, and forms no part of the claimed design.

1 Claim, 9 Drawing Sheets



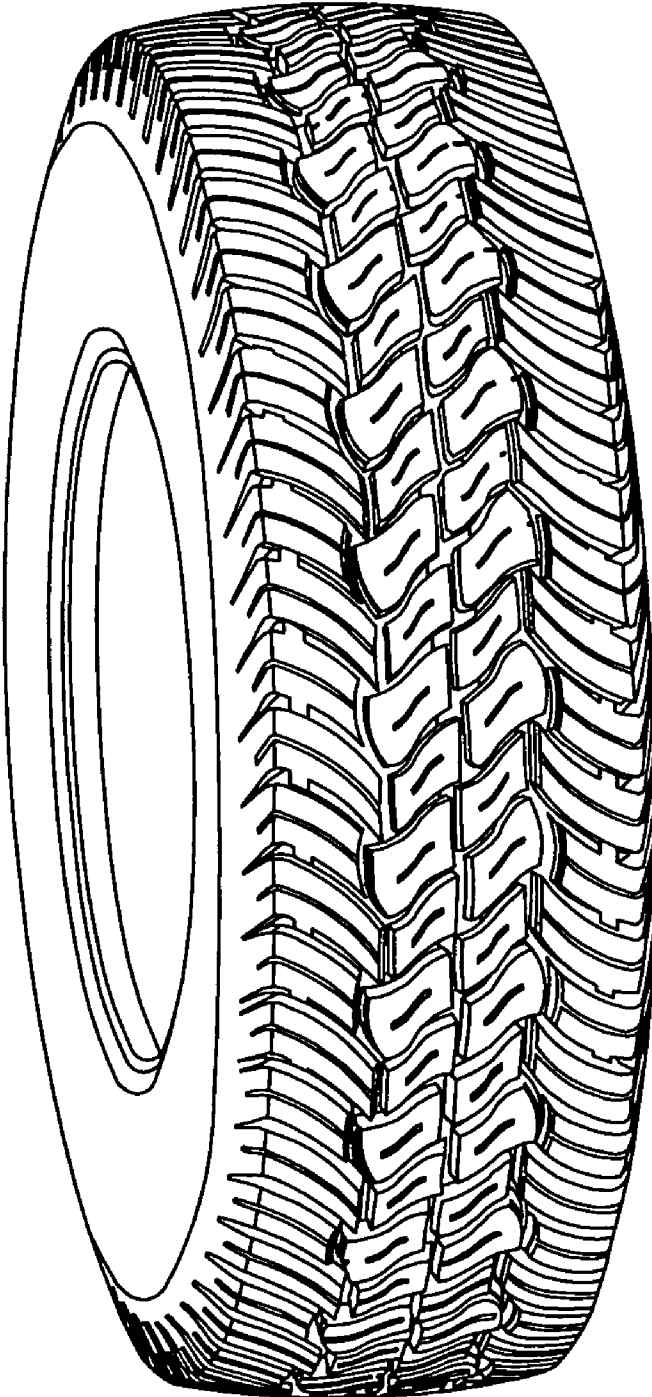


FIG. 1

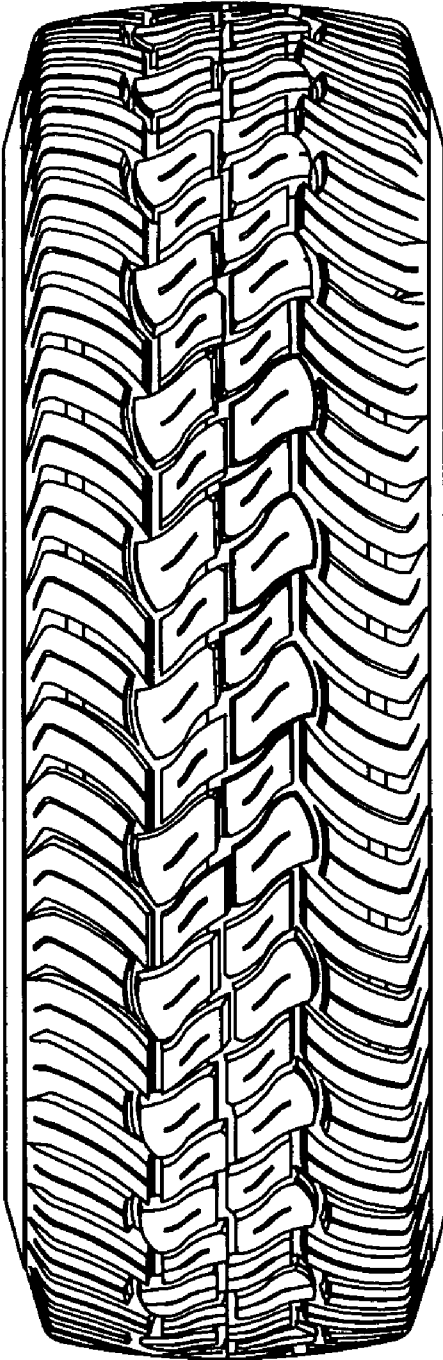


FIG. 2

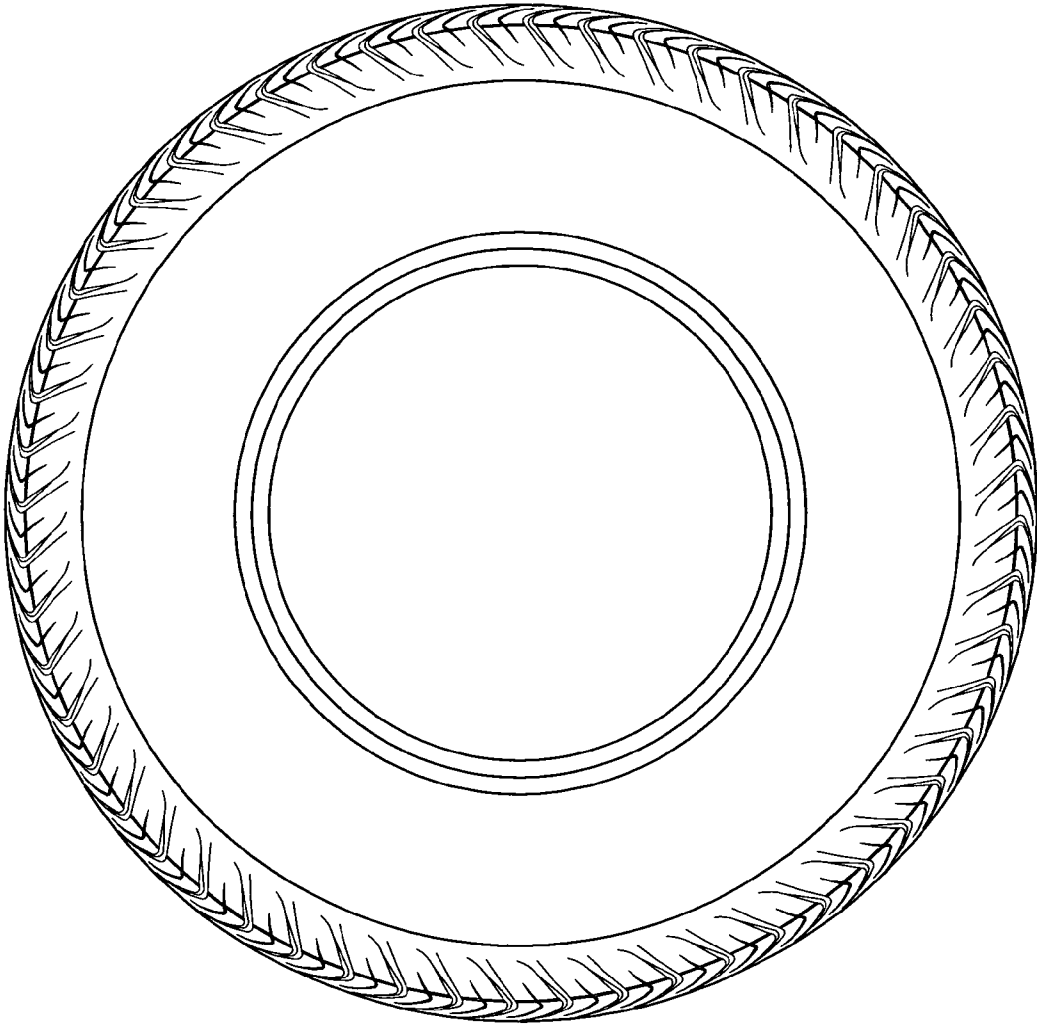


FIG. 3

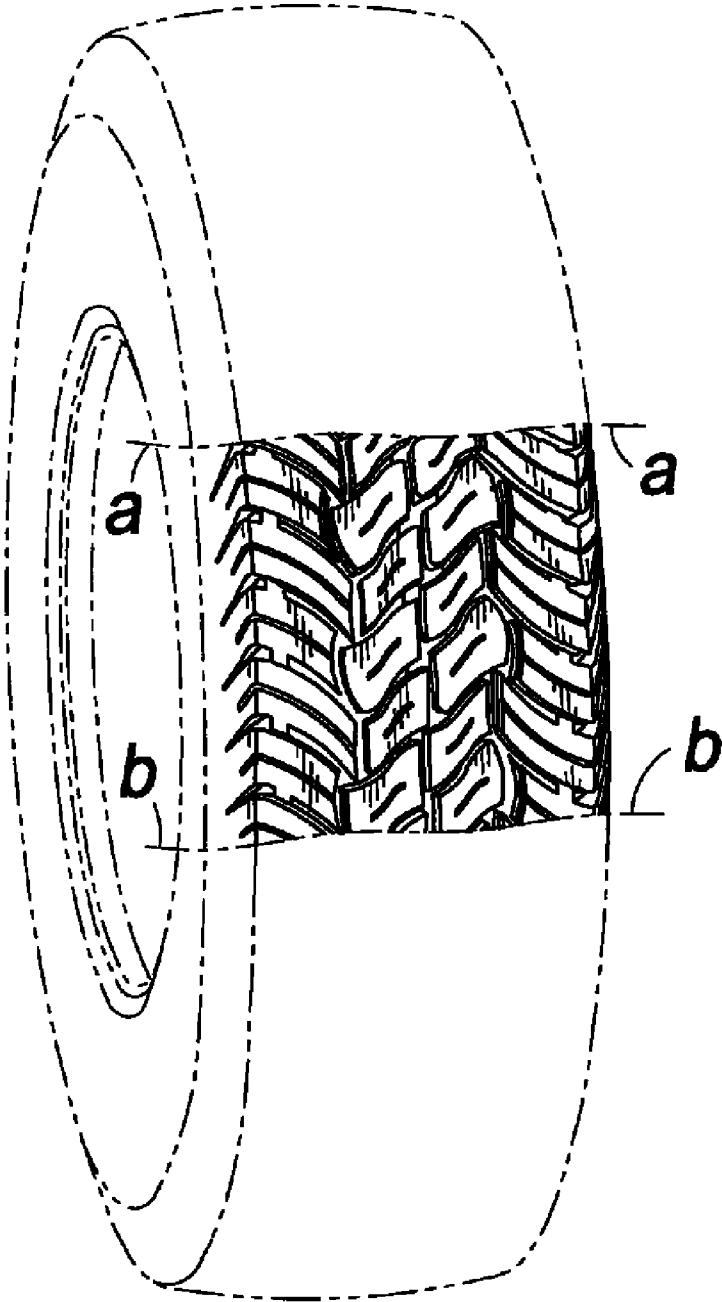


FIG. 4

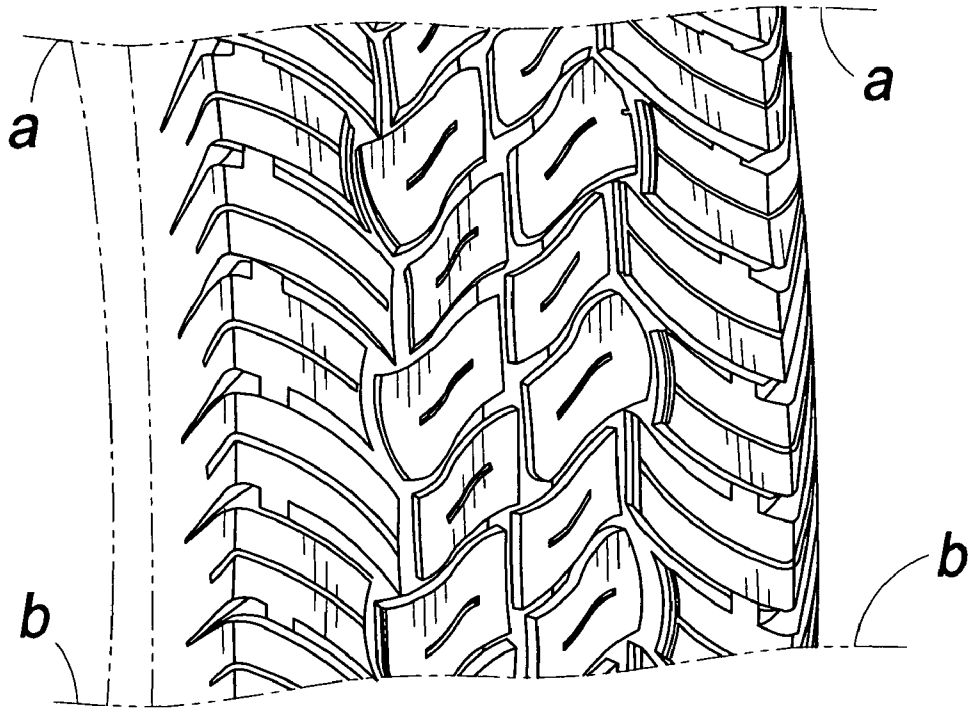


FIG. 5

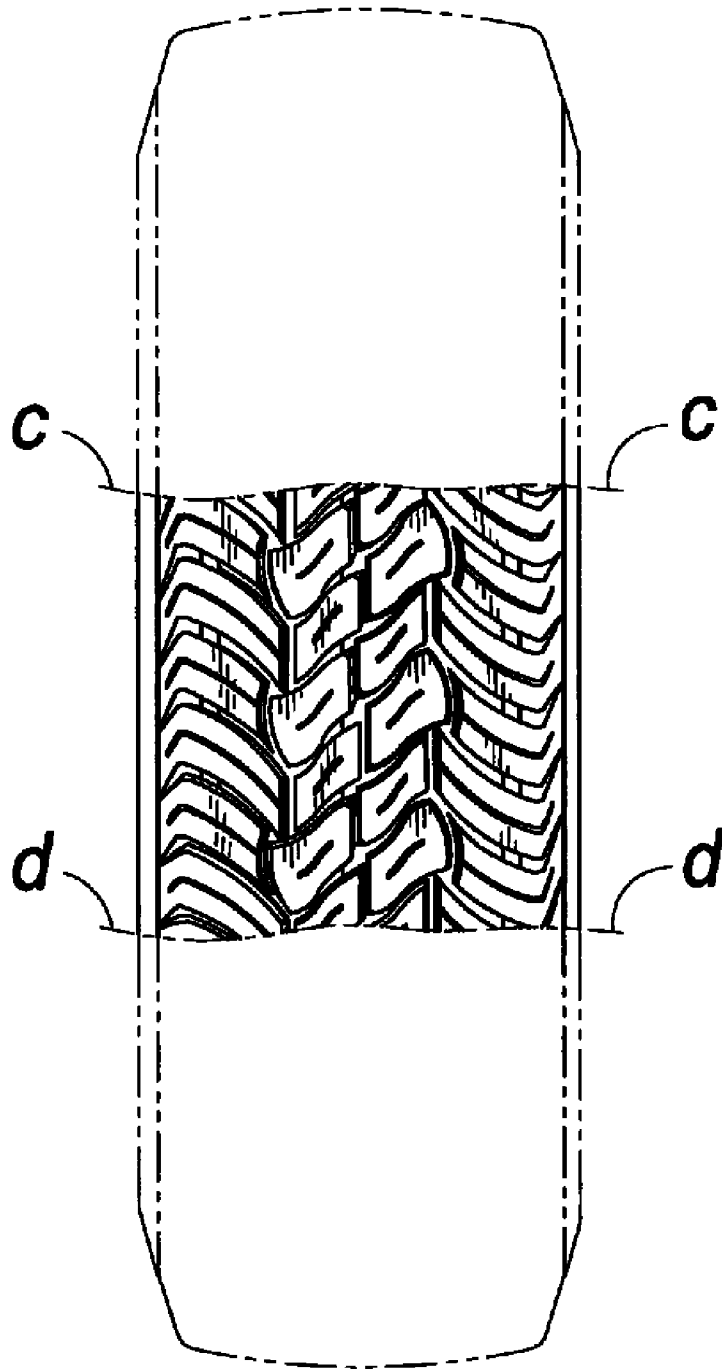


FIG. 6

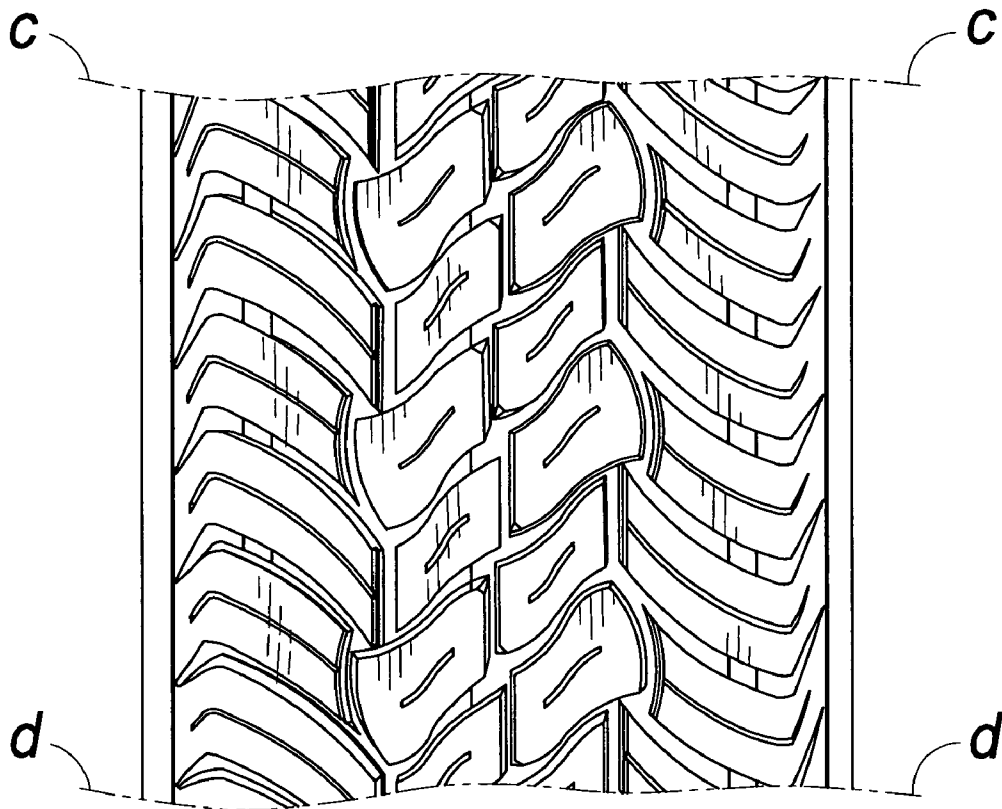


FIG. 7

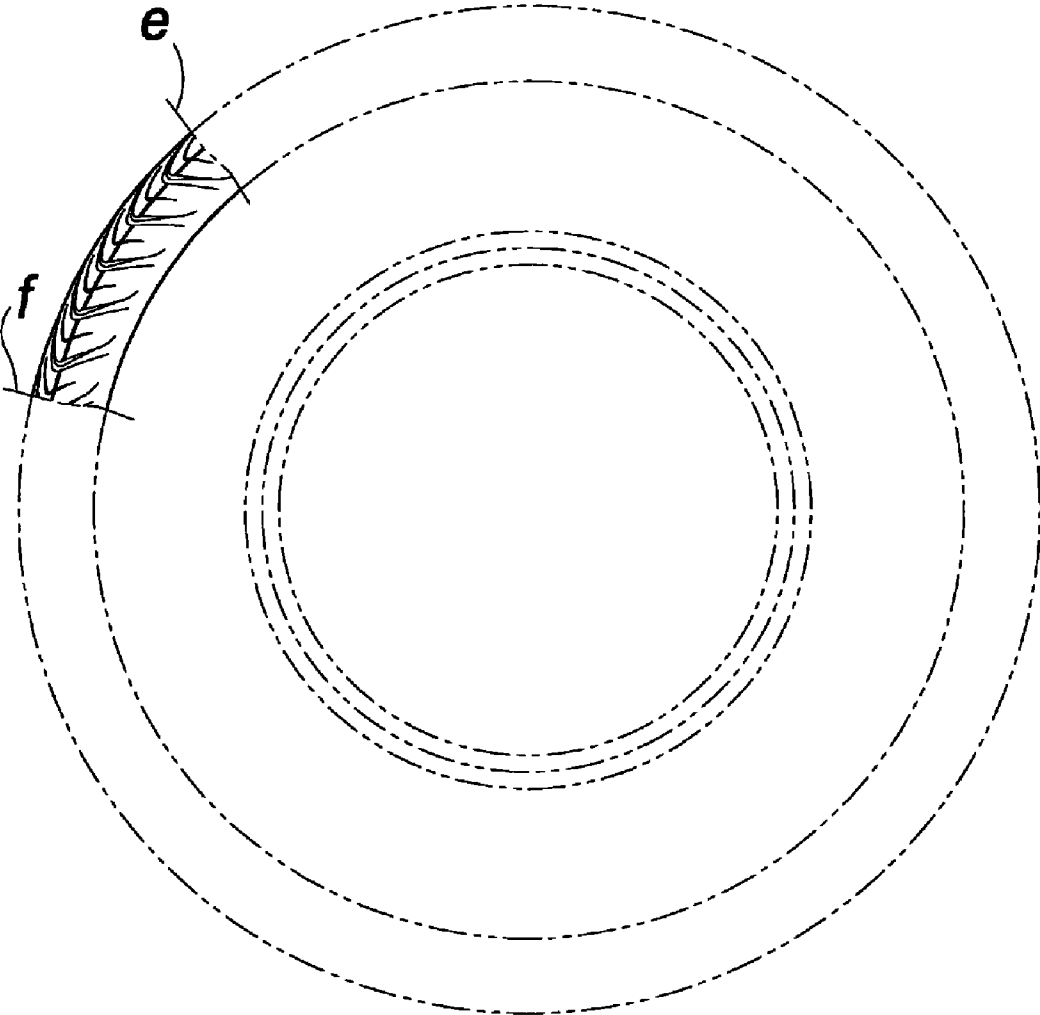


FIG. 8

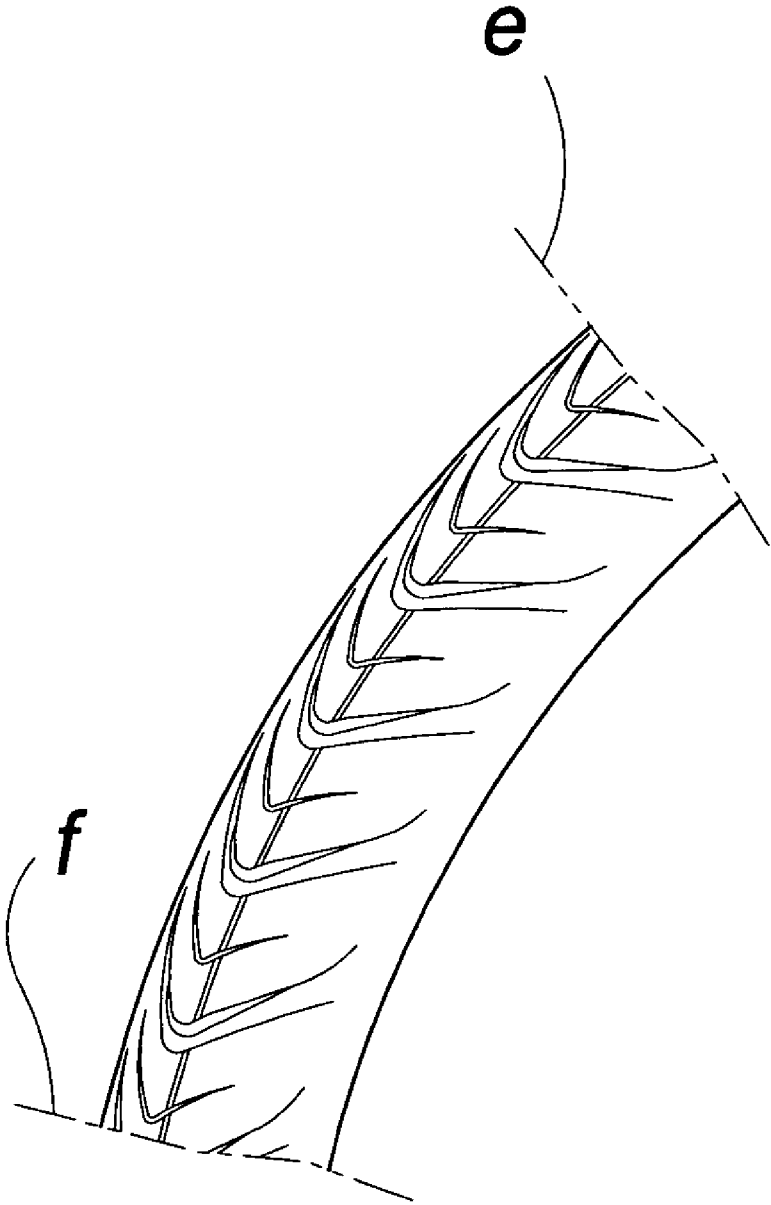


FIG. 9