



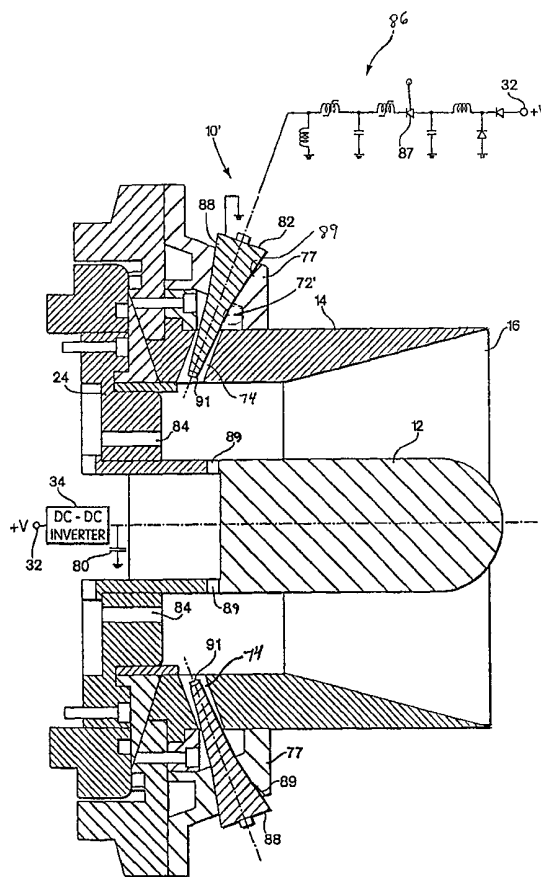
INTERNATIONAL APPLICATION PUBLISHED UNDER THE PATENT COOPERATION TREATY (PCT)

<p>(51) International Patent Classification ⁷ : H01J 7/24, H05B 31/26</p>	<p>A1</p>	<p>(11) International Publication Number: WO 00/58989 (43) International Publication Date: 5 October 2000 (05.10.00)</p>
<p>(21) International Application Number: PCT/US00/06009 (22) International Filing Date: 8 March 2000 (08.03.00)</p> <p>(30) Priority Data: 09/283,135 31 March 1999 (31.03.99) US 09/352,571 13 July 1999 (13.07.99) US</p> <p>(71) Applicant: SCIENCE RESEARCH LABORATORY, INC. [US/US]; 15 Ward Street, Somerville, MA 02143 (US).</p> <p>(72) Inventor: BIRX, Daniel; Rte 2, 174D, 3300 Crismore Lane, Oakley, CA 94561 (US).</p> <p>(74) Agent: KRANSDORF, Ronald, J.; Wolf, Greenfield & Sacks, P.C., 600 Atlantic Avenue, Boston, MA 02210 (US).</p>		<p>(81) Designated States: CA, JP, European patent (AT, BE, CH, CY, DE, DK, ES, FI, FR, GB, GR, IE, IT, LU, MC, NL, PT, SE).</p> <p>Published <i>With international search report.</i></p>

(54) Title: PLASMA GUN AND METHODS FOR THE USE THEREOF

(57) Abstract

A high pulse repetition frequency (PRF) plasma gun is provided, which gun inlets (74) a selected propellant gas into a column (16) formed between a center electrode (12) and a coaxial outer electrode (14), utilizes a solid state high repetition rate pulse driver (130) to provide a voltage across the electrodes (12, 14) and provides a plasma initiator (82) at the base of the column (16), which is normally operative when the driver is fully charged. For preferred embodiments, the initiator (82) includes a solid state simulated RF driver (130), the output is applied to the electrodes (91) affixed in an insulator (72) and producing a high voltage field at a surface of the insulator (72) which forms part of the base end of the column (16).



FOR THE PURPOSES OF INFORMATION ONLY

Codes used to identify States party to the PCT on the front pages of pamphlets publishing international applications under the PCT.

AL	Albania	ES	Spain	LS	Lesotho	SI	Slovenia
AM	Armenia	FI	Finland	LT	Lithuania	SK	Slovakia
AT	Austria	FR	France	LU	Luxembourg	SN	Senegal
AU	Australia	GA	Gabon	LV	Latvia	SZ	Swaziland
AZ	Azerbaijan	GB	United Kingdom	MC	Monaco	TD	Chad
BA	Bosnia and Herzegovina	GE	Georgia	MD	Republic of Moldova	TG	Togo
BB	Barbados	GH	Ghana	MG	Madagascar	TJ	Tajikistan
BE	Belgium	GN	Guinea	MK	The former Yugoslav Republic of Macedonia	TM	Turkmenistan
BF	Burkina Faso	GR	Greece	ML	Mali	TR	Turkey
BG	Bulgaria	HU	Hungary	MN	Mongolia	TT	Trinidad and Tobago
BJ	Benin	IE	Ireland	MR	Mauritania	UA	Ukraine
BR	Brazil	IL	Israel	MW	Malawi	UG	Uganda
BY	Belarus	IS	Iceland	MX	Mexico	US	United States of America
CA	Canada	IT	Italy	NE	Niger	UZ	Uzbekistan
CF	Central African Republic	JP	Japan	NL	Netherlands	VN	Viet Nam
CG	Congo	KE	Kenya	NO	Norway	YU	Yugoslavia
CH	Switzerland	KG	Kyrgyzstan	NZ	New Zealand	ZW	Zimbabwe
CI	Côte d'Ivoire	KP	Democratic People's Republic of Korea	PL	Poland		
CM	Cameroon	KR	Republic of Korea	PT	Portugal		
CN	China	KZ	Kazakstan	RO	Romania		
CU	Cuba	LC	Saint Lucia	RU	Russian Federation		
CZ	Czech Republic	LI	Liechtenstein	SD	Sudan		
DE	Germany	LK	Sri Lanka	SE	Sweden		
DK	Denmark	LR	Liberia	SG	Singapore		
EE	Estonia						

PLASMA GUN AND METHODS FOR THE USE THEREOF

Field Of The Invention

This invention relates to plasma guns and more particularly to an improved plasma gun
5 suitable for use as a space thruster or to produce radiation at selectable wavelengths, including
extreme ultraviolet (EUV), vacuum ultraviolet (VUV) and/or soft x-ray radiation at high pulse
repetition frequency bands. The invention also involves methods for utilizing such plasma guns.

Background Of The Invention

10 The improved plasma gun disclosed in U.S. Patent 5,866,871 (the Patent) finds
application in a variety of environments for performing functions which either could not be
performed previously, could not be performed well previously, or could only be performed with
relatively large and expensive equipment. These functions include thrusters for satellite or other
space station keeping and maneuvering applications, and the controlled generation of radiation
15 at selected frequencies, generally within the extreme ultraviolet (EUV) band. The plasma guns
disclosed for such applications were particularly advantageous in that they provided high
reliability and pulse repetition frequency (PRF), and in particular a plasma gun having a PRF in
excess of approximately 100 Hz and preferably a PRF in excess of 5,000 Hz for space
applications and PRFs of at least 500 Hz and preferably 1,000 Hz for lithography or other
20 applications requiring radiation generation.

In order to achieve these objectives, the plasma gun of the Patent had two general
embodiments, one for space applications or other thruster applications, and a second embodiment
for radiation generator applications. In both cases, the plasma gun involved a center electrode and
an outer electrode substantially coaxial with the center electrode, with a coaxial column being
25 formed between the electrodes. A selected gas was introduced into the column through an inlet
mechanism, and a plasma initiator was provided at the base end of the column. Finally, a solid
state high repetition rate pulsed driver was provided which was operable on pulse initiation at the
base of the column to deliver a high voltage pulse across the electrodes, the plasma expanding
from the base end of the column and off the end thereof. For the thruster embodiment, the voltage
30 of each of the pulses decreased over the duration of the pulse, and the pulse voltage and electrode
length were selected such that the voltage across the electrodes reached a substantially zero value
as the plasma exited the column. For this embodiment, the inlet mechanism preferably introduced

-2-

the gas radially from the center electrode at the base end of the column, thereby enhancing plasma velocity uniformity across the column, plasma exiting the column for this embodiment at exhaust velocities which are currently in the range of approximately 10,000 to 100,000 meters per second, the exhaust velocity varying somewhat with application.

5 For the radiation source embodiment of the invention, the pulse voltage and electrode lengths are such that the current for each voltage pulse is at substantially its maximum as the plasma exits the column. The outer electrode for this embodiment of the invention is preferably the cathode electrode and may be solid or may be in the form of a plurality of substantially evenly spaced rods arranged in a circle. The inlet mechanism for this embodiment of the invention
10 provides a substantially uniform gas fill in the column, resulting in the plasma being initially driven off the center electrode, the plasma being magnetically pinched as it exits the column, to produce a very high temperature at the end of the center electrode. A selected gas/element fed to the pinch as part of the gas, through the center electrode or otherwise, is ionized by the high temperature at the pinch to provide radiation at a desired wavelength. The wavelength is achieved
15 by careful selection of various plasma gun parameters, including the selected gas/element fed to the pinch, current from the pulse driver, plasma temperature in the area of the pinch, and gas pressure in the column. The Patent for example indicates combinations of parameters for generating radiation at a wavelength of approximately 13 nm using for example lithium vapor as the gas fed to the pinch.

20 In order for the invention to function effectively in either of the above applications, it is critical that the pre-ionization of the gas by the initiator provide an absolutely uniform pre-ionization of the gas. For the Patent, this was achieved by forming holes evenly spaced around the column, with the gas either being introduced through the holes or directed at the holes. Electrodes were provided which were preferably mounted in the holes or otherwise at the base
25 of the column, and preferably out of the column or closely adjacent thereto, which electrodes were fired to initiate plasma. The trigger electrodes were preferably evenly spaced around the base end of the column and were fired substantially simultaneously to provide uniform initiation of plasma at the base end, a DC signal being used to fire the electrodes. While this mechanism provides far more uniform plasma initiation than is possible with any prior arrangements, and is suitable for
30 most applications, there are applications, particularly when the plasma gun is being used as a radiation source, where even more uniform plasma initiation is desirable. This more uniform plasma initiation may be provided by using an RF signal to fire the electrodes. However,

-3-

currently available RF power sources such as magnetrons, klystrons or RF amplifiers are relatively expensive to operate, costing approximately \$1 per peak power watt, and are also relatively large, requiring a cabinet sized enclosure to produce for example 20 kilovolts at 8 megawatts. It would therefore be desirable if the RF signal used to fire the electrodes could be generated in a way which produced the power at lower cost, and which also permitted the RF power to be generated utilizing a compact solid state circuit which, in addition to reduced costs and substantially smaller size, also presents a significantly lower heat removal burden to the system. While a simulated RF generator of the type just described would be particularly useful in the plasma gun application of this invention, such a simulated RF power source, which does not currently exist in the art, would also be useful in other applications.

It is also desirable that the electrodes used for plasma initiation provide a high voltage field over as large an area as possible at the base of the column between the electrodes, and it is also desirable that it be possible to energize the electrodes to produce the requisite high voltage field at the base of the column without needing to bring wires into the vacuum environment of the column, the maintaining of the vacuum around such wires increasing the cost of the plasma gun.

Another problem with plasma guns is to get the requisite gas/material to the pinch which material is to be ionized to produce the desired radiation. An improved technique for holding such material and releasing it into the column to the pinch is therefore desirable.

Further, while plasma guns of the type indicated above, can serve as a radiation source and provide useful radiation at a desired wavelength, the high velocity of the plasma being driven down the column and off the center electrode can cause a problem which significantly limits the usefulness of such sources. In particular, temperatures at the pinch in the range of 100 eV (i.e., about 11,000°C) to 1000 eV, depending on the desired frequency of radiation, require magnetic compression fields which are sufficient to drive the plasma to velocities of several centimeters per microsecond. Plasmas moving at these velocities down the center conductor and off the end forming the pinch tend to continue moving out into space away from the end of the center conductor, the plasma sheath eventually losing electrical connection to the pinch. This prematurely ends the pinch after as little as 100 nanoseconds and also results in a large voltage transient in the thousands of volts range, resulting in a restrike which can severely damage the electrodes.

-4-

Since a discharge can last for several microseconds, if premature loss of electrical connection between the plasma sheath and the electrode could be eliminated, the pinch lifetime could be extended dramatically and the potentially damaging restrike eliminated. This could result in significantly increased output efficiency for the plasma source and a greatly expanded electrode lifetime for the source, thus reducing source down time and maintenance, both of which can be expensive in for example a lithographic application. Significantly better performance at lower costs can thus be obtained.

Finally, it is desirable to achieve as uniform a breakdown as can be achieved, and techniques for enhancing such uniformity of breakdown, particularly by use of an enhanced drive signal are desirable.

A need therefore exists for an improved plasma gun and method for the use thereof which provides more uniform plasma initiation at lower cost than is possible in prior art systems, which facilitates introduction of the material to be ionized at the pinch into the column, which prevents premature ending of the pinch and/or restrike and which provides more uniform breakdown when high voltage is applied across the main electrodes.

Summary Of The Invention

In accordance with the above, this application provides a high PRF plasma gun having a center electrode, an outer electrode substantially coaxial with the center electrode to form a coaxial column between the electrodes having a closed base end and an open exit end, an inlet mechanism for introducing a selected gas into the column, a plasma initiator at the base end of the column, a solid state simulated RF source selectively connected to drive the plasma initiator, and a solid state, high repetition rate pulsed driver operable on plasma initiation at the base of the column for delivering a high voltage pulse across the electrodes, the plasma expanding from the base end of the column and off the exit end thereof. The RF source may for example operate at a frequency in the range of 10 MHZ to 1,000 MHZ and may be used either alone or in conjunction with a DC source.

The simulated RF source may include an N stage non-linear magnetic pulse compressor, where N is an integer ≥ 1 ; a solid state switch selectively operable for connecting an energy storage device to an input of a first stage of the compressor; an output stage having a resonant circuit at the RF frequency F to be simulated, the resonant circuit including a capacitor C_R and

-5-

a saturable reactor L_R , a last stage of the compressor having a capacitance C_N , at least one of C_R and L_R being selected so that there is a reverse voltage on C_N before C_R is fully charged; L_R successively saturating to cause oscillating of C_R at frequency F ; and a coupling circuit for coupling energy from C_R to drive the plasma initiator. For preferred embodiments, the solid state switch is an SCR, an IGBT or a MOSFET. C_R may be selected such that $C_R > C_N$ or L_R may be selected such that it saturates before transfer of charge from C_N to C_R is completed. The output stage is preferably a resonant saturable shunt to ground and the coupling circuit preferably has an impedance such that only a fraction of the energy stored in C_R is coupled to the plasma initiator during each oscillating cycle of C_R . For preferred embodiments, L_R and C_R are selected such that there are only three to four oscillating cycles of the output stage for each plasma initiation. The solid state simulated RF source described above may also be utilized independent of the high PRF plasma gun application.

The plasma gun of this invention, either in addition to or instead of having the solid state simulated RF source, may also have a plurality of electrodes affixed to an insulator and spaced substantially uniformly about the column, the electrodes producing a high voltage field at a surface of the insulator which surface is at the base end of the column. For at least one embodiment of the invention, the insulator surrounds the center electrode at a base end thereof, and the electrodes are mounted to the insulator near the base end of the column. For another embodiment, the insulator forms a base of the column and the electrodes are mounted in the insulator on a side thereof outside the column and spaced a short distance from the column by the insulator, energizing of the electrodes producing a high voltage field on the side of the insulator in the column.

Another feature of the invention which may be utilized either in conjunction with the prior features or independent thereof, is to form at least one of the center electrode and the outer electrode of a sintered powder refractory metal, both electrodes being formed of such a sintered powder refractory metal for a preferred embodiment. When a plasma gun is operating as a radiation source at a selected wavelength, the at least one electrode may be saturated with a fluid (i.e., liquid or gas) material suitable for generating radiation at such wavelengths. For certain embodiments of the invention, this fluid is liquid lithium. A preferred embodiment of the invention includes a mechanism which provides fluid material to the at least one electrode on a substantially continuous basis.

Another feature of the invention, which again may be utilized either alone or in combination with one or more of the prior features, is for the pulse driver to provide a high voltage spike followed by a lower voltage, longer duration sustainer signal, most of the driver energy being provided by the sustainer signal. The pulse driver may include a first non-linear magnetic pulse driver for generating the high voltage spike and a second non-linear magnetic pulse driver for generating the sustainer signal. The second driver may have at least two stages, a saturable reactor of a last of the stages being normally biased to prevent the spike from the first driver entering the second driver, the spike partially desaturating the reactor to inhibit initial flow from the second driver until the reactor again saturates to pass the sustaining signal.

Still another feature of the invention, which again may be utilized either alone or in combination with one or more of the prior features, is the provision of a high PRF radiation source at a selected wavelength, which source includes a center electrode, an outer electrode substantially coaxial with the center electrode, a coaxial column being formed between the electrodes, which column has a closed base end and an open exit end; an inlet mechanism for introducing a selected gas into the column; a plasma initiator at the base end of the column; a solid state high repetition rate pulse driver operable on plasma initiation at the base of the column for delivering a voltage pulse across the electrodes, the plasma expanding from the base end of the column and off the exit end thereof; the pulse voltage and electrode lengths being such that the current for each pulse is at substantially its maximum as the plasma exits the column; the inlet mechanism providing a substantially uniform gas fill in the column, resulting in the plasma being initially driven off the center electrode, the plasma being magnetically pinched as it exits the column, raising the temperature at the end of the center electrode sufficient to cause an ionizable element appearing at the end of the center electrode to produce radiation at at least the selected wavelength; and a component for redirecting plasma driven off the center electrode back toward the center electrode without substantially affecting passage of the radiation. For preferred embodiments, the component which redirects is a shield of a high temperature, non-conductive material positioned a selected distance from the exit end of the center electrode and shaped to reflect plasma impinging thereon back toward the center electrode, the shield having an opening positioned to permit the radiation to pass therethrough. For preferred embodiments, the selected distance that the shield is spaced from the center electrode is no more than approximately $2R$, where R is the radius of the center electrode, and is not less than approximately R . The shape of the shield may for example be generally spherical, generally conical, or generally parabolic. The

-7-

opening for permitting passage of radiation is preferably substantially circular and located at substantially the center of the shield. More specifically, the opening is sized and positioned such that radiation exiting the center electrode at an angle of $\pm 15^\circ$ from the axis of the center electrode passes through the opening. The material for the shield is preferably at least one of a high temperature ceramic, glass, quartz and/or sapphire, the material for a preferred illustrative embodiment being Al_2O_3 (aluminum oxide).

The foregoing and other objects, features and advantages of the invention will be apparent from the following more particular description of preferred embodiments of the invention as illustrated in the accompanying drawings and otherwise discussed herein.

10

In The Drawings

Fig. 1 is a semi-schematic, semi cutaway side view of a first illustrative thruster embodiment of the invention;

Fig. 2 is a semi-schematic, semi-cutaway side view of alternative thruster embodiment of the invention;

Fig. 3 is semi-schematic, semi cutaway side view of a radiation source embodiment of the invention;

Fig. 4 is an enlarged cutaway view (not to scale) of the center electrode of Fig. 3 for one embodiment of the invention;

Fig. 5 is a semi-schematic, side cutaway view of an embodiment of the invention, which, depending on relative dimensions and other factors may be used either as a thruster or radiation source, having an RF initiator in accordance with the teachings of this invention;

Fig. 6 is a schematic representation of a further implementation for obtaining RF initiation in a plasma gun of this invention;

Fig. 7A is a schematic diagram of a solid state simulated RF source suitable for use as an RF source to drive a plasma initiator;

Figs. 7B and 7C are diagrams illustrating the voltage across certain capacitors in the circuit of Fig. 7A;

Figs. 8A and 8B are cutaway partial side views of a portion of a plasma gun illustrating two different initiator electrode configurations suitable for use in applying initiator voltage to the plasma gun;

-8-

Fig. 9A is a schematic diagram of a pulse driver circuit suitable for use in driving the plasma guns of this invention in accordance with an alternative embodiment; and

Fig. 9B is a diagram of an illustrative output signal from the circuit of Fig. 9A.

Figs. 10A-10C are enlarged side sectional views illustrating the end of the center electrode and a shield for a spherical, conical and parabolic embodiment of the invention, respectively.

Detailed Description

Referring first to Fig. 1, the thruster 10 has a center electrode 12, which for this embodiment is the positive or anode electrode, and a concentric cathode, ground or return electrode 14, a channel 16 having a generally cylindrical shape being formed between the two electrodes. Channel 16 is defined at its base end by an insulator 18 in which center electrode 12 is mounted. Outer electrode 14 is mounted to a conductive housing member 20 which is connected through a conductive housing member 22 to ground. Center electrode 12 is mounted at its base end in an insulator 24 which is in turn mounted in an insulator 26. A cylindrical outer housing 28 surrounds outer electrode 14 and flares in area 30 beyond the front or exit end of the electrodes. The electrodes 12 and 14 may for example be formed of thoriated tungsten, titanium or stainless steel.

A positive voltage may be applied to center electrode 12 from a dc voltage source 32 through a dc-dc inverter 34, a nonlinear magnetic compressor 36 and a terminal 38 which connects to center electrode 12. Dc-dc inverter 34 has a storage capacitor 42, which may be a single large capacitor or a bank of capacitors, a control transistor 44, a pair of diodes 46 and 48 and an energy recovery inductor 50. Transistor 44 is preferably an insulated-gate bipolar transistor. Inverter 34 is utilized in a manner known in the art to transfer power from dc source 32 to nonlinear magnetic compressor 36. As will be discussed later, inverter 34 also functions to recover waste energy reflected from a mismatched load, and in particular from electrodes 12 and 14, to improve pulse generation efficiency.

Nonlinear magnetic compressor 36 is shown as having two stages, a first stage which includes a storage capacitor 52, a silicon controlled rectifier 54 and an inductor or saturable inductor 56. The second stage of the compressor includes a storage capacitor 58 and a saturable inductor 60. Additional compression stages may be provided if desired to obtain shorter, faster rising pulses and higher voltages. The manner in which nonlinear magnetic compression is accomplished in a circuit of this type is discussed in U.S. Patent 5,142,166 and the description

of this patent is incorporated herein by reference. Basically, circuit 36 uses the saturable cores as inductors in a resonance circuit. The core of each stage saturates before a significant fraction of the energy stored in the capacitors of the previous stage is transferred. The nonlinear saturation phenomenon increases the resonance frequency of the circuit by the square root of the decrease of the permeability as the core saturates. Energy is coupled faster and faster from one stage to the next. It should be noted that compression circuit 36 is efficient at transferring power in both directions since it not only acts to upshift the frequency in the forward direction, but also downshifts the frequency as a voltage pulse is reflected and cascades back up the chain. Energy which reflects from the mismatched load/electrodes can cascade back up the chain to appear as a reverse voltage being stored in capacitor 42 and to be added to the next pulse. In particular, when the reflected charge is re-commuted into initial energy storage capacitor 42, current begins to flow in the energy recovery inductor 50. The combination of capacitor 42 and coil 50 forms a resonant circuit. After a half point [where $t = \pi / (L_{50} C_{42})^{1/2}$], the polarity of the voltage on capacitor 42 has been reversed, and this energy will reduce the energy required to recharge this capacitor from voltage source 32.

The drive circuits shown in Fig. 1 can also be matched to very low impedance loads and can produce complicated pulse shapes if required. The circuits are also adapted to operate at very high PRFs and can be tailored to provide voltages in excess of one Kv.

Propellant gas is shown in Fig. 1 as being delivered from a line 64, through a valve 66 under control of a signal on line 68, to a manifold 70 which feeds a number of inlet ports 72 in housing 28. There may, for example be four to eight ports 72 spaced substantially evenly around the periphery of housing 28 near the base end thereof. Ports 72 feed into holes 74 formed in electrode 14 which holes are angled to direct the propellant radially and inwardly toward the base of channel 16 near center electrode 12. Propellant gas may also be fed from the rear of channel 16.

Thruster 10 is designed to operate in space or in some other low pressure, near vacuum environment, and in particular at a pressure such that breakdown occurs on the low pressure side of the Paschen curve. While the pressure curve for which this is true will vary somewhat with the gas being utilized and other parameters of the thruster, this pressure is typically in the 0.01 to 10 Torr range and is approximately 1 Torr for preferred embodiments. For pressures in this range, increasing pressure in a region reduces the breakdown potential in that region, therefor enhancing the likelihood that breakdown will occur in such region. Therefor, theoretically,

-10-

merely introducing the propellant gas at the base of column 16, and therefor increasing the pressure at this point, can result in breakdown/plasma initiation, occurring at this point as desired.

However, as a practical matter, it is difficult both to control the gas pressure sufficiently to cause predictable breakdown and to have the pressure sufficiently uniform around the periphery of column 16 for breakdown to occur uniformly in the column rather than in a selected section of the column.

At least two things can be done to assure that plasma initiation occurs uniformly at the base of column 16 and that such breakdown occurs at the desired time. To understand how these breakdown enhancements are achieved, it should be understood that the plasma guns of this invention typically operate at pressures between .01 Torr and 10 Torr, and in particular, operate at pressures such that breakdown occurs on the low pressure side of the Paschen curve. For preferred embodiments, the pressure in column 16 is at approximately 1 Torr. In such a low pressure discharge, there are two key criteria which determine gas breakdown or initiation:

1. Electric field in the gas must exceed the breakdown field for the gas which depends on the gas used and the gas pressure. The breakdown field assumes a source of electrons at the cathode 14 that is known as the Paschen criteria. In the low pressure region in which the gun is operating, and for the dimensions of this device, the breakdown electric field decreases with increasing pressure (this occurring on the low pressure side of the Paschen curve). Therefore, breakdown occurs in column 16 at the point where the gas pressure is highest.

2. Second, there must be a source of electrons. Even if the average electric field exceeds the breakdown field, nothing will happen until the negative surface begins to emit electrons. In order to extract electrons from a surface, one of two conditions must occur. For the first condition, a potential difference must be produced near the surface which exceeds the cathode fall or cathode potential. The cathode fall/cathode potential is a function of gas pressure and of the composition and geometry of the surface. The higher the local gas pressure, the lower the required voltage. A re-entrant geometry such as a hole provides a greatly enhanced level of surface area to volume and will also reduce the cathode fall. This effect, whereby a hole acts preferentially as an electron source with respect to adjacent surface, is denoted the hollow cathode effect. The second condition is that a source of electrons can be created by a surface flashover trigger source. These conditions may be met individually or both may be employed. However, the voltage across the electrodes should be less than the sum of the gas breakdown potential and cathode fall potential to prevent spurious initiation.

-11-

Thus, in Fig. 1, a plurality of holes 74 are formed in cathode 14 through which gas is directed to the base of column 16, which holes terminate close to the base of the column. For preferred embodiments, a plurality of such holes would be evenly spaced around the periphery of column 16. The gas entering through these holes, coupled with the hollowed cathode effect resulting from the presence of these holes, results in significantly increased pressure in the area of these holes near the base of column 16, and thus in plasma initiation at this place in the column. While this method of plasma initiation is adequate for plasma initiation in some applications, for most applications of the plasma gun of this invention, particularly high PRF applications, it is preferable that trigger electrodes also be provided in the manner described for subsequent embodiments so that both conditions are met to assure both the uniformity and timeliness of plasma initiation.

When thruster 10 is to be utilized, valve 66 is initially opened to permit gas from a gas source to flow through manifold 70 into holes 74 leading to channel 16. Since valve 66 operates relatively slowly compared to other components of the system, valve 66 is left open long enough so that a quantity of gas flows into channel 16 sufficient to develop the desired thrust through multiple plasma initiations. For example, the cycle time of a solenoid valve which might be utilized as the valve 66 is a millisecond or more. Since plasma bursts can occur in two to three microseconds, and since gas can typically flow down the length of the 5 to 10 cm electrodes used for thrusters of preferred embodiments in approximately 1/4000th of a second, if there was only one pulse for each valve cycle, only about 1/10 of the propellant gas would be utilized. Therefore, to achieve high propellant efficiency, multiple bursts or pulses, for example at least ten, occur during a single opening of the valve. During each individual burst of pulses, the peak power would be in the order of several hundred kilowatts so as to create the required forces. The peak PRF is determined by two criteria. The impulse time must be long enough so that the plasma resulting from the previous pulse has either cleared the thruster exit or recombined. In addition, the impulse time must be shorter than the time required for cold propellant to travel the length of the electrodes. The latter criteria is determined to some extent by the gas utilized. For argon, with a typical length for the column 16 of 5 cm, the time duration for propellant to spread over the thruster electrode surface is only 0.1 msec, while for a heavier gas such as xenon, the time increases to approximately 0.2 msec. Therefore, a high thruster pulse repetition rate (i.e. approximately 5,000 pps or greater) will enable the plasma gun to achieve a high propellant efficiency approaching 90%. The burst lengths of the pulses during a single valving of the fluid

-12-

can be varied from a few pulses to several million, with some fuel being wasted and a lower propellant efficiency therefor being achieved for short burst lengths. Therefor, if possible, the burst cycle should be long enough to allow at least full use of the propellant provided during a minimum-time cycling of the valve 66.

5 Before the propellant reaches the end of column 16, gate transistor 44 is enabled or opened, resulting in capacitor 58 becoming fully charged to provide a high voltage across the electrodes (400 to 800 volts for preferred embodiments) which, either alone or in conjunction with the firing of a trigger electrode in a manner to be described later results in plasma initiation at the base of column 16. This results in a sheath of plasma connecting the inner and outer
10 conductors, current flowing readily between the electrodes through the plasma sheath, and creating a magnetic field. The resulting magnetic pressure pushes axially on the plasma sheath providing a $J \times B$ Lorentz force which accelerates the plasma mass as it moves along the electrodes. This results in a very high plasma velocity, and the electrode length and initial charge are selected such that the rms current across the electrodes which initially increases with time and
15 then decreases to zero, and the voltage which decreased as capacitor 58 discharges, both return to zero just as the plasma is ejected from the tip of the electrodes. When the plasma reaches the end of the coaxial structure, essentially all of the gas has been entrained or drawn into the plasma and is driven off the end of the electrodes. This results in maximum gas mass and thus maximum momentum/thrust for each pulse. If the length of the structure has been chosen so that the
20 capacitor is fully discharged when the plasma exits the electrode, then the current and voltage are zero and the ionized slug of gas leaves thruster 10 at a high velocity. Exhaust velocity in for example the range of 10,000 to 100,000 meters/second can be achieved with thrusters operating in this manner, with the exhaust velocity utilized being optimum for a given thruster application. Flared end 30 of the thruster, by facilitating controlled expansion of the exiting gases allows for
25 some of the residual thermal energy to be converted to thrust via isentropic thermodynamic expansion, but this effect has been found to be fairly negligible and tapered portion 30 is not generally employed. In fact, except for protection of electrode 12, which is not generally required in space, the weight of thruster 10 may be reduced by completely eliminating housing 28. A pulse burst may be terminated by disabling gate transistor 44 or by otherwise separating source
30 32 from circuit 36.

Fig. 2 illustrates an alternative embodiment thruster 10' which differs in some respects from that shown in Fig. 1. First, nonlinear magnetic compressor 36 has been replaced by a single

-13-

storage capacitor 80, which in practical applications would typically be a bank of capacitors to achieve a capacitance of approximately 100 microfarads. Second, cathode 14 tapers slightly towards its exit end. Third, spark plug-like trigger electrodes 82 are shown as being positioned in each of the holes 74 with a corresponding drive circuit 86 for the trigger electrodes; an internal
5 gas manifold 72' formed by a housing member 77 is provided to feed propellant gas to holes 74, a gas inlet hole (not shown) being provided in member 77, and gas outlet holes 84 are shown formed in insulator 24 and in center electrode 12. As for the embodiment of Fig. 1, there would typically be a plurality of holes 74, for example four to eight, evenly spaced around the periphery of cathode 14, with a trigger electrode 82 in each hole 74, and a gas outlet or outlets 84 preferably
10 opposite each hole 74 and directing gas thereat. For reasons to be discussed later, most of the gas inlet to chamber 16 flows from a suitable source, which may be the same source as for manifold 72' and holes 74, through outlets 84 and into the chamber near center electrode 12, gas flowing through holes 74 being primarily to facilitate ignition by the trigger electrodes.

While the capacitor 80 may be utilized in some applications in lieu of nonlinear magnetic
15 compressor circuit 36 in order to store voltage to provide high voltage drive pulses, such an arrangement would typically be used in applications where either lower PRFs and or lower voltages are required, since compressor 36 is adapted to provide both shorter and higher voltage pulses. Circuit 36 also provides the pulses at a time determined by the voltage across capacitor 58 and a saturation of nonlinear coil 60, which is a more predictable time than can be achieved
20 with capacitor 80, which basically charges until breakdown occurs at the base of column 16 permitting the capacitor to discharge.

Trigger electrodes 82 are fired by a separate drive circuit 86 which receives voltage from source 32, but is otherwise independent of inverter 34 and either compressor 36 or capacitor 80. Drive circuit 86 has two non-linear compression stages and may be fired in response to an input
25 signal to SCR 87 to initiate firing of the trigger electrodes. The signal to SCR 87 may for example be in response to detecting the voltage or charge across capacitor 80 and initiating firing when this voltage reaches a predetermined value or in response to a timer initiated when charging of capacitor 80 begins, firing occurring when a sufficient time has passed for the capacitor to reach the desired value. With a compressor 36, firing could be timed to occur when inductor 60
30 saturates. Controlled initiation at the base of the column 84 is enhanced by the re-entrant geometry of hole 74, and also by the fact that channel 16 is narrower at the base end thereof.

-14-

further increasing pressure in this area and thus, for reasons previously discussed, assuring initiation of breakdown in this area.

Each trigger electrode 82 is a spark-plug like structure having a screw section which fits in an opening 89 in housing 77 and is screwed therein to secure the electrode in place. The forward end of electrode 82 has a diameter which is narrower than that of the opening so that propellant gas may flow through hole 74 around the trigger electrode. For example, the hole may be 0.44 inches in diameter while the trigger electrode at its lowest point is 0.40 inches. The trigger element 91 of the trigger electrode extends close to the end of hole 74 adjacent column 16, but preferably does not extend into column 16 so as to protect the electrode against the plasma forces developed in column 16. The end of the electrode may, for example, be spaced from the end of hole 74 by a distance roughly equal to the diameter of the hole (7/16").

While trigger electrode 82 and plasma electrodes 12 and 14 are both fired from common voltage source 32, the drive circuits for the two electrodes are independent and, while operating substantially concurrently, produce different voltages and powers. For example, while the plasma electrodes typically operate at 400 to 800 volts, the trigger electrode may have a 5 Kv voltage thereacross. However, this voltage is present for a much shorter time duration, for example, 100 ns, so that the energy is much lower, for example 1/20 Joule.

Another potential problem with thrusters of the type shown in Figs. 1 and 2 is that the Lorenz forces across column 16 are not uniformed, being greatest near center electrode 12 and decreasing more or less uniformly outward therefrom to the cathode outer electrode 14. As a result, gas plasma exits along an angled front, with gas exiting first from the center electrode and later for gas extending out toward the outer electrode. The outer electrode 14 could therefor be shorter to facilitate gas exiting the thruster uniformly across the thruster, although this is not done for preferred embodiments. The taper of this outer electrode is for the same reason as the taper in region 30 of housing 28 and is optional for the same reasons discussed in connection with this tapered region.

The problem of uneven velocity in column 16 is also dealt with in Fig. 2 by having most of the gas enter column 16 from and/or near the center electrode through holes 89, thereby resulting in a greater mass of gas at the center electrode than at the outer electrode. If this is done carefully so that the greater mass near the center electrode offsets the greater accelerating forces thereat, a more nearly uniform velocity can be achieved radially across column 16 so that

-15-

gas/plasma exits uniformly (i.e. with a front perpendicular to the electrodes) off the end of the thruster. This correction is one reason why a shorter outer electrode is not generally required.

Except for the differences discussed above, the thruster of Fig. 2 operates in the same way as the thruster of Fig. 1. Further, while a single thruster is shown in the figures, in a space or other application, a plurality of such thrusters, for example twelve thrusters, could be utilized, each operating at less than 1 Joule/pulse and weighing less than 1 kg. All the thrusters would be powered by a central power supply, would use a central control system and would receive propellant from a common source. The latter is a particular advantage for the thruster of this invention in that maneuvering life of a space vehicle utilizing the thruster is not dictated by the fuel supply for the most frequently used thruster(s) as is the case for some solid fuel thrusters, but only by the total propellant aboard the vehicle.

Fig. 3 shows another embodiment of a plasma gun in accordance with the teachings of this invention, which gun is adapted for use as a radiation source rather than as a thruster. This embodiment of the invention uses a driver like that shown in Fig. 1 with a dc-dc inverter 34 and a nonlinear magnetic compressor 36, and also has a manifold 72' applying gas through holes 74 of the cathode and around trigger electrodes 82. However, for this embodiment, propellant gas is not inputted from center electrode 12. The cathode electrode also does not taper for this embodiment of the invention and is of substantially the same length as the center electrode 12. The length of the electrodes 12 and 14 are also shorter for this embodiment of the invention than for the thruster embodiments so that gas/plasma reaches the end the electrodes/column when the discharge current is at a maximum. Typically, the capacitor will be approaching the one-half voltage point at this time. Further, for the radiation source application, outer electrode 14 may be solid or perforated. It has been found that best results are typically achieved with an outer electrode that consists of a collection of evenly spaced rods which form a circle. With the configuration described above, the magnetic field as the plasma is driven off of the end of the center electrode creates a force that will drive the plasma into a pinch and dramatically increase its temperature. The higher the current, and therefore the magnetic field, the higher will be the final plasma temperature. There is also no effort to profile the gas density so as to achieve more uniform velocity across column 16 and a static, uniform, gas fill is typically used. Therefore, the gas need not be introduced at the base end of column 16, although this is still preferred. The gas not being profiled results in the velocity being much higher at center conductor 12 than at the outer conductor 14. The capacitance at the driver, gas density and electrode length are adjusted

to assure that the plasma surface is driven off the end of the center electrode as the current nears its maximum value.

Once the plasma is driven off the end of the center conductor, the plasma surface is pushed inward. The plasma forms an umbrella or water fountain shape. The magnet field of the current flowing through the plasma column immediately adjacent the tip of the center conductor provides an inward pressure which pinches the plasma column inward until the gas pressure reaches equilibrium with the inward directed magnetic pressure.

Temperatures more than 100 times hotter than surface of the sun can be achieved at the pinch using this technique. Radiation of a desired wavelength is obtained from the plasma gun by introducing an element, generally in gas state, having a spectrum line at that wavelength at the pinch. While this may be achieved by the plasma gas functioning as the element, or by the element being introduced at the pinch in some other way, for a preferred embodiment, the element is introduced through a center channel 92 formed in electrode 12. Center electrode 12 is preferably cooled at its base end by having cooling water, gas or other substance flow over the portion of the housing in contact therewith. This provides a large temperature gradient with the tip of the cathode which, when a plasma pinch occurs, can be at a temperature of approximately 1,200°C. In particular, at high temperatures, radiation intensity is inversely proportional to the fourth power of wavelength (i.e., intensity $\approx 1/\lambda^4$; $= (f/c)^4$; where λ = the wavelength of the desired radiation, f = the frequency of the desired radiation, and c = speed of light). Thus, for a given gas/element being fed through channel 92 to the pinch or otherwise delivered to the pinch, maximum intensity is obtained for the shortest wavelength signal radiated from the element, during decay from the 2P→1S state which signal is obtained for atoms of the element in their single electron state (i.e., atoms which have been raised to such a high energy state that all but one atom have been removed from the molecule). For atoms in the single electron state, the wavelength λ is given by ($\lambda = 121.5 \text{ nm}/N^2$, where N is the atomic number of the element in chamber 92 which is being vaporized). Using this equation, the wavelengths having the highest energy for the first six elements of the periodic table are indicated in Table 1 below:

Table 1		
Element	Atomic Number	λ_{OPT}

-17-

H	1	121.5 nm
He	2	30.375 nm
Li	3	13.5 nm
Be	4	7.6 nm
B	5	4.86 nm
C	6	3.375 nm

To the extent gas applied through channel 92 is not fully converted to its single electron state, and even at the temperatures existing at the pinch most of the gas will not generally be ionized to this state, radiation will also be outputted at the other spectrum wavelengths for the element; however, as is apparent from the above equation, these radiations will be at much lower intensity, the intensity being a small fraction of the intensity for the single electron state. Thus, for example, xenon with an atomic number of 54 has a single electron wavelength of .04 nm which is of little value, but also has, as will be discussed shortly, energy at a wavelength of 13 nm which is useful. However, the energy at 13 nm is $1/10^{10}$ of the energy at the single electron wavelength for a temperature at the pinch optimized for the single electron state and still generally orders of magnitude lower even at lesser pinch temperatures. This is because it is never possible to force more than a small fraction of the energy ($\leq 1/4$) to be emitted solely at 13 nm because of the shape of the black body emission curve relied on to determine the amplitude of relative lines and the temperature vary significantly.

Therefore, to use radiation at a wavelength other than the optimum single electron wavelength for an element, it is necessary to filter out the shorter wavelengths also being radiated for the element, which wavelengths are at much higher intensity. Fig. 3 shows one way of doing this wherein the radiation 94 being emitted from plasma gun 90 is applied to a mirror 96 of a type known in the art which is constructed to absorb all wavelengths of radiation except the desired wavelength, which wavelength is reflected toward the desirable target. Other filters, which are at least high pass filters for the desired wavelength and above might also be used.

Thus, if possible, it is desired to use an element for the gas or other element supplied to channel 92 which produces radiation at the desired wavelength in its highest energy single electron state. However, where either an element which emits radiation at a desired wavelength in its single electron state does not exist, and from Table 1 it is seen that above about 7.6 nm very

-18-

few wavelengths are in fact available for elements in their maximum energy state, then an element must be found which emits radiation at the desired wavelength and a suitable filter, such as the filter mirror 96, utilized to obtain radiation at the desired wavelength. Since this radiation will be at far lower intensity than for radiation at the single-electron state wavelength, a larger and generally more costly device 90 would generally be required to obtain sufficient energy at the lower intensity wavelength. The radiation intensity at a given wavelength is given in terms of watts/meter²/hertz and varies both as a function of the frequency or wavelength of the radiation, the temperature and the emissivity. Emissivity is a function which has a maximum value of one and it is important to choose a gas which has a maximum emissivity at the desired output frequency/wavelength. The optimum pinch temperature (T_{OPT}) for a given wavelength λ can be determined from Wiens displacement law, $T_{OPT}=0.2898 \text{ cm} \times K^\circ/\lambda$ where K° is the temperature of the plasma in Kelvin. Xenon may be flowed at a relatively slow rate through channel 90, since only a very small quantity of the gas is ionized to produce radiation during each pinch, to obtain 13 nm radiation. However, as discussed earlier, if xenon is used, the output radiation at 13 nm will be at relatively low intensity, and a filter such as filter 96 will be required to obtain useful radiation at this wavelength. For this reason, lithium, which from Table 1 can be seen to have a maximum intensity wavelength substantially at the desired wavelength (i.e., at 13.5 nm), is the preferred element for radiation at this wavelength.

Fig. 4 illustrates a center electrode 12 for an embodiment utilizing lithium vapor to produce the desired radiation. Referring to this Figure, a solid lithium core 98 is held in a tube 100 of a material such as stainless steel, the tip of tube 100 being at a point along the center electrode near the tip which, during a plasma pinch, is at a temperature of approximately 900°C, resulting in the production of lithium vapor at a pressure of about 1 Torr off the end of lithium core 98. This lithium vapor flows out of hole 102 in the end of electrode 12 at a rate which displaces the argon or other plasma gas at the tip, this required flow rate being in the range of approximately 1-10 grams per year for an illustrative embodiment. Tube 100 may be slowly advanced in a suitable way to keep the forward tip of lithium core 98 at the appropriate locations. When core 98 is used up, it may be replaced. A small amount of helium gas is preferably fed around tube 100 and out opening 102 to assure that only lithium and helium are present at the pinched zone, since argon, even in small quantities, would introduce higher energy, shorter

wavelength lines which, if not filtered, could interfere with the 13 nm radiation at the desired target.

Another way to get the lithium or other suitable material to the pinch is to form at least one of center electrode 12 and outer electrode 14 of a sintered powder refractory metal saturated with liquid lithium or with some other suitable material in a fluid (i.e., liquid or gas) state. A metal such tungsten or molybdenum can be fabricated into the desired electrode shape by pressing the powdered refractory material, such as tungsten, with an appropriate bonding agent and then sintering the resulting mass at high temperatures. The resulting porous refractory metal matrix can be impregnated with the liquid lithium or other desired material, providing improved lifetime and an alternative means of introducing the lithium/material into the discharge. Liquid lithium could be constantly supplied to the metal matrix of the electrodes during operation if desired so as to provide a substantially infinite lifetime for the process without need to replace the radiation generating material. One constraint in selecting the powdered refractory metal is to assure that the metal is not soluble in the radiation generating material being wicked therein.

If xenon is used to obtain the 13 nm radiation, it must be confined to the immediate vicinity of the pinch because it is so absorptive at that wavelength. Where the radiation used is at a wavelength other than the single electron wavelength for the element/gas in column 92, as is the case for xenon, the temperature at the pinch may be controlled so as to ionize less of the element to its single electron state, thereby providing more radiation at the longer wavelengths and less radiation, although still much higher intensity radiation, at the shorter wavelength.

It is also desirable that the cone angle for the emitted radiation be as small as possible. Small cone angle is achieved when the stimulated emission of radiation from the radiating gas at the pinch is much larger than the spontaneous emission, spontaneous emission being more dispersive. In particular, if it is assumed that the Boltzmann constant k times the temperature at the pinch is much larger than the frequency of the radiation f times the Planck constant h , then the ratio of spontaneous emission B to stimulated emission A is given as $(B/A = kT/hf)$. For example, when this ratio equals 20 (i.e., the plasma temperature is 20 times the photon energy of interest), then the half cone angle is approximately 25° . The higher the plasma temperature, the narrower the cone angle; however, the shorter the wavelength of the radiation, the harder it is to achieve narrow cone angles. However, cone angle is one more factor to be taken into account in selecting current and other parameters to achieve a desired temperature at the pinch.

-20-

Fig. 5 illustrates another embodiment of the invention which, depending on factors such as electrode length and whether or not a radiation emitting element/gas is introduced through the center electrode 12, may be used as a thruster, radiation source, or other function for which plasma guns are utilized. The plasma gun is shown as being driven by a main solid state driver 110 which, for preferred embodiments, includes voltage source 32, DC/DC converter 34, and NMC 36. However, while this embodiment utilizes spark plugs 82 set in holes 74 for plasma initiation, it differs from prior embodiments in that the spark plug or other electrode is driven from a pulsed RF source 112 through a DC blocking capacitor 114 and a resonant coaxial line 116 which functions as a matching transformer. For preferred embodiments, the RF signal is at a frequency of 10 MHz to 1,000 MHz and is energized approximately 1 to 10 microseconds prior to energization of main driver 110. Figure 5 also shows an optional DC bias source 118 which is connected through an AC filter coil 120 to center electrode 12. Source 118 may be voltage source 32, generally applied through a shaping and control circuit such as circuit 86, or may be a separate source depending on application.

While in Fig. 5 only two trigger electrodes or spark plugs 82, 91 are shown which are positioned on opposite sides of cavity 16, a plasma gun would preferably have at least four, and could have six or eight (or possibly more) electrodes evenly spaced around the periphery of channel 16. With four electrodes, the RF signal applied to the electrodes shown would be at a first phase, and the RF signal applied to the electrodes at 90° to those shown would be at a second phase 90° out of phase with the first phase. For a plasma gun having six trigger electrodes, a three phase RF signal would be used, with each phase being applied to a pair of electrodes on opposite sides of chamber 16. With eight electrodes a two phase signal would preferably be utilized, with one phase being applied to every other electrode and the second phase to the ones in between, a four phase signal could also be used. The reason for using an RF rather than a DC signal for plasma initiation is that it has been found that RF applied to the initiator electrodes results in a more uniform, and nearly perfectly uniform, volumetric ionization or initialization in chamber 16. The DC bias from source 118, which is preferably applied simultaneously with the RF signal from source 112 in response to control signals on a line or lines 22, further contributes to the uniform ionization, particularly near the center electrode, and reduces the power requirements on RF source 112. The DC bias may be applied to the center electrode as shown,

or may be applied to electrode 84 in series or parallel with the RF signal so that, for example, the RF signal modulates the DC bias.

Fig. 6 illustrates the connection of the RF source to two electrodes/spark plugs 82, 82' which are for example positioned 90° from each other. There would be two additional electrodes/spark plugs in the plasma gun, with a second electrode 82 being positioned at 180° to the electrode 82 shown and being connected in the manner shown for the electrode 82 and a second electrode 82' being positioned 180° from the electrode 82' shown and being connected in the same manner as this electrode. Source 112 is connected through quarter waveguide coaxial lines 124, 124' to a point near a shorted end of a coaxial line 126, 126', but spaced from the shorted end by a distance L1, L2, respectively. Coaxial line 126 is a quarter wavelength long and has electrode 82 at the unshorted end thereof, while coaxial line 126' is a half wavelength long and has electrode 82' at the unshorted end thereof. With line 126 a quarter wavelength long and line 126' a half wavelength long, the desired phase difference for the RF signal at electrodes 82 and 82' is achieved. The coaxial line also provide a large voltage step-up and, if the coupling positions/distances L1, L2 are chosen correctly, will look to the source as a matched load until breakdown is achieved. Using good quality coaxial lines, voltage step-up ratios on the order of 10-20:1 can easily be achieved. Once breakdown is achieved, the line appears as a short circuit at position L1. At the input coupling to the source $\lambda/4$ away from L1, the apparent impedance looks like an open circuit. Further, if the position L2 is chosen correctly, this line will appear as a matched load once breakdown is initiated. While it is desirable to keep lines 126, 126' as short as possible, desired phase and impedance matching could generally be achieved for the line with respective lengths of $(2M-1)\lambda/4$ and $M\lambda/2$. Therefore, the RF source always sees a matched load, first creating a voltage step-up at one pair of spark plugs, and then providing a voltage step-down, but current step-up, at the second pair of spark plugs 82' once the plasma is initiated. The following Table 2 gives parameters for the RF source of Fig. 6 for an illustrative embodiment.

Table 2						
	Andrews - F5J4-50B Velocity = 0.81C			Andrews LD F4-50A Velocity = 0.88C		
	50 MHZ	150 MHZ	440 MHZ	50 MHZ	150 MHZ	440 MHZ
Attn DB/100 M	2.5	4.5	7.0	1.5	3.0	5.0

$l = \lambda/4$	1.25 M	.405 M	.13 M	1.32 M	0.44 M	0.150 M
$S(V = V_o e^{-st} e^{j\omega t})$	$2.87 \cdot 10^{-3}/M$	$5.18 \cdot 10^{-3}/M$	$8.061 \cdot 10^{-3}/M$	$1.727 \cdot 10^{-3}/M$	$3.45 \cdot 10^{-3}/M$	$5.758 \cdot 10^{-3}/M$
$P_{recirculation} = \frac{Pin}{(1 - e^{-4st})} (\lambda)$	72 · Pin	120 · Pin	225 · Pin	110 · Pin	165 · Pin	289 · Pin
$V_{rec}/V_{in}(\lambda/4)$	8.5	10.95	15	10.5	12.8	17.0
$\text{Sin}^{-1}(V_{in}/V_{out})(\lambda/4)$	6.756°	5.24°	3.82°	5.46°	4.48°	3.37°
$I_1(\lambda/4)$	$9.12 \cdot 10^{-2}M$	$2.358 \cdot 10^{-2}M$	$5.857 \cdot 10^{-3}M$	$8.00 \cdot 10^{-2}M$	$2.19 \cdot 10^{-2}M$	$5.617 \cdot 10^{-3}M$
$l_o = \lambda/2$	2.43 M	0.310 M	0.276 M	2.64 M	0.88 M	0.30 M
$\frac{Precirculate}{Pin} = \frac{l(\lambda/2)}{(1 - e^{-4st})}$	36	60	112.5	55	82.5	144.5
$\text{Sin}^{-1}(V_{in}/V_{out})(\lambda/2)$	9.59°	7.4°	5.41°	7.7°	6.32°	4.77°
$I_2(\lambda/2) M$	$12.95 \cdot 10^{-2}$	$3.33 \cdot 10^{-2}$	$0.829 \cdot 10^{-2}$	$11.29 \cdot 10^{-2}$	$3.089 \cdot 10^{-2}$	$7.95 \cdot 10^{-3}$

The RF frequency and voltage, either from the RF source alone or from both the RF source and DC bias source 118, are determined from dimensions and operating pressure to give maximum uniformity. In general, the RF frequency must be chosen to be above a critical frequency, the critical frequency being the frequency below which electrons in the gas have time to be swept across the entire electrode gap in each one half cycle, and are therefore lost. Above the critical frequency, electrons oscillate back and forth between electrodes, facilitating the ionization of the gas. The critical frequency for a given plasma gun geometry is determined by

$$\begin{aligned} & \text{Velocity} \\ & \text{of} \quad = V_{elec} = \frac{q(v_c - i\omega)E}{m(v_c^2 + \omega^2)} \\ & \text{electron} \end{aligned}$$

first computing the mobility

where v_c = collision frequency; $\omega = 2\pi f$ where f is the frequency of the radiation; q = electronic charge; E = electric field; m = electronic mass. Therefore, the time to transit the gas is given by

$$Dt = \frac{d}{V_{elec}}$$

-23-

$$f_{critical} = \frac{I}{2\pi Dt} = \frac{I V_{elec}}{2\pi d}$$

where d = distance between electrode

As for the thruster embodiments, it is required that the entire radiation source 90 be maintained in a near vacuum environment (generally a gas pressure ≤ 10 Torr), and this is further required since radiation in the EUV band is easily absorbed and cannot be used to do useful work in other than a near vacuum environment. Since propellant efficiency is not as critical for this embodiment, there may be a single radiation burst for each valving, or the valving duration and number of pulses/bursts may be selected to provide the radiation for a desired duration.

While a standard high voltage RF source 112 such as a magnetron, klystron or RF amplifier may be utilized as the RF source for the prior embodiments, as indicated previously, such standard RF sources are expensive both to purchase and to use, are bulky and produce significant heat which adds to the heat management burden of the system where utilized. It would therefore be preferable if such source could be replaced with a smaller source which is significantly less expensive both to purchase and operate and would generate significantly less heat. Fig. 7A illustrates a solid state simulated RF generator which satisfies these requirements. In particular, the circuit 130 has been found to produce RF power at a cost which is approximately 1% of that for standard RF power sources and to take up the space of a small circuit board, for example "6" or by "8", rather than a large cabinet.

Referring to Fig. 7A, circuit 130 includes a capacitor 132 which is charged in standard fashion from a voltage source, for example the voltage source 32 previously discussed. A solid state switch 134, which may for example be an SCR, IGBT or MOSFET, when closed or conducting permits capacitor 132 to discharge into the input of a multi-stage nonlinear magnetic pulse compression circuit 136, which circuit is of the type previously discussed. Circuit 136 may include multiple stages and/or transformers, one example of such configuration being shown, and terminates in a specialized output section 138. Output section 138 forms a resonant saturable shunt to ground, the resonant circuit of this section including a capacitor C_R and a saturable inductor L_R . Capacitor C_R is charged resonantly from capacitor C_N of the nth stage of nonlinear magnetic pulse compressor 130. C_N is chosen to be smaller in capacitance than C_R so that C_R

-24-

reverses during the charge of C_N . Alternatively, L_R can be chosen to saturate before the transfer of charge from C_N to C_R is completed. With either one or both of these conditions satisfied, a reverse voltage is created for C_N before L_R saturates and C_R reaches its peak charge. Under these conditions, successive saturations of L_R cause C_R to oscillate as shown in Fig. 7C. While for the plasma initiation application of this invention, only three or four cycles of the source are required as shown in Fig. 7C, the parameters of the circuit could be selected to provide a desired number of cycles, depending on application. The resonant frequency F of output section 132 is determined by the values of C_R and L_R , either one of which may be made adjustable to permit tuning of the circuit. An output coupling circuit 140 is provided consisting of a resistive element R_O and/or a capacitive element C_O , each of which may be formed of a number of elements suitably interconnected. Output coupling circuit 140 couples some of the energy out of capacitor C_R to output terminal 142, the impedance of the coupling circuit being chosen so as to remove only a fraction of the energy stored in C_R for each cycle (e.g., 20% per cycle). Further, while the circuit shown in Fig. 7A is particularly adapted for use in the plasma guns of this invention, a solid state simulated RF generator having the performance characteristics of the circuit shown in Fig. 7A does not currently exist, and such circuit may therefore also find use in other applications. This circuit is also therefore part of the invention.

Two potential problems in delivering the RF initiator signal into the plasma gun are to have the high voltage field occur over a relatively large uniform area at the base of column 16, so that breakdown occurs in this area and to get the RF field to this point with minimum disruption to the vacuum required in chamber 16. While the latter is not a problem in space applications, it is a potential problem in the more common applications of the plasma gun as a radiation source. Fig. 8A illustrates one way of accomplishing both objectives, while Fig. 8B illustrates a way of accomplishing the second objective only.

Referring first to Fig. 8A, a ceramic dielectric 150 is provided between electrodes 12 and 14 at the base of column 16. A plurality of electrodes 152 are mounted in the surface of dielectric separator 150 which is outside of channel 16 and are spaced a short distance from surface 154 of the dielectric inside column 16 by the ceramic dielectric. The thickness of dielectric between electrodes 152 and surface 154 might typically be less than 1/8th inch, and is selected to be as thin as possible while assuring that the ceramic dielectric will not crack or break. When an RF and or DC signal is applied to electrodes 152, it results in a high voltage field appearing at surface 154 to initiate the desired plasma breakdown.

-25-

The device of Fig. 8B differs from that of Fig. 8A in that the ceramic dielectric 150' is formed as a collar over the bottom portion of center electrode 12 and extending a short distance into column 16. Electrodes 152 are mounted to external surface 154' of the dielectric and the high voltage field is formed on surface 154' when an RF and/or DC signal is applied to the electrodes.

5 For applications where the entire plasma gun is not in a vacuum environment, the configuration of Fig. 8A is preferable in that it does not require an electric lead to be brought into vacuum column 16, a lead 156 being brought into the column for the embodiment of Fig. 8B.

It has also been found that more uniform breakdown can be achieved in the plasma gun by applying an initial high voltage spike to main electrodes 12 and 14 after initiation. Fig. 9A illustrates circuit for achieving the desired waveform which waveform is shown on in Fig. 9B.

10 In particular, this waveform has an initial spike 160 followed by a sustaining signal 162. The initial spike may be as much as 10 times the voltage of the sustaining signal 162, but being of much shorter duration, delivers as little as 1/10 of the energy supplied to the electrodes 12 and 14.

15 Referring to Fig. 9A, the circuit consists of a first non-linear magnetic compression circuit 164, only the last stage of which is shown in Fig. 9A, and a second non-linear magnetic compression circuit 166, only the last stage of which is also shown in the figure. Circuit 166 generates the spike signal 160 which is a high voltage short duration pulse while circuit 164 generates the sustaining signal 162 which is a lower voltage signal of much longer duration which
20 occurs at the end of spike 160. Reactor 168 for the last stage of circuit 164 is normally biased by a bias signal applied through bias winding 170 so as to be saturated in a direction to permit signal to flow from the sustainer circuit 164 but to block signal flow in the reverse direction from spiker circuit 166. Thus, this signal is not applied to circuit 164, and in particular not to capacitor 172 of the last stage thereof, thereby protecting circuit 164 from the voltage spike and assuring that
25 all of this signal is applied to electrodes 12 and 14. The spike 160 starts to reverse the bias of saturable reactor 168, partially overcoming the bias applied thereto, and simultaneously causes avalanche breakdown to occur at the electrodes. This permits the optimum voltage and drive impedance level for the main discharge chain to be chosen without concern for exceeding the breakdown voltage. The reverse bias of saturable reactor 168 provides a delay for the sustainer
30 signal from circuit 164 until the reactor resaturates, thereby providing a smooth transition between the two signals.

-26-

One problem with a plasma source of the type shown for example in Fig. 3 is that, in order to achieve the desired pinch temperatures, which are in the range of 100 eV to 1000 eV depending on the desired frequency of radiation, magnetic compression fields on the order of Tesla are required which are sufficient to drive the plasma to velocities of several centimeters per microsecond. These high velocities result in the plasma being driven down the center conductor 12 and off the end of the center conductor, the plasma sheath continuing to move out into space away from the end of the center conductor. This results in the plasma sheath eventually losing electrical connection to the pinch, thus ending the pinch and causing a large voltage transient. This voltage transient can result in a high voltage restrike which can severely damage the electrodes. The loss of electrical contact with the plasma sheath also results in a substantial decrease in output efficiency from the source, the pinch lasting for only approximately 100 ns, rather than for the substantially longer duration of the electrical discharge, which can be several microseconds (for example 2-4 microseconds).

In accordance with the teachings of this invention, this problem of plasma separation is overcome by providing a blast shield or focussing device 194 adjacent the exit end of center electrode 12 to redirect the plasma sheath back toward the center electrode. Figs. 10A-10C show three possible embodiments for such a shield or focusing device (hereinafter collectively referred to as shield) 194A, 194B, 194C which differ from each other primarily in the shape of the focusing cavity 196A, 196B, 196C respectively. In particular, cavity 196A has a generally spherical shape, the cavity being mounted by suitable mounting components (not shown) to outer electrode 14 or to suitable housing components of the source such that the walls of cavity 196A are spaced from the tip of center electrode 12 by a distance sufficient so that there is no contact between the shield and center electrode, but close enough so that redirection of the plasma back to the center electrode occurs before plasma separation. These objectives are achieved with a spacing which is generally in the range of R to $2R$, where R is the radius of center electrode 12. However, these distances may vary to some extent depending on other parameters of the source. Cavity 196B has a conical shape and cavity 196C has a parabolic shape. The parameters previously indicated for spacing of the cavity from the end of center electrode 12 apply for all three cavity shapes.

While it is desired to prevent separation of the plasma sheath and to contain the sheath with shield 194, it is important that shield 194 not interfere with the exiting of the desired radiation from source 10. Each shield 194 thus has a center opening 198A, 198B, 198C formed

-27-

at the top of a corresponding cavity and having a center coaxial with the center line of the center electrode. Opening 198 is preferably circular and has a sufficient diameter such that radiation emitted from the pinch at the tip of the center electrode at an angle of $\pm 15^\circ$, which is roughly the angle of the emitted radiation, will pass through the opening unobstructed. The upper portion of each opening 198 is tapered outward to facilitate exiting of the radiation while substantially limiting any escape of the plasma sheath.

The material of shield 194 must be a high temperature, non-conductive material capable of withstanding temperatures in the range of approximately 1000°C and higher. A variety of high temperature ceramics have the desired characteristics, with Al_2O_3 (aluminum oxide) being utilized for an illustrative embodiment. Various glasses, quartz and sapphire also have the desired characteristics to serve as the material for shield 194.

While in the discussion above, the plasma redirecting shield 194 has been illustrated for use with a particular configuration of radiation source, this shield is suitable for use with any radiation source where plasma separation is a potential problem and the invention is therefore in no way limited by the specific radiation source configuration of Fig. 3. Similarly, while three cavity configurations have been shown in Figs 10A-10C for redirecting radiation to the cathode, other cavity shapes adapted for performing this function could also be utilized. The specific materials described are also by way of illustration only.

Further, while parameters have been discussed above for producing radiations at 13 nm, radiation at other wavelengths within the EUV band, or in some cases outside this band, may be obtained by controlling various parameters of the radiation source 90, and particularly by careful selection of the element/gas utilized, the maximum current from the high voltage source, the plasma temperature in the area of the pinch, the gas pressure in the column, and in some cases the radiation filter utilized.

While a large number of gases can be used as the plasma gas for the plasma guns described above, inert gases such as argon and xenon are frequently preferred. Other gases which may be used include nitrogen, hydrazine, helium, hydrogen, and neon. As indicated above, when the plasma gun is used as a radiation source, as for the Fig. 3 embodiment, a variety of elements/gases might also be utilized to achieve selected EUV or other wavelengths, the plasma and radiation gas in some cases being the same gas. For example, H_2 gas might be selected for efficiently obtaining radiation in the VUV band at 121.5 nm. Further, while various embodiments

-28-

have been discussed above, it is apparent that these embodiments are by way of example only and are not limitations on the invention. For example, while the drivers illustrated are advantageous for the applications, other high PRF drivers having suitable voltage and rise times, and not requiring high voltage switching, might also be utilized. Similarly, while a variety of plasma initiation mechanisms have been described, with the simulated solid state RF driver electrode trigger being preferred, other methods for initiating plasma breakdown might also be utilized in suitable applications. The configurations of the electrodes and the applications given for the plasma gun are also by way of illustration. Thus, while the invention has been particularly shown and described above with respect to preferred embodiments, the foregoing and other changes in forming detail may be made therein by one skilled in the art while still remaining within the spirit and scope of the invention and the invention is only to be limited by the following claims.

What is claimed is:

CLAIMS

1. A high PRF plasma gun 10, 10', 90 including:
 - a center electrode 12;
 - an outer electrode 14 substantially coaxial with said center electrode, a coaxial column
 - 5 16 being formed between said electrodes, which column has a closed base end and an open exit end;
 - an inlet mechanism 70, 72, 74 for introducing a selected gas into said column;
 - a plasma initiator 82 at the base end of said column 16;
 - a solid state simulated RF source 130, selectively connected to drive said plasma initiator
 - 10 82; and
 - a solid state, high repetition rate pulsed driver 32, 34, 36 operable on plasma initiation at the base of said column for delivering a high voltage pulse across said electrodes, the plasma expanding from the base end of the column and off the exit end thereof.
- 15 2. A plasma gun as claimed in claim 1, wherein said RF source 112, 130 is operating at a frequency in the range of 10 MHZ to 1000 MHZ.
3. A plasma gun as claimed in claim 1 wherein said simulated RF source 130 includes an N stage non-linear magnetic pulse compressor 136, where N is an integer ≥ 1 ;
 - 20 a solid state switch 134 selectively operable for connecting an energy storage device 132 to an input of a first stage of said compressor;
 - an output stage 138 having a resonant circuit at an RF frequency F to be simulated, said resonant circuit including a capacitor C_R and a saturable reactor L_R , a last stage of said compressor having a capacitance C_N , at least one of C_R and L_R being selected so that there is a reverse voltage
 - 25 on C_N before C_R is fully charged, L_R successively saturating to cause oscillating of C_R at frequency F; and
 - a coupling circuit 140 for coupling energy from C_R to drive said plasma initiator.
4. A plasma gun as claimed in claim 3, wherein said solid state switch 134 is one of an SCR,
- 30 an IGBT and a MOSFET.

-30-

5. A plasma gun as claimed in claim 3, wherein C_R is selected such that $C_R > C_N$.
6. A plasma gun as claimed in claim 3, wherein N_R is selected such that it saturates before transfer of charge from C_N to C_R is completed.
- 5 7. A plasma gun as claimed in claim 3, wherein said output stage 138 is a resonant saturable shunt to ground.
8. A plasma gun as claimed in claim 3, wherein said coupling circuit 140 has an impedance
10 such that only a fraction of the energy stored in C_R is coupled to said plasma initiator during each oscillating cycle of C_R .
9. A plasma gun as claimed in claim 3, wherein L_R and C_R are selected such that there are only 3 to 4 oscillating cycles of said output stage 138.
- 15 10. A plasma gun as claimed in claim 1, wherein said plasma initiator 82 is a plurality of electrodes affixed to an insulator 24 and spaced substantially uniformly about said column 16, said electrodes producing a high voltage field at a surface of said insulator which surface is at the base end of said column.
- 20 11. A plasma gun as claimed in claim 10, wherein said insulator 24 surrounds said center electrode at a base end thereof, and wherein said electrodes 82 are mounted to said insulator near the base end of said column.
- 25 12. A plasma gun as claimed in claim 10, wherein said insulator 24 forms a base of said column 16, and wherein said electrodes 82 are mounted in said insulator from a side thereof opposite said column and spaced a short distance from said column by said insulator, energizing of said electrodes 82 producing a high voltage field at a side of said insulator 24 in said column.
- 30 13. A plasma gun as claimed in claim 1, wherein at least one of said center electrode 12 and said outer electrode 14 is formed of a sintered powder refractory metal.

-31-

14. A plasma gun as claimed in claim 13, wherein said plasma gun is operating as a radiation source at a selected wavelength, and wherein said at least one electrode is saturated with a fluid material suitable for generating radiation at the selected wavelength.

5 15. A plasma gun as claimed in claim 14, wherein the fluid is liquid lithium.

16. A plasma gun as claimed in claim 14, including a mechanism which provides said fluid material to the at least one electrode on a substantially continuous basis.

10 17. A plasma gun as claimed in claim 13, wherein both said center electrode and said outer electrode are formed of said sintered powder refractory material.

18. A plasma gun as claimed in claim 1, wherein said pulsed driver 32, 34, 36 provides a high voltage spike 160 followed by a lower voltage, longer duration sustainer signal 162, most of the
15 driver energy being provided by the sustainer signal.

19. A plasma gun as claimed in claim 18, wherein said pulsed driver includes a first non-linear magnetic pulse driver 166 for generating said high voltage spike 160 and a second non-linear magnetic pulse driver 164 for generating said sustainer signal 162.

20

20. A plasma gun as claimed in claim 19, wherein said second driver has at least two stages, a saturable reactor 168 of a last of said stages being normally biased to prevent the spike from said first driver entering the second driver, the spike partially desaturating said reactor to inhibit initial flow from said second driver until the reactor again saturates to pass the sustaining signal.

25

21. A high PRF plasma gun 10, 90 including:

a center electrode 12;

an outer electrode 14 substantially coaxial with said center electrode, a coaxial column 16 being formed between said electrodes, which column has a closed base end and an open exit

30 end;

an inlet mechanism 70, 72, 74 for introducing a selected gas into said column;

-32-

a plasma initiator 82 at the base end of said column, said plasma initiator including a plurality of electrodes 82 affixed to an insulator 24 and spaced substantially uniformly about said column, said electrodes 82 when driven producing a high voltage field at a surface of said insulator which surface is at the base end of said column 16; and

5 a solid state, high repetition rate pulsed driver 112, 130 operable on plasma initiation at the base of said column for delivering a high voltage pulse across said electrodes, the plasma expanding from the base end of the column and off the exit end thereof.

22. A plasma gun as claimed in claim 21, wherein said insulator 24 surrounds said center
10 electrode 12 at a base end thereof, and wherein said electrodes 82 are mounted to said insulator near the base end of said column 16.

23. A plasma gun as claimed in claim 21, wherein said insulator 24 forms a base of said
15 column 16, and wherein said electrodes 82 are mounted in said insulator 24 from a side thereof opposite said column and spaced a short distance from said column by said insulator, energizing of said electrodes 82 producing a high voltage field at a side of said insulator in said column.

24. A simulated RF source 130 including:

an N stage non-linear magnetic pulse compressor 136, where N is an integer ≥ 1 ;

20 a solid state switch 134 selectively operable for connecting an energy storage device 132 to an input of a first stage of said compressor 136;

an output stage 138 having a resonant circuit at an RF frequency F_1 to be simulated, said resonant circuit including a capacitor C_R and a saturable reactor L_R , a last stage of said compressor having a capacitance C_N , at least one of C_R and L_R being selected so that there is a reverse voltage
25 on C_N before C_R is fully charged, L_R successively saturating to cause oscillating of C_R at frequency F; and

a coupling circuit 140 for coupling out energy from C_R .

25. A high PRF plasma gun 10, 90 including:

30 a center electrode 12;

an outer electrode 14 substantially coaxial with said center electrode, a coaxial column 16 being formed between said electrodes, which column has a closed base end and an open exit end, at least one of said center electrode and said outer electrode being formed of a sintered powder refractory metal;

- 5 an inlet mechanism 70, 72, 74 for introducing a selected gas into said column;
 a selectively driven plasma initiator 82 at the base end of said column; and
 a solid state, high repetition rate pulsed driver 32, 34, 36 operable on plasma initiation at the base of said column for delivering a high voltage pulse across said electrodes, the plasma expanding from the base end of the column and off the exit end thereof.

10

26. A plasma gun as claimed in claim 25, wherein said plasma gun is operating as a radiation source at a selected wavelength, and wherein said at least one electrode is saturated with a fluid material suitable for generating radiation at the selected wavelength.

- 15 27. A plasma gun as claimed in claim 26, wherein the fluid is liquid lithium.

28. A plasma gun as claimed in claim 26, including a mechanism which provides said fluid material to the at least one electrode on a substantially continuous basis.

- 20 29. A plasma gun as claimed in claim 25, wherein both said center electrode 12 and said outer electrode 14 are formed of said sintered powder refractory material.

30. A high PRF plasma gun 10, 90 including:

 a center electrode 12;

- 25 an outer electrode 14 substantially coaxial with said center electrode, a coaxial column 16 being formed between said electrodes, which column has a closed base end and an open exit end;

 an inlet mechanism 70, 72, 74 for introducing a selected gas into said column;

 a selectively driven plasma initiator 82 at the base end of said column; and

- 30 a solid state, high repetition rate pulsed driver 32, 34, 36 operable on plasma initiation at the base of said column for delivering a high voltage pulse across said electrodes, said pulsed driver providing a high voltage spike 160 followed by a lower voltage, longer duration sustainer

signal 162, most of the driver energy being provided by the sustainer signal, the plasma expanding from the base end of the column and off the exit end thereof.

31. A plasma gun as claimed in claim 30, wherein said pulsed driver includes a first non-linear magnetic pulse driver 166 for generating said high voltage spike and a second non-linear magnetic pulse driver 164 for generating said sustainer signal.

32. A plasma gun as claimed in claim 31, wherein said second driver has at least two stages, a saturable reactor 168 of a last of said stages being normally biased to prevent the spike from said first driver 166 entering the second driver 164, the spike partially desaturating said reactor 168 to inhibit initial flow from said second driver until the reactor again saturates to pass the sustaining signal.

33. A high PRF radiation source 90 at a selected wavelength including;

- a center electrode 12;
- an outer electrode 14 substantially coaxial with said center electrode, a coaxial column 16 being formed between said electrodes, which column has a closed base end and an open exit end;
- an inlet mechanism 70, 72, 74 for introducing a selected gas into said column;
- a plasma initiator 82 at the base end of said column;
- a solid state, high repetition rate pulsed driver 32, 34, 36 operable on plasma initiation at the base of said column for delivering a high voltage pulse across said electrodes, the plasma expanding from the base end of the column and off the exit end thereof;
- the pulse voltage and electrode lengths being such that the current for each pulse is at substantially its maximum as the plasma exits the column, said inlet mechanism providing a substantially uniform gas fill in said column, resulting in the plasma being initially driven off the center electrode, the plasma being magnetically pinched as it exits the column, raising the temperature at the end of said center electrode sufficient to cause an ionizable element appearing at said end of said center electrode to produce radiation at said selected wavelength; and
- a component 94 which redirects plasma driven off said center electrode 12 back toward the center electrode, without substantially affecting passage of said radiation.

-35-

34. A source as claimed in claim 33 wherein said component 94 which redirects is a shield of a high temperature, non-conductive material positioned a selected distance from said the exit end of said center electrode 12 and shaped to reflect plasma impinging thereon back toward said center electrode, said shield having an opening 98 positioned to permit said radiation to pass
5 therethrough.
35. A source as claimed in claim 34 wherein said selected distance that said shield is spaced from said center electrode is no more than approximately $2R$, where R is the radius of the center electrode.
10
36. A source as claimed in claim 35 wherein said selected distance is not less than approximately R .
37. A source as claimed in claim 34 wherein said shield 94A has a generally spherical shape.
15
38. A source as claimed in claim 34 wherein said shield 94B has a generally conical shape.
39. A source as claimed in claim 34 wherein said shield 94C has a generally parabolic shape.
- 20 40. A source as claimed in claim 34 wherein said opening 98 is a substantially circular opening located at substantially the center of said shield 94.
41. A source as claimed in claim 40 wherein said opening 98 is sized and positioned such that radiation exiting said center electrode 12 at an angle of approximately $\pm 15^\circ$ from the axis of the
25 center electrode passes through the opening.
42. A source as claimed in claim 33 wherein said material is at least one of a high temperature ceramic, glass, quartz and sapphire.
- 30 43. A source as claimed in claim 42 wherein said material is Al_2O_3 .

-36-

44. A source as claimed in claim 33 including a solid state simulated RF source 130, selectively connected to drive said plasma initiator 82.

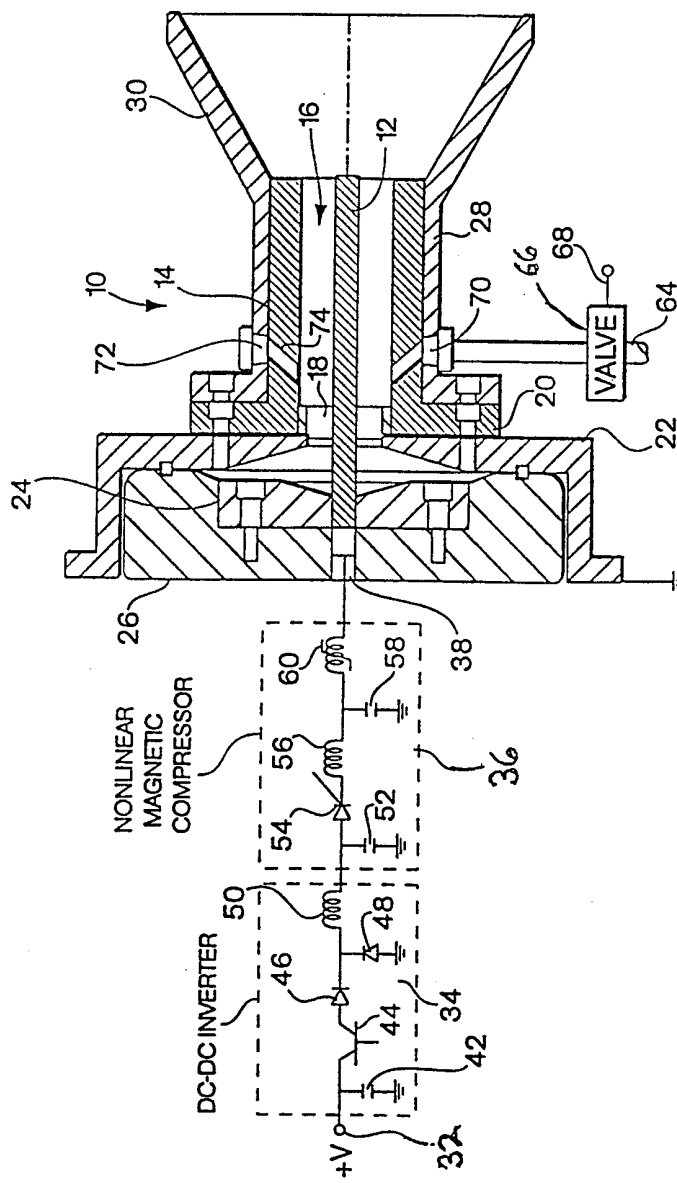


Fig. 1

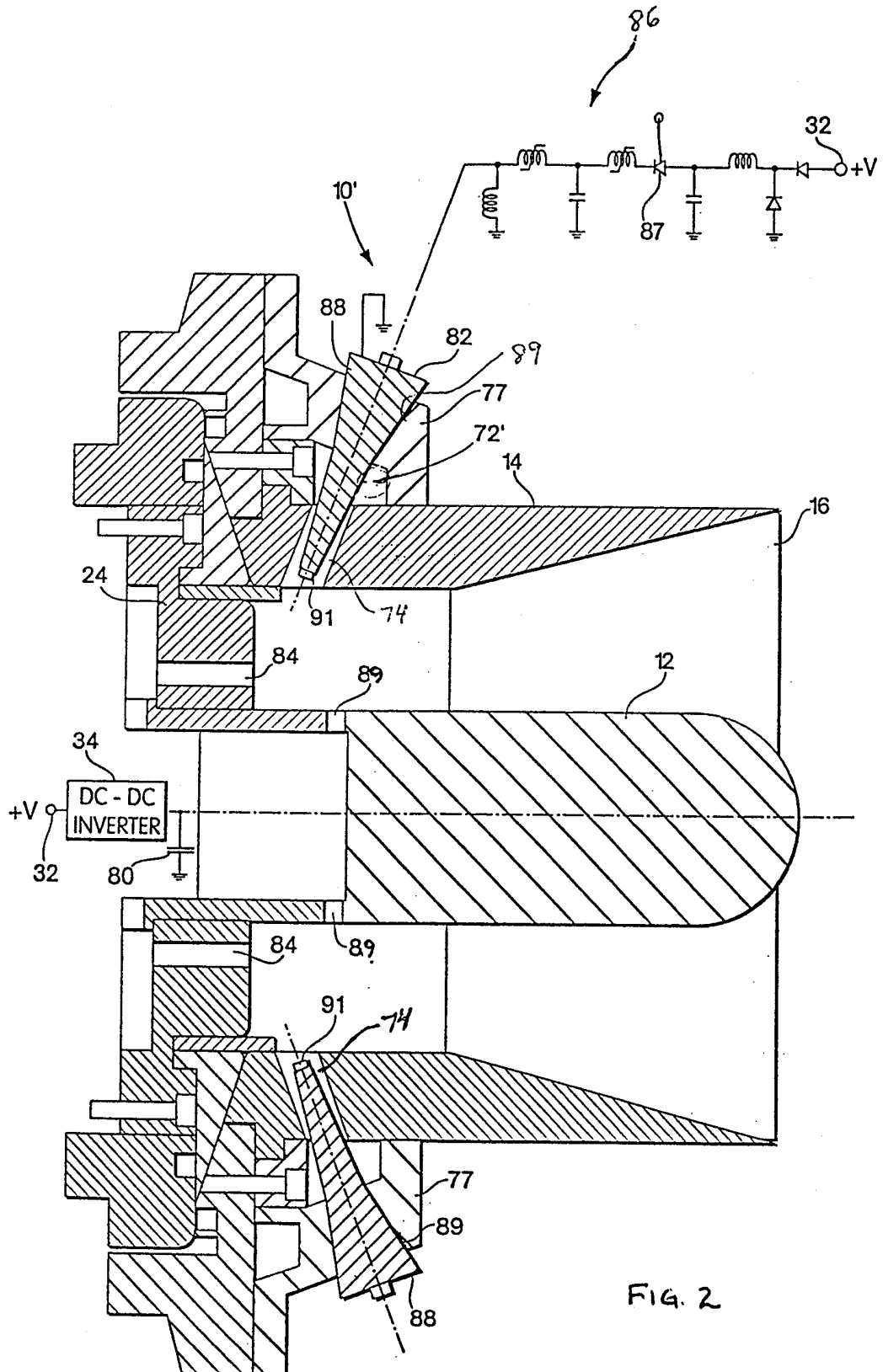


FIG. 2

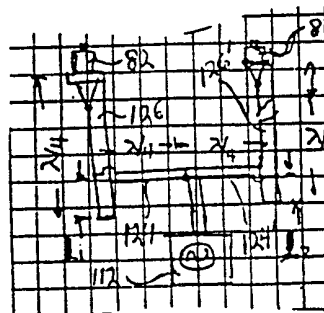
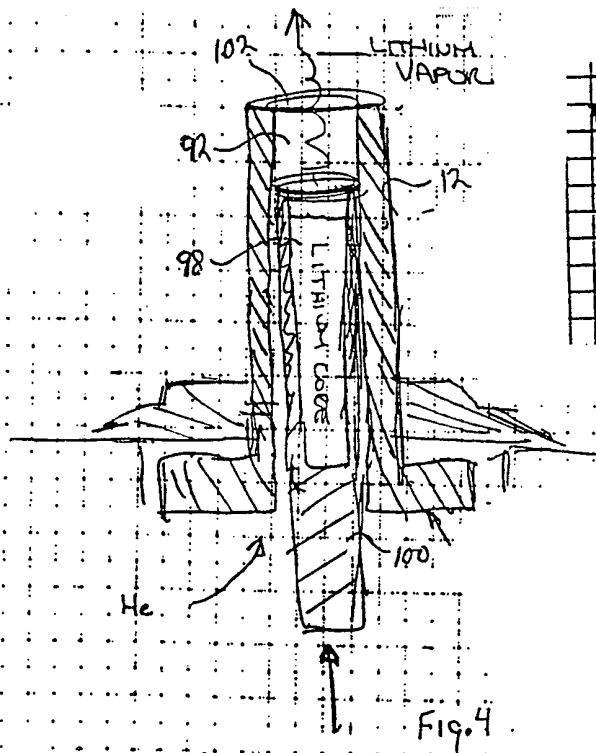


FIG. 6

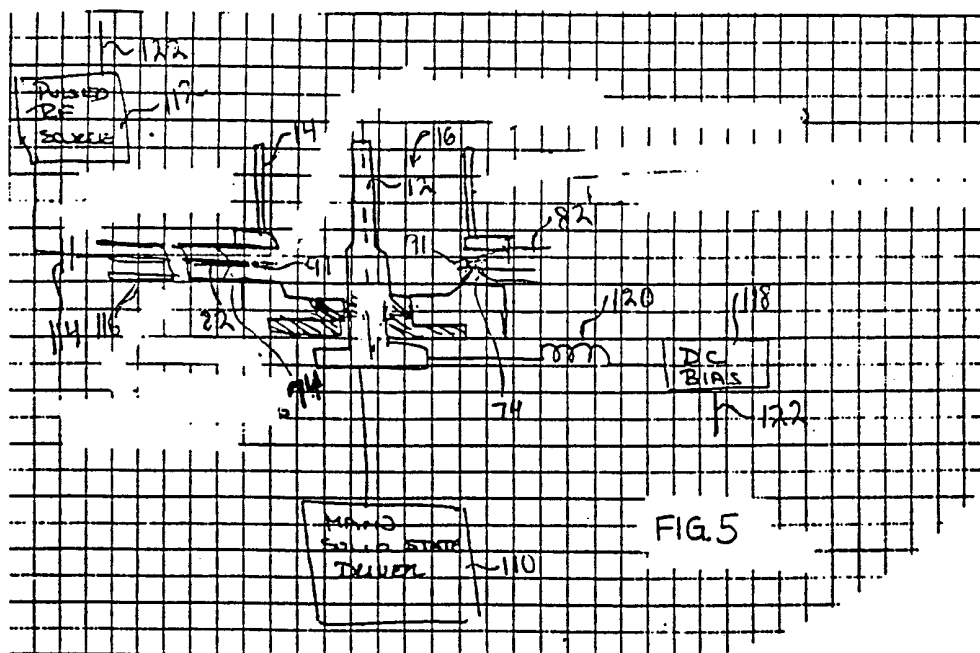


FIG. 5

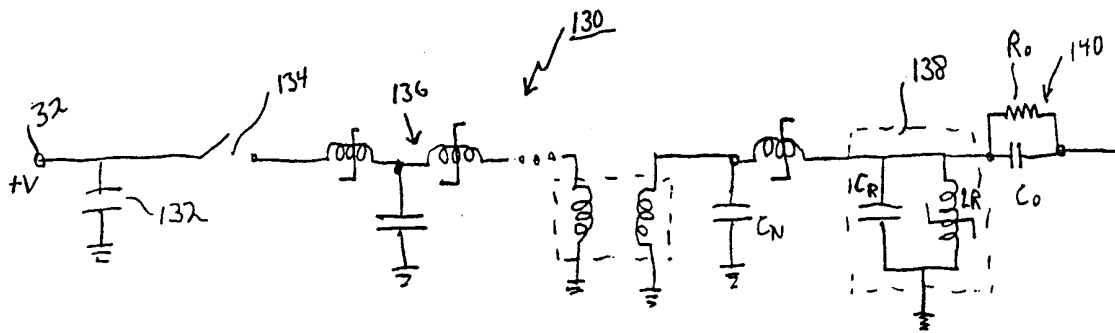


Fig. 7A



Fig 7B

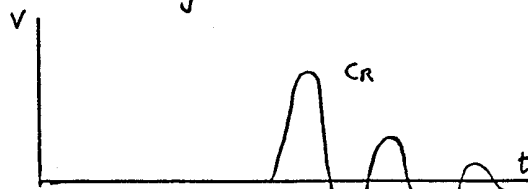


Fig. 7C

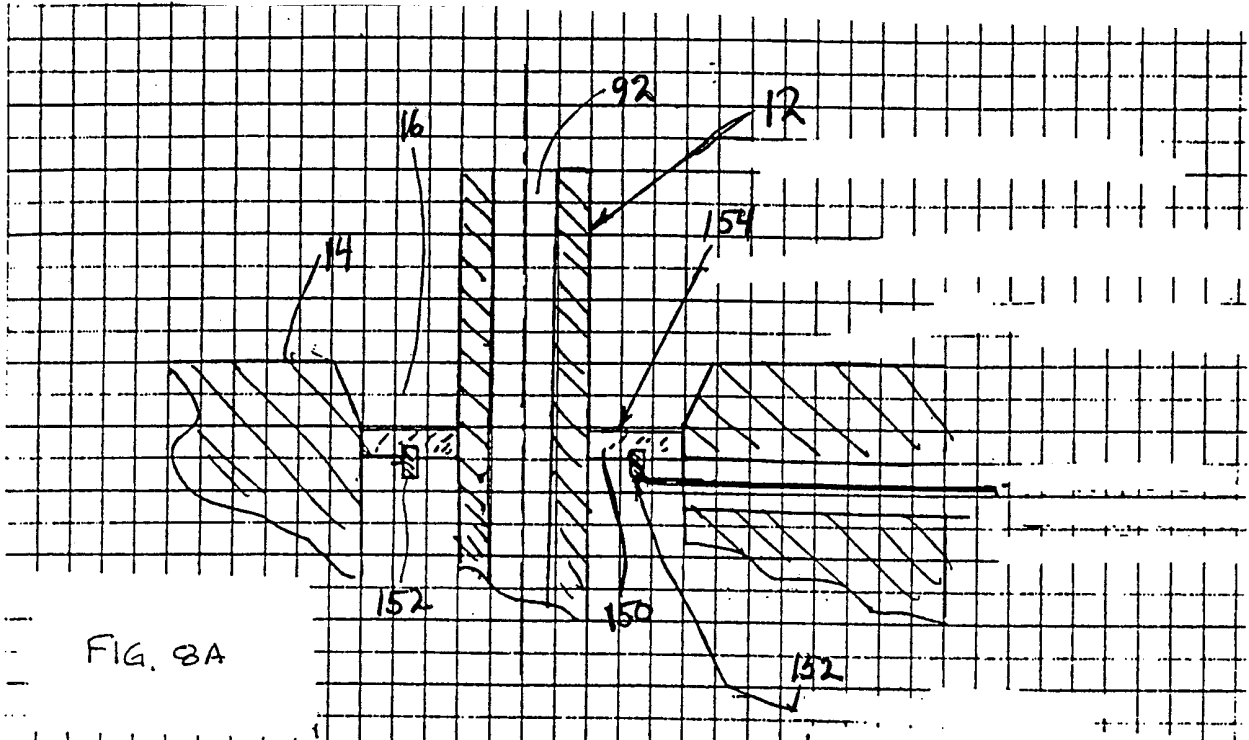


FIG. 8A

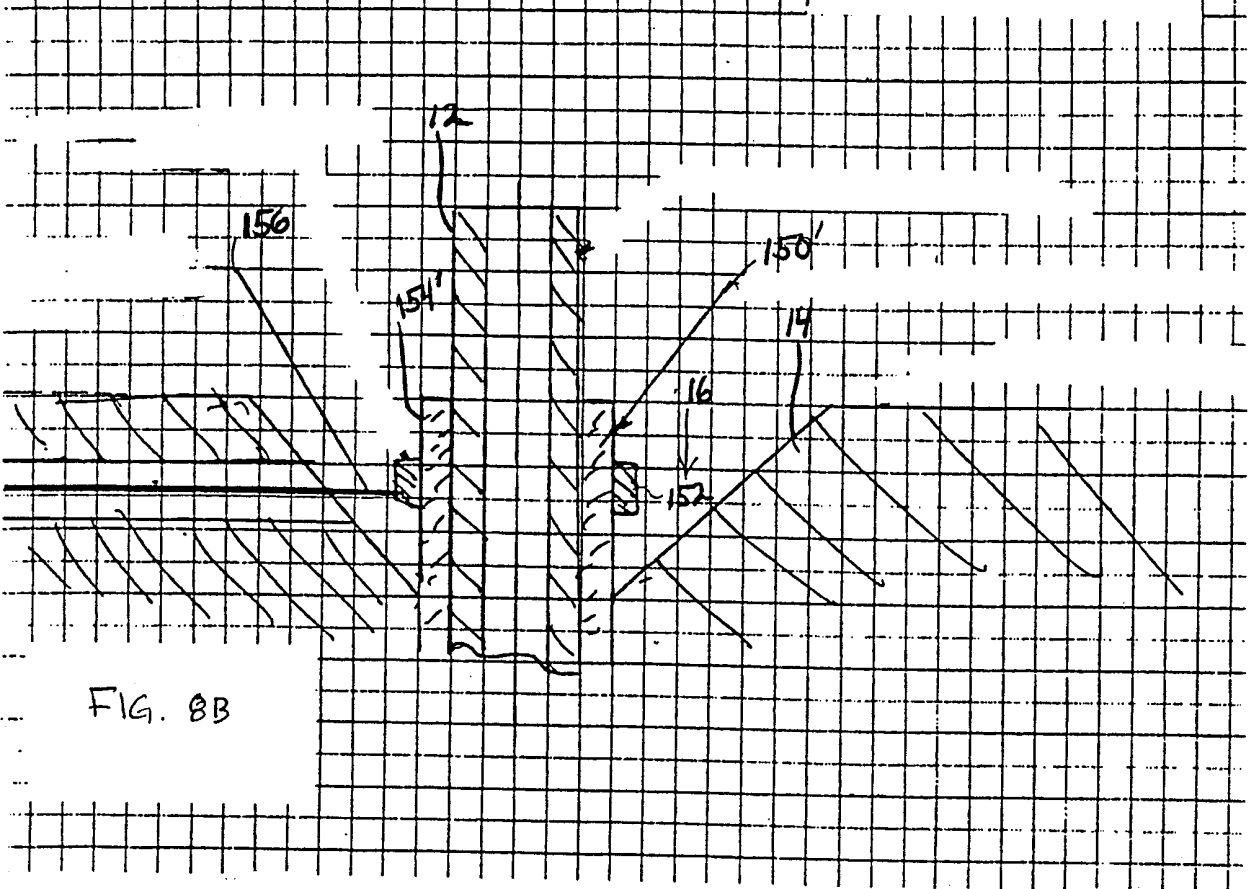


FIG. 8B

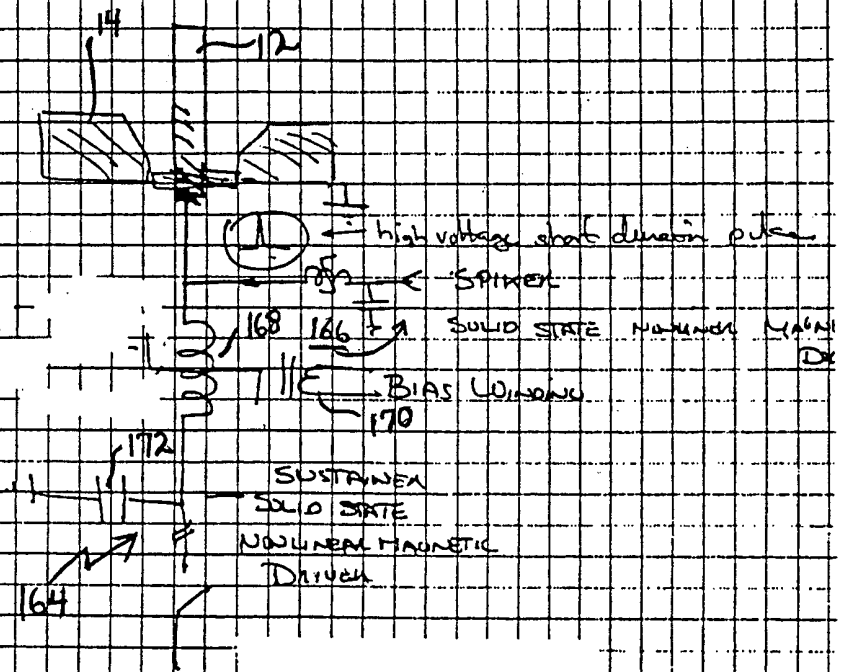


FIG. 9A

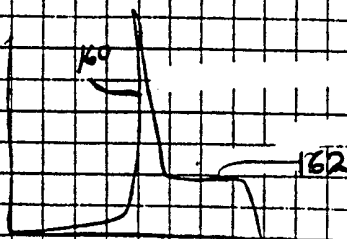
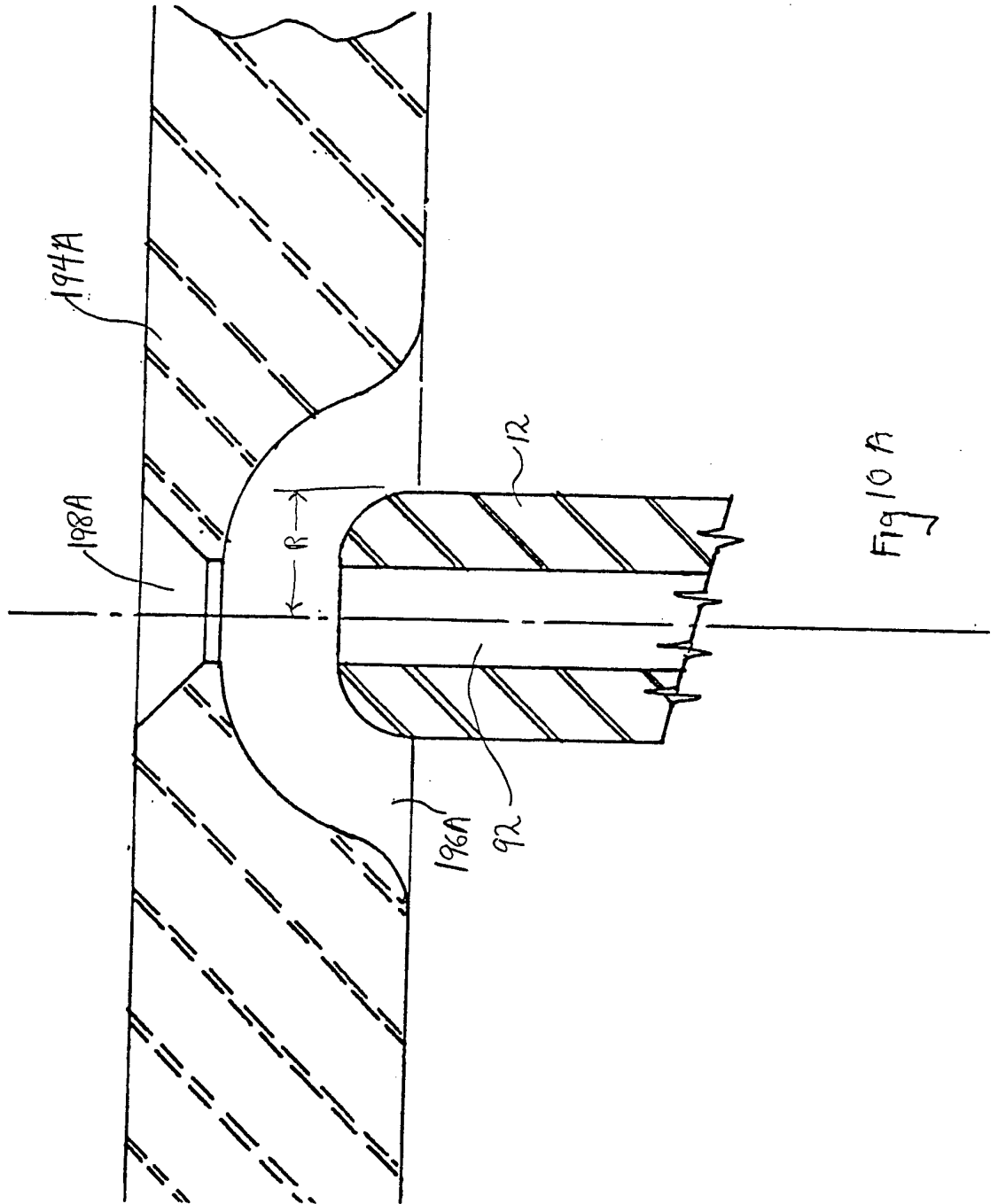


FIG. 9B



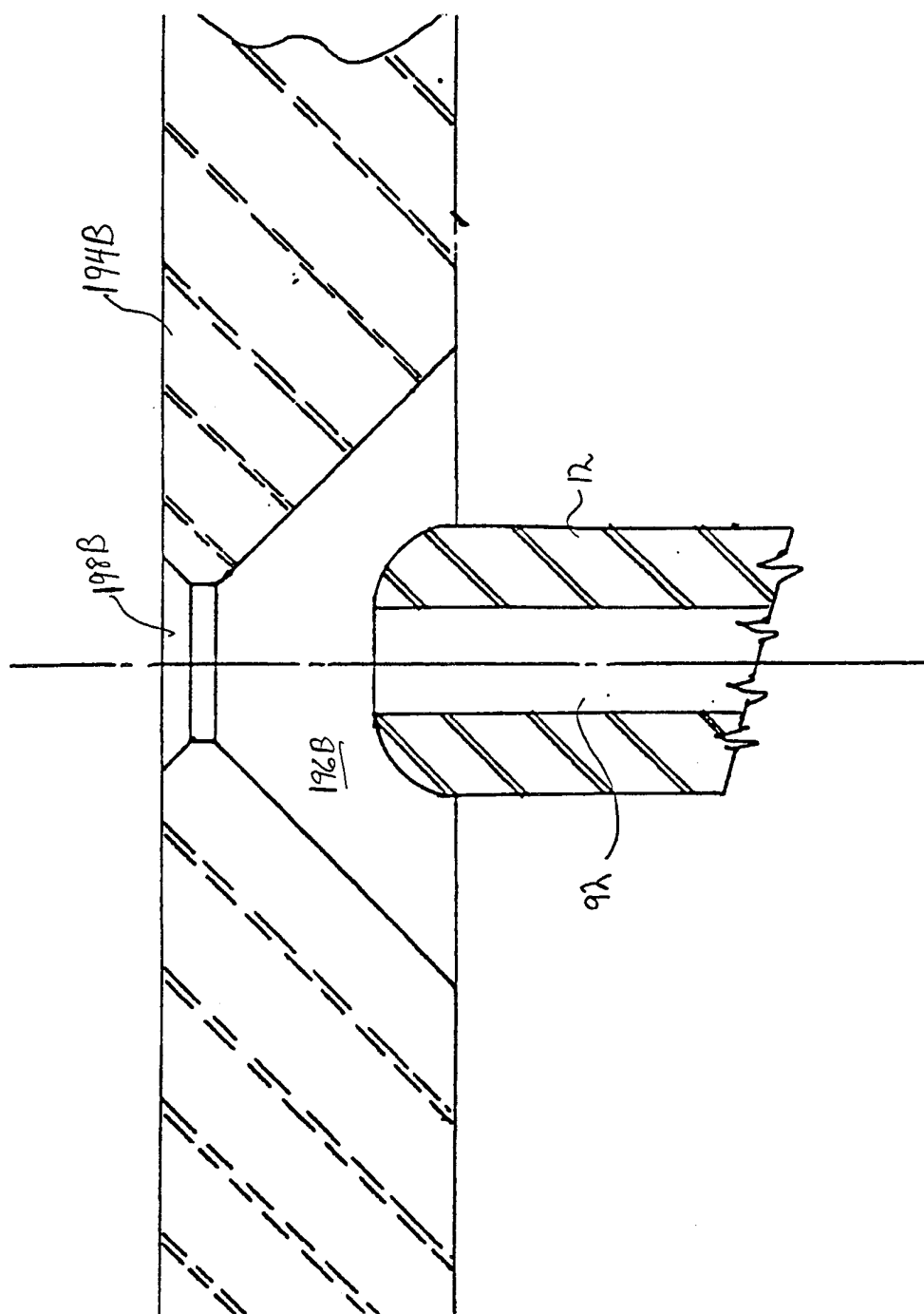


Fig 10B

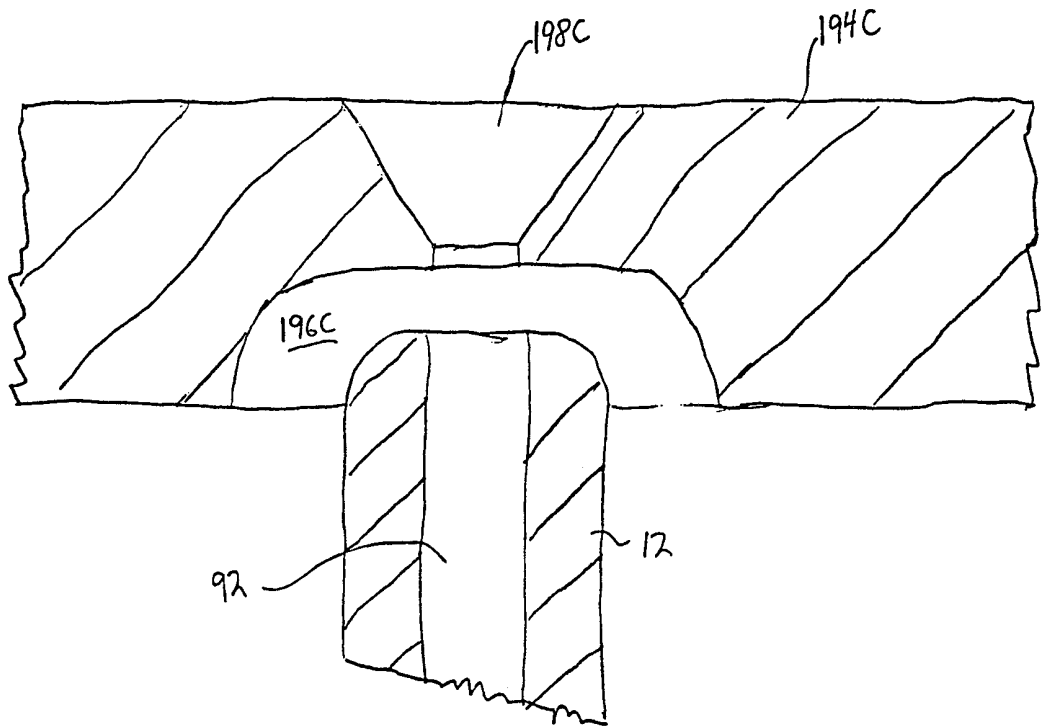


Fig 10C

INTERNATIONAL SEARCH REPORT

International application No.
PCT/US00/06009

A. CLASSIFICATION OF SUBJECT MATTER

IPC(7) : Please See Extra Sheet.
US CL : 315/111.21, 111.81; 219/12148

According to International Patent Classification (IPC) or to both national classification and IPC

B. FIELDS SEARCHED

Minimum documentation searched (classification system followed by classification symbols)

U.S. : 315/111.21, 111.81; 219/12148

Documentation searched other than minimum documentation to the extent that such documents are included in the fields searched
none

Electronic data base consulted during the international search (name of data base and, where practicable, search terms used)
none

C. DOCUMENTS CONSIDERED TO BE RELEVANT

Category*	Citation of document, with indication, where appropriate, of the relevant passages	Relevant to claim No.
X	US 5,866,871 A (BIRX) 02 FEBRUARY 1999, (02/02/99) Note entire document.	1,2,10-18, 21-31, and 33-44 ----- 3-9, 19, 20, 32

Further documents are listed in the continuation of Box C. See patent family annex.

* Special categories of cited documents:	*T* later document published after the international filing date or priority date and not in conflict with the application but cited to understand the principle or theory underlying the invention
A document defining the general state of the art which is not considered to be of particular relevance	*X* document of particular relevance; the claimed invention cannot be considered novel or cannot be considered to involve an inventive step when the document is taken alone
E earlier document published on or after the international filing date	*Y* document of particular relevance; the claimed invention cannot be considered to involve an inventive step when the document is combined with one or more other such documents, such combination being obvious to a person skilled in the art
L document which may throw doubts on priority claim(s) or which is cited to establish the publication date of another citation or other special reason (as specified)	* & * document member of the same patent family
O document referring to an oral disclosure, use, exhibition or other means	
P document published prior to the international filing date but later than the priority date claimed	

Date of the actual completion of the international search

14 JUNE 2000

Date of mailing of the international search report

05 JUL 2000

Name and mailing address of the ISA/US
Commissioner of Patents and Trademarks
Box PCT
Washington, D.C. 20231

Facsimile No. (703) 305-3230

Authorized officer

MICHAEL SHINGLETON *J. Marale*

Telephone No. (703) 308-4903

INTERNATIONAL SEARCH REPORT

International application No.

PCT/US00/06009

A. CLASSIFICATION OF SUBJECT MATTER:

IPC (7):

H01J 7/24, H05B 31/26