

(19) World Intellectual Property Organization  
International Bureau



(43) International Publication Date  
7 February 2002 (07.02.2002)

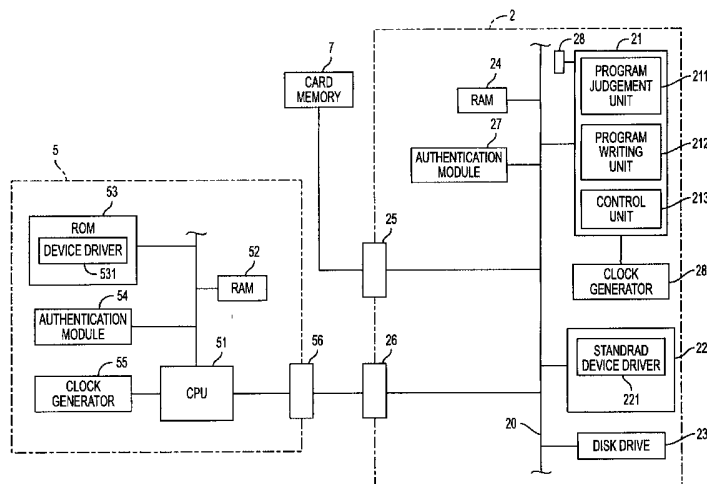
PCT

(10) International Publication Number  
WO 02/010906 A3

- (51) International Patent Classification<sup>7</sup>: G06F 9/445
- (21) International Application Number: PCT/JP01/06397
- (22) International Filing Date: 25 July 2001 (25.07.2001)
- (25) Filing Language: English
- (26) Publication Language: English
- (30) Priority Data: 2000-232075 31 July 2000 (31.07.2000) JP
- (71) Applicant: SONY COMPUTER ENTERTAINMENT INC. [JP/JP]; 1-1, Akasaka 7-chome, Minato-ku, Tokyo 107-0052 (JP).
- (72) Inventor: TANAKA, Makoto; c/o Sony Computer Entertainment Inc., 1-1, Akasaka 7-chome, Minato-ku, Tokyo 107-0052 (JP).
- (74) Agent: YAMAMOTO, Toshitake; 301, Ogikubo Sunny Garden, 28-9, Ogikubo 4-chome, Suginami-ku, Tokyo 167-0051 (JP).
- (81) Designated States (national): AU, BR, CA, CN, IN, KR, MX, NZ, RU, SG.
- (84) Designated States (regional): European patent (AT, BE, CH, CY, DE, DK, ES, FI, FR, GB, GR, IE, IT, LU, MC, NL, PT, SE, TR).
- Published: — with international search report
- (88) Date of publication of the international search report: 31 July 2003

For two-letter codes and other abbreviations, refer to the "Guidance Notes on Codes and Abbreviations" appearing at the beginning of each regular issue of the PCT Gazette.

(54) Title: ELECTRONIC EQUIPMENT COMMUNICATION SYSTEM, EXTERNAL DEVICE FOR THE COMMUNICATION SYSTEM, AND ELECTRONIC EQUIPMENT



(57) Abstract: An electronic equipment communication system has electronic equipment and an external device to be connected to the electronic equipment. Communication between the external device and electronic equipment takes place when they are connected to each other and the external device has a program recording unit, in which a control program is recorded that controls the external device itself, and a program output unit, which outputs to the electronic equipment a control program stored in this program recording unit in response to requests from the connected electronic equipment. The electronic equipment controls the external device based on a control program outputted from the program output unit. Because the external device is controlled by the optimal control program recorded in the program recording unit, the performance of the external device can be fully elicited.



WO 02/010906 A3

## INTERNATIONAL SEARCH REPORT

 International Application No  
 PCT/JP 01/06397

 A. CLASSIFICATION OF SUBJECT MATTER  
 IPC 7 G06F9/445

According to International Patent Classification (IPC) or to both national classification and IPC

## B. FIELDS SEARCHED

 Minimum documentation searched (classification system followed by classification symbols)  
 IPC 7 G06F A63F

Documentation searched other than minimum documentation to the extent that such documents are included in the fields searched

Electronic data base consulted during the international search (name of data base and, where practical, search terms used)

EPO-Internal

## C. DOCUMENTS CONSIDERED TO BE RELEVANT

Category °	Citation of document, with indication, where appropriate, of the relevant passages	Relevant to claim No.
X	US 6 009 480 A (PLESO MARK F) 28 December 1999 (1999-12-28)	1,4-9, 15,16, 18-21
Y	column 2, line 37 -column 3, line 50  column 11, line 45 - line 54 column 13, line 25 - line 35	3,10,13, 14,17
X	US 5 598 577 A (OVERFIELD ANTHONY L) 28 January 1997 (1997-01-28)	11,12
Y	claims 1,2,12	3,10,13, 14,17
A	US 5 802 365 A (BANKS JANO ET AL) 1 September 1998 (1998-09-01) column 2, line 37 -column 3, line 40	1-21
	-/--	

 Further documents are listed in the continuation of box C.

 Patent family members are listed in annex.

° Special categories of cited documents :

\*A\* document defining the general state of the art which is not considered to be of particular relevance

\*E\* earlier document but published on or after the international filing date

\*L\* document which may throw doubts on priority claim(s) or which is cited to establish the publication date of another citation or other special reason (as specified)

\*O\* document referring to an oral disclosure, use, exhibition or other means

\*P\* document published prior to the international filing date but later than the priority date claimed

\*T\* later document published after the international filing date or priority date and not in conflict with the application but cited to understand the principle or theory underlying the invention

\*X\* document of particular relevance; the claimed invention cannot be considered novel or cannot be considered to involve an inventive step when the document is taken alone

\*Y\* document of particular relevance; the claimed invention cannot be considered to involve an inventive step when the document is combined with one or more other such documents, such combination being obvious to a person skilled in the art.

\*&amp;\* document member of the same patent family

Date of the actual completion of the international search

3 April 2003

Date of mailing of the international search report

15/04/2003

Name and mailing address of the ISA

 European Patent Office, P.B. 5818 Patentlaan 2  
 NL - 2280 HV Rijswijk  
 Tel. (+31-70) 340-2040, Tx. 31 651 epo nl,  
 Fax: (+31-70) 340-3016

Authorized officer

Bijn, K

## INTERNATIONAL SEARCH REPORT

Internati Application No  
PCT/JP 01/06397

## C.(Continuation) DOCUMENTS CONSIDERED TO BE RELEVANT

Category °	Citation of document, with indication, where appropriate, of the relevant passages	Relevant to claim No.
A	US 5 623 618 A (BREWER JAMES A ET AL) 22 April 1997 (1997-04-22) column 2, line 37 -column 3, line 17 -----	1-21
A	US 5 781 723 A (BENALOH JOSH ET AL) 14 July 1998 (1998-07-14) column 2, line 27 -column 3, line 37 -----	1,3,10, 13,14,17

INTERNATIONAL SEARCH REPORT

Information on patent family members

International Application No

PCT/JP 01/06397

Patent document cited in search report		Publication date	Patent family member(s)	Publication date
US 6009480	A	28-12-1999	NONE	
US 5598577	A	28-01-1997	NONE	
US 5802365	A	01-09-1998	US 5630076 A AU 5725696 A EP 1296235 A2 EP 0774137 A1 WO 9635170 A1	13-05-1997 21-11-1996 26-03-2003 21-05-1997 07-11-1996
US 5623618	A	22-04-1997	US 5455919 A JP 6202944 A	03-10-1995 22-07-1994
US 5781723	A	14-07-1998	NONE	