

(19) World Intellectual Property
Organization
International Bureau



(43) International Publication Date
16 October 2003 (16.10.2003)

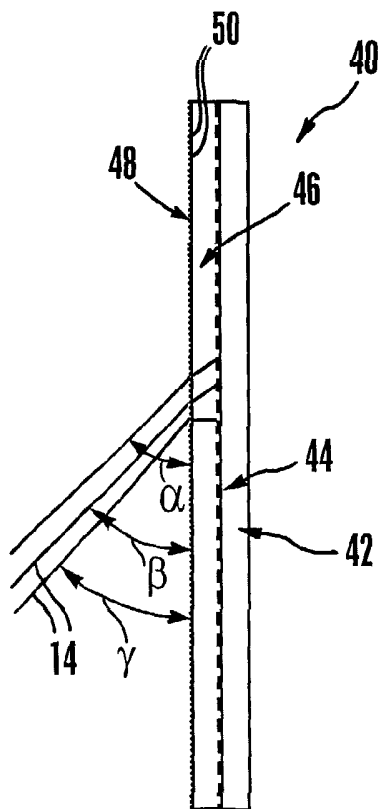
PCT

(10) International Publication Number
WO 2003/085634 A3

- (51) International Patent Classification⁷: H04N 5/74
- (21) International Application Number: PCT/US2003/009563
- (22) International Filing Date: 26 March 2003 (26.03.2003)
- (25) Filing Language: English
- (26) Publication Language: English
- (30) Priority Data:
10/114,395 1 April 2002 (01.04.2002) US
- (71) Applicant: SONY ELECTRONICS INC. [US/US]; 1 Sony Drive, Park Ridge, NJ 07656 (US).
- (72) Inventor: RUSS, Ben; 10915 Sunny Meadow Court, San Diego, CA 92126 (US).
- (74) Agent: ROGITZ, John, L.; Rogitz & Associates, 750 B Street, Suite 3120, San Diego, CA 92101 (US).
- (81) Designated States (*national*): AE, AG, AL, AM, AT, AU, AZ, BA, BB, BG, BR, BY, BZ, CA, CH, CN, CO, CR, CU, CZ, DE, DK, DM, DZ, EC, EE, ES, FI, GB, GD, GE, GH, GM, HR, HU, ID, IL, IN, IS, JP, KE, KG, KP, KR, KZ, LC, LK, LR, LS, LT, LU, LV, MA, MD, MG, MK, MN, MW, MX, MZ, NI, NO, NZ, OM, PH, PL, PT, RO, RU, SC, SD, SE, SG, SK, SL, TJ, TM, TN, TR, TT, TZ, UA, UG, UZ, VC, VN, YU, ZA, ZM, ZW.
- (84) Designated States (*regional*): ARIPO patent (GH, GM, KE, LS, MW, MZ, SD, SL, SZ, TZ, UG, ZM, ZW), Eurasian patent (AM, AZ, BY, KG, KZ, MD, RU, TJ, TM), European patent (AT, BE, BG, CH, CY, CZ, DE, DK, EE, ES, FI, FR, GB, GR, HU, IE, IT, LU, MC, NL, PT, RO, SE, SI, SK, TR), OAPI patent (BF, BJ, CF, CG, CI, CM, GA, GN, GQ, GW, ML, MR, NE, SN, TD, TG).
- Published:
— with international search report

[Continued on next page]

(54) Title: METHOD FOR MAKING COLOR SEPARATOR FOR EMISSIVE DISPLAY



(57) Abstract: A method for making a color separator configured for a large screen display (12) includes covering red, green, and blue subpixels (44) of a phosphor display (12) with a refraction layer (46), and then ink-jet printing a color selection mask (44) layer onto the refraction layer (46) to shield the blue and green subpixels (44) from a first beam, shield the red and green subpixels (44) from a second beam, and shield the red and blue subpixels (44) from a third beam.

WO 2003/085634 A3



(88) Date of publication of the international search report:
26 February 2004

For two-letter codes and other abbreviations, refer to the "Guidance Notes on Codes and Abbreviations" appearing at the beginning of each regular issue of the PCT Gazette.

INTERNATIONAL SEARCH REPORT

International application No.

PCT/US03/09563

A. CLASSIFICATION OF SUBJECT MATTER

IPC(7) : H04N 5/74
 US CL : 348/750

According to International Patent Classification (IPC) or to both national classification and IPC

B. FIELDS SEARCHED

Minimum documentation searched (classification system followed by classification symbols)
 U.S. : Please See Continuation Sheet

Documentation searched other than minimum documentation to the extent that such documents are included in the fields searched

Electronic data base consulted during the international search (name of data base and, where practicable, search terms used)

C. DOCUMENTS CONSIDERED TO BE RELEVANT

Category *	Citation of document, with indication, where appropriate, of the relevant passages	Relevant to claim No.
X Y	US 5,473,396 A (OKAJIMA et al) 05 December 1995 (05.12.1995), see entire document.	1-5 and 7 6
X Y	US 6,157,119 A (HUNG et al) 05 December 2000 (05.12.2000), see entire document.	8 and 10 6

Further documents are listed in the continuation of Box C.

See patent family annex.

* Special categories of cited documents:

- "A" document defining the general state of the art which is not considered to be of particular relevance
- "E" earlier application or patent published on or after the international filing date
- "L" document which may throw doubts on priority claim(s) or which is cited to establish the publication date of another citation or other special reason (as specified)
- "O" document referring to an oral disclosure, use, exhibition or other means
- "P" document published prior to the international filing date but later than the priority date claimed

- "T" later document published after the international filing date or priority date and not in conflict with the application but cited to understand the principle or theory underlying the invention
- "X" document of particular relevance; the claimed invention cannot be considered novel or cannot be considered to involve an inventive step when the document is taken alone
- "Y" document of particular relevance; the claimed invention cannot be considered to involve an inventive step when the document is combined with one or more other such documents, such combination being obvious to a person skilled in the art
- "&" document member of the same patent family

Date of the actual completion of the international search

27 September 2003 (27.09.2003)

Date of mailing of the international search report

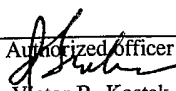
01 DEC 2003

Name and mailing address of the ISA/US

Mail Stop PCT, Attn: ISA/US
 Commissioner for Patents
 P.O. Box 1450
 Alexandria, Virginia 22313-1450

Facsimile No. (703)305-3230

Authorized officer


 Victor R. Kostak

Telephone No. 703 305-3900

INTERNATIONAL SEARCH REPORT

PCT/US03/09563

Continuation of B. FIELDS SEARCHED Item 1:

348/750, 745, 781, 786; 313/402, 403, 407, 409; 353/74, 77, 78, 122; 428/43.1, 32.24, 32.25; 430/4-7, 23, 66, 235, 252, 496, 964