



US00D341305S

# United States Patent [19]

[11] Patent Number: Des. 341,305

Svetlik

[45] Date of Patent: \*\* Nov. 16, 1993

- [54] SET OF ROUTER HANDLES
- [75] Inventor: **Kenneth N. Svetlik**, Schaumburg, Ill.
- [73] Assignee: **Skil and S-B Power Tool Company**, Chicago, Ill.
- [\*\*] Term: **14 Years**
- [21] Appl. No.: **742,946**
- [22] Filed: **Aug. 9, 1991**
- [52] U.S. Cl. .... **D8/70**
- [58] Field of Search ..... **D8/107, 70, 67; 144/134 D, 136 C; 409/182**

*Primary Examiner*—Alan P. Douglas  
*Assistant Examiner*—J. H. Musgrove  
*Attorney, Agent, or Firm*—Jones, Day, Reavis & Pogue

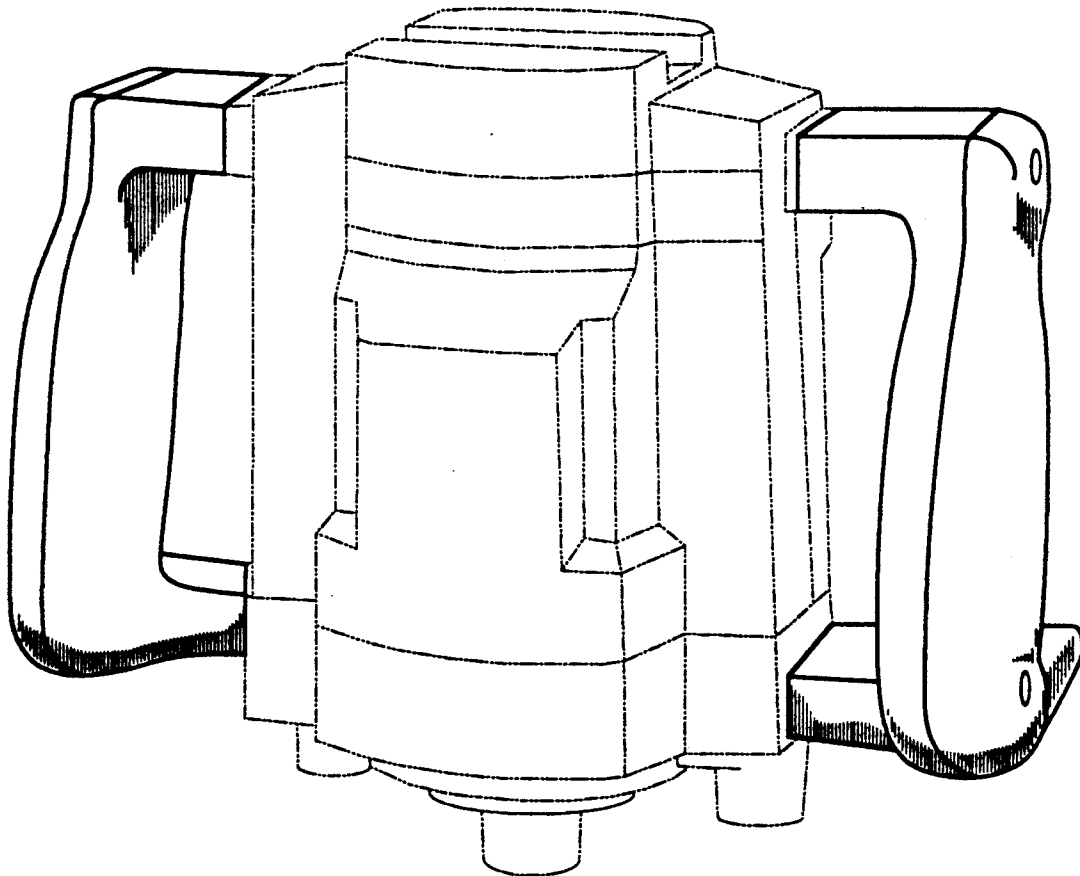
### [57] CLAIM

The ornamental design for set of router handles, as shown and described.

### DESCRIPTION

FIG. 1 is a perspective view of a set of router handles showing my new design;  
 FIG. 2 is a front view of the set of router handles;  
 FIG. 3 is a back side view of the set of router handles;  
 FIG. 4 is a right side view of the set of router handles;  
 FIG. 5 is a left view of the set of router handles;  
 FIG. 6 is a top view of the set of router handles; and,  
 FIG. 7 is a bottom view of the set of router handles.  
 The broken line showing of a router in the figures above is for illustrative purposes only and forms no part of the claimed design.

- [56] **References Cited**
- U.S. PATENT DOCUMENTS**
- D. 281,218 11/1985 Barrett ..... D8/67
- D. 286,132 10/1986 Yamamoto ..... D8/67
- 3,363,510 1/1968 Burrows et al. .... D8/67



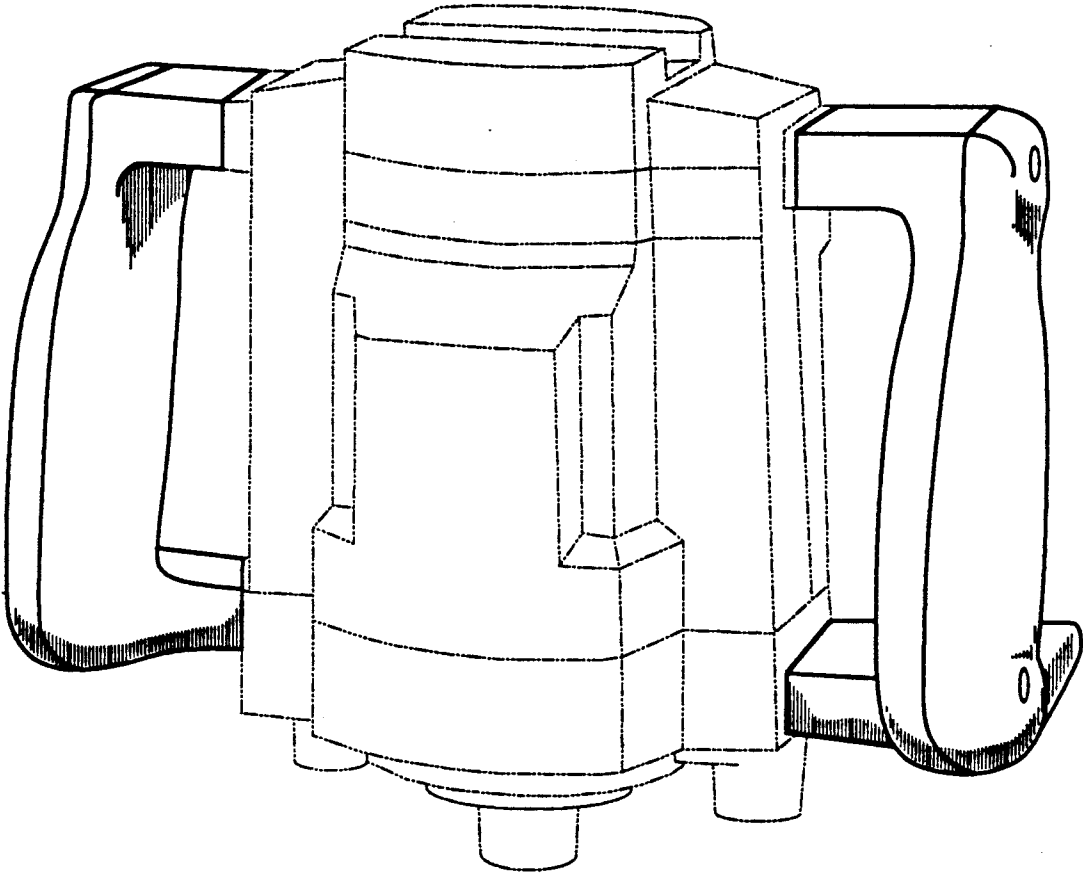


Fig.1

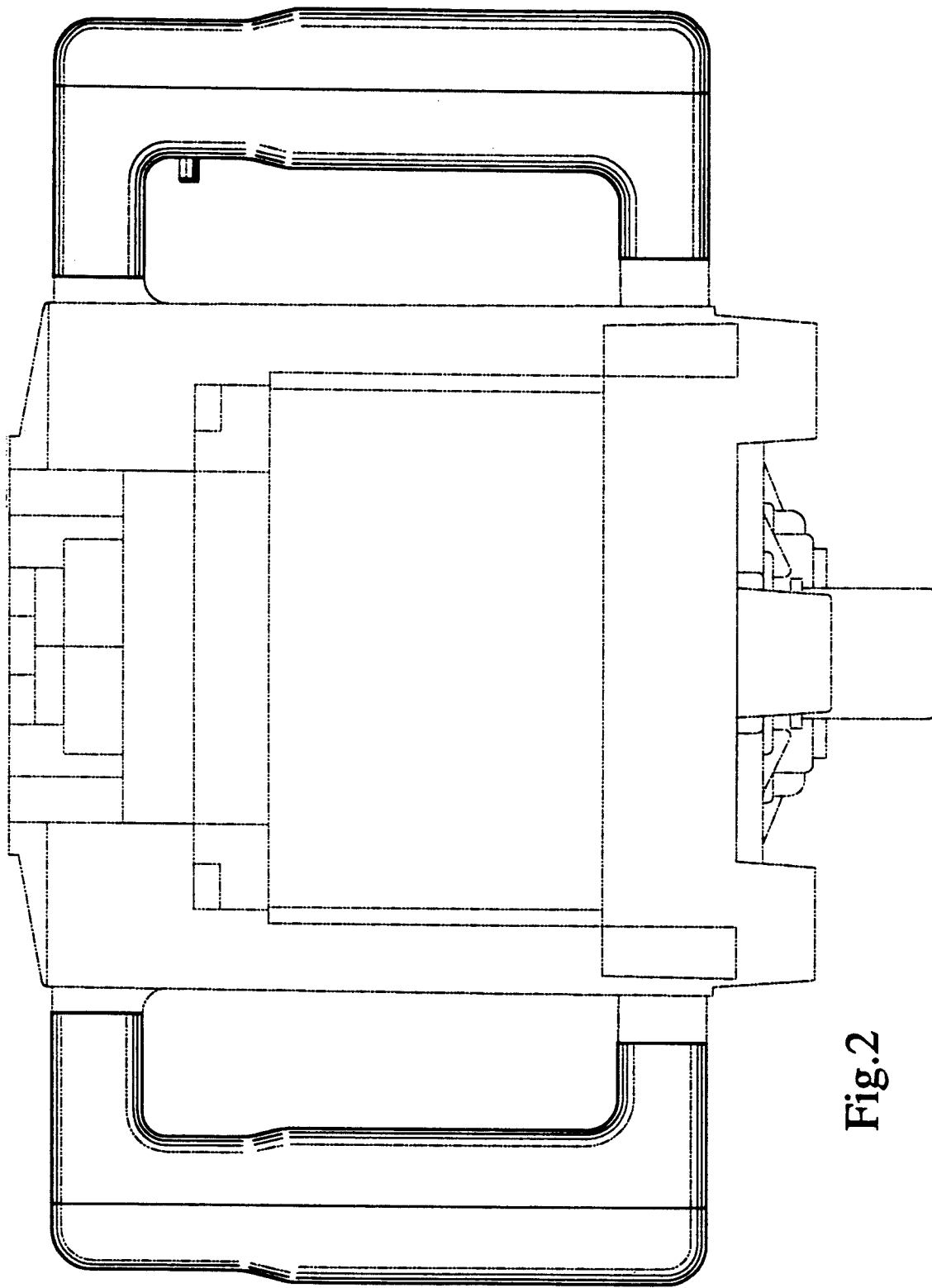


Fig.2

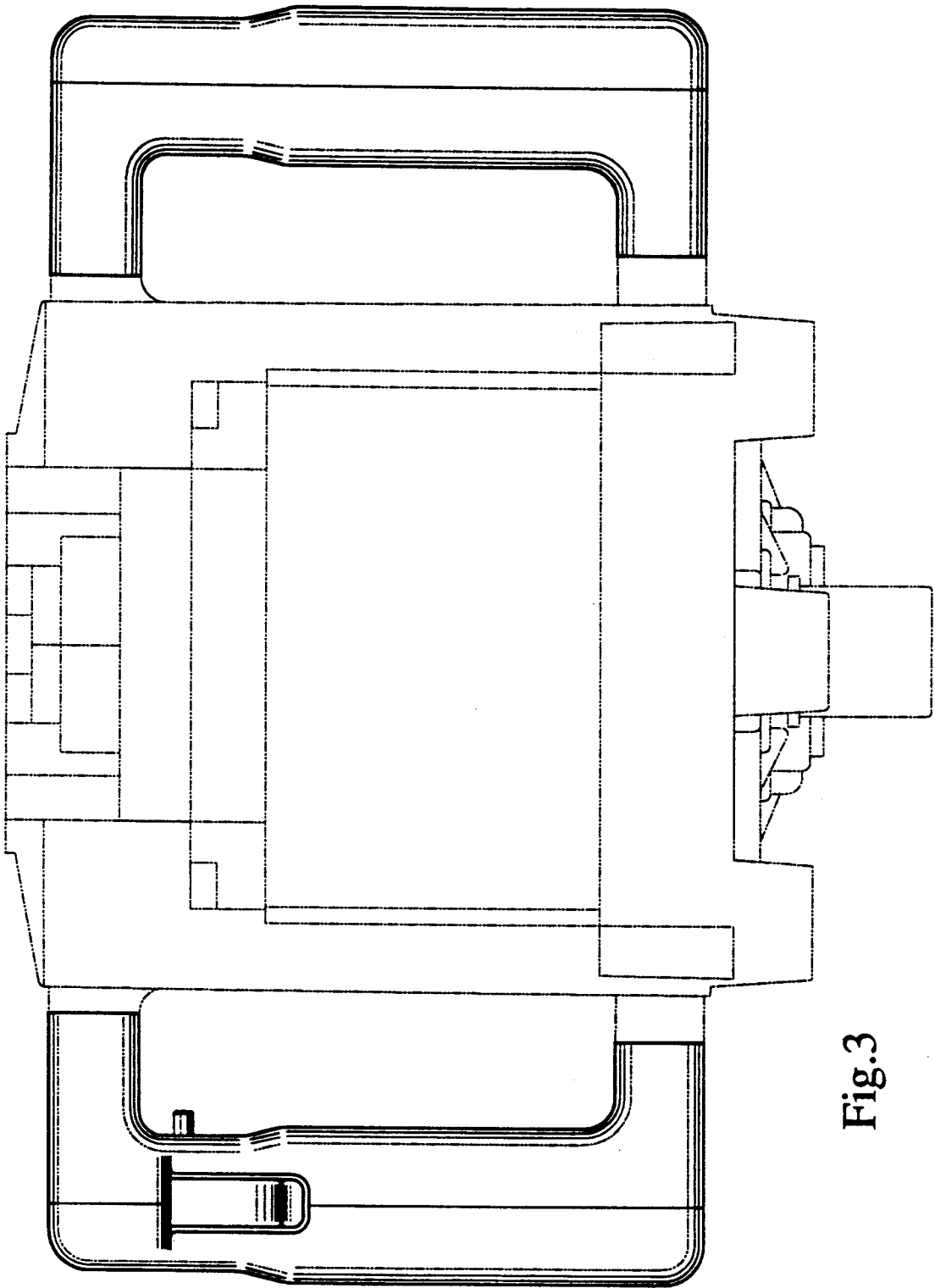


Fig.3

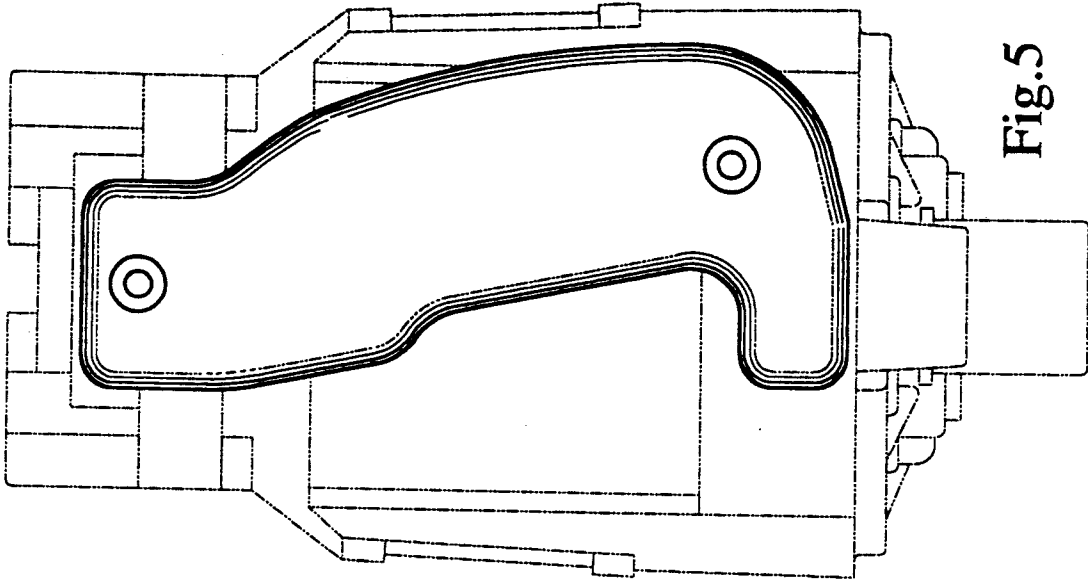


Fig.5

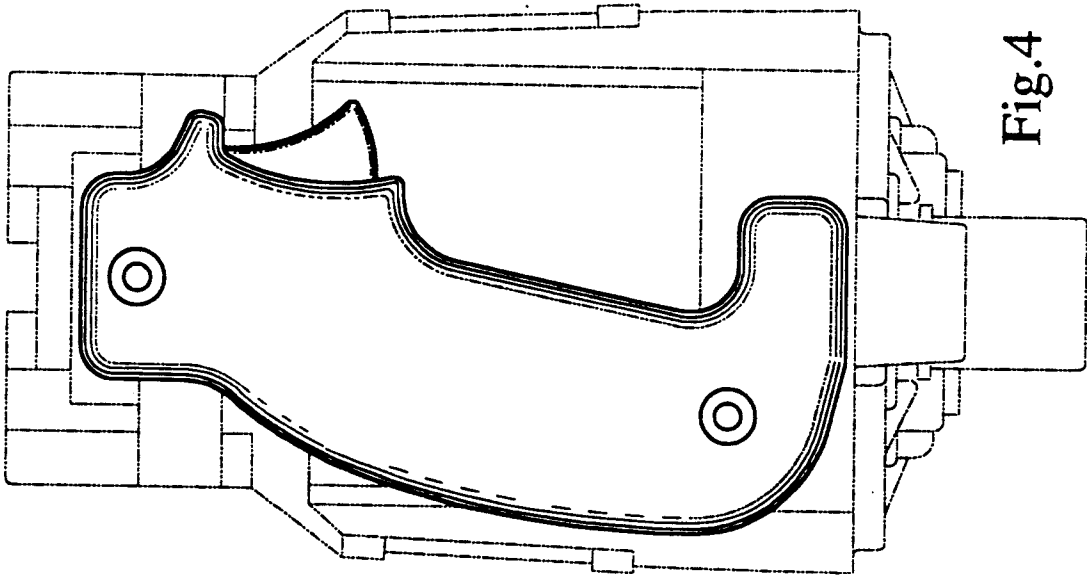


Fig.4

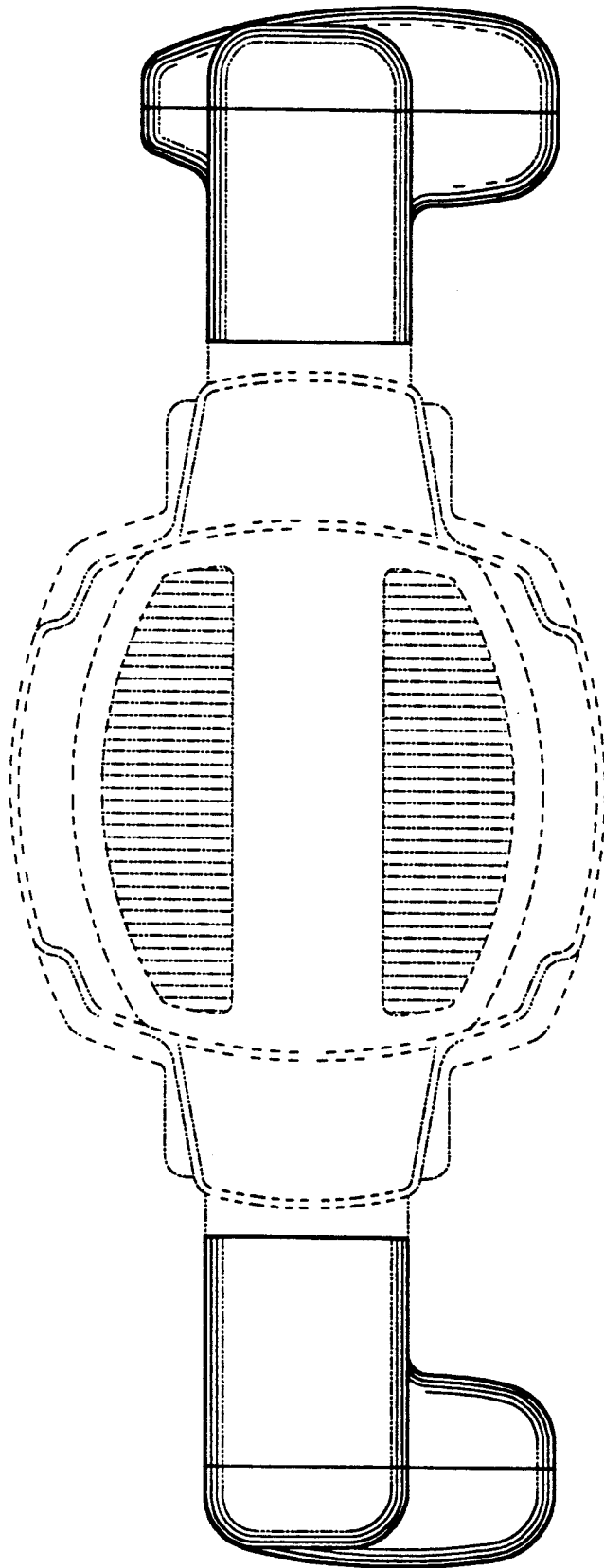


Fig.6

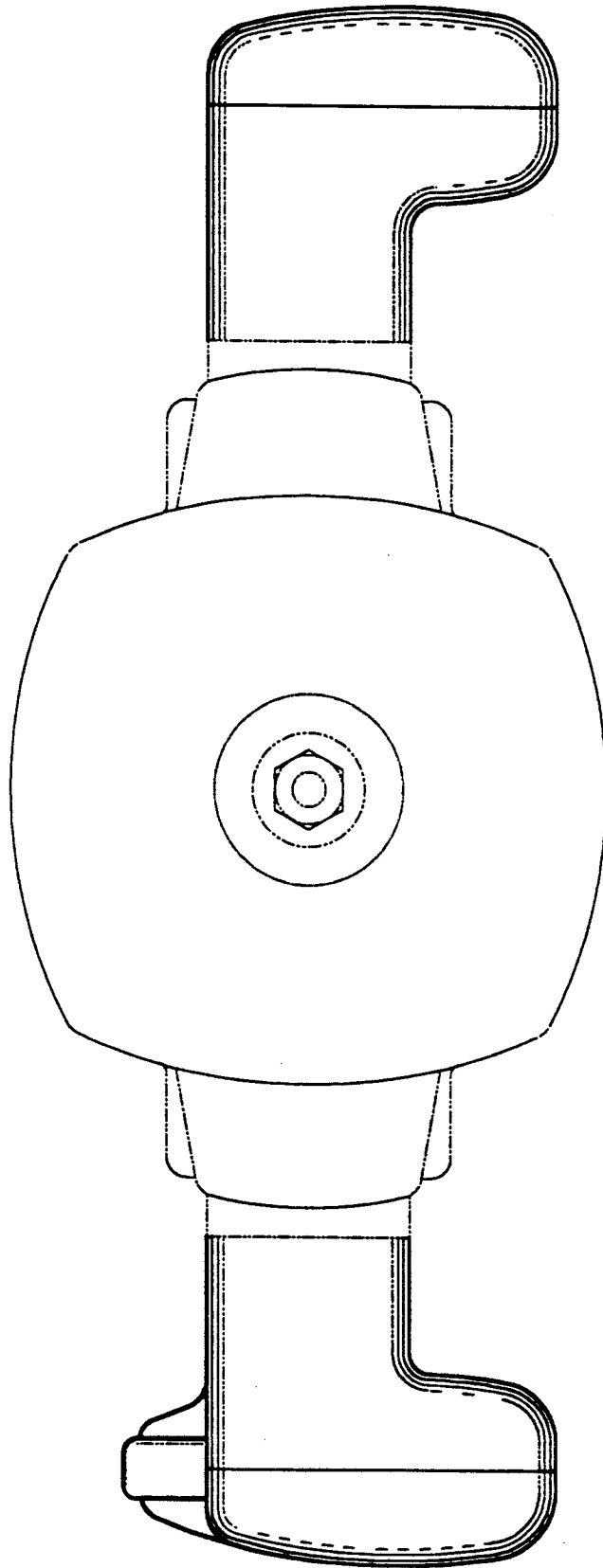


Fig. 7