

(19) World Intellectual Property Organization
International Bureau



(43) International Publication Date
27 March 2008 (27.03.2008)

PCT

(10) International Publication Number
WO 2008/036641 A3

(51) International Patent Classification:
B65B 9/04 (2006.01)

(21) International Application Number:
PCT/US2007/078744

(22) International Filing Date:
18 September 2007 (18.09.2007)

(25) Filing Language: English

(26) Publication Language: English

(30) Priority Data:
60/846,188 20 September 2006 (20.09.2006) US

(71) Applicant (for all designated States except US): **PREGIS INNOVATIVE PACKAGING INC.** [US/US]; 1650 Lake Cook Road, Deerfield, Illinois 60015 (US).

(72) Inventors; and

(75) Inventors/Applicants (for US only): **WETSCH, Thomas, D.** [US/US]; 1503 Keim Court, St. Charles, Illinois 60174 (US). **SELLE, Paul, A.** [US/US]; 1146 E. Northwood Drive, Appleton, Wisconsin 54911 (US). **HEIN, Mitchell, J.** [US/US]; 1921 Strawberry Lane, Green Bay, Wisconsin 54304 (US).

(74) Agents: **GOULD, E. Bradley** et al.; Winston & Strawn LLP, Patent Department, 1700 K Street, N.W., Washington, District Of Columbia, 20006-3817 (US).

(81) Designated States (unless otherwise indicated, for every kind of national protection available): AE, AG, AL, AM, AT, AU, AZ, BA, BB, BG, BH, BR, BW, BY, BZ, CA, CH, CN, CO, CR, CU, CZ, DE, DK, DM, DO, DZ, EC, EE, EG, ES, FI, GB, GD, GE, GH, GM, GT, HN, HR, HU, ID, IL, IN, IS, JP, KE, KG, KM, KN, KP, KR, KZ, LA, LC, LK, LR, LS, LT, LU, LY, MA, MD, ME, MG, MK, MN, MW, MX, MY, MZ, NA, NG, NI, NO, NZ, OM, PG, PH, PL, PT, RO, RS, RU, SC, SD, SE, SG, SK, SL, SM, SV, SY, TJ, TM, TN, TR, TT, TZ, UA, UG, US, UZ, VC, VN, ZA, ZM, ZW.

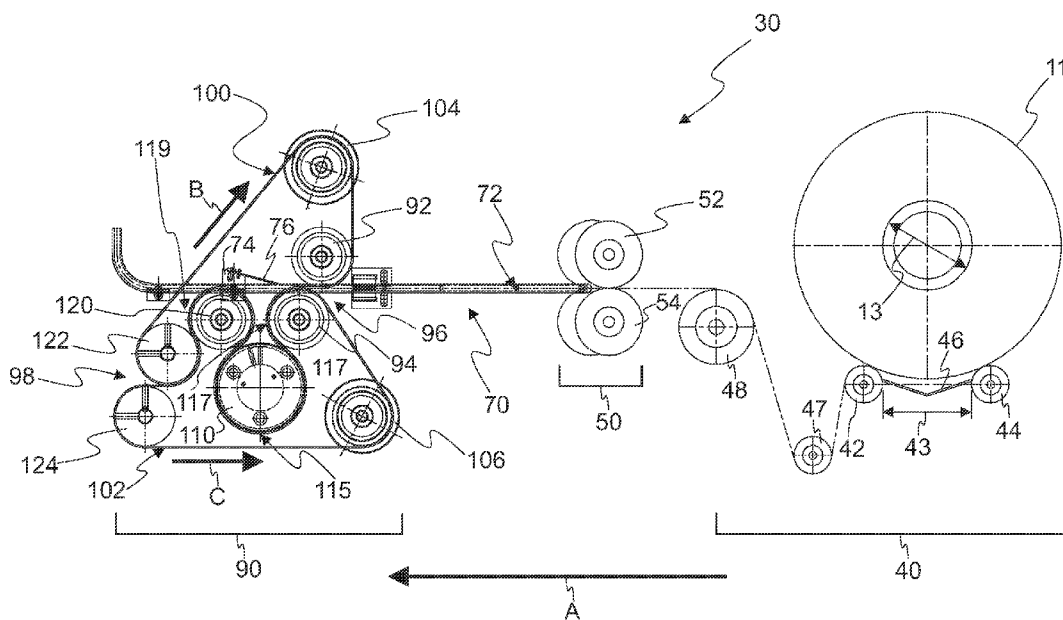
(84) Designated States (unless otherwise indicated, for every kind of regional protection available): ARIPO (BW, GH, GM, KE, LS, MW, MZ, NA, SD, SL, SZ, TZ, UG, ZM, ZW), Eurasian (AM, AZ, BY, KG, KZ, MD, RU, TJ, TM), European (AT, BE, BG, CH, CY, CZ, DE, DK, EE, ES, FI, FR, GB, GR, HU, IE, IS, IT, LT, LU, LV, MC, MT, NL, PL, PT, RO, SE, SI, SK, TR), OAPI (BF, BJ, CF, CG, CI, CM, GA, GN, GQ, GW, ML, MR, NE, SN, TD, TG).

Published:

- with international search report
- before the expiration of the time limit for amending the claims and to be republished in the event of receipt of amendments

(88) Date of publication of the international search report:
14 August 2008

(54) Title: INFLATION AND SEALING DEVICE FOR INFLATABLE AIR CUSHIONS



(57) Abstract: The invention is directed to a device (30) for inflating and sealing an inflatable structure, such as inflatable cushions (28). The device includes an assembly (70) configured for inflating a cushion cavity disposed between first and second layers (20,22) of a film (10), and a sealing mechanism (90) that preferably includes a rotary sealing drum (110), which includes a heat source (116).

WO 2008/036641 A3

INTERNATIONAL SEARCH REPORT

International application No
PCT/US2007/078744A. CLASSIFICATION OF SUBJECT MATTER
INV. B65B9/04

According to International Patent Classification (IPC) or to both national classification and IPC

B. FIELDS SEARCHED

Minimum documentation searched (classification system followed by classification symbols)
B65B

Documentation searched other than minimum documentation to the extent that such documents are included in the fields searched

Electronic data base consulted during the international search (name of data base and, where practical, search terms used)

EPO-Internal, WPI Data, PAJ

C. DOCUMENTS CONSIDERED TO BE RELEVANT

Category*	Citation of document, with indication, where appropriate, of the relevant passages	Relevant to claim No.
X Y	US 2006/110581 A1 (PERKINS ANDREW [US] ET AL) 25 May 2006 (2006-05-25) the whole document	1, 2, 8, 9, 20 4-7, 10, 11, 14-19
Y	EP 1 666 232 A (SEALED AIR CORP [US]) 7 June 2006 (2006-06-07) paragraph [0052]	4
Y	US 6 209 286 B1 (PERKINS ANDREW [US] ET AL) 3 April 2001 (2001-04-03) cited in the application the whole document	5-7
Y	US 2004/206050 A1 (FUSS GUNTER G [US] ET AL) 21 October 2004 (2004-10-21) page 2, paragraph 32 - page 3, paragraph 53	10, 11, 14-19
	----- -/--	

 Further documents are listed in the continuation of Box C. See patent family annex.

* Special categories of cited documents :

- *A* document defining the general state of the art which is not considered to be of particular relevance
- *E* earlier document but published on or after the international filing date
- *L* document which may throw doubts on priority claim(s) or which is cited to establish the publication date of another citation or other special reason (as specified)
- *O* document referring to an oral disclosure, use, exhibition or other means
- *P* document published prior to the international filing date but later than the priority date claimed

- *T* later document published after the international filing date or priority date and not in conflict with the application but cited to understand the principle or theory underlying the invention
- *X* document of particular relevance; the claimed invention cannot be considered novel or cannot be considered to involve an inventive step when the document is taken alone
- *Y* document of particular relevance; the claimed invention cannot be considered to involve an inventive step when the document is combined with one or more other such documents, such combination being obvious to a person skilled in the art.
- * & * document member of the same patent family

Date of the actual completion of the international search

29 May 2008

Date of mailing of the international search report

04/06/2008

Name and mailing address of the ISA/

European Patent Office, P.B. 5818 Patentlaan 2
NL - 2280 HV Rijswijk
Tel. (+31-70) 340-2040, Tx. 31 651 epo nl,
Fax: (+31-70) 340-3016

Authorized officer

Ungureanu, Mirela

INTERNATIONAL SEARCH REPORT

International application No
PCT/US2007/078744

C(Continuation). DOCUMENTS CONSIDERED TO BE RELEVANT		
Category*	Citation of document, with indication, where appropriate, of the relevant passages	Relevant to claim No.
A	US 3 389 534 A (PENDLETON JOHN M) 25 June 1968 (1968-06-25) figures 7,8 -----	1,20
A	US 3 703 430 A (RICH JOSEPH L) 21 November 1972 (1972-11-21) figures 1,2 -----	1,20

INTERNATIONAL SEARCH REPORT

International application No.
PCT/US2007/078744

Box No. II Observations where certain claims were found unsearchable (Continuation of item 2 of first sheet)

This international search report has not been established in respect of certain claims under Article 17(2)(a) for the following reasons:

1. Claims Nos.:
because they relate to subject matter not required to be searched by this Authority, namely:

2. Claims Nos.:
because they relate to parts of the international application that do not comply with the prescribed requirements to such an extent that no meaningful international search can be carried out, specifically:

3. Claims Nos.:
because they are dependent claims and are not drafted in accordance with the second and third sentences of Rule 6.4(a).

Box No. III Observations where unity of invention is lacking (Continuation of item 3 of first sheet)

This International Searching Authority found multiple inventions in this international application, as follows:

see additional sheet

1. As all required additional search fees were timely paid by the applicant, this international search report covers allsearchable claims.
2. As all searchable claims could be searched without effort justifying an additional fees, this Authority did not invite payment of additional fees.
3. As only some of the required additional search fees were timely paid by the applicant, this international search report covers only those claims for which fees were paid, specifically claims Nos.:
4. No required additional search fees were timely paid by the applicant. Consequently, this international search report is restricted to the invention first mentioned in the claims; it is covered by claims Nos.:

Remark on Protest

- The additional search fees were accompanied by the applicant's protest and, where applicable, the payment of a protest fee.
- The additional search fees were accompanied by the applicant's protest but the applicable protest fee was not paid within the time limit specified in the invitation.
- No protest accompanied the payment of additional search fees.

FURTHER INFORMATION CONTINUED FROM PCT/ISA/ 210

This International Searching Authority found multiple (groups of) inventions in this international application, as follows:

1. claims: 1,20

an inflation and sealing device comprising inflation assembly and a sealing mechanism with a sealing drum

1.1. claims: 2,3,8,9

referring to the rotary sealing drum

1.2. claim: 4

refers to the sealing mechanism in general

1.3. claims: 5,6

referring to the cutting part

1.4. claim: 7

referring to the tension roller that hold the film

2. claims: 10-18

an inflation and sealing device comprising inflation assembly and a sealing mechanism and belts for nipping there between the edge portions of the film

3. claim: 19

an inflation and sealing device comprising inflation assembly, a sealing mechanism and rollers with a special configuration that permits the bias of the opposite film edges

INTERNATIONAL SEARCH REPORT

information on patent family members

International application No PCT/US2007/078744
--

Patent document cited in search report	Publication date	Publication date	Patent family member(s)	Publication date
US 2006110581	A1	25-05-2006	NONE	
EP 1666232	A	07-06-2006	AU 2005227415 A1 CA 2525194 A1 NZ 543339 A US 2006090839 A1	18-05-2006 03-05-2006 29-06-2007 04-05-2006
US 6209286	B1	03-04-2001	AU 3511700 A WO 0053501 A1	28-09-2000 14-09-2000
US 2004206050	A1	21-10-2004	NONE	
US 3389534	A	25-06-1968	NONE	
US 3703430	A	21-11-1972	NONE	