



(43) International Publication Date
28 March 2013 (28.03.2013)

(51) International Patent Classification:
A61H 1/02 (2006.01)

(21) International Application Number:
PCT/NO2012/050179

(22) International Filing Date:
19 September 2012 (19.09.2012)

(25) Filing Language: English

(26) Publication Language: English

(30) Priority Data:
20111278 21 September 2011 (21.09.2011) NO

(71) Applicant: MADE FOR MOVEMENT [NO/NO];
Rødmyrlia 2, N-3740 Skien (NO).

(72) Inventor; and

(71) Applicant (for US only): OLSEN, Ånund [NO/NO];
Venstøpkroken 11, N-3721 Skien (NO).

(74) Agent: OSLO PATENTKONTOR AS; Postboks 7007M,
N-0306 Oslo (NO).

(81) Designated States (unless otherwise indicated, for every
kind of national protection available): AE, AG, AL, AM,
AO, AT, AU, AZ, BA, BB, BG, BH, BN, BR, BW, BY,
BZ, CA, CH, CL, CN, CO, CR, CU, CZ, DE, DK, DM,
DO, DZ, EC, EE, EG, ES, FI, GB, GD, GE, GH, GM, GT,

HN, HR, HU, ID, IL, IN, IS, JP, KE, KG, KM, KN, KP,
KR, KZ, LA, LC, LK, LR, LS, LT, LU, LY, MA, MD,
ME, MG, MK, MN, MW, MX, MY, MZ, NA, NG, NI,
NO, NZ, OM, PA, PE, PG, PH, PL, PT, QA, RO, RS, RU,
RW, SC, SD, SE, SG, SK, SL, SM, ST, SV, SY, TH, TJ,
TM, TN, TR, TT, TZ, UA, UG, US, UZ, VC, VN, ZA,
ZM, ZW.

(84) Designated States (unless otherwise indicated, for every
kind of regional protection available): ARIPO (BW, GH,
GM, KE, LR, LS, MW, MZ, NA, RW, SD, SL, SZ, TZ,
UG, ZM, ZW), Eurasian (AM, AZ, BY, KG, KZ, RU, TJ,
TM), European (AL, AT, BE, BG, CH, CY, CZ, DE, DK,
EE, ES, FI, FR, GB, GR, HR, HU, IE, IS, IT, LT, LU, LV,
MC, MK, MT, NL, NO, PL, PT, RO, RS, SE, SI, SK, SM,
TR), OAPI (BF, BJ, CF, CG, CI, CM, GA, GN, GQ, GW,
ML, MR, NE, SN, TD, TG).

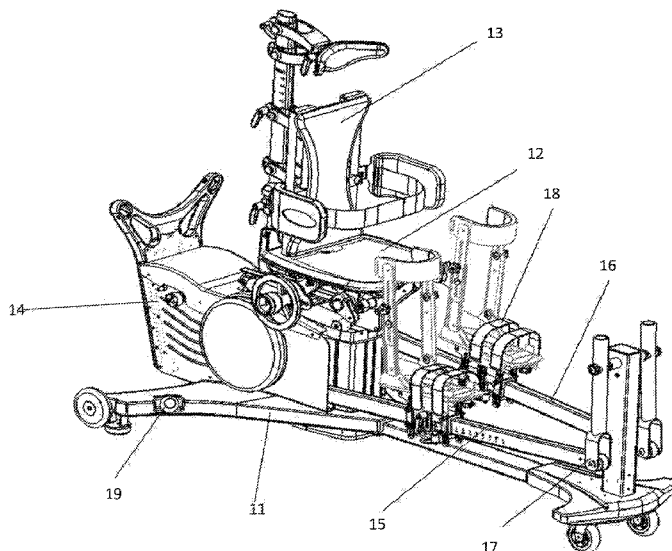
Published:

- with international search report (Art. 21(3))
- before the expiration of the time limit for amending the
claims and to be republished in the event of receipt of
amendments (Rule 48.2(h))

(88) Date of publication of the international search report:
17 April 2014

(54) Title: TRAINING APPARATUS FOR THE DISABLED

Fig. 1



(57) Abstract: Training apparatus for the disabled, comprising a number of rods with attachments for foot, where one end of the rod is includes a slidable bearing for linear movements, and the other end is connected to an arm being attached to a shaft, characterized by that it further comprises a device that can connect/release the shafts to/from each other, and an operational device being connected to one of the shafts to rotate the shafts.



INTERNATIONAL SEARCH REPORT

International application No
PCT/N02012/050179

A. CLASSIFICATION OF SUBJECT MATTER INV. A61H1/02 ADD.		
According to International Patent Classification (IPC) or to both national classification and IPC		
B. FIELDS SEARCHED		
Minimum documentation searched (classification system followed by classification symbols) A61H		
Documentation searched other than minimum documentation to the extent that such documents are included in the fields searched		
Electronic data base consulted during the international search (name of data base and, where practicable, search terms used) EPO-Internal, WPI Data		
C. DOCUMENTS CONSIDERED TO BE RELEVANT		
Category*	Citation of document, with indication, where appropriate, of the relevant passages	Relevant to claim No.
A	US 7 951 048 B1 (HSIUNG BOB [US]) 31 May 2011 (2011-05-31) the whole document	1
A	US 4 550 906 A (IM DARRYL [US]) 5 November 1985 (1985-11-05) figures 3-7	1
<input type="checkbox"/> Further documents are listed in the continuation of Box C. <input checked="" type="checkbox"/> See patent family annex.		
* Special categories of cited documents : "A" document defining the general state of the art which is not considered to be of particular relevance "E" earlier application or patent but published on or after the international filing date "L" document which may throw doubts on priority claim(s) or which is cited to establish the publication date of another citation or other special reason (as specified) "O" document referring to an oral disclosure, use, exhibition or other means "P" document published prior to the international filing date but later than the priority date claimed "T" later document published after the international filing date or priority date and not in conflict with the application but cited to understand the principle or theory underlying the invention "X" document of particular relevance; the claimed invention cannot be considered novel or cannot be considered to involve an inventive step when the document is taken alone "Y" document of particular relevance; the claimed invention cannot be considered to involve an inventive step when the document is combined with one or more other such documents, such combination being obvious to a person skilled in the art "&" document member of the same patent family		
Date of the actual completion of the international search 14 March 2013		Date of mailing of the international search report 18/02/2014
Name and mailing address of the ISA/ European Patent Office, P.B. 5818 Patentlaan 2 NL - 2280 HV Rijswijk Tel. (+31-70) 340-2040, Fax: (+31-70) 340-3016		Authorized officer Knoflacher, Nikolaus

INTERNATIONAL SEARCH REPORT

International application No.
PCT/N02012/050179

Box No. II Observations where certain claims were found unsearchable (Continuation of item 2 of first sheet)

This international search report has not been established in respect of certain claims under Article 17(2)(a) for the following reasons:

1. Claims Nos.:
because they relate to subject matter not required to be searched by this Authority, namely:

2. Claims Nos.:
because they relate to parts of the international application that do not comply with the prescribed requirements to such an extent that no meaningful international search can be carried out, specifically:

3. Claims Nos.:
because they are dependent claims and are not drafted in accordance with the second and third sentences of Rule 6.4(a).

Box No. III Observations where unity of invention is lacking (Continuation of item 3 of first sheet)

This International Searching Authority found multiple inventions in this international application, as follows:

see additional sheet

1. As all required additional search fees were timely paid by the applicant, this international search report covers all searchable claims.

2. As all searchable claims could be searched without effort justifying an additional fees, this Authority did not invite payment of additional fees.

3. As only some of the required additional search fees were timely paid by the applicant, this international search report covers only those claims for which fees were paid, specifically claims Nos.:

4. No required additional search fees were timely paid by the applicant. Consequently, this international search report is restricted to the invention first mentioned in the claims; it is covered by claims Nos.:

1

Remark on Protest

- The additional search fees were accompanied by the applicant's protest and, where applicable, the payment of a protest fee.
- The additional search fees were accompanied by the applicant's protest but the applicable protest fee was not paid within the time limit specified in the invitation.
- No protest accompanied the payment of additional search fees.

FURTHER INFORMATION CONTINUED FROM PCT/ISA/ 210

This International Searching Authority found multiple (groups of) inventions in this international application, as follows:

1. claim: 1

training apparatus for disabled persons
special technical feature: first and second rod connectable
or disconnectable by a device
problem solved: allowing the disable person to train the
legs together or individually

2. claims: 2-5

device for rotational connection of two shafts
special technical feature: connection having recesses, a
sleeve with holes and locking balls
problem solved: improving a lockable connection between two
shafts

INTERNATIONAL SEARCH REPORT

Information on patent family members

International application No

PCT/N02012/050179

Patent document cited in search report	Publication date	Patent family member(s)	Publication date
US 7951048	B1	31-05-2011	NONE

US 4550906	A	05-11-1985	NONE
