



US00D765337S

(12) **United States Design Patent**
Swinehart

(10) **Patent No.:** **US D765,337 S**

(45) **Date of Patent:** **** Aug. 30, 2016**

- (54) **SPECIAL PALLET MOVER**
- (71) Applicant: **Eugene P Swinehart**, Newark, CA (US)
- (72) Inventor: **Eugene P Swinehart**, Newark, CA (US)
- (**) Term: **14 Years**
- (21) Appl. No.: **29/524,251**
- (22) Filed: **Apr. 17, 2015**
- (51) **LOC (10) Cl.** **12-02**
- (52) **U.S. Cl.**
USPC **D34/23**
- (58) **Field of Classification Search**
USPC D34/12-27, 28; 280/47.16, 47.34, 79.1, 280/47.15, 47.26
CPC B62B 2301/08; B62B 3/33; B62B 3/008; B25G 7/12; B25G 7/08
See application file for complete search history.

D349,384 S *	8/1994	Crinion	D34/12
6,234,499 B1 *	5/2001	Irwin	B60P 3/40
			280/63
6,264,184 B1 *	7/2001	Armstrong	B62B 1/268
			269/17
7,207,578 B2 *	4/2007	Shore	B62B 3/108
			280/47.34
D550,921 S *	9/2007	McMorris	D34/23
7,896,367 B1 *	3/2011	Suprono	B62B 1/268
			280/47.15
7,980,608 B2 *	7/2011	Pouliot	B65G 7/02
			294/15
D684,443 S *	6/2013	Thompson	D8/14
D717,513 S *	11/2014	Swinehart	D34/23
2003/0193203 A1 *	10/2003	DuBois	B65G 7/12
			294/15

* cited by examiner

Primary Examiner — Cynthia Ramirez
(74) *Attorney, Agent, or Firm* — Gerald R Prettyman

(57) **CLAIM**
The ornamental design for a special pallet mover, as shown.

DESCRIPTION

This application is related to Design patent application Ser. No. 29/466,918 filed Sep. 12, 2013 titled "Single Pallet Mover" which issued Nov. 11, 2014 as U.S. Pat. No. D717,513.

FIG. 1 is a side view of a special pallet mover, showing my new design.

FIG. 2 is a back view of a special pallet mover thereof.

FIG. 3 is a top view of a special pallet mover thereof.

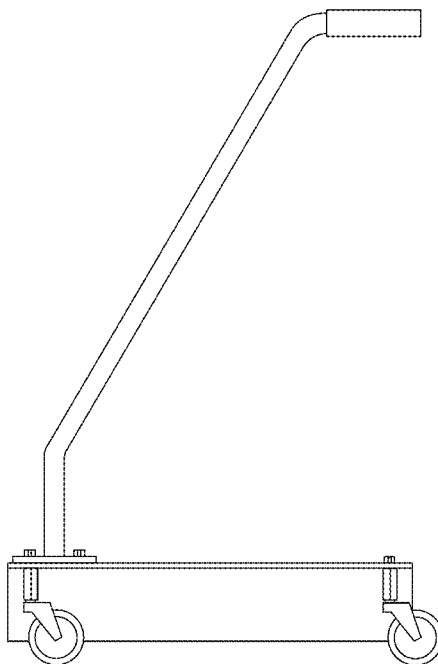
FIG. 4 is a bottom view of a special pallet mover thereof; and,

FIG. 5 is a perspective view thereof.

1 Claim, 5 Drawing Sheets

(56) **References Cited**
U.S. PATENT DOCUMENTS

D263,691 S *	4/1982	Streiff	D34/24
4,630,838 A *	12/1986	Stockton	B62B 3/108
			280/47.17
4,793,624 A *	12/1988	Mace	B62B 3/10
			280/47.16
D302,063 S *	7/1989	Frazier	280/47.34
5,069,495 A *	12/1991	Mears	B65G 7/12
			294/15
D340,337 S *	10/1993	Beasley	280/79.7
5,318,316 A *	6/1994	Shurtleff	B62B 1/268
			269/133



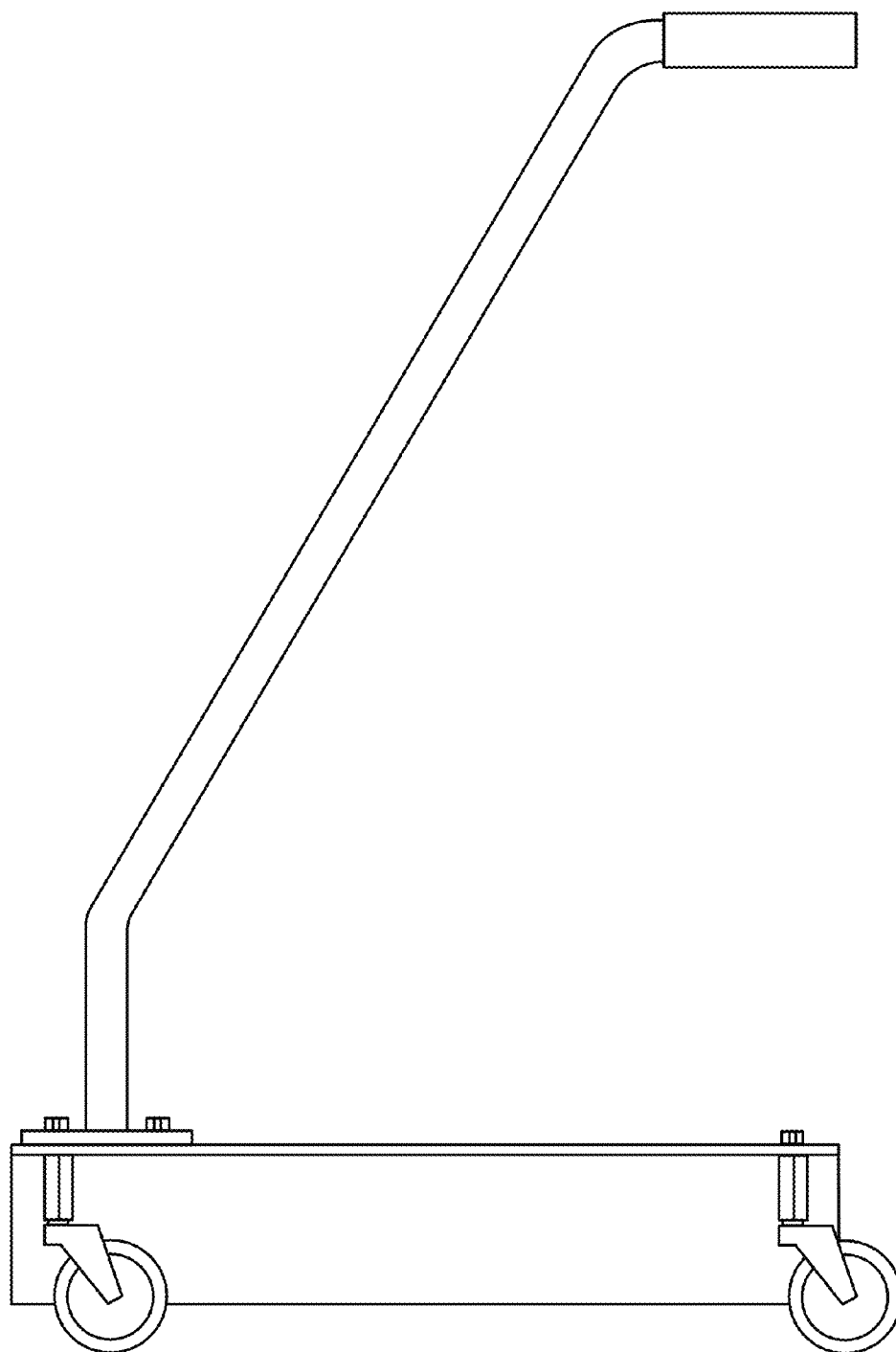


FIG. 1

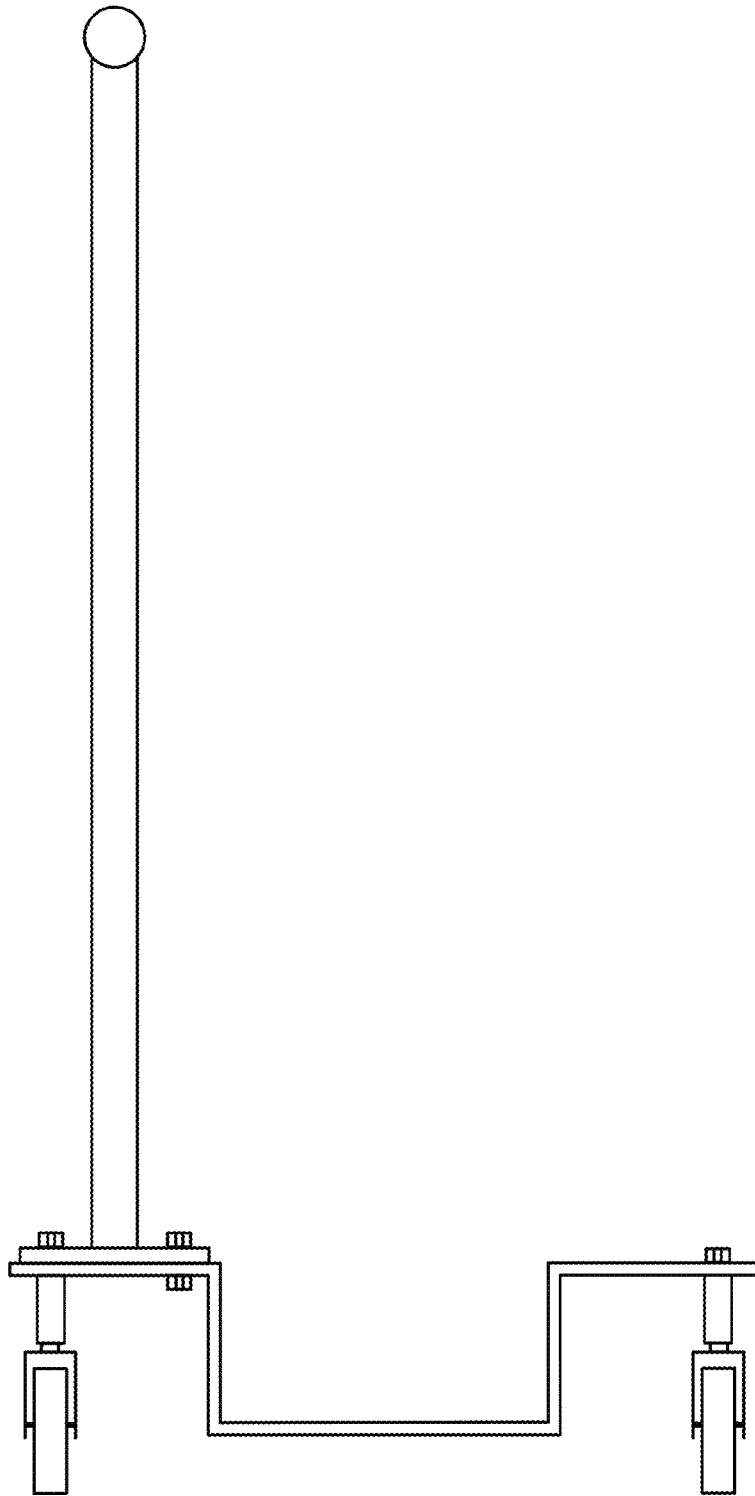


FIG. 2

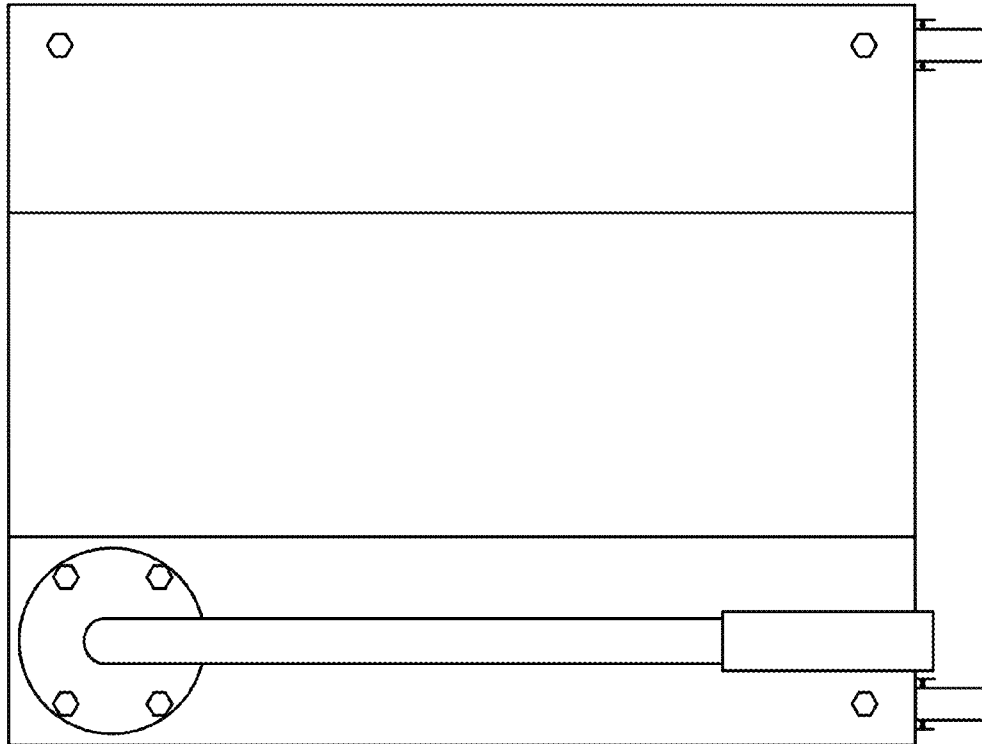


FIG. 3

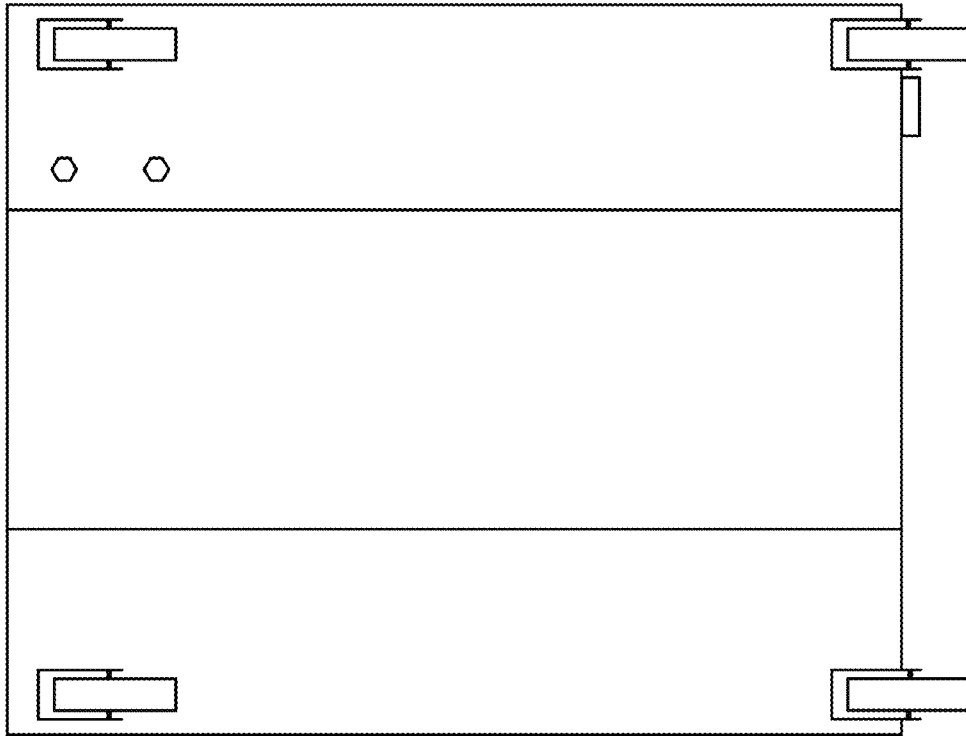


FIG. 4

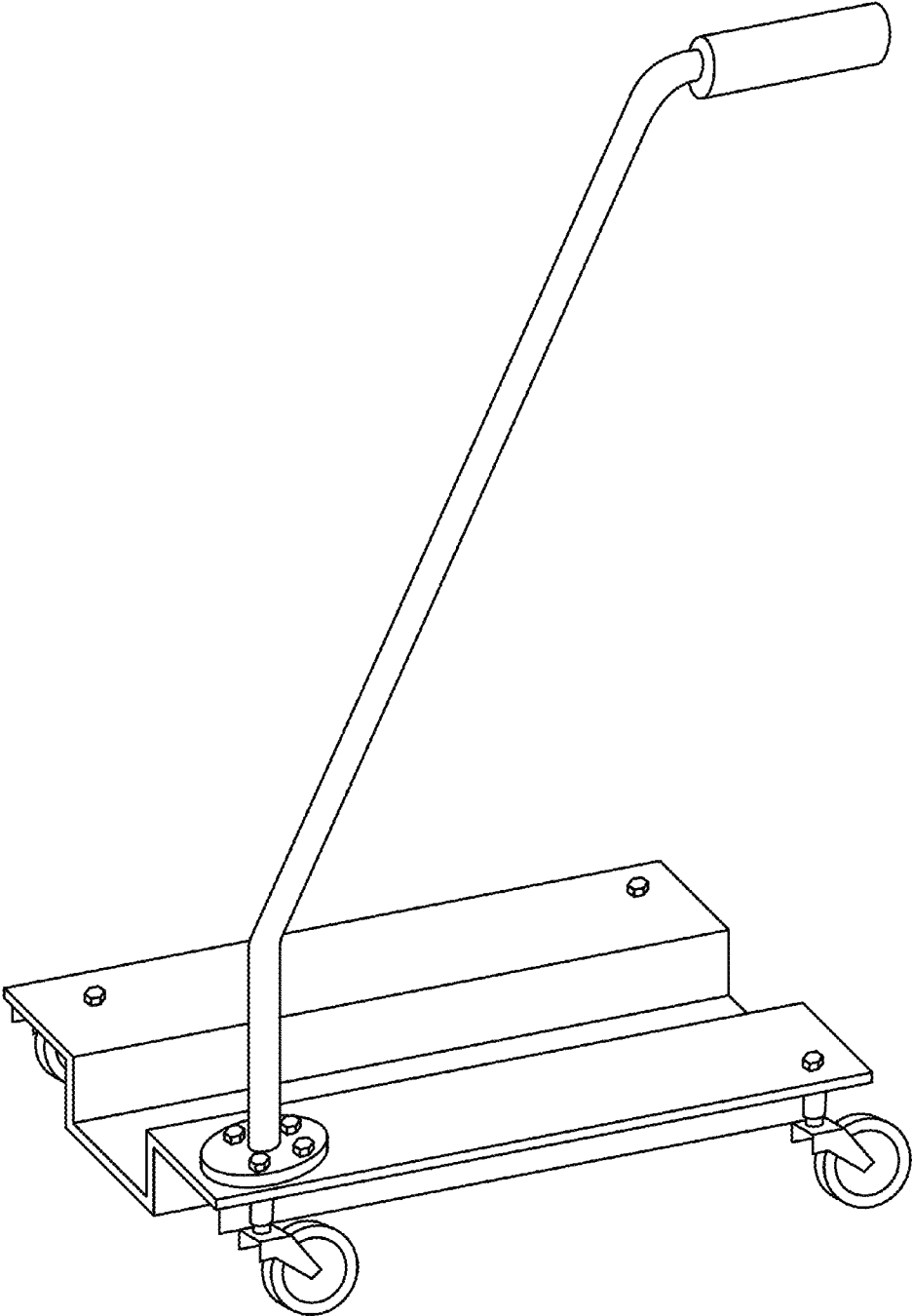


FIG. 5