



US00D788510S

(12) **United States Design Patent**  
**Steiner**

(10) **Patent No.:** **US D788,510 S**

(45) **Date of Patent:** **\*\* Jun. 6, 2017**

- (54) **COFFEEMAKER**
- (71) Applicant: **Hamilton Beach Brands, Inc.**, Glen Allen, VA (US)
- (72) Inventor: **Mark C Steiner**, Midlothian, VA (US)
- (73) Assignee: **Hamilton Beach Brands, Inc.**, Glen Allen, VA (US)
- (\*\*) Term: **15 Years**
- (21) Appl. No.: **29/553,917**

D590,651 S *	4/2009	O'Loughlin	.....	D7/309
D602,729 S	10/2009	Dahlstrom	.....	
D628,007 S *	11/2010	Di Bitonto	.....	D7/309
D678,718 S *	3/2013	Grassia	.....	D7/309
D686,033 S *	7/2013	Burton	.....	D7/306
D702,237 S *	4/2014	Oberpriller	.....	D14/420
D721,531 S *	1/2015	Krasne	.....	D7/309
D726,483 S *	4/2015	Lin	.....	D7/309
D732,329 S *	6/2015	Palermo	.....	D7/306
D757,479 S *	5/2016	Steiner	.....	D7/309
D760,529 S *	7/2016	Hakansson	.....	D7/306
D770,215 S *	11/2016	Vu	.....	D7/309
D775,887 S *	1/2017	Atkin	.....	D7/306

\* cited by examiner

- (22) Filed: **Feb. 5, 2016**
- (51) **LOC (10) Cl.** ..... **07-01**
- (52) **U.S. Cl.**  
USPC ..... **D7/309; D7/311; D7/306**
- (58) **Field of Classification Search**  
USPC ..... **D7/305-311, 313; D15/82; 222/129.1, 222/146.6; 99/295**  
CPC ..... **A47J 31/44; A47J 31/4403; A47J 31/46; A47J 31/4482; A47J 31/369; A47J 31/407; B67D 1/36; B67D 2210/0065; B67D 1/0864**  
See application file for complete search history.

*Primary Examiner* — Marianne Pandozzi  
(74) *Attorney, Agent, or Firm* — Alexander D. Raring

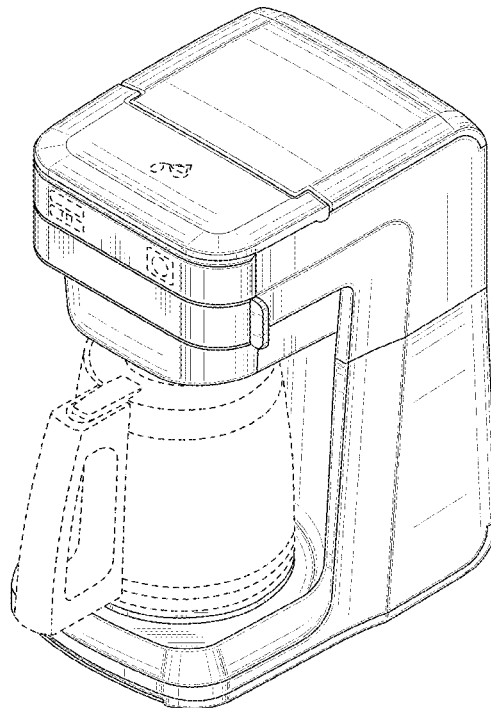
(57) **CLAIM**  
The ornamental design for a coffeemaker, as shown and described.

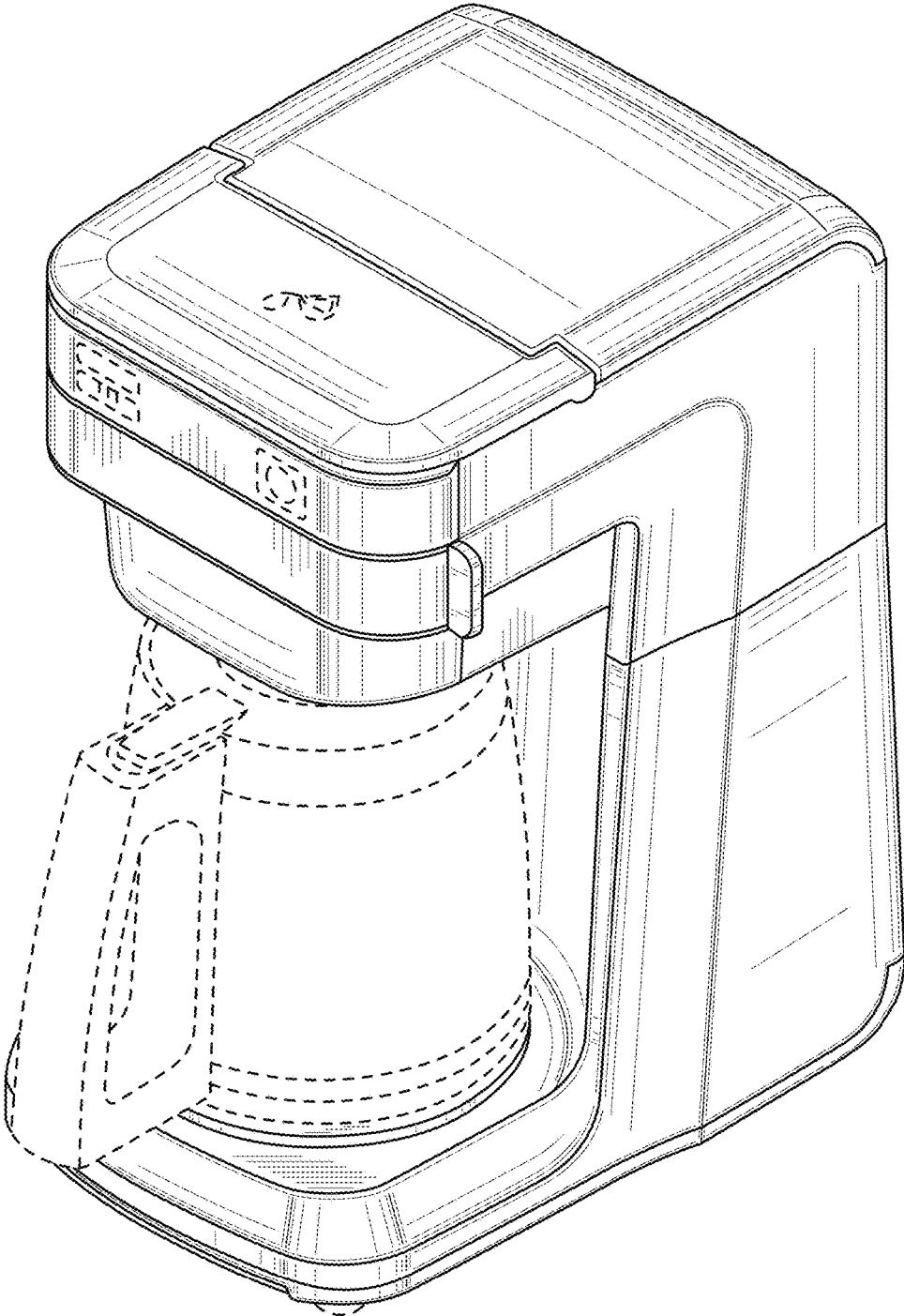
**DESCRIPTION**

FIG. 1 is a perspective view as seen from the top, front and right side of a coffeemaker showing the new design; FIG. 2 is a front view thereof; FIG. 3 is a rear view thereof; FIG. 4 is a right side view thereof; FIG. 5 is a left side view thereof; FIG. 6 is a top view thereof; and, FIG. 7 is a bottom view thereof.  
The broken lines in the drawings are included for illustrative purposes only and form no part of the claimed design.

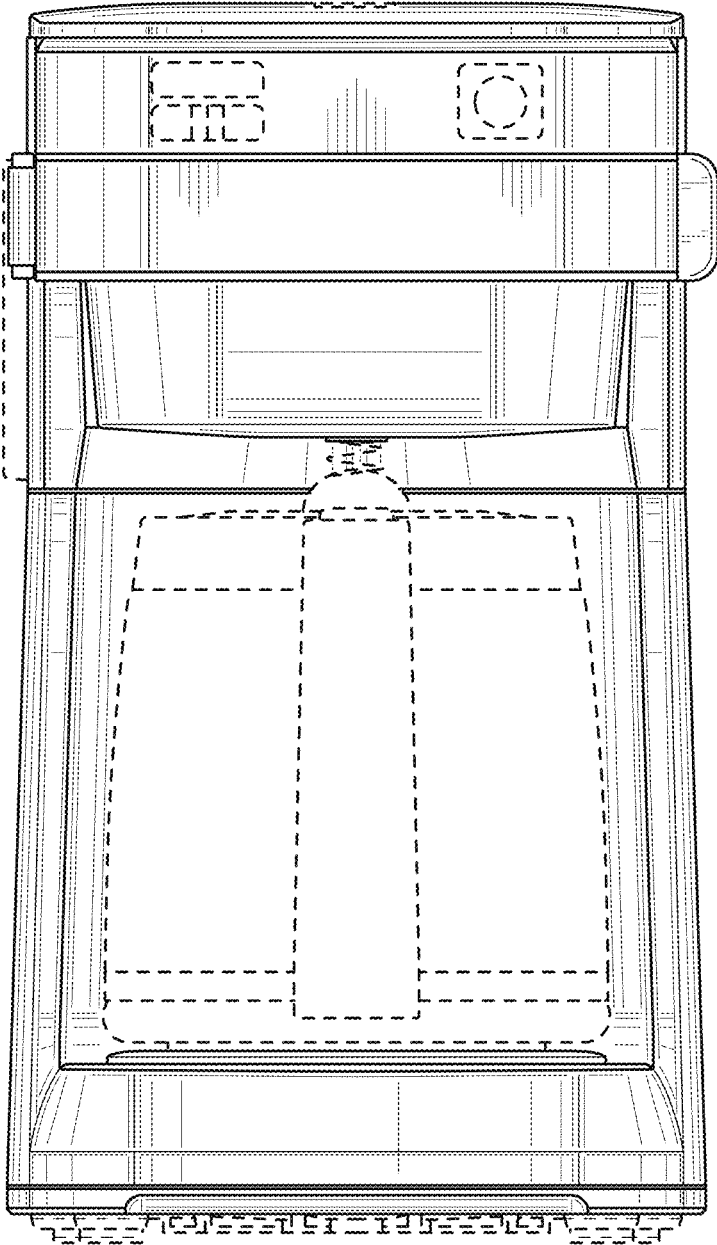
**1 Claim, 7 Drawing Sheets**

- (56) **References Cited**  
U.S. PATENT DOCUMENTS  
D317,546 S \* 6/1991 Rakocy ..... D7/309  
D489,217 S \* 5/2004 Seum ..... D7/309  
D541,097 S \* 4/2007 Leverrier ..... D7/300  
D545,110 S \* 6/2007 Julemont ..... D7/309  
D575,571 S \* 8/2008 Hammad ..... D7/300

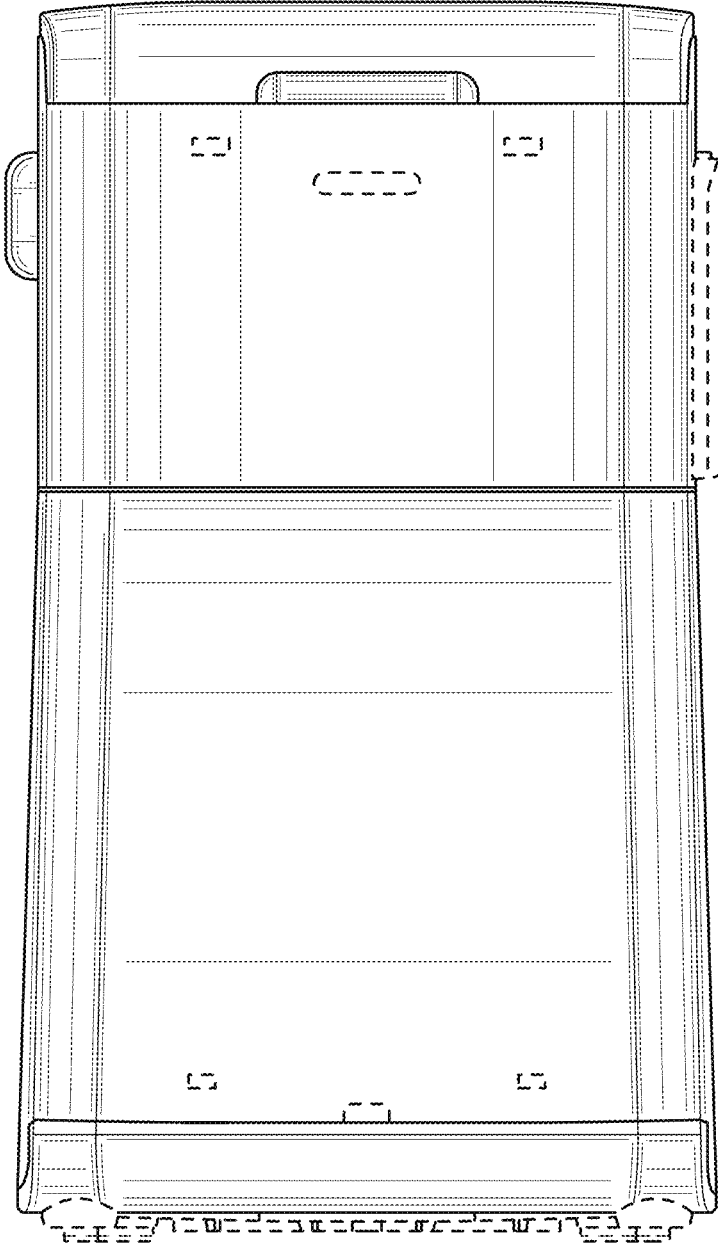




**FIG. 1**



**FIG. 2**



**FIG. 3**

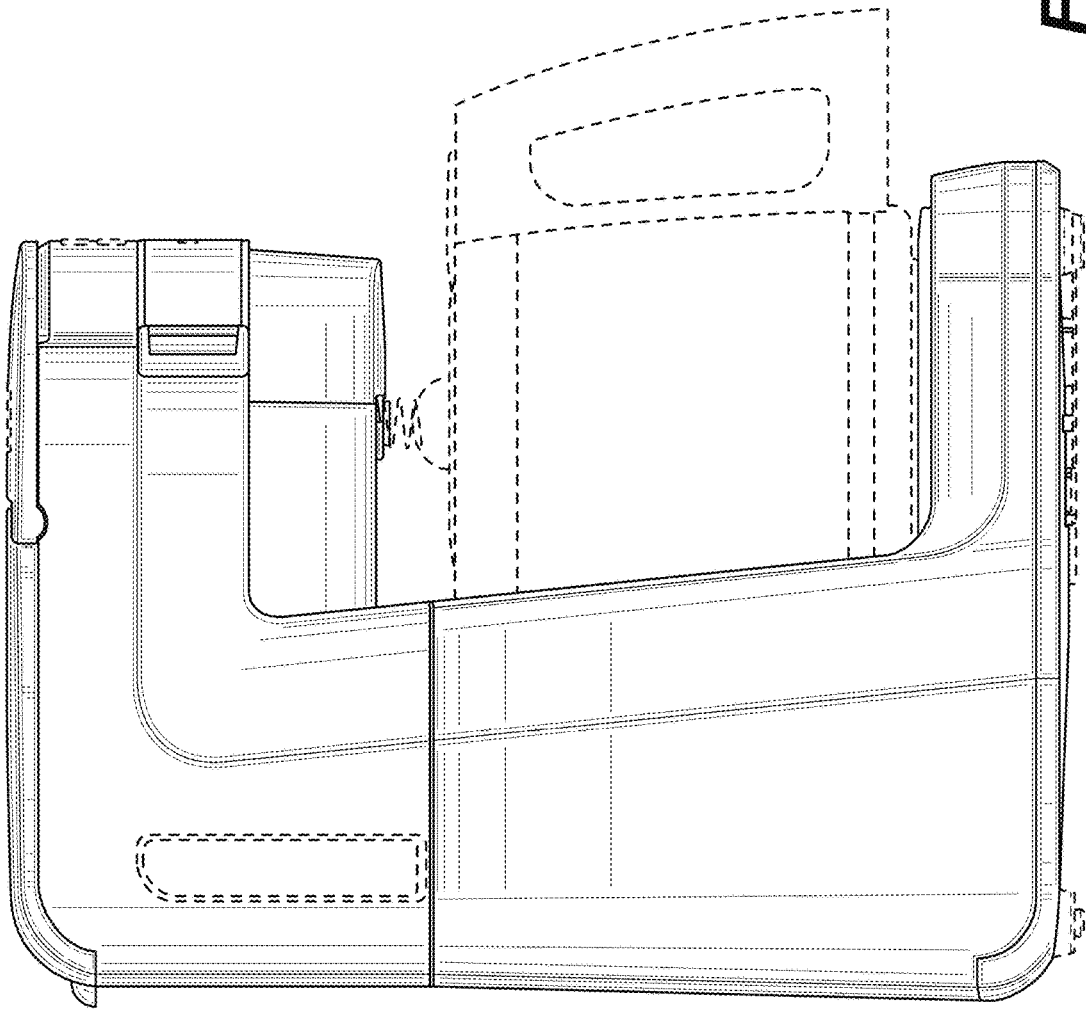


FIG. 4

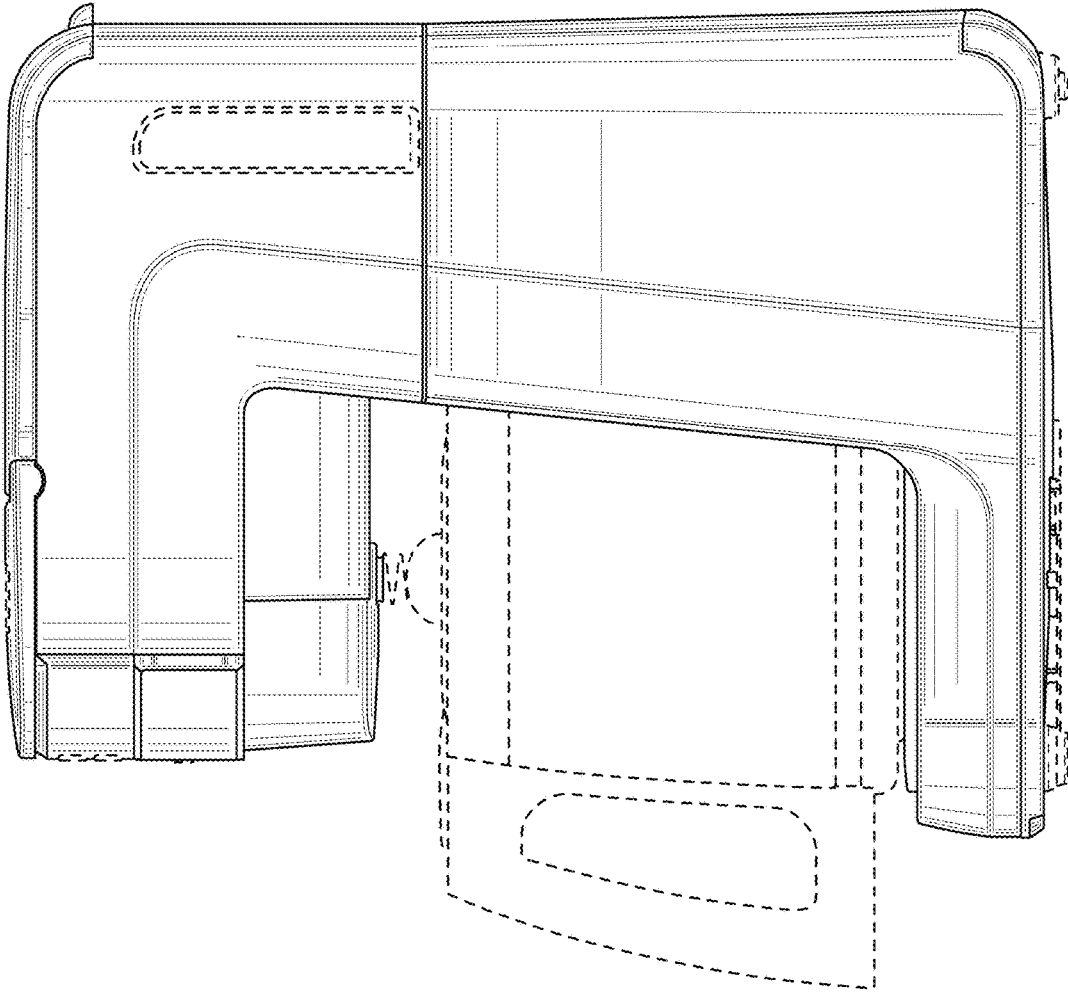
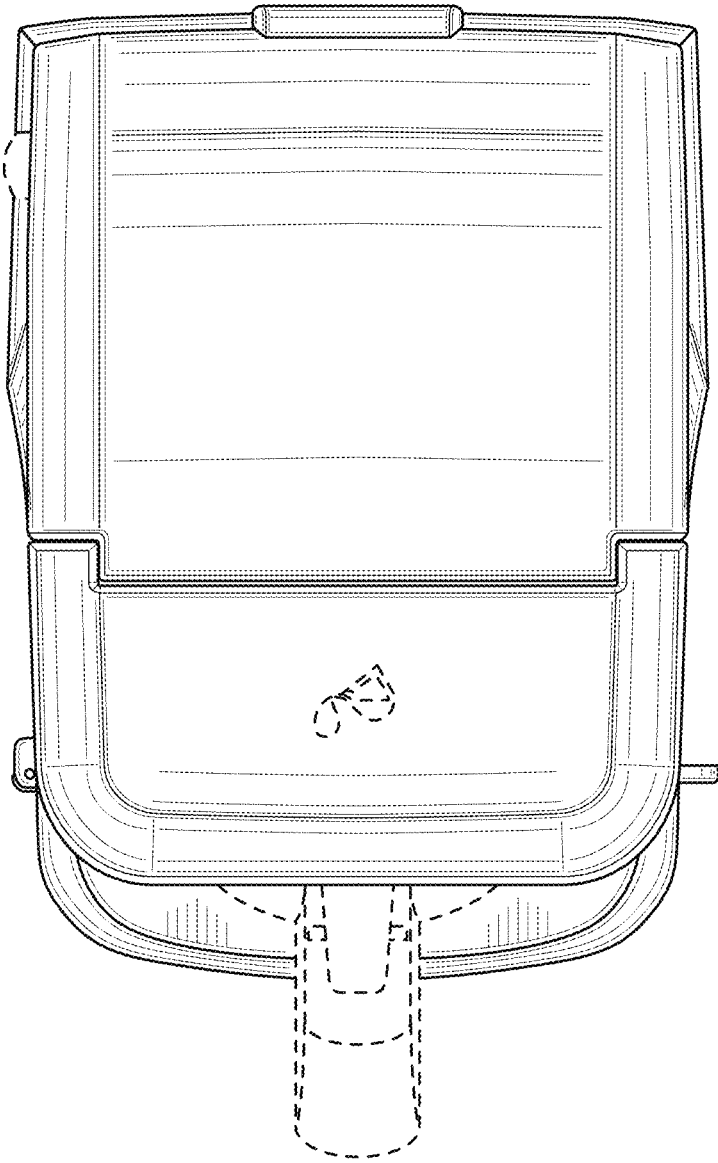
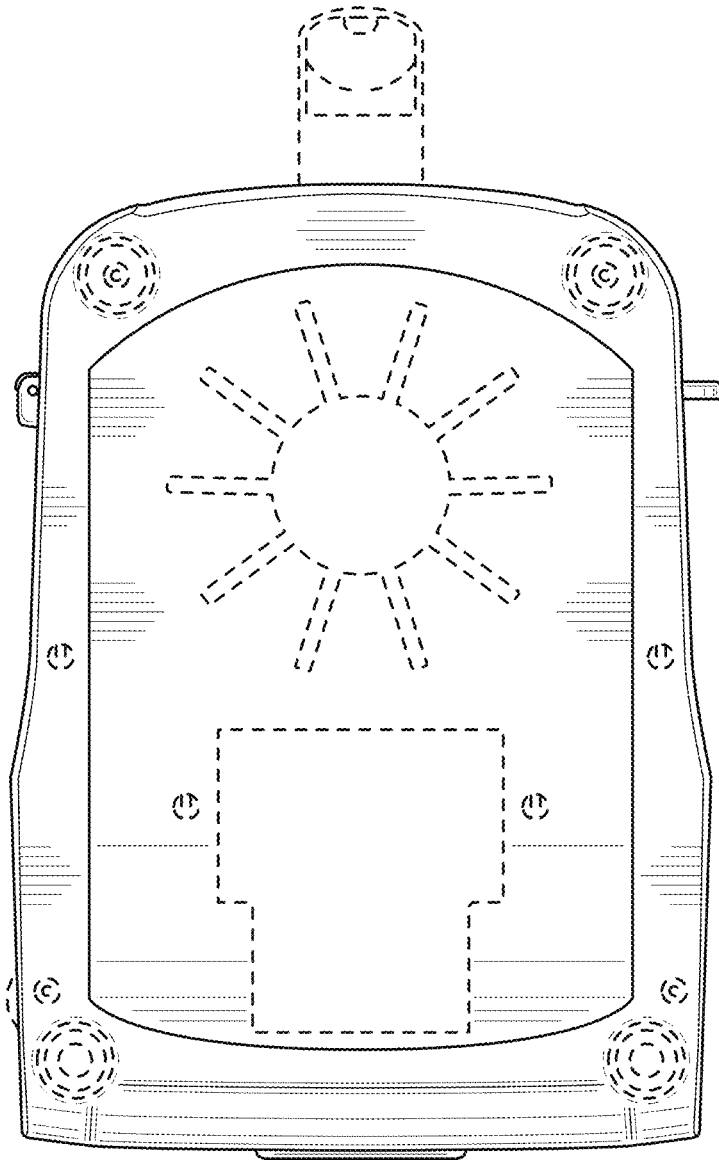


FIG. 5



**FIG. 6**



**FIG. 7**