



US00D780945S

(12) **United States Design Patent**  
**Guillemi**

(10) **Patent No.:** **US D780,945 S**

(45) **Date of Patent:** **\*\* Mar. 7, 2017**

- (54) **LOUVER ASSEMBLY**
- (71) Applicant: **Componenti USA LLC**, Miami, FL (US)
- (72) Inventor: **Magdiel Guillemi**, Miami, FL (US)
- (73) Assignee: **Componenti USA, LLC**, Miami, FL (US)
- (\*\*) Term: **15 Years**
- (21) Appl. No.: **29/546,485**
- (22) Filed: **Nov. 23, 2015**
- (51) **LOC (10) Cl.** ..... **25-01**
- (52) **U.S. Cl.**  
USPC ..... **D25/119**
- (58) **Field of Classification Search**  
USPC ..... D25/119-125; 160/395, 368.1; 52/396.04, 396.08, 396.52, 273, 277, 278, 52/279, 282.3, 283, 255, 799.11, 800.1, 52/800.11, 62, 169.5, 281, 282.1, 287.1, 52/288.1, 716.2, 716.8, 717.01, 371, 254, 52/461, 465, 471, 472, 473, 656.9; 49/92.1, 74.1  
CPC ..... E06B 1/02; E06B 1/04; E06B 1/16; E06B 1/36; E06B 1/52; E06B 3/22; E06B 3/24; E06B 1/524; E06B 1/68  
See application file for complete search history.

- 6,789,369 B1 \* 9/2004 Hughes ..... E06B 1/26 52/847
- D620,619 S \* 7/2010 Teffenhart, Jr. .... D25/123
- D621,961 S \* 8/2010 Gardner ..... D25/119

**OTHER PUBLICATIONS**

Renson. "Renson Catalogue", www.renson.eu. Web. Oct. 3, 2016, shown in p. 3, Item 23.\*

\* cited by examiner

*Primary Examiner* — Cynthia Ramirez  
*Assistant Examiner* — Gino Colan  
(74) *Attorney, Agent, or Firm* — Mark Terry

(57) **CLAIM**

The ornamental design for a louver assembly, as shown and described.

**DESCRIPTION**

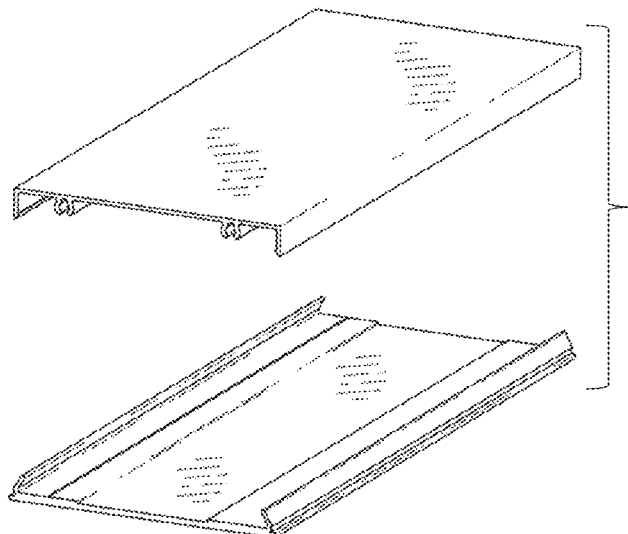
FIG. 1 is a top perspective view of a louver assembly, showing my new design in an assembled position;  
FIG. 2 is a top perspective exploded view thereof, in a disassembled position;  
FIG. 3 is a bottom perspective view thereof, in an assembled position;  
FIG. 4 is a left elevational view thereof, in an assembled position;  
FIG. 5 is a right elevational view thereof, in an assembled position;  
FIG. 6 is a top plan view thereof, in an assembled position;  
FIG. 7 is a bottom plan view thereof, in an assembled position;  
FIG. 8 is a front elevational view thereof, in an assembled position; and,  
FIG. 9 is a rear elevational view thereof, in an assembled position.

**1 Claim, 3 Drawing Sheets**

(56) **References Cited**

**U.S. PATENT DOCUMENTS**

- D289,202 S \* 4/1987 Hardy ..... D25/119
- D345,427 S \* 3/1994 Moss ..... D25/119
- D490,167 S \* 5/2004 Eichner ..... D25/119



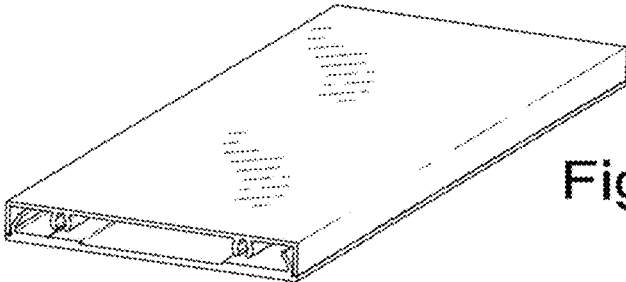


Fig. 1

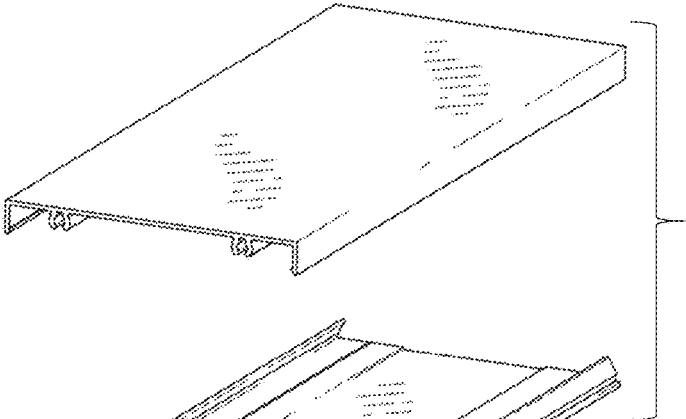


Fig. 2

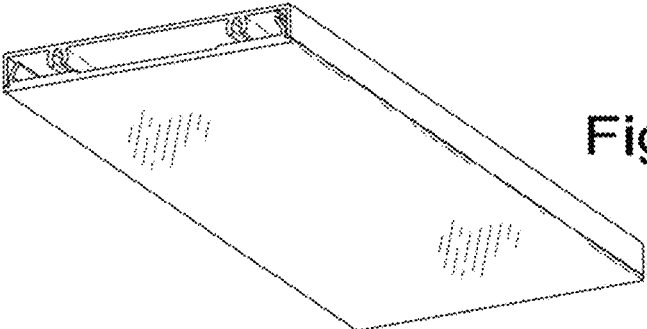


Fig. 3

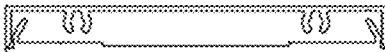


Fig. 4

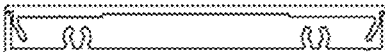


Fig. 5

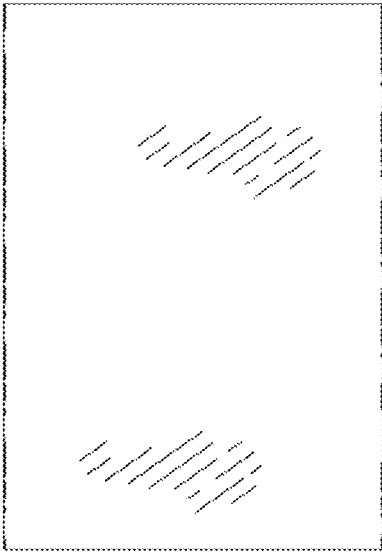


Fig. 6

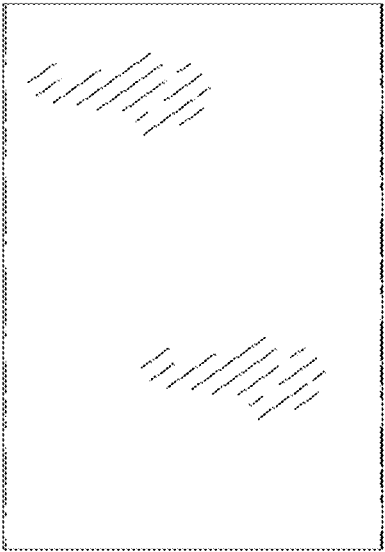


Fig. 7



Fig. 8



Fig. 9