

(19) World Intellectual Property Organization
International Bureau



(43) International Publication Date
16 December 2004 (16.12.2004)

PCT

(10) International Publication Number
WO 2004/107964 A3

(51) International Patent Classification:

A61B 5/00 (2006.01) A61B 19/00 (2006.01)
A61B 5/103 (2006.01) A61M 5/32 (2006.01)
A61B 10/00 (2006.01) A61M 37/00 (2006.01)
A61B 17/32 (2006.01)

(21) International Application Number:

PCT/US2004/018132

(22) International Filing Date: 7 June 2004 (07.06.2004)

(25) Filing Language: English

(26) Publication Language: English

(30) Priority Data:

60/476,584 6 June 2003 (06.06.2003) US
60/478,040 11 June 2003 (11.06.2003) US
60/478,704 13 June 2003 (13.06.2003) US
60/478,657 13 June 2003 (13.06.2003) US
60/478,682 13 June 2003 (13.06.2003) US
60/507,689 30 September 2003 (30.09.2003) US

(71) Applicant (for all designated States except US): PE-
LIKAN TECHNOLOGIES, INC. [US/US]; 1072 East
Meadow Circle, Palo Alto, CA 94303 (US).

(72) Inventors; and

(75) Inventors/Applicants (for US only): BRIGGS, Barry,
Dean [US/US]; 2070 Anthony Drive, Campbell, CA

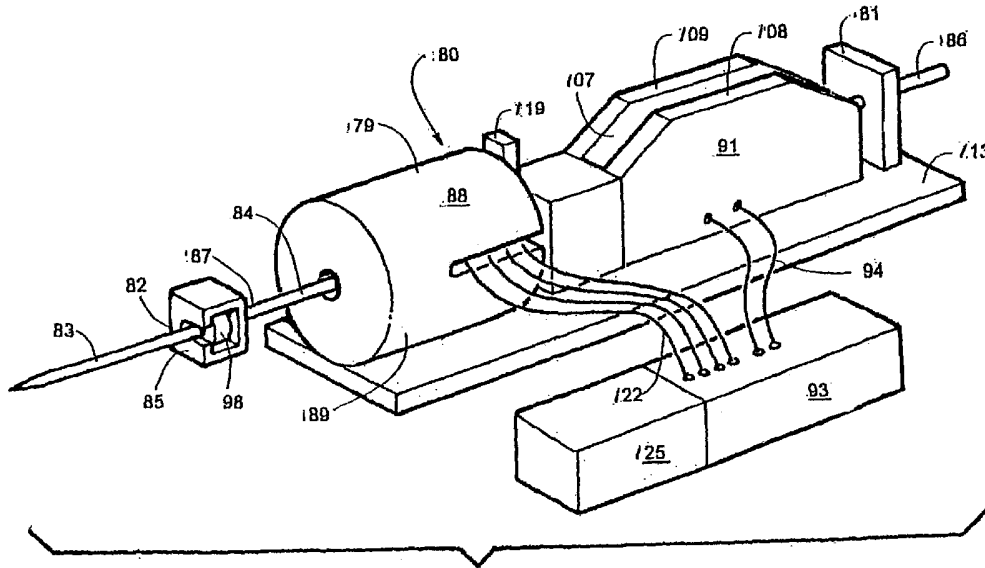
95008 (US). MARSOT, Travis [US/US]; 1072 East
Meadow Circle, Palo Alto, CA 94303 (US). HEGENER,
Jason [US/US]; 1072 East Meadow Circle, Palo Alto, CA
94303 (US). FREEMAN, Dominique, M. [GB/US]; 4545
La Honda Road, La Honda, CA 94020 (US). BOECKER,
Dirk [DE/US]; 1652 Castilleja Avenue, Palo Alto, CA
94306 (US). ALDEN, Don [US/US]; 1312 Nelson
Way, Sunnyvale, CA 94087 (US). SCHUMANN, Matt
[GB/GB]; At the Old Horse Yard, Comberton Road Toft,
Cambridge CB3 7RY (GB). BEADMAN, Mike [GB/GB];
At the Old Horse Yard, Comberton Road Toft, Cambridge
CB3 7RY (GB).

(74) Agent: TUNG, Hao, Y.; Heller Ehrman White &
McAuliffe LLP, 275 Middlefield Road, Menlo Park, CA
94025-3506 (US).

(81) Designated States (unless otherwise indicated, for every
kind of national protection available): AE, AG, AL, AM,
AT, AU, AZ, BA, BB, BG, BR, BW, BY, BZ, CA, CH, CN,
CO, CR, CU, CZ, DE, DK, DM, DZ, EC, EE, EG, ES, FI,
GB, GD, GE, GH, GM, HR, HU, ID, IL, IN, IS, JP, KE,
KG, KP, KR, KZ, LC, LK, LR, LS, LT, LU, LV, MA, MD,
MG, MK, MN, MW, MX, MZ, NA, NI, NO, NZ, OM, PG,
PH, PL, PT, RO, RU, SC, SD, SE, SG, SK, SL, SY, TJ, TM,
TN, TR, TT, TZ, UA, UG, US, UZ, VC, VN, YU, ZA, ZM,
ZW.

[Continued on next page]

(54) Title: BLOOD HARVESTING DEVICE WITH ELECTRONIC CONTROL



(57) Abstract: A method of controlling a penetrating member is provided. The method comprises providing a lancing device comprising a penetrating member driver having a position sensor and a processor that can determine the relative position and velocity of the penetrating member based on measuring relative position of the penetrating member with respect to time; providing a pre-determined velocity control trajectory based on a model of the driver and a model of tissue to be contacted. In some embodiments, a feedforward control to maintain penetrating member velocity along said trajectory.

WO 2004/107964 A3



(84) **Designated States** (*unless otherwise indicated, for every kind of regional protection available*): ARIPO (BW, GH, GM, KE, LS, MW, MZ, NA, SD, SL, SZ, TZ, UG, ZM, ZW), Eurasian (AM, AZ, BY, KG, KZ, MD, RU, TJ, TM), European (AT, BE, BG, CH, CY, CZ, DE, DK, EE, ES, FI, FR, GB, GR, HU, IE, IT, LU, MC, NL, PL, PT, RO, SE, SI, SK, TR), OAPI (BF, BJ, CF, CG, CI, CM, GA, GN, GQ, GW, ML, MR, NE, SN, TD, TG).

Published:

— with international search report

(88) **Date of publication of the international search report:**

14 December 2006

For two-letter codes and other abbreviations, refer to the "Guidance Notes on Codes and Abbreviations" appearing at the beginning of each regular issue of the PCT Gazette.

INTERNATIONAL SEARCH REPORT

International application No.

PCT/US04/18132

A. CLASSIFICATION OF SUBJECT MATTER
 IPC: **A61B 5/00**(2006.01),**5/103**(2006.01),**10/00**(2006.01),**17/32**(2006.01),**19/00**(2006.01);**A61M 5/32**(2006.01),**37/00**(2006.01)

 USPC: 600/557,573,576,583,587;606/167,172,181,182;604/6.15,6.16,272
 According to International Patent Classification (IPC) or to both national classification and IPC

B. FIELDS SEARCHED

Minimum documentation searched (classification system followed by classification symbols)
 U.S. : 600/557,573,576,583,587; 606/167,172,181,182; 604/6.15,6.16,272

Documentation searched other than minimum documentation to the extent that such documents are included in the fields searched

Electronic data base consulted during the international search (name of data base and, where practicable, search terms used)

C. DOCUMENTS CONSIDERED TO BE RELEVANT

Category *	Citation of document, with indication, where appropriate, of the relevant passages	Relevant to claim No.
X	US 6,210,421 B1 (BOCKER et al) 03 April 2001 (03.04.2001), entire document.	1-9, 19-21,23-43
X	US 2001/00424004 A1 (TAUB) 15 November 2001 (15.11.2001), entire document.	21
Y	US 6,036,924 (SIMONS et al) 14 March 2000 (14.03.2000), entire document.	10-18

Further documents are listed in the continuation of Box C. See patent family annex.

* Special categories of cited documents:	
"A" document defining the general state of the art which is not considered to be of particular relevance	"T" later document published after the international filing date or priority date and not in conflict with the application but cited to understand the principle or theory underlying the invention
"E" earlier application or patent published on or after the international filing date	"X" document of particular relevance; the claimed invention cannot be considered novel or cannot be considered to involve an inventive step when the document is taken alone
"L" document which may throw doubts on priority claim(s) or which is cited to establish the publication date of another citation or other special reason (as specified)	"Y" document of particular relevance; the claimed invention cannot be considered to involve an inventive step when the document is combined with one or more other such documents, such combination being obvious to a person skilled in the art
"O" document referring to an oral disclosure, use, exhibition or other means	"&" document member of the same patent family
"P" document published prior to the international filing date but later than the priority date claimed	

Date of the actual completion of the international search 03 August 2006 (03.08.2006)	Date of mailing of the international search report 19 SEP 2006
------------------------------------------------------------------------------------------	--------------------------------------------------------------------------

Name and mailing address of the ISA/US Mail Stop PCT, Attn: ISA/US Commissioner for Patents P O. Box 1450 Alexandria, Virginia 22313-1450 Facsimile No. (571) 273-3201	Authorized officer <i>For</i> Max F Hindenburg <i>J. Liby</i> Telephone No. (571) 272-4726
---------------------------------------------------------------------------------------------------------------------------------------------------------------------------------------	-----------------------------------------------------------------------------------------------------