



US00D778716S

(12) **United States Design Patent**
Takahashi

(10) **Patent No.:** **US D778,716 S**

(45) **Date of Patent:** **** Feb. 14, 2017**

- (54) **PACKAGING BOX**
- (71) Applicant: **JVC KENWOOD CORPORATION**,
Yokohama-shi, Kanagawa (JP)
- (72) Inventor: **Hiroto Takahashi**, Yokohama (JP)
- (73) Assignee: **JVC KENWOOD CORPORATION**,
Yokohama-Shi, Kanagawa (JP)
- (**) Term: **15 Years**
- (21) Appl. No.: **29/538,538**
- (22) Filed: **Sep. 4, 2015**

D572,910 S *	7/2008	Schreiner	D24/124
D575,635 S *	8/2008	Rozenzweig	D9/418
D604,603 S *	11/2009	Kohno	D9/418
D653,534 S *	2/2012	Shinn	D9/415
D658,060 S *	4/2012	Anderson	D20/22
D666,087 S *	8/2012	Anderson	D9/415
D753,485 S *	4/2016	Marsh	D9/432

- (30) **Foreign Application Priority Data**
- Jun. 18, 2015 (JP) 2015-013511
- (51) **LOC (10) Cl.** **09-03**
- (52) **U.S. Cl.**
- USPC **D9/418**
- (58) **Field of Classification Search**
- USPC D5/55, 99; D9/414, 415, 418, 432,
D9/434-436, 455-457, 499, 702, 707,
D9/748; D19/1, 100; D20/22, 27
- CPC B65D 5/029
- See application file for complete search history.

- (56) **References Cited**
- U.S. PATENT DOCUMENTS**
- D28,641 S * 5/1898 Richards D9/414
- D65,185 S * 7/1924 Haines D9/700
- D250,880 S * 1/1979 Stone 30/114
- 4,231,509 A * 11/1980 Austin B65D 5/4204
229/110
- D261,861 S * 11/1981 Carter D9/418

OTHER PUBLICATIONS

J. Wilton Distributors. Triangle Window Box. 2016 [earliest online date], [site visited Nov. 4, 2016]. Available from Internet, <URL:http://j-wilton.com/store/catalog/product/gallery/id/24/image/42/>.*

* cited by examiner

Primary Examiner — Robert M Spear
Assistant Examiner — Darcey E Heflin
(74) *Attorney, Agent, or Firm* — Nath, Goldberg & Meyer; Jerald L. Meyer

(57) **CLAIM**
The ornamental design for a packaging box, as shown and described.

DESCRIPTION

FIG. 1 is a perspective view of a packaging box;
FIG. 2 is a front view;
FIG. 3 is a rear view;
FIG. 4 is a left side view;
FIG. 5 is a right side view;
FIG. 6 is a top plan view; and,
FIG. 7 is a bottom plan view.
In the drawings, the broken line showing portions of a packaging box depicts environment and forms no part of the claim.

1 Claim, 3 Drawing Sheets

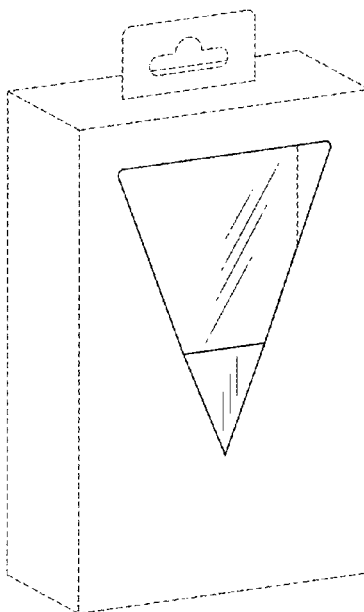


Fig.1

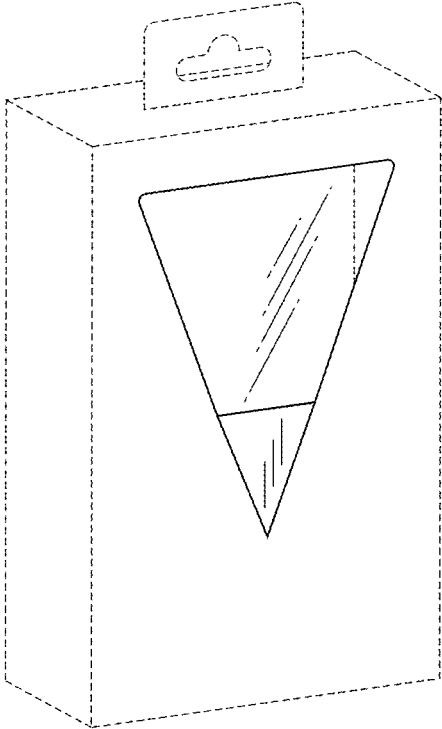


Fig.2

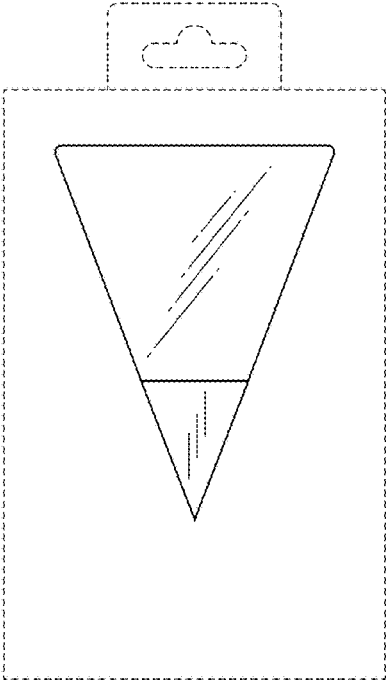


Fig.3

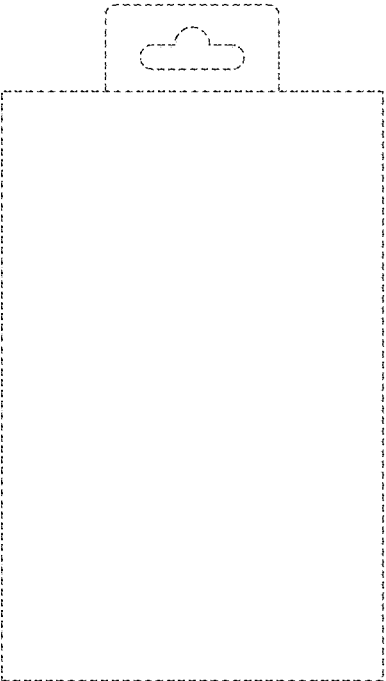


Fig.4

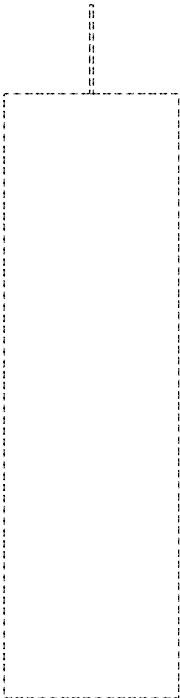


Fig.5



Fig.6

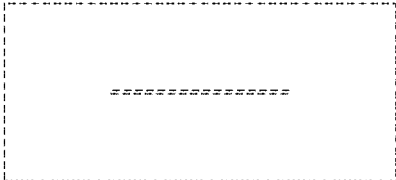


Fig.7

