

[54] END FITTING FOR A DOOR PANEL FRAME CORNER JOINT

4,570,406 2/1986 DiFazio 52/656
4,651,482 3/1987 Borys 52/656

[75] Inventor: Cliff O. Nye, Hitchin, England

FOREIGN PATENT DOCUMENTS

[73] Assignee: National Profiles Limited, England

2910145 9/1980 Fed. Rep. of Germany 403/231

[**] Term: 14 Years

Primary Examiner—B. J. Bullock
Attorney, Agent, or Firm—Diller, Ramik & Wight

[21] Appl. No.: 162,371

[57] CLAIM

[22] Filed: Feb. 22, 1988

The ornamental design of an end fitting for a door panel frame corner joint, as shown.

[30] Foreign Application Priority Data

Oct. 28, 1987 [GB] United Kingdom 1 045 899
[52] U.S. Cl. D8/382; D8/400
[58] Field of Search D8/382, 400; 403/208,
403/231, 405.1, 408.1, 295, 298; 49/DIG. 2;
52/213, 475, 656

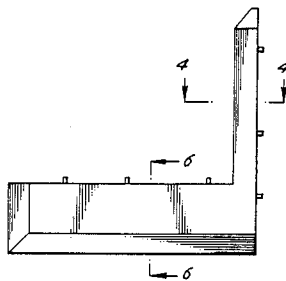
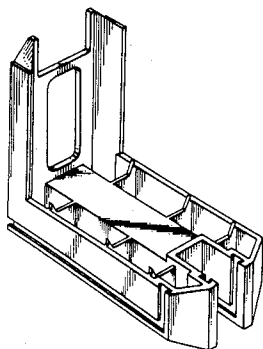
DESCRIPTION

FIG. 1 is a perspective view of an end fitting for a door panel frame corner joint showing my new design; FIG. 2 is a left end view thereof; FIG. 3 is a rear view thereof; FIG. 4 is a sectional view taken in the direction of the arrows on line 4—4 of FIG. 3; FIG. 5 is a bottom view thereof; FIG. 6 is a sectional view taken in the direction of the arrows on line 6—6 of FIG. 3.

[56] References Cited

U.S. PATENT DOCUMENTS

3,429,602 2/1969 Dirilgen 52/475



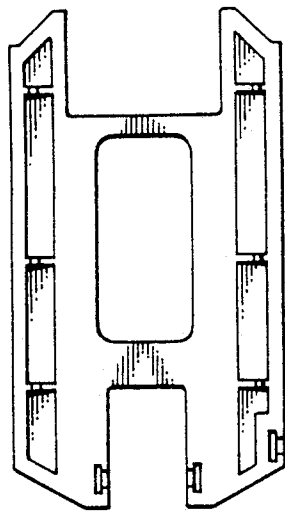
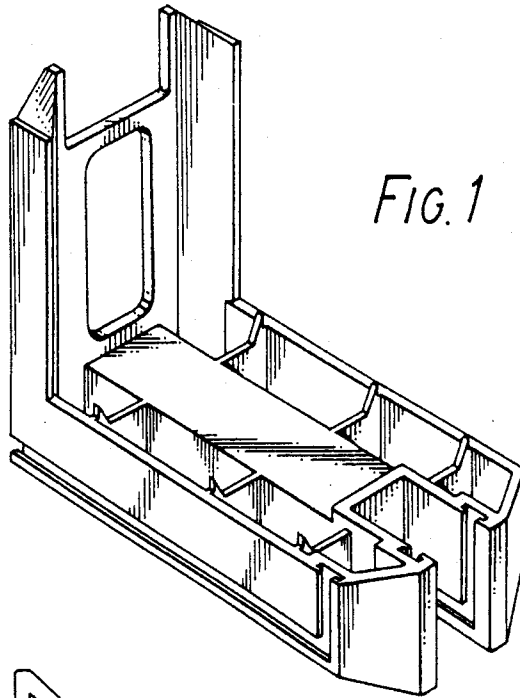


FIG. 2

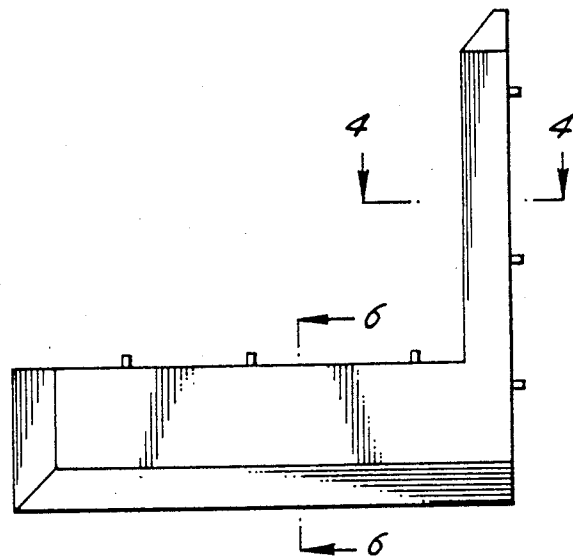


FIG. 3

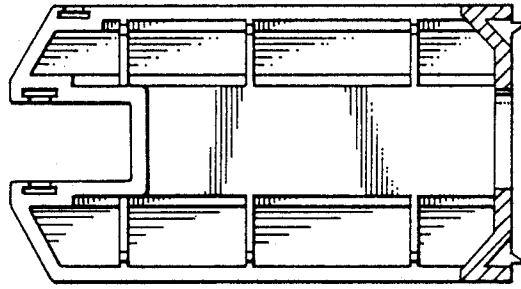


FIG. 4

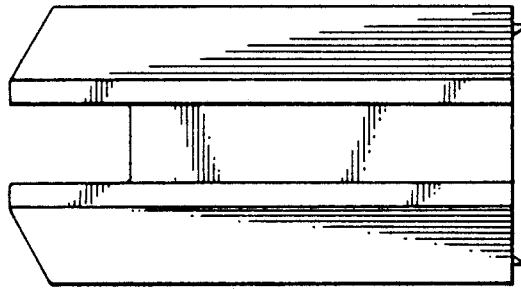


FIG. 5

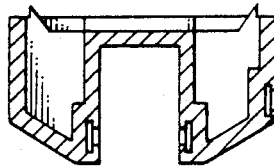


FIG. 6