



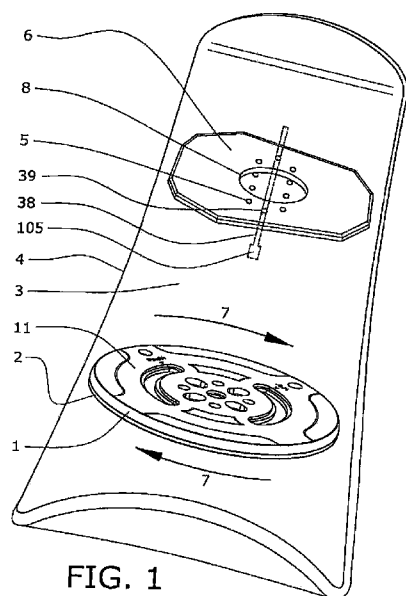
- (51) International Patent Classification:
A63C 10/18 (2012.01)
- (21) International Application Number:
PCT/US2012/043377
- (22) International Filing Date:
20 June 2012 (20.06.2012)
- (25) Filing Language: English
- (26) Publication Language: English
- (30) Priority Data:
61/499,042 20 June 2011 (20.06.2011) US
- (71) Applicant (for all designated States except US): **TWISTED BINDINGS, INC.** [US/US]; P.O. Box 580, San Clemente, CA 92674 (US).
- (72) Inventors; and
- (75) Inventors/Applicants (for US only): **STOKES, Paul, J.** [US/US]; P.O. Box 580, San Clemente, CA 92674 (US). **MAYONE, Stephen, C.** [US/US]; P.O. Box 580, San Clemente, CA 92674 (US).
- (81) Designated States (unless otherwise indicated, for every kind of national protection available): AE, AG, AL, AM, AO, AT, AU, AZ, BA, BB, BG, BH, BR, BW, BY, BZ,

CA, CH, CL, CN, CO, CR, CU, CZ, DE, DK, DM, DO, DZ, EC, EE, EG, ES, FI, GB, GD, GE, GH, GM, GT, HN, HR, HU, ID, IL, IN, IS, JP, KE, KG, KM, KN, KP, KR, KZ, LA, LC, LK, LR, LS, LT, LU, LY, MA, MD, ME, MG, MK, MN, MW, MX, MY, MZ, NA, NG, NI, NO, NZ, OM, PE, PG, PH, PL, PT, QA, RO, RS, RU, RW, SC, SD, SE, SG, SK, SL, SM, ST, SV, SY, TH, TJ, TM, TN, TR, TT, TZ, UA, UG, US, UZ, VC, VN, ZA, ZM, ZW.

(84) Designated States (unless otherwise indicated, for every kind of regional protection available): ARIPO (BW, GH, GM, KE, LR, LS, MW, MZ, NA, RW, SD, SL, SZ, TZ, UG, ZM, ZW), Eurasian (AM, AZ, BY, KG, KZ, RU, TJ, TM), European (AL, AT, BE, BG, CH, CY, CZ, DE, DK, EE, ES, FI, FR, GB, GR, HR, HU, IE, IS, IT, LT, LU, LV, MC, MK, MT, NL, NO, PL, PT, RO, RS, SE, SI, SK, SM, TR), OAPI (BF, BJ, CF, CG, CI, CM, GA, GN, GQ, GW, ML, MR, NE, SN, TD, TG).

Published:
— with international search report (Art. 21(3))
(88) Date of publication of the international search report:
8 May 2014

(54) Title: IMPROVED SNOWBOARD BINDINGS



(57) Abstract: Disclosed is an improved rotatable snowboard binding mechanisms to allow a snowboarder to rotate the binding without having to release the boot from the binding. This can be done by simply pulling up on a tether attached to his leg. The device allows for a large variety of different boot bindings to be attached, allowing the snowboarder to choose among the boot bindings present in the commercial marketplace. The device is easy to manufacture with a relatively limited number of parts, and can be attached with commonly available tools.



INTERNATIONAL SEARCH REPORT

International application No.

PCT/US 12/43377

A. CLASSIFICATION OF SUBJECT MATTER

IPC(8) - A63C 10/18 (2012.01)

USPC - 36/125

According to International Patent Classification (IPC) or to both national classification and IPC

B. FIELDS SEARCHED

Minimum documentation searched (classification system followed by classification symbols)

USPC: 36/125; IPC: A63C 10/18

Documentation searched other than minimum documentation to the extent that such documents are included in the fields searched

USPC: 36/125; 280/11.3, 611, 613, 617, 618, 623, 626, 629, 630, 637

IPC: A63C 10/18, A63C 10/00, A63C 10/28

Electronic data base consulted during the international search (name of data base and, where practicable, search terms used)

PubWest, Google Scholar, Espacenet: Keyword: binding, rotate, pivot, bottom, lower, board, mounting, fastening, plate, arc, arcuate, channel, slot, groove, cutout, locking, pull, pin, peg, snowboard, snow board, hole, bore, aperture, axis, disk, disc.

C. DOCUMENTS CONSIDERED TO BE RELEVANT

Category*	Citation of document, with indication, where appropriate, of the relevant passages	Relevant to claim No.
Y	US 2004/0188983 A1 (Scholten) 30 September 2004 (30.09.2004). All Figs, para [0027-0028].	1-3
Y	CA 2,143,253 A1 (Heller) 24 August 1996 (24.08.1996). All Figs, pg 7-8.	1-3
Y	US 5,984,346 A (Keller) 16 November 1999 (16.11.1999). All Figs, col 4, 63- 67, col 2, ln 55-60.	2, 4
Y	US 6,786,502 B2 (Carlson) 07 September 2004 (07.09.2004). Figs. 15-16, col 9, ln 28-35, col 10, 21-33.	3
Y	US 5,553,883 A (Erb) 10 September 1996 (10.09.1996). Fig. 1, col 6, ln 26-35 and ln 52-61.	4
A	US 2,721,087 A (Pearson) 18 October 1955 (18.10.1955). Fig. 1, col 2, ln 35-70.	4
A	US 5,586,779 A1 (Dawes et al.) 24 December 1996 (24.12.1996). Fig. 13A-B.	1-4
A	US 6,994,370 B2 (Sabol) 07 February 2006 (07.02.2006). Fig. 1, 4-6.	1-4
A	US 7,390,010 B2 (Elkington et al.) 24 June 2008 (24.06.2008). Fig. 1d.	1-4

 Further documents are listed in the continuation of Box C.

* Special categories of cited documents:

"A" document defining the general state of the art which is not considered to be of particular relevance

"E" earlier application or patent but published on or after the international filing date

"L" document which may throw doubts on priority claim(s) or which is cited to establish the publication date of another citation or other special reason (as specified)

"O" document referring to an oral disclosure, use, exhibition or other means

"P" document published prior to the international filing date but later than the priority date claimed

"T" later document published after the international filing date or priority date and not in conflict with the application but cited to understand the principle or theory underlying the invention

"X" document of particular relevance; the claimed invention cannot be considered novel or cannot be considered to involve an inventive step when the document is taken alone

"Y" document of particular relevance; the claimed invention cannot be considered to involve an inventive step when the document is combined with one or more other such documents, such combination being obvious to a person skilled in the art

"&" document member of the same patent family

Date of the actual completion of the international search

06 August 2012 (06.08.2012)

Date of mailing of the international search report

04 SEP 2012

Name and mailing address of the ISA/US

Mail Stop PCT, Attn: ISA/US, Commissioner for Patents
P.O. Box 1450, Alexandria, Virginia 22313-1450

Facsimile No. 571-273-3201

Authorized officer:

Lee W. Young

PCT Helpdesk: 571-272-4300

PCT OSP: 571-272-7774