



US00D817069S

(12) **United States Design Patent**
Tosdale

(10) **Patent No.:** **US D817,069 S**

(45) **Date of Patent:** **** May 8, 2018**

- (54) **PAN**
- (71) Applicant: **The Vollrath Company, L.L.C.**,
Sheboygan, WI (US)
- (72) Inventor: **David R. Tosdale**, Manitowoc, WI
(US)
- (73) Assignee: **The Vollrath Company, L.L.C.**,
Sheboygan, WI (US)
- (**) Term: **15 Years**
- (21) Appl. No.: **29/594,102**
- (22) Filed: **Feb. 15, 2017**
- (51) **LOC (11) Cl.** **07-02**
- (52) **U.S. Cl.**
USPC **D7/354**
- (58) **Field of Classification Search**
USPC D7/323, 354-361, 392.1, 543, 545, 549,
D7/550.1, 553.1-553.8, 554.1-554.4, 555,
D7/584, 586; D9/430-435, 455-456,
D9/737, 756-762
CPC A21B 3/00; A21B 3/13; A21B 3/15; A21B
3/134; A21B 5/00; A21B 5/02; A47J
27/16-27/17; A47J 36/022; A47J 36/025;
A47J 36/027; A47J 37/00; A47J 37/04;
B65D 1/22; B65D 1/24; B65D 1/34;
B65D 1/36; B65D 43/021; B65D 81/343;
B65D 85/34; B65D 85/36
See application file for complete search history.

- D44,448 S 8/1913 Meinecke
- 1,239,218 A 9/1917 Richards
- D102,362 S 12/1936 Friedman et al.
- 2,231,615 A 2/1941 Duke
- 2,352,684 A 7/1944 Braddock
- D156,184 S 11/1949 Ulmer
- 2,602,568 A 7/1952 Kinny
- 2,700,284 A 1/1955 Lyon
- D195,682 S 7/1963 Grogel

(Continued)

FOREIGN PATENT DOCUMENTS

- JP 2002540827 12/2002
- WO WO 00/59351 10/2000

(Continued)

OTHER PUBLICATIONS

Vollrath® Setting the Standard™ Smallwares & Light Equipment
2006-2007, 25 pages.

(Continued)

Primary Examiner — Ricky Pham
(74) *Attorney, Agent, or Firm* — Foley & Lardner LLP

(57) **CLAIM**

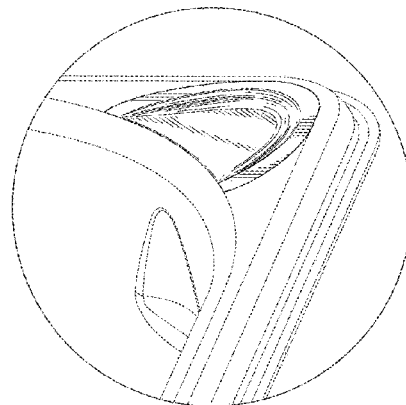
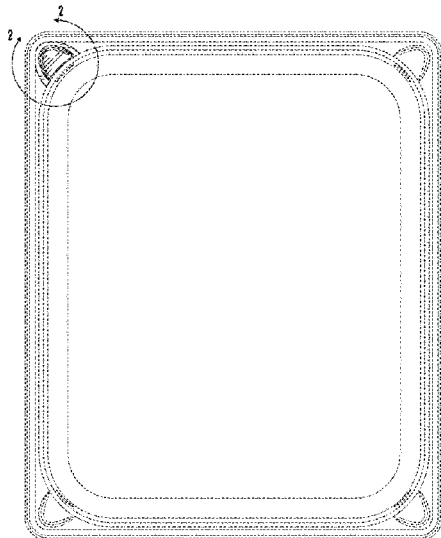
I claim the ornamental design for a pan, as shown and described.

DESCRIPTION

FIG. 1 is a top view of the claimed design;
 FIG. 2 is a top view of a corner of the pan thereof;
 FIG. 3 is a perspective view thereof;
 FIG. 4 is a section view taken along line 4-4 in FIG. 2; and,
 FIG. 5 is a section view taken along line 5-5 in FIG. 2.
 The ornamental design which is claimed is shown in solid lines in the drawings. The broken lines in the drawings are for illustrative purposes only and form no part of the claimed design.

1 Claim, 5 Drawing Sheets

- (56) **References Cited**
U.S. PATENT DOCUMENTS
- 255,706 A 3/1882 Vuillier
- 436,883 A 9/1890 Wagandt
- D21,710 S 7/1892 Murphy et al.
- D33,218 S 9/1900 Dixon
- 1,061,769 A 5/1913 Meinecke



(56)

References Cited

U.S. PATENT DOCUMENTS								
3,233,812	A *	2/1966	Kennedy	B65D 1/34	6,349,843	B1	2/2002	Mittmann et al.
				206/518	D454,751	S	3/2002	Zank
D208,566	S	9/1967	Lawler		6,415,945	B1	7/2002	Zank et al.
D209,239	S	11/1967	Bernstein		D462,877	S	9/2002	Lillelund et al.
3,384,263	A	5/1968	Bernstein		D463,977	S	10/2002	Castellanos et al.
3,476,282	A	11/1969	Monaco et al.		D469,300	S	1/2003	Nakazawa
3,532,247	A	10/1970	Bridges		D472,428	S	4/2003	Massaloux et al.
D220,749	S	5/1971	Artz		D473,757	S	4/2003	Schwartz
3,657,776	A	4/1972	Herbold		D474,687	S	5/2003	Jones et al.
D225,364	S	12/1972	Antoni		6,557,720	B2	5/2003	Tosdale et al.
D262,931	S	2/1982	Levan		6,568,534	B2	5/2003	Zank
4,351,164	A	9/1982	Christiani		6,607,091	B2	8/2003	Gasbarro
D283,666	S	5/1986	Holzkopf		6,653,602	B2	11/2003	Li
4,616,762	A *	10/1986	Alexander	A47J 36/022	D487,669	S	3/2004	Smith et al.
				206/503	D487,672	S	3/2004	Cote et al.
D287,809	S	1/1987	Alexander		6,705,210	B2	3/2004	Leonard
4,660,734	A	4/1987	Heaney et al.		D490,656	S	6/2004	Levien
D291,526	S	8/1987	Heaney et al.		D498,980	S	11/2004	Smith et al.
4,744,597	A	5/1988	Bauman et al.		D499,304	S	12/2004	Wiedmeyer et al.
D296,404	S	6/1988	Lowenbein		D501,760	S	2/2005	Bukowski
D298,900	S	12/1988	Blum et al.		6,866,832	B2	3/2005	Garwood
4,794,228	A	12/1988	Braun		D515,866	S	2/2006	Wiedmeyer et al.
4,804,092	A	2/1989	Jones		D516,380	S	3/2006	Kilders
4,828,112	A	5/1989	Vollrath		D516,859	S *	3/2006	Zettle D7/392.1
D305,410	S	1/1990	Tyler		D517,366	S	3/2006	Oztiryaki
D309,846	S	8/1990	Pozzi		D520,304	S	5/2006	Kilders
5,035,327	A	7/1991	Denzin et al.		D525,820	S *	8/2006	Oztiryaki D7/354
D323,959	S	2/1992	Ciampi et al.		D529,755	S	10/2006	Lobman et al.
5,119,800	A	6/1992	Roberts et al.		D530,625	S	10/2006	Darin
5,131,708	A	7/1992	Denzin		7,163,120	B1	1/2007	Blucher
D333,944	S	3/1993	Denzin et al.		D536,608	S	2/2007	Arkins
5,203,257	A	4/1993	Goad		D541,591	S	5/2007	Wasserman et al.
D342,806	S	12/1993	Jones et al.		D543,075	S	5/2007	Ablo
D347,058	S	5/1994	Valentine		D543,412	S *	5/2007	Munson D7/354
5,335,787	A	8/1994	Finchum et al.		7,288,745	B2	10/2007	Colonna
5,492,533	A	2/1996	Kriesel		D554,531	S	11/2007	Lovett
5,511,467	A	4/1996	Motley et al.		D557,413	S	12/2007	Buermann
D373,053	S	8/1996	Allegre		D562,078	S	2/2008	Herssein
D375,652	S	11/1996	Hayes		D562,639	S	2/2008	Ablo
D379,301	S	5/1997	Lippincott		7,347,327	B2 *	3/2008	Lobman A47J 27/17
5,632,398	A	5/1997	Baltus et al.					206/518
D382,440	S	8/1997	Fonville		D565,905	S	4/2008	Valderrama et al.
D383,943	S	9/1997	Boley		D569,169	S	5/2008	Munson
5,676,276	A	10/1997	Zielinski et al.		D573,407	S	7/2008	Cox
D387,272	S	12/1997	Lippincott		D573,408	S	7/2008	Lovett
5,699,784	A	12/1997	Tippmann et al.		D573,412	S	7/2008	Ablo
5,756,968	A	5/1998	Chung		D575,077	S	8/2008	Kessels
5,762,226	A	6/1998	Baltus et al.		D575,095	S	8/2008	Schreiber-Pethan et al.
D395,824	S	7/1998	Durliat		D575,590	S	8/2008	Ablo
D402,509	S	12/1998	Indekeu		D584,108	S	1/2009	Olsson
D407,948	S	4/1999	Indekeu		D584,923	S	1/2009	Scherer
D408,686	S	4/1999	Lillelund et al.		D591,175	S	4/2009	Larson
D414,409	S	9/1999	Sanfilippo et al.		D592,458	S	5/2009	Scherer
D415,656	S	10/1999	Henry		D595,094	S	6/2009	Vernes et al.
5,992,406	A	11/1999	Lelle		7,552,840	B2	6/2009	Gitschlag et al.
D417,361	S	12/1999	Mittmann et al.		D596,893	S	7/2009	Tosdale et al.
6,021,914	A	2/2000	Schmidt		D597,371	S	8/2009	Tosdale et al.
D422,836	S	4/2000	Mittmann		D608,633	S	1/2010	Elmerhaus
D427,482	S	7/2000	Mittmann		D609,566	S *	2/2010	LaMasney D9/435
D431,148	S	9/2000	Mittmann		D613,108	S	4/2010	Tosdale et al.
D431,421	S	10/2000	Liu		D618,954	S	7/2010	Antoun et al.
D432,409	S	10/2000	Feldmeier		D618,955	S	7/2010	Antoun et al.
D432,859	S *	10/2000	Hayes	D7/392.1	D618,956	S	7/2010	Antoun et al.
D432,866	S	10/2000	Harrison		D620,305	S	7/2010	Tosdale et al.
D435,390	S	12/2000	Mittmann		D620,306	S	7/2010	Tosdale et al.
D436,854	S	1/2001	Feldmeier		D623,020	S	9/2010	De Bretton Gordon
6,199,715	B1	3/2001	Hayes et al.		D623,021	S	9/2010	De Bretton Gordon
D442,484	S	5/2001	Maxwell et al.		D623,479	S	9/2010	De Bretton Gordon
D443,173	S	6/2001	Danielsen et al.		D625,959	S	10/2010	Deming
D445,632	S	7/2001	Bradley		D630,045	S	1/2011	Antoun et al.
D446,077	S *	8/2001	Tucker	D7/392.1	D630,046	S	1/2011	Antoun et al.
D446,993	S	8/2001	Zank		D630,047	S	1/2011	Antoun et al.
D446,994	S	8/2001	Zank		7,866,503	B2	1/2011	Liebzeit
D449,205	S	10/2001	Zank		D632,956	S	2/2011	Fuller et al.
D451,018	S	11/2001	Chen et al.		D633,754	S	3/2011	Benson
					D640,895	S	7/2011	Tosdale et al.
					D641,590	S	7/2011	Koennecke
					D653,085	S	1/2012	Swallow
					D656,778	S	4/2012	Bolger

(56)

References Cited

U.S. PATENT DOCUMENTS

D665,221	S	8/2012	Tosdale et al.	
D690,553	S	10/2013	Tosdale et al.	
D691,845	S	10/2013	Tosdale et al.	
D696,938	S	1/2014	Bevier et al.	
D706,620	S	6/2014	Matsumura et al.	
8,869,682	B2 *	10/2014	Tosdale	A47J 27/16 206/518
D751,332	S *	3/2016	Li	D7/354
2001/0019060	A1	9/2001	Zank	
2001/0035418	A1	11/2001	Tosdale et al.	
2005/0161453	A1	7/2005	Corrieri	
2005/0235838	A1	10/2005	Cohn	
2005/0252814	A1	11/2005	Lobman et al.	
2006/0201938	A1	9/2006	Wojcik et al.	
2006/0288997	A1	12/2006	Griffin	
2007/0062958	A1	3/2007	Kelly	
2007/0079822	A1	4/2007	Pickens et al.	
2007/0090118	A1	4/2007	Milkowski et al.	
2007/0221651	A1	9/2007	Kristina et al.	
2008/0169294	A1	7/2008	Liebzeit	

2008/0169295	A1	7/2008	Liebzeit	
2008/0185390	A1	8/2008	Liebzeit	
2008/0296307	A1	12/2008	Liebzeit	
2010/0071567	A1	3/2010	Tosdale et al.	
2010/0181321	A1	7/2010	Liebzeit	
2011/0114638	A1 *	5/2011	Kettner	B65D 43/021 220/260
2012/0074032	A1 *	3/2012	Tosdale	A47J 27/16 206/557

FOREIGN PATENT DOCUMENTS

WO	WO 2007/043154	4/2007
WO	WO 2008/088352	7/2008
WO	WO 2010/039455	4/2010

OTHER PUBLICATIONS

Vollrath, Equipment and Smallwares Catalog, 2010-2011, Smallwares, 21 pages.

* cited by examiner

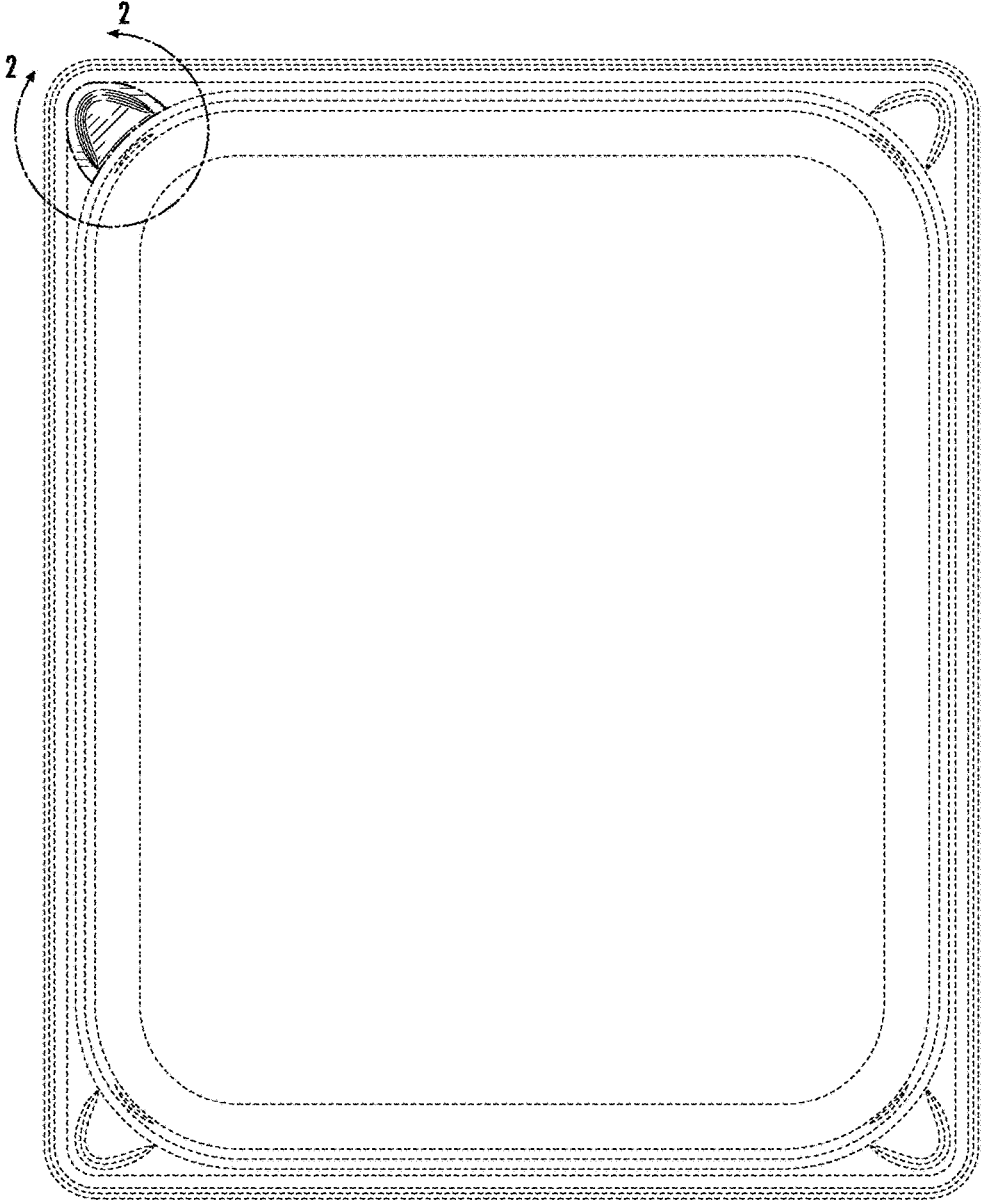


FIG. 1

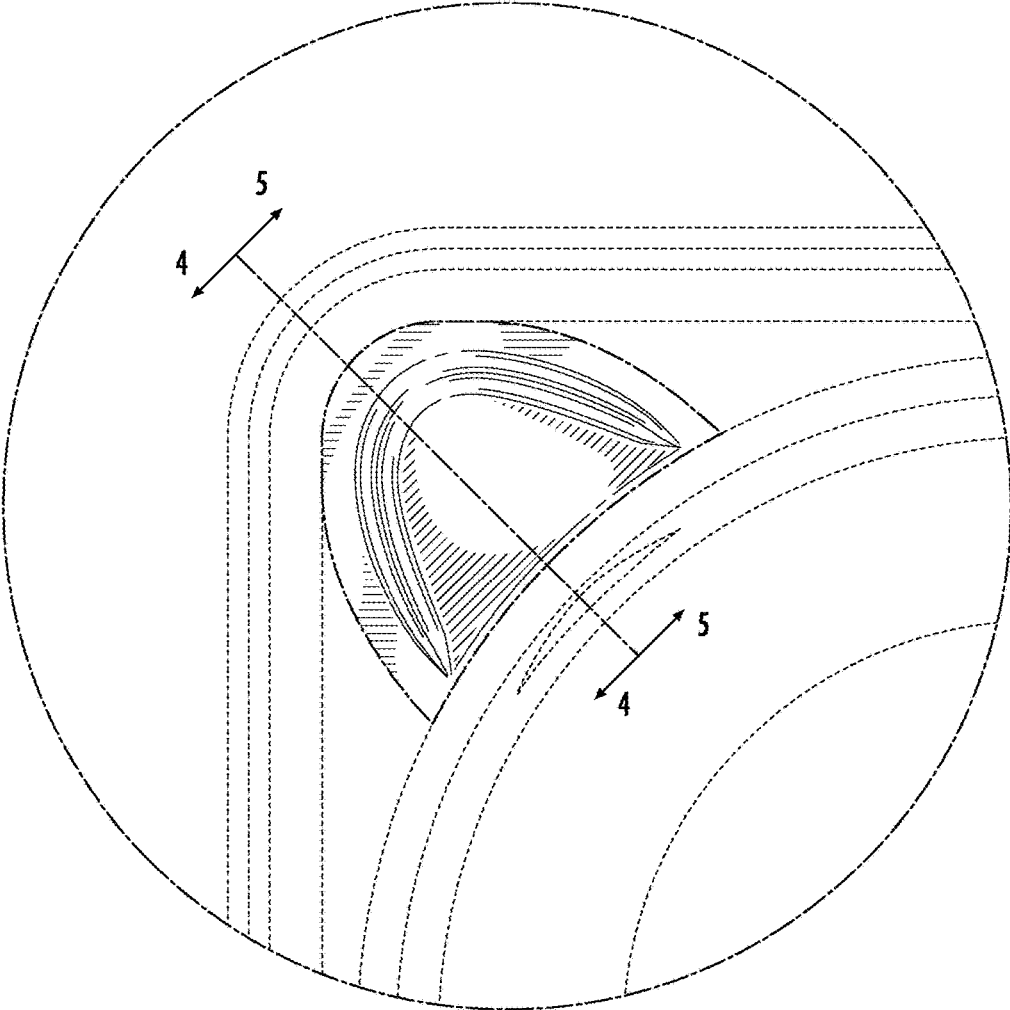


FIG. 2

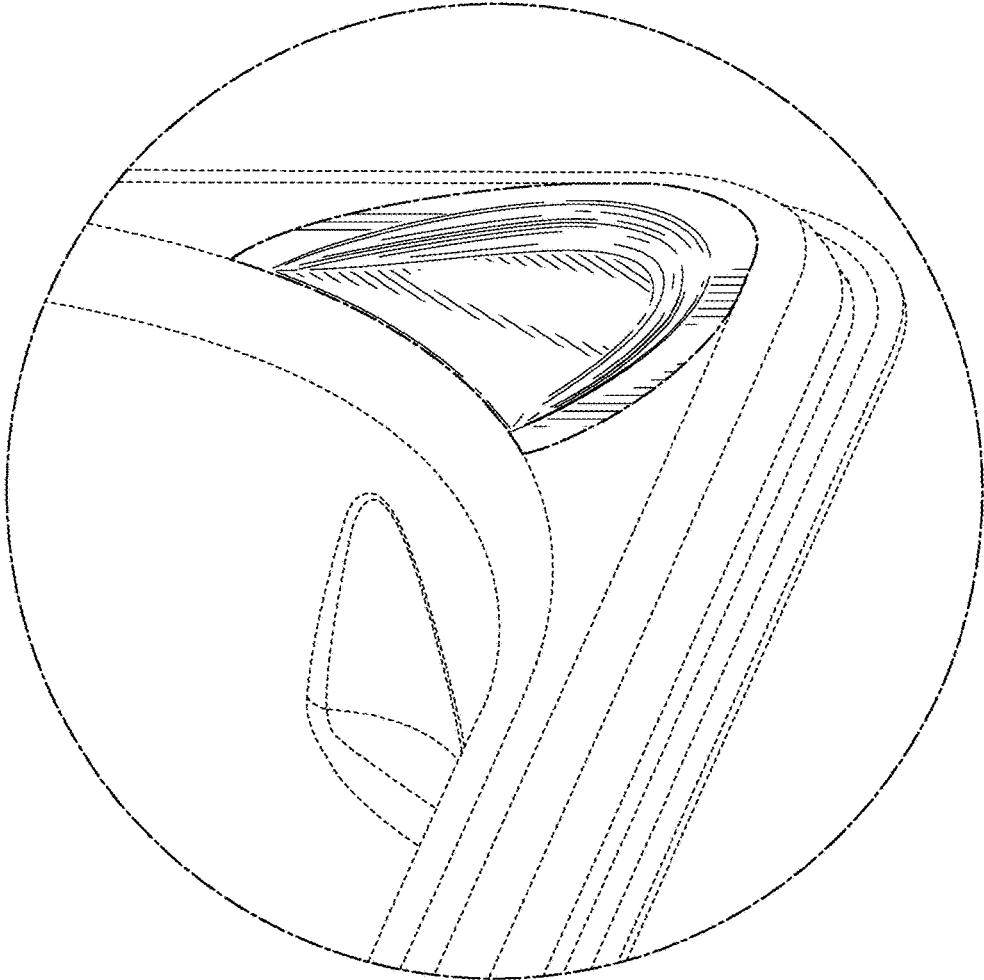


FIG. 3

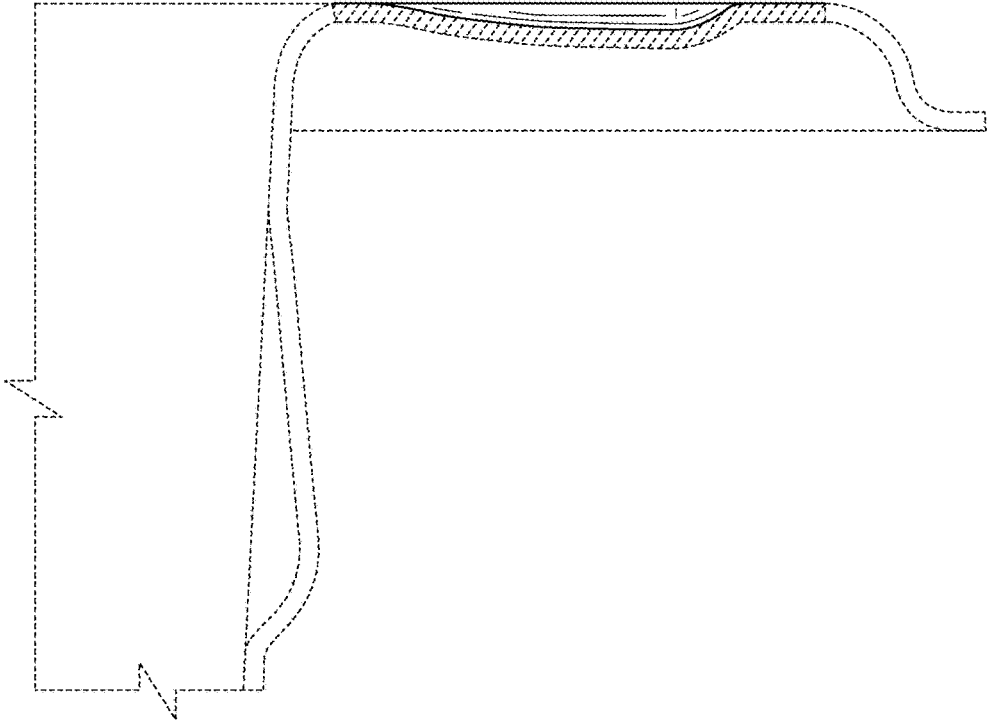


FIG. 4

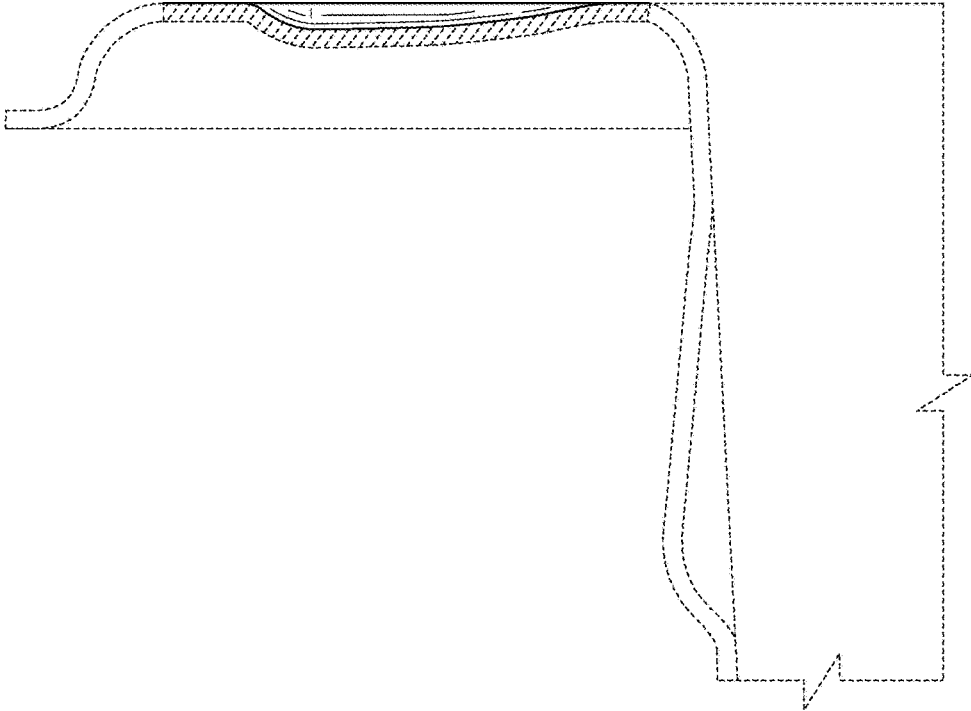


FIG. 5