



US00D891719S

(12) **United States Design Patent**
Sponder et al.

(10) **Patent No.:** **US D891,719 S**

(45) **Date of Patent:** **** Jul. 28, 2020**

(54) **COMPOST BIN**

(71) Applicants: **Petina Sponder, NSW (AU); Tim Sponder, NSW (AU)**

(72) Inventors: **Petina Sponder, NSW (AU); Tim Sponder, NSW (AU)**

(**) Term: **15 Years**

(21) Appl. No.: **29/724,520**

(22) Filed: **Feb. 17, 2020**

Related U.S. Application Data

(63) Continuation-in-part of application No. 29/698,092, filed on Jul. 15, 2019.

(51) **LOC (12) Cl.** **09-09**

(52) **U.S. Cl.**
USPC **D34/8**

(58) **Field of Classification Search**
USPC D34/1, 7, 8; D3/294; D32/53
CPC B65F 1/1473; B65F 1/1452; B65F 1/06
See application file for complete search history.

(56) **References Cited**

U.S. PATENT DOCUMENTS

D351,697 S	10/1994	Blotnick	
D351,701 S *	10/1994	Sawatsky	D34/7
D386,904 S *	12/1997	Bradshaw, Jr.	D3/273
D439,717 S *	3/2001	Konieczny	B65F 1/02
			D34/1
D593,269 S *	5/2009	Weiler	B65F 1/06
			D32/53

D595,468 S	6/2009	Liao	
D644,389 S	8/2011	Roberts et al.	
8,813,992 B2 *	8/2014	Chitayat	B65F 1/06 220/495.01
D722,735 S	2/2015	Roy et al.	
D765,336 S *	8/2016	Doyon	D34/10
D806,974 S *	1/2018	Lloyd	D34/7
D872,407 S	1/2020	Ma	
2010/0193534 A1 *	8/2010	Roberts	B65F 1/02 220/810
2018/0265421 A1 *	9/2018	Parcells	B29D 99/0096

* cited by examiner

Primary Examiner — Cynthia Ramirez
(74) *Attorney, Agent, or Firm* — KA Filing LLC; Wayne V. Harper; Cynthia Flanigan

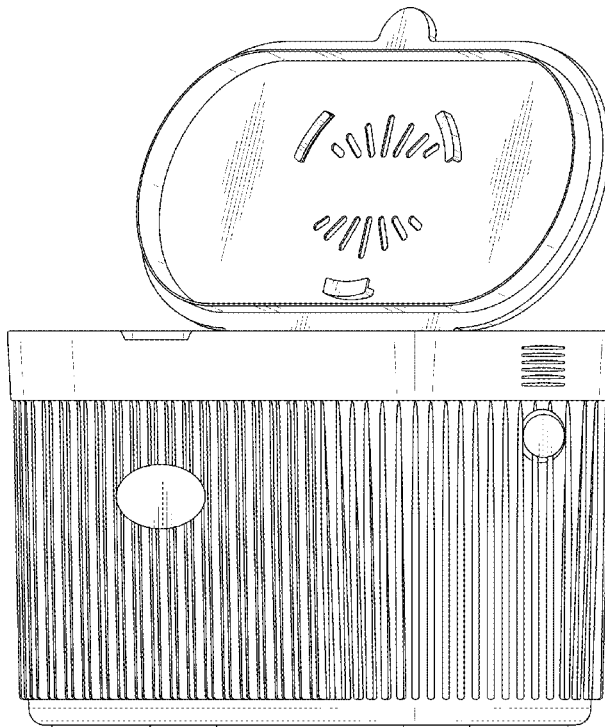
(57) **CLAIM**

We claim the ornamental design for a compost bin, as shown and described.

DESCRIPTION

FIG. 1 is a perspective view of a compost bin showing our new design;
FIG. 2 is a Front view thereof;
FIG. 3 is a Back view thereof;
FIG. 4 is a Right-side view thereof;
FIG. 5 is a Left-side view thereof;
FIG. 6 is a Top view thereof; and,
FIG. 7 is a Bottom view thereof.
The broken lines are only for environmental purposes and form no part of the claimed design.

1 Claim, 7 Drawing Sheets



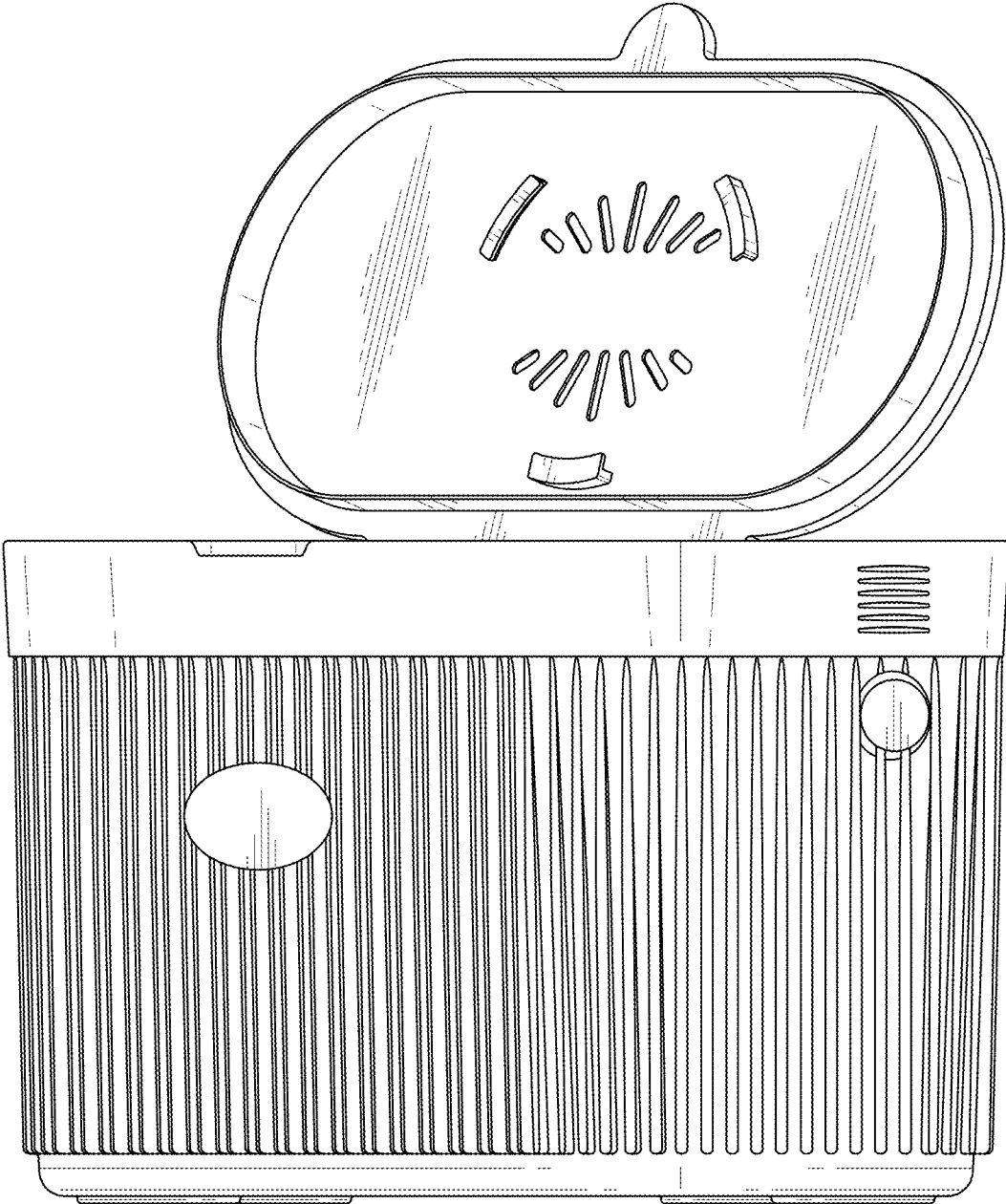


FIG. 1

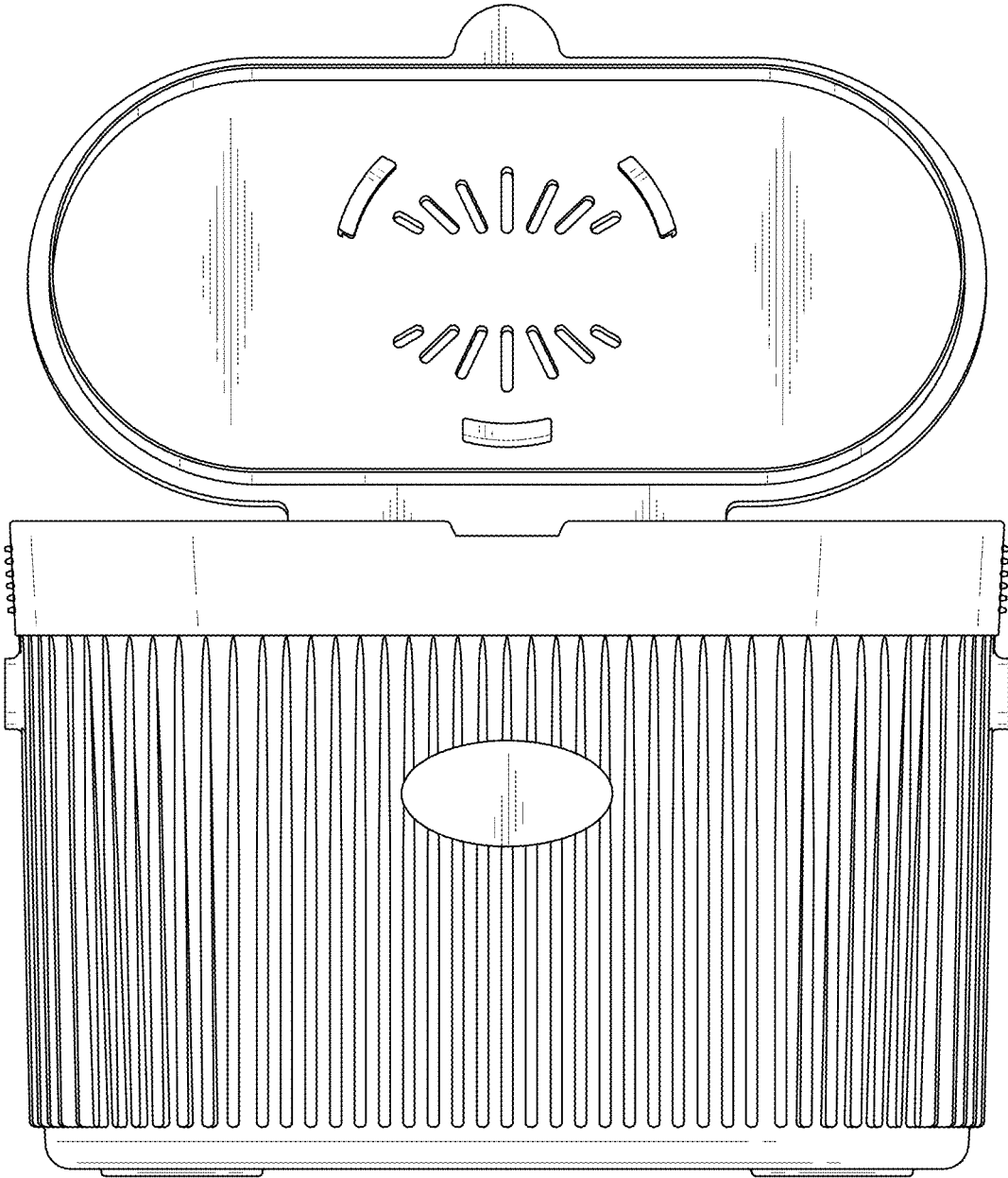


FIG. 2

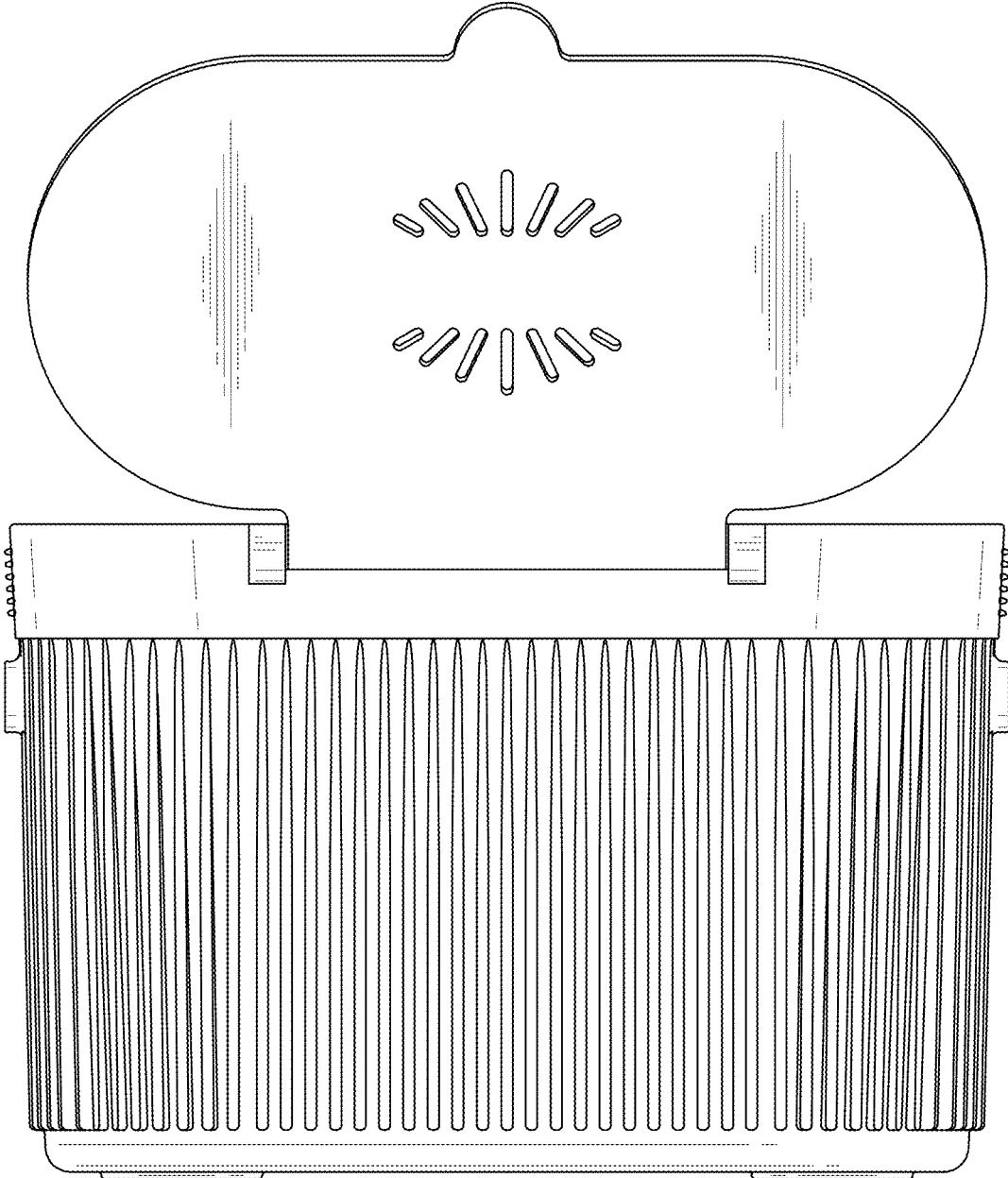


FIG. 3

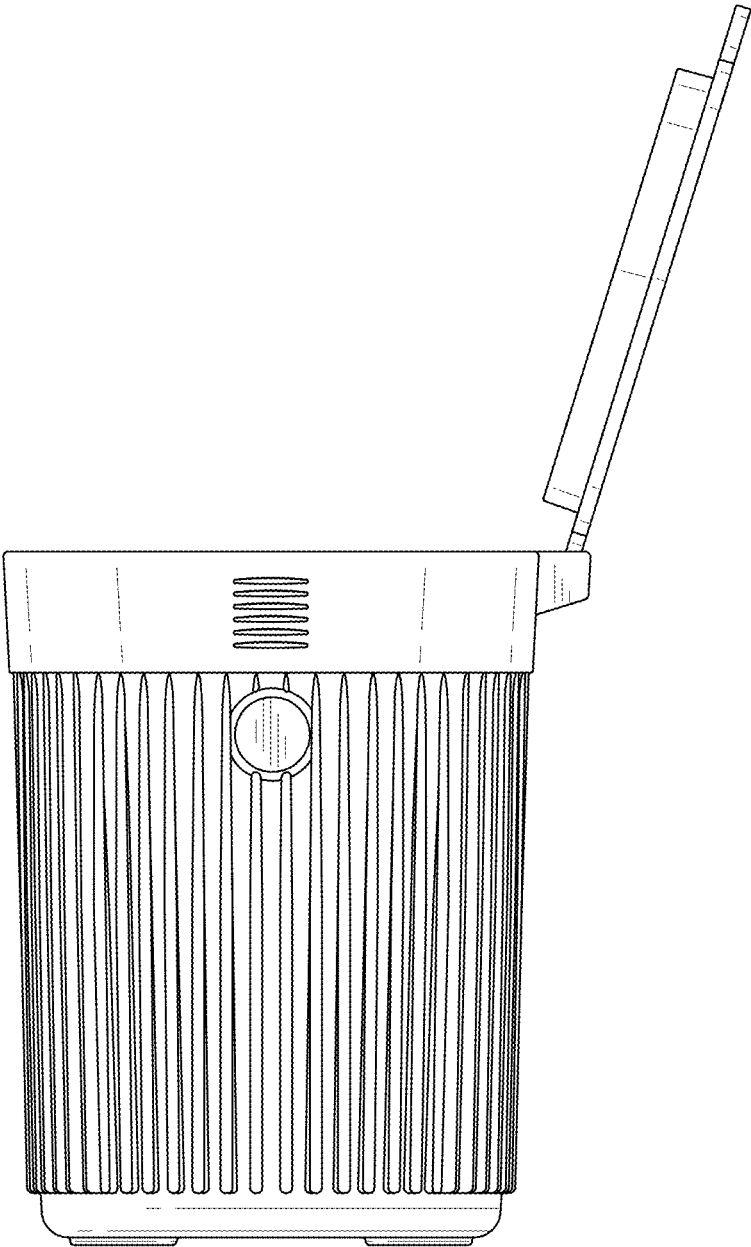


FIG. 4

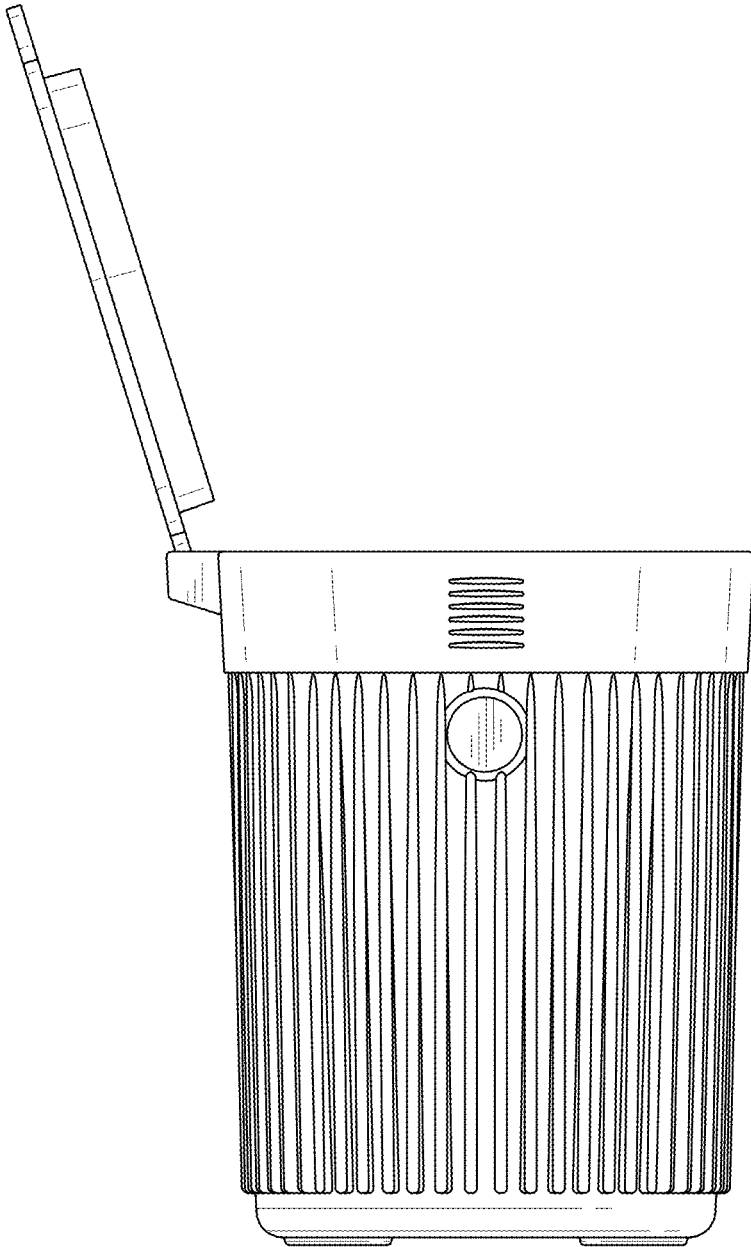


FIG. 5

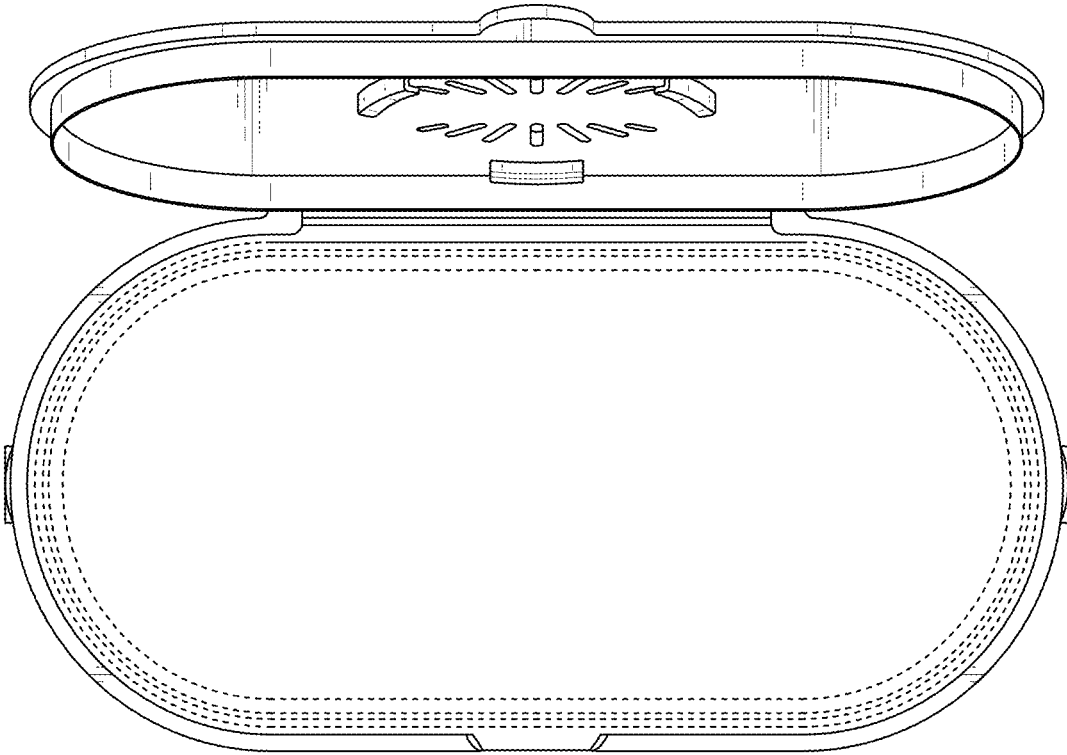


FIG. 6

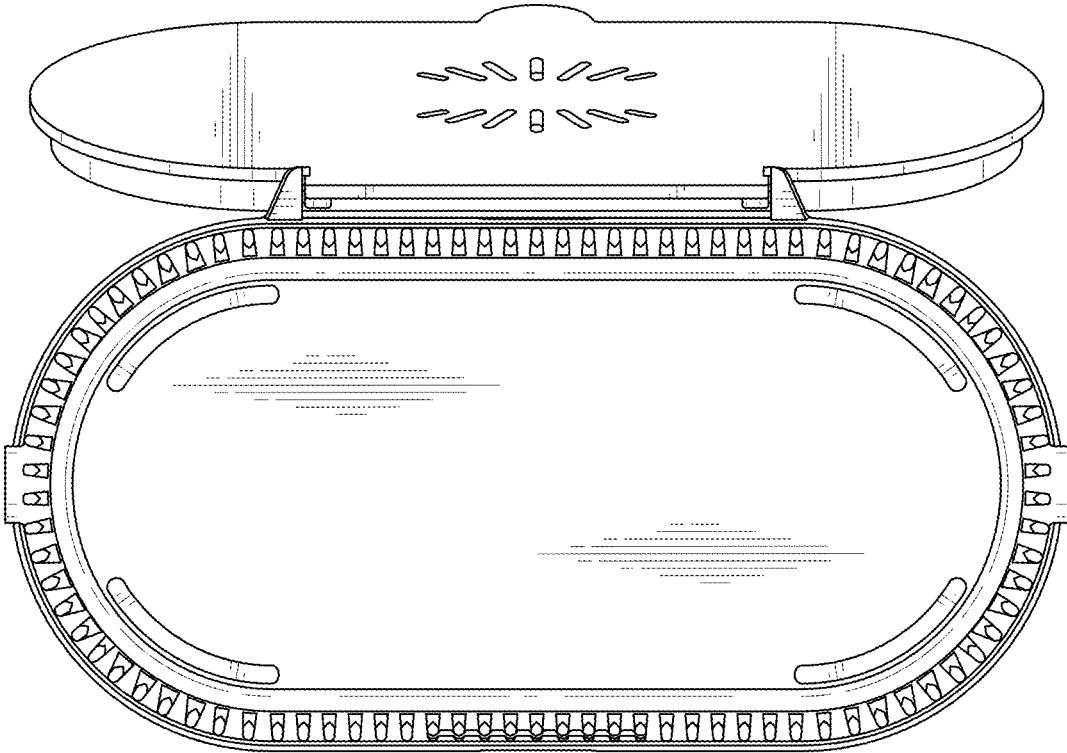


FIG. 7