

(19) World Intellectual Property Organization
International Bureau



(43) International Publication Date
12 June 2008 (12.06.2008)

PCT

(10) International Publication Number
WO 2008/070879 A3

- (51) **International Patent Classification:**
B60N 2/00 (2006.01) B60K 26/00 (2006.01)
- (21) **International Application Number:**
PCT/US2008/051563
- (22) **International Filing Date:** 21 January 2008 (21.01.2008)
- (25) **Filing Language:** English
- (26) **Publication Language:** English
- (30) **Priority Data:**
11/567,423 6 December 2006 (06.12.2006) US
- (71) **Applicant (for all designated States except US):** INNOVATIVE BIOMECHANICAL SOLUTIONS, LLC [US/US]; D/B/A Davinci, LLC, Flagship Technology Center, 2701 Enterprise Drive, Suite 121, Anderson, IN 46013 (US).
- (72) **Inventor; and**
- (75) **Inventor/Applicant (for US only):** PHIPPS, Paul [US/US]; 10896 Hamilton Pass, Fishers, IN 46037 (US).
- (74) **Agents:** PAUL, Marta, L. et al; Woodard, emhardt, Moriarty, Mcnett & Henry LLP, 111 Monument Circle, Suite 3700, Indianapolis, IN 46204 (US).
- (81) **Designated States (unless otherwise indicated, for every kind of national protection available):** AE, AG, AL, AM,

AO, AT, AU, AZ, BA, BB, BG, BH, BR, BW, BY, BZ, CA, CH, CN, CO, CR, CU, CZ, DE, DK, DM, DO, DZ, EC, EE, EG, ES, FI, GB, GD, GE, GH, GM, GT, HN, HR, HU, ID, IL, IN, IS, JP, KE, KG, KM, KN, KP, KR, KZ, LA, LC, LK, LR, LS, LT, LU, LY, MA, MD, ME, MG, MK, MN, MW, MX, MY, MZ, NA, NG, NI, NO, NZ, OM, PG, PH, PL, PT, RO, RS, RU, SC, SD, SE, SG, SK, SL, SM, SV, SY, TJ, TM, TN, TR, TT, TZ, UA, UG, US, UZ, VC, VN, ZA, ZM, ZW

(84) **Designated States (unless otherwise indicated, for every kind of regional protection available):** ARIPO (BW, GH, GM, KE, LS, MW, MZ, NA, SD, SL, SZ, TZ, UG, ZM, ZW), Eurasian (AM, AZ, BY, KG, KZ, MD, RU, TJ, TM), European (AT, BE, BG, CH, CY, CZ, DE, DK, EE, ES, FI, FR, GB, GR, HR, HU, IE, IS, IT, LT, LU, LV, MC, MT, NL, NO, PL, PT, RO, SE, SI, SK, TR), OAPI (BF, BJ, CF, CG, CI, CM, GA, GN, GQ, GW, ML, MR, NE, SN, TD, TG).

Declarations under Rule 4.17:

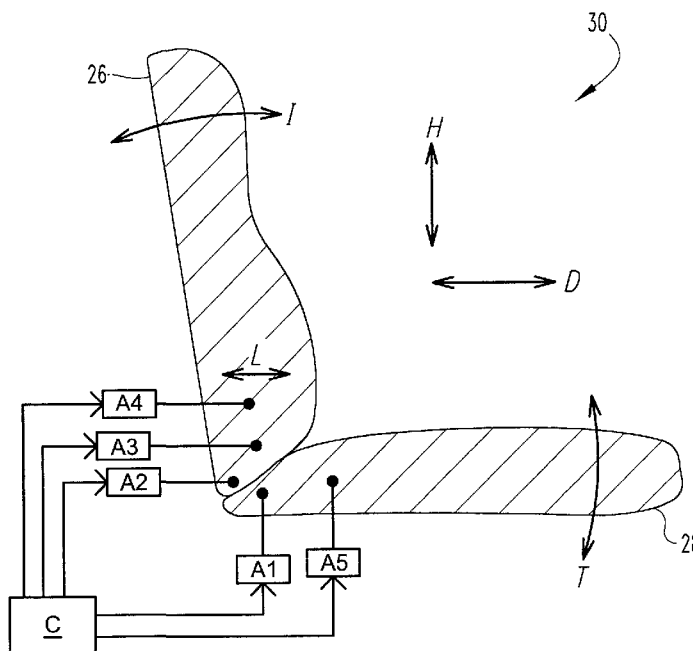
- as to applicant's entitlement to apply for and be granted a patent (Rule 4.17(U))
- as to the applicant's entitlement to claim the priority of the earlier application (Rule 4.17(Ui))

Published:

- with international search report

[Continued on next page]

(54) **Title:** VEHICLE SEATING SYSTEM AND METHOD FOR REDUCING FATIGUE



(57) **Abstract:** A vehicle seating system can be used within a variety of vehicles to reduce positional fatigue and other effects of long distance traveling. Such a system includes a typical vehicle seat mountable in a vehicle, at least two powered seat energizer members, including at least one thermal energizer, and an electrical controller. The energizer members are activated to alter the seating condition created by the seat, thereby impacting circulation and reducing fatigue experienced by a vehicle traveler.

WO 2008/070879 A3



— *with information concerning request for restoration of the right of priority in respect of one or more priority claims*

(88) Date of publication of the international search report:
18 September 2008

(15) Information about Correction:

Previous Correction:

see Notice of 7 August 2008

INTERNATIONAL SEARCH REPORT

International application No
PCT/US 08/51563

A CLASSIFICATION OF SUBJECT MATTER
IPC(8) - B60N 2/00, B60K 26/00 (2008 04)
USPC - 296/63, 180/326
According to International Patent Classification (IPC) or to both national classification and IPC

B FIELDS SEARCHED
Minimum documentation searched (classification system followed by classification symbols)
IPC(8) - B60N 2/00, B60K 26/00 (2008 04)
USPC - 296/63, 180/326

Documentation searched other than minimum documentation to the extent that such documents are included in the fields searched
USPC - 296/64, 65 01, 180/329, 330 (text search - see terms below)

Electronic data base consulted during the international search (name of data base and, where practicable, search terms used)
PubWEST(USPT,PGPB,EPAB,JPAB), Google Scholar, Google Patents
Search Terms vehicle, seat, heating, power, controller, thermal, movable, electrical, massage, actuator, horizontal, forward, ahead, incline, tilt, lumbar, vertical, raise, recline, hold, pause, delay, time, period, phase, chair, adjustable

C DOCUMENTS CONSIDERED TO BE RELEVANT

Category*	Citation of document, with indication, where appropriate, of the relevant passages	Relevant to claim No
X --- Y	US 6,590,354 A (Hem) 08 July 2003 (08 07 2003), Fig 4, col 2, ln 33-36, col 6, ln 50-60, col 7, ln 24-28 and ln 47-54	1-3, 5-9, 11-12 and 16-19 ----- 4, 10, 13-15 and 20-22
Y	US 4,840,425 A (Noble) 20 June 1989 (20 06 1989), Fig 1 col 4, ln 59-68 to col 5, ln 1-5, col 5, ln 47-50	4, 10, 13-15 and 20-22

Further documents are listed in the continuation of Box C

- Special categories of cited documents
- "A" document defining the general state of the art which is not considered to be of particular relevance
- "E" earlier application or patent but published on or after the international filing date
- "L" document which may throw doubts on priority claim(s) or which is cited to establish the publication date of another citation or other special reason (as specified)
- "O" document referring to an oral disclosure, use, exhibition or other means
- "P" document published prior to the international filing date but later than the priority date claimed
- "T" later document published after the international filing date or priority date and not in conflict with the application but cited to understand the principle or theory underlying the invention
- "X" document of particular relevance, the claimed invention cannot be considered novel or cannot be considered to involve an inventive step when the document is taken alone
- "Y" document of particular relevance, the claimed invention cannot be considered to involve an inventive step when the document is combined with one or more other such documents, such combination being obvious to a person skilled in the art
- "&" document member of the same patent family

Date of the actual completion of the international search 24 June 2008 (24 06 2008)	Date of mailing of the international search report 01 JUL 2008
--	--

Name and mailing address of the ISA/US Mail Stop PCT, Attn ISA/US, Commissioner for Patents P O Box 1450, Alexandria, Virginia 22313-1450 Facsimile No 571-273-3201	Authorized officer Lee W Young PCT Hq/ISA/US 571 272-4300 PCTOSP 571 272-7774
--	--