

(19) World Intellectual Property
Organization
International Bureau



(43) International Publication Date
10 November 2005 (10.11.2005)

PCT

(10) International Publication Number
WO 2005/106568 A2

(51) International Patent Classification⁷: **G02C 3/04**, 1/04

(21) International Application Number:
PCT/US2005/014245

(22) International Filing Date: 25 April 2005 (25.04.2005)

(25) Filing Language: English

(26) Publication Language: English

(30) Priority Data:
60/565,132 23 April 2004 (23.04.2004) US
11/113,634 22 April 2005 (22.04.2005) US

(71) Applicant and

(72) Inventor: **McDERMOTT, Betty, Ann** [US/US]; 5051
Justin Drive, N.W., Albuquerque, NM 87114-4312 (US).

(74) Agent: **ASKENAZY, Philip, D.**; Peacock Myers
& Adams, P.C., P.O. Box 26927, Albuquerque, NM
87125-6927 (US).

(81) Designated States (*unless otherwise indicated, for every
kind of national protection available*): AE, AG, AL, AM,

AT, AU, AZ, BA, BB, BG, BR, BW, BY, BZ, CA, CH, CN,
CO, CR, CU, CZ, DE, DK, DM, DZ, EC, EE, EG, ES, FI,
GB, GD, GE, GH, GM, HR, HU, ID, IL, IN, IS, JP, KE,
KG, KM, KP, KR, KZ, LC, LK, LR, LS, LT, LU, LV, MA,
MD, MG, MK, MN, MW, MX, MZ, NA, NI, NO, NZ, OM,
PG, PH, PL, PT, RO, RU, SC, SD, SE, SG, SK, SL, SM, SY,
TJ, TM, TN, TR, TT, TZ, UA, UG, US, UZ, VC, VN, YU,
ZA, ZM, ZW.

(84) Designated States (*unless otherwise indicated, for every
kind of regional protection available*): ARIPO (BW, GH,
GM, KE, LS, MW, MZ, NA, SD, SL, SZ, TZ, UG, ZM,
ZW), Eurasian (AM, AZ, BY, KG, KZ, MD, RU, TJ, TM),
European (AT, BE, BG, CH, CY, CZ, DE, DK, EE, ES, FI,
FR, GB, GR, HU, IE, IS, IT, LT, LU, MC, NL, PL, PT, RO,
SE, SI, SK, TR), OAPI (BF, BJ, CF, CG, CI, CM, GA, GN,
GQ, GW, ML, MR, NE, SN, TD, TG).

Declaration under Rule 4.17:

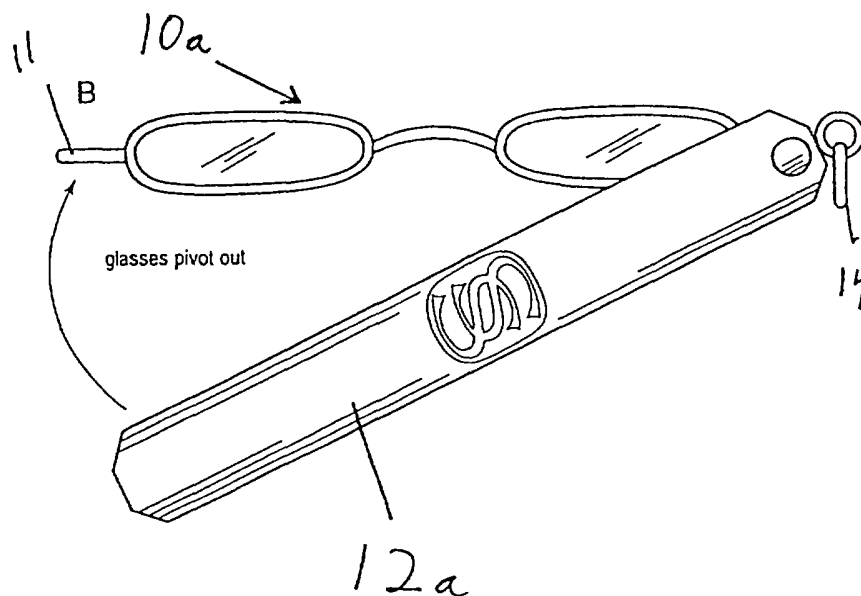
— *of inventorship (Rule 4.17(iv)) for US only*

Published:

— *without international search report and to be republished
upon receipt of that report*

[Continued on next page]

(54) Title: EYEGLASSES WITH INTEGRAL CASE



(57) Abstract: Eyeglasses having an integral case. The eyeglasses may swivel or slide out from a protective case. An attachment mechanism, such as a clip, may be integrated with the case. A file or other personal care item may also be integrated with the case or frame. In another embodiment, the earpieces of the eyeglasses can be folded to cover at least a majority of the surface area of the lenses.

WO 2005/106568 A2



For two-letter codes and other abbreviations, refer to the "Guidance Notes on Codes and Abbreviations" appearing at the beginning of each regular issue of the PCT Gazette.

EYEGASSES WITH INTEGRAL CASE

5

CROSS-REFERENCE TO RELATED APPLICATIONS

This application claims priority to and the benefit of the filing of U.S. Provisional Patent Application Serial No. 60/565,132, entitled "Reading Glasses and Case", filed on April 23, 2004, and the specification thereof is incorporated herein by reference.

10

BACKGROUND OF THE INVENTION**Field of the Invention (Technical Field):**

The present invention relates to eye glasses. Particularly, the present invention relates to reading glasses having an integral case.

15

Description of Related Art:

Note that the following discussion refers to a number of publications and references. Discussion of such publications herein is given for more complete background of the scientific principles and is not to be construed as an admission that such publications are prior art for patentability determination purposes.

20

Foldable eyeglasses are well known. Examples include U.S. Patent No. 1,899,664, U.S. Patent No. 6,406,144, U.S. Patent No. 1,297,019; and those described at www.optimaxchina.com/folding_glasses.htm. Other inventions are known which provide a magnifying glass which pivots away from its holder. Examples of these include U.S. Patent No. Des 413,504; U.S. Patent No. 6,502,936; and U.S. Patent No. 1,838,494. The problem with inventions which provide a magnifying glass which pivots away from its holder is that they do not provide a single frame within which a plurality of lenses are disposed. As such, use of such a magnifying glass does not stereoscopically enhance a user's vision. Another problem that is often encountered with known foldable eyeglasses is that a user who requires reading glasses needs to keep reading glasses with them virtually anytime to prevent having to look for them or lose them.

25
30

Users of glasses typically need their glasses with them at all times. Nail files are often used on a regular basis. Incorporating a nail file or the like into a compact pair of glasses, which is attachable to an object, not only enables a user to keep the glasses with them more easily, but also provides a user with the added benefit of also having a file readily available.

35

None of the prior art foldable glasses provide a user with the ability to attach the eyeglasses to an item. Also, none of the prior art foldable glasses provide a user with a file. There is thus a present need for a pair of foldable glasses which comprises an attachment mechanism and which further optionally provides a user with a file incorporated with or otherwise connected to the eyeglasses.

5 Finally, none of the prior art eyeglasses comprise a case which is integrally incorporated with the ear pieces, such that the earpieces of the eyeglasses themselves fold to cover all, or substantially all of the lens surfaces.

BRIEF SUMMARY OF THE INVENTION

10 The present invention is a combination eyeglasses and case comprising a frame comprising a plurality of lenses, a case for substantially enclosing the frame, a connection between the frame and the case for enabling the frame to move relative to the case, and an attachment mechanism. The case optionally comprises a file, which optionally is integrated into the surface area of the case or movably positionable with respect to the case. The connection preferably comprises either a pivot with the frame
15 being rotatable into and out of the case or a sliding mechanism with the frame being slideable into and out of the case. In the latter case, the frame is preferably rotatable with respect to the case after sliding out of the case. The frame preferably further comprises a protrusion for assisting in moving the frame with respect to the case.

20 The combination eyeglasses and case optionally further comprises a spring mechanism for at least partially ejecting the frame from the case and a release mechanism for activating the spring mechanism. The release mechanism preferably is substantially axially aligned with a pivot point and/or preferably comprises a logo. The combination eyeglasses and case optionally comprises a light emitting source. The case optionally comprises a shape approximately conforming to a shape of the
25 frame. The frame preferably comprises a hinge for folding the frame, in which instance the case preferably comprises a size and a shape approximately that of one of the lenses.

The present invention is also a combination eyeglasses and case comprising a frame comprising a plurality of lenses, a case for substantially enclosing the frame, a connection between the
30 frame and the case for enabling the frame to move relative to the case, a spring mechanism for at least partially ejecting the frame from the case, a release mechanism for activating the spring mechanism. The release mechanism is preferably substantially axially aligned with the pivot point and/or preferably comprises a logo. The combination eyeglasses and case of claim 16 further comprises an element selected from the group consisting of file, light emitting source, and attachment mechanism.

35

The present invention is also a combination eyeglasses and case comprising a frame comprising a plurality of lenses and one or more leaf members pivotally connected to the frame, the leaf members sufficiently large to cover a majority of the surface area of the lenses. Each of the leaf members preferably either comprises an earpiece or encloses an earpiece. In the latter instance the leaf members are preferably removable from the earpieces. The combination eyeglasses and case preferably further comprises an element selected from the group consisting of file, light emitting source, and attachment mechanism. The file is preferably incorporated into a surface area of at least one leaf member.

A primary object of the present invention is to provide a pair of reading glasses which are readily transportable and which provide a user the ability to secure them to an item, such as an article of the user's clothing, thus decreasing the chances that the glasses will be unavailable when needed by a user.

Another object of the present invention provides a user not only with eyeglasses comprising the above described useful features, but further provides a user with a file, such as a nail file, or other personal care item which is attached to or otherwise incorporated into the eyeglasses of the present invention.

A further object of the present invention is to provide a folding eyeglass/case combination that has an integrated attachment mechanism, permitting it to be easily carried with the user.

A primary advantage of the present invention is that a case for preventing scratches or other damage to the eyeglasses is integral with the frame of the eyeglasses.

Other objects, advantages and novel features, and further scope of applicability of the present invention will be set forth in part in the detailed description to follow, taken in conjunction with the accompanying drawings, and in part will become apparent to those skilled in the art upon examination of the following, or may be learned by practice of the invention. The objects and advantages of the invention may be realized and attained by means of the instrumentalities and combinations particularly pointed out in the appended claims.

BRIEF DESCRIPTION OF THE SEVERAL VIEWS OF THE DRAWINGS

The accompanying drawings, which are incorporated into and form a part of the specification, illustrate one or more embodiments of the present invention and, together with the description, serve to

explain the principles of the invention. The drawings are only for the purpose of illustrating one or more preferred embodiments of the invention and are not to be construed as limiting the invention. In the drawings:

5 Figs. 1A-C are drawings which show a front view an embodiment of the present invention wherein a pair of glasses are pivotally connected to a case;

Figs. 1D-I are drawings depicting front, back, top, bottom, left side, and right side view drawings respectively and show an embodiment of the present invention wherein a pair of glasses are pivotally
10 connected to a case;

Figs. 2A-D are drawings depicting front and back views which show an embodiment of the present invention wherein a pair of glasses are movably attached to, and slideably removable from, a
15 case;

Figs. 2E-H are top, bottom, left side, and right side view drawings which show an embodiment of the present invention wherein a pair of glasses are movably attached to, and slideably removable from,
a case;

20 Figs. 3A-C are drawings depicting front and back side views which show an embodiment of the present invention wherein glasses which are pivotally connected to a case are stowed within the case and wherein a logo conceals a clasp which prevents rotation of the glasses with respect to the case;

Fig. 3D is a perspective view drawing showing an embodiment of the present invention wherein
25 a pair of glasses that are pivotally connected to a case are partially contained within the case and wherein a logo conceals a clasp which prevents rotation of the glasses with respect to the case;

Figs. 3E-I are drawings depicting front, top, bottom, left side, and right side views of an
30 embodiment of the present invention wherein a pair of glasses are pivotally connected to a case and wherein a logo conceals a clasp which prevents rotation of the glasses with respect to the case;

Figs. 4A, and B are front view drawings which show an embodiment of the present invention wherein a pair of glasses are pivotally attached to a case and wherein a spring is provided for urging a
35 rotational force to the glasses and wherein a release button is provided to secure the glasses within the case;

Fig. 4C is a perspective view drawing which show an embodiment of the present invention wherein a pair of glasses are pivotally attached to a case and wherein a spring is provided for urging a rotational force to the glasses and wherein a release button is provided to secure the glasses within the case;

Figs. 4D-H are drawings which show front, top, bottom, left side, and right side views of an embodiment of the present invention wherein a pair of glasses are pivotally attached to a case and wherein a spring is provided for urging a rotational force to the glasses and wherein a release button is provided to secure the glasses within the case;

Figs. 5A-C are front view drawings which show an embodiment of the present invention wherein a pair of glasses are sandwiched between movable encasement leaves which are removably attached to earpieces connected to the glasses;

Figs. 5D-F are drawings depicting a progression wherein encasement leaves, which are removably attached to earpieces connected to the glasses, are unfolded away from a pair of glasses according to an embodiment of the present invention;

Figs. 5G-I are drawings showing bottom, left side, and right side view drawings of embodiment of the present invention wherein a pair of glasses are sandwiched between movable encasement leaves which are removably attached to earpieces connected to the glasses;

Figs. 6A-G are drawings depicting front, top, bottom, right side, and left side views of an embodiment of the present invention wherein glasses which are pivotally connected to a case are stowed within the case and wherein a logo conceals a clasp which prevents rotation of the glasses with respect to the case;

Figs. 7A-D are drawings depicting front views of an embodiment of the present invention wherein a pair of foldable glasses are pivotally connected to a case, and wherein a spring for urging a rotational force, as well as a release button are provided;

Figs. 7E-I, and J are drawings which show top and side views of an embodiment of the present invention wherein a pair of foldable glasses are pivotally connected to a case, and wherein a spring for urging a rotational force, as well as a release button are provided;

Figs. 8A-D are front view drawings which show an embodiment of the present invention wherein a pair of glasses are pivotally connected to a case and wherein a nail file is provided and fixedly secured to, or otherwise incorporated within, the case;

5

Figs. 8E-H are top, bottom, left, and right side views of an embodiment of the present invention wherein a pair of glasses are pivotally connected to a case and wherein a nail file is provided and fixedly secured to, or otherwise incorporated within, the case;

10

Figs. 9A-D are front view drawings which show an embodiment of the present invention wherein a pair of glasses are pivotally connected to a case and wherein an illuminating device, such as a Light Emitting Diode ("LED"), is fixedly secured to, or otherwise incorporated within, the glasses;

15

Figs. 9E-H are top, bottom, left, and right side views of an embodiment of the present invention which show a pair of glasses are pivotally connected to a case and wherein an illuminating device, such as a Light Emitting Diode ("LED"), is fixedly secured to, or otherwise incorporated within, the glasses;

20

Figs. 10A-D are front view drawings which show an embodiment of the present invention wherein a pair of glasses are pivotally connected to a case and wherein an illuminating device, such as a Light Emitting Diode ("LED"), is fixedly secured to, or otherwise incorporated within, the case;

25

Figs. 10E-H are top, bottom, left, and right side views of an embodiment of the present invention which show a pair of glasses are pivotally connected to a case and wherein an illuminating device, such as a Light Emitting Diode ("LED"), is fixedly secured to, or otherwise incorporated within, the case;

30

Figs. 11A-C are front view drawings which show an embodiment of the present invention wherein a pair of glasses are sandwiched between movable encasement leaves;

35

Figs. 11D-F are drawings depicting a progression wherein encasement leaves are unfolded away from a pair of glasses according to an embodiment of the present invention;

35

Figs. 11G-I are drawings showing bottom, left side, and right side view drawings of embodiment of the present invention wherein a pair of glasses are sandwiched between movable encasement leaves;

Figs. 12A-C are front view drawings which show an embodiment of the present invention wherein a pair of glasses are sandwiched between movable encasement leaves which comprise a curved or otherwise hooked end;

5 Figs. 12D-F are drawings depicting a progression wherein encasement leaves, which comprise a curved or otherwise hooked end, are unfolded away from a pair of glasses according to an embodiment of the present invention;

10 Figs. 12G-I are drawings showing bottom, left side, and right side view drawings of embodiment of the present invention wherein a pair of glasses are sandwiched between movable encasement leaves which comprise a curved or otherwise hooked end;

15 Figs. 13A-D are front view drawings which show an embodiment of the present invention wherein a pair of glasses are pivotally connected to a case and wherein a nail file is pivotally connected to the case;

20 Figs. 13E-H are top, bottom, left, and right side views of an embodiment of the present invention which show a pair of glasses are pivotally connected to a case and wherein a nail file is pivotally connected to the case;

Figs. 14A-C are front view drawings which show an embodiment of the present invention wherein a pair of glasses are sandwiched between movable encasement leaves, one or both of which comprise a nail file fixedly secured to, or otherwise incorporated in the leaf;

25 Figs. 14D-F are drawings depicting a progression wherein encasement leaves are unfolded away from a pair of glasses according to an embodiment of the present invention, one or both of which comprise a nail file fixedly secured to, or otherwise incorporated in the leaf;

30 Figs. 14G-I are drawings showing bottom, left side, and right side view drawings of embodiment of the present invention wherein a pair of glasses are sandwiched between movable encasement leaves, one or both of which comprise a nail file fixedly secured to, or otherwise incorporated in the leaf; and

35 Figs. 15A-D are schematic representations depicting circuits which can be used in accordance with one or more embodiments of the present invention.

DETAILED DESCRIPTION OF THE INVENTION

The various elements of the present invention can be made from any material or combinations of materials known to those skilled in the art to provide desirable results for each of their respective
5 functions.

The term "attachment mechanism", as used throughout the specification and claims is intended to include any and all attachment mechanisms including, but not limited to, carabiners, hooks, leashes, lanyards, clips, hook and loop tape, keychains, key rings, other fastening devices and/or combinations
10 of these which provide a user the ability to readily attach the glasses of the present invention to one or more items. The attachment mechanisms of the present invention can be located at any appropriate area on any and all embodiments of the present invention, regardless of their depicted position. The attachment mechanisms of the present invention can be made from metals, plastics, woods, other suitable materials, and/or combinations of these.

15 Embodiments of the present invention can have one or more files attached to, or otherwise incorporated with, the eyeglasses of the present invention. Although the preferred file comprises a metal nail file, the files used in the present invention need not be limited strictly to metal files, and as such can comprise any material known to those skilled in the art to provide desirable results for filing
20 one's nails.

The present invention relates to eyeglasses, including but not limited to prescription glasses, reading glasses, and sunglasses, designed to fold, slide, or rotate in and out of a case and to be attached to an item via an attachment mechanism. The present invention protects the lenses of the
25 eyeglasses from scratches and abrasions by providing a case which is movably connected to the frame. The frame of the present invention preferably comprises a plurality of individual lenses. It is further preferable that the frame be designed such that the lenses have a spacing substantially similar to that of a user's eyes, thus providing a user with the ability to simultaneously place individual lenses in front of the user's eyes. Further, the present invention prevents loss of the eyeglasses by preferably providing
30 an attachment mechanism. Still further, the present invention provides a compact and readily stowable pair of eyeglasses.

A preferred embodiment of the present invention provides a pair of eyeglasses having leaves, which are optionally used as earpieces, which are wide and foldable in such a manner that, when
35 folded, the leaves form a case which provides protection from scratches and abrasions to the frame of

the eyeglasses of the present invention. Another preferred embodiment of the present invention provides a pair of eyeglasses which are foldable into a case and which case comprises a nail file adhered to, incorporated into, or movably positional with respect to the case. Every embodiment of the present invention preferably, though not essentially, comprises an attachment mechanism such that a user is provided the ability to readily secure the eyeglasses to one or more items.

In alternative embodiments, the frame of the eyeglasses may pivot in and out of the case, fold in and out of the case, or slide in and out of the case. Various elements of the present invention can have an assortment of shapes and sizes. The cases of the present invention can include, but are not limited to, any materials which can be fashioned to provide a case, slim line cases, flat cases, oval cases, and any suitable shape or size of case to meet the various size or shape of the glasses. Embodiments of the present invention may include earpiece earpieces. Additionally, embodiments of the present invention may use, but are not limited to, spring mechanisms, slide mechanisms, other mechanisms, or combinations thereof, which enable the frame of the eyeglasses to be movably attached to the case. Further, one or more elements, devices, structures, or components can be optionally provided which facilitate the removal of the frame of the eyeglasses from one of more of the case elements.

Cosmetic designs, logos, emblems, or other such similar elements may be included in the design of the present invention. Any of the above mentioned components may be combined to form alternative embodiments of the present invention.

Reference is now made to the drawings which illustrate the preferred and alternative embodiments of the present invention. Fig. 1A is a drawing depicting an internal view wherein frame **10a** is folded inside case **12a**, which is preferably a slim line case. The case may comprise aluminum, leather, plastic, acrylic, fabric, metal or other suitable materials. Although, not essential, protrusion **11** is preferably provided to facilitate rotating frame **10a** into and out of case **12a**. Pivot point **20a** connects frame **10a** to case **12a** in a rotatable fashion, thus allowing frame **10a** to pivot in and out of case **12a**. Frictional interference is preferably provided such that frame **10a** pivots out of case **12a** only when an intentional force is applied thereto by a user. Although Attachment mechanism **14** is depicted as residing in its most preferred placement - a terminal portion of case **12a** - in every embodiment of the present invention, attachment mechanism **14** can optionally be disposed anywhere on the present invention. Preferably, however, attachment mechanism **14** is disposed in an area which enables a user to easily make use of attachment mechanism **14**. Fig. 1B shows how frame **10a** preferably pivot out. In Fig. 1C frame **10a** are opened and ready to use. Fig. 1D is a front view of frame **10a** enclosed in case **12a**. A logo design can optionally be disposed on case **12a**. Upon reviewing this application, those

skilled in the art will recognize that the logo design and placement can be stylistically rearranged on case **12a**. In Fig. 1E the back of case **12a** is shown with frame **10a** enclosed. Fig. 1F shows the top view of closed case **12a** from which frame **10a** can be seen and accessed. Fig. 1G shows the bottom view of closed case **12a**. Fig. 1H shows the left side view of closed case **12a** and Figure 1I shows the right side view of case **12a**.

Fig. 2A shows the front view of case **12b**, which is preferably a tubular case. Frame **10b** is inside case **12b**. Slide tab **16** moves (e.g. left to right) while sliding inside of groove **18** which is incorporated into case **12b**. Sliding tab **16** within groove **18** enables frame **10b**, and thus the lenses, to be exposed. Hinge **17** is optionally provided which enables frame **10b** to rotate partially thereabout, thus enabling a user to slide out frame **10b** and then swing it down such that it forms substantially a 90 degree angle with case **12b**. By doing this, case **12b** can function as a handle which enables a user to grasp it and position frame **10b** with respect to a user's eyes. Fig. 2B shows the back of tubular case **12b**. In this figure, case **12b** is closed and contains frame **10b**. Fig. 2C is an internal view of frame **10b** in case **12b**. Fig. 2D shows the front view of tubular case **12b** with tab **16** positioned at the far right of groove **18**, thus exposing frame **10b** for use. End cap **19** is optionally provided and preferably rotates open when frame **10b** is slid out of case **12b**, and preferably rotates closed when frame **10b** is slid into case **12b**. Fig. 2E is a top view of frame **10b** inside tubular case **12b**. Fig. 2F is a bottom view of frame **10b** which is disposed within tubular case **12b**. Fig. 2G is a left side view of the closed and covered top of tubular case **12b**. The top opens and the slide moves as frame **10b** moves out of the tubular case **12b**. In Fig. 2H the right side of closed case **12b** is shown.

Fig. 3A shows a front view of case **12c**, which is preferably a flat case. An optional logo is shown in the middle but can be changed or adjusted in location and/or design. Frame **10c**, and thus the lenses, are inside case **12c**. Fig. 3B shows a back view of case **12c** with frame **10c** inside. Fig. 3C shows an internal view of a front of case **12c** with frame **10c** shown inside. Release mechanism **22a** is preferably provided. More preferably, release mechanism **22a** is positioned beneath a logo. With release **22a** positioned behind a logo, release mechanism **22a** can be activated by pushing the logo up, down, to one side or another, or inwardly toward an internal portion of case **12c**. Fig. 3D shows the front view of case **12c** illustrating release mechanism **22a** which can be activated as previously described. This action releases frame **10c** from case **12c**. Although, not essential, protrusion **11** is preferably provided to facilitate rotating frame **10a** into case **12c**. Fig. 3E shows an opened position of frame **10c**. In Fig. 3F a bottom view of closed case **12c** is shown. In Fig. 3G the top of case **12c** is shown with a view of frame **10c** stowed within case **12c**. In Fig. 3H the left side view of closed case **12c** is shown. In Fig. 3I the right side view of closed case **12c** is shown.

Fig. 4A shows the front view of case **12d**, which is preferably a flat case. Also shown, release **24a** is preferably disposed on a lower end portion of case **12d**. In Fig. 4B an internal view of frame **10d** inside closed case **12d** is shown. Release **24a** is preferably a push button release and preferably
5 comprises a simple spring and latch mechanism such that energy from the spring causes frame **10d** to rotate out of case **12d** when release **24b** is pressed. Fig. 4C shows a front view of case **12d** with frame **10d** being released by a push of release **24a**. In Fig. 4D frame **10d** are shown in an open position. In this figure, case **12d** is disposed in a substantially right angled position with respect to frame **10d**. As such, case **12d** can be used as a handle for the glasses of the present invention. In Fig. 4E a top view
10 case **12d** is shown. As depicted therein, frame **10d** preferably fits within a recess disposed within case **12d**. Fig. 4F is the bottom view of closed case **12d**. Fig. 4G shows the left side view of closed case **12d** and Fig. 4H the right side view of closed case **12d**.

Fig. 5A shows the front of case **12e**, which is preferably substantially flat. Fig. 5B shows an
15 internal view wherein frame **10e**, and thus the lenses, are disposed within closed case **12e**. Fig. 5C shows an internal side view wherein earpiece **30** of frame **10e** is disposed within leaf **26a**. When a plurality of leaves **26a** and **26a'** are folded together, as depicted in Figs. 5D and E, leaves **26a** and **26a'** thus form case **12e** (see fig. 5A), which protects frame **10e** and the lenses from scratches and abrasions. Fig. 5D shows a top view of case **12e**. In this view, earpiece **30'** of frame **10e** is disposed
20 within a recess of a leaf **26a'**. Also depicted in this view, leaf **26a'** is folded to cover all or a majority of one side of the lenses of frame **10e**. Frame **10e** is thus sandwiched between leaves **26a** and **26a'**. Right earpiece **30** of frame **10e** is preferably disposed within a hollow recess of leaf **26a**. This leaf is preferably foldable to cover all or a majority of the other side of frame **10e**. In Fig. 5E right earpiece **30**, disposed within leaf **26a**, is depicted in a position where it is partially flipped out from frame **10e**. Frame
25 **10e**, disposed between leaves **26a** and **26a'** are now exposed. Leaf **26a'** is then brought back to allow frame **10e** to be worn. Fig. 5F shows an opened position of frame **10e**, with both earpieces **30** and **30'** disposed within their respective leaves. One earpiece is preferably pivoted forward and the other is preferably pivoted backward. This shows that frame **10e** can be worn with the earpieces still encased within their respective leaves. A user can simply place the leaves above the user's ears. As previously
30 described, it is preferable that leaves **26a** and **26a'**, when pivoted back to their starting position, actually form case **12e**. Earpieces **30** and **30'** can also optionally be removed from the recesses of their leaves if desired. In so doing, a user can then wear the glasses of the present invention by placing earpieces **30** and **30'** above the user's ears. In Fig. 5G the bottom of closed case **12e** is shown. In Fig. 5H the left side of closed case **12e** is shown. Fig 5I shows the right side view of closed case **12e**.

35

Fig. 6A shows case **12f** containing frame **10f** in a closed position. Spring mechanism **24b** preferably allows frame **10f** to pivot out from a top of case **12f** as shown in Fig. 6b. A logo, emblem, or other design for release mechanism **22b** is preferably provided and acts as a simple catch mechanism, which catches and retains frame **10f** when it is pressed into case **12f**. Although it is preferred that catch
5 **22b** be a logo, emblem, or other design, any catch will provide desirable results even when release mechanism **22b** is not an emblem or logo or any other decorative element. The logo design catch depicted in the figures is depicted in a central portion of case **12f**, however, release mechanism **22b** can be placed anywhere so long as it is capable of retaining frame within case **12f** until activated by a user. In Fig. 6B frame **10f** is shown in an open position. Release mechanism **22b** can be designed by those
10 skilled in the art such that manipulation of release **22b**, in virtually any direction, will activate release **22b** and thus allow energy stored in spring mechanism **24b** to cause frame **10f** to rotate at least partially out of case **12f**. In Fig. 6C the top view of case **12f** is shown wherein frame **10f** is disposed within case **12f**. Release **22b** can be seen at the top in the middle. In Fig. 6D the bottom of case **12f** is shown closed. The catch **22b** is shown in the middle. Fig. 6E is an internal view of frame **10f** disposed within case **12f**.
15 Frame **10f** can be affixed at the top or bottom allowing them to pivot from case **12f**. Figs. 6F and 6G show the left side and right side views of closed case **12f** respectively.

Fig. 7A shows closed oval case **12g** containing frame **10g**. Although case **12g** is depicted as being substantially oval, case **12g** can be any shape that will accommodate storage of folded frame
20 **10g**. Combination spring and release mechanism and catch **24c** is preferably provided in this embodiment and functions to retain frame **10g** within case **12g** under spring tension until release mechanism **24c** is activated by a user. Although a simple push-button catch is preferable, any catch known to those skilled in the art can provide desirable results. Fig. 7B depicts frame **10g** in an open position. In this embodiment, frame **10g** is preferably hinged in central portion **32** such that the
25 individual lenses of frame **10g** can fold flat against one another. This enables case **12g** to be produced in a shortened length. In Fig. 7C the fully opened position of frame **10g** is shown. This figure shows frame **10g** fully extended with both lenses flipped open and ready to wear. Fig. 7D shows an internal view of frame **10g** in closed case **12g**. Spring and release mechanism **24c** is depicted on a top portion of case **12g** and activation the catch preferably enables frame **10g** to pivot out of case **12g**. Fig. 7E
30 shows a top view of frame **10g** in a partially opened position and Fig. 7F shows a top view of frame **10g** in a fully opened position. Fig. 7G shows a top view of frame **10g** inside case **12g** (from this angle frame **10g** can be viewed folded inside case **12g**). Fig. 7H is the bottom view of frame **10g** inside of case **12g**. Fig. 7I shows a left side view of closed case **12g** and Fig. 7J shows a right side view of closed case **12g**.

35

Fig. 8A shows the front view of case **12h**, which is preferably a flat case, with file **34** attached thereto. Although this figure shows file **34** attached to a bottom portion of case **12h**, file **34** can be attached virtually anywhere on case **12h** and will provide desirable results. Further, file **34** can be integrally incorporated into case **12h**. For example, case **12h** can have a portion of its surface
5 roughened to create a file-like surface. Also shown, release **24d** is preferably disposed on a lower end portion of case **12h**. In Fig. 8B an internal view of frame **10h** inside closed case **12h** is shown. Release **24d** is preferably a push button release and preferably a simple spring mechanism is disposed within release **24d** such that energy from the spring causes frame **10h** to rotate out of case **12h** when release **24b** is pressed. Fig. 8C shows a front view of case **12h** with frame **10h** being released by a push of
10 release **24d**. In Fig. 8D frame **10h** is shown in an open position. In this figure, case **12h** is disposed in a substantially right angled position with respect to frame **10h**. As such, case **12h** can be used as a handle for the glasses of the present invention. In Fig. 8E a top view case **12h** is shown. As depicted therein, frame **10h** preferably fits within a recess disposed within case **12h**. Fig. 8F is the bottom view of closed case **12h**. Fig. 8G shows the left side view of closed case **12h** and Fig. 8H the right side view
15 of closed case **12h**.

Fig. 9A shows the front view of case **12i**, which is preferably a flat case. Also shown, release **24e** is preferably disposed on a lower end portion of case **12i**. In Fig. 9B an internal view of frame **10i** inside closed case **12i** is shown. Release **24e** is preferably a push button release and preferably a
20 simple spring mechanism is disposed within release **24e** such that energy from the spring causes frame **10i** to rotate out of case **12i** when release **24b** is pressed. Fig. 9C shows a front view of case **12i** with frame **10i** being released by a push of release **24e**. As depicted therein, frame **10i** preferably has light emitting source **36** disposed between the individual lenses. Light emitting source **36** may be used to provide a reading light, as decoration, or for any other purpose. Although this position on frame **10i** is
25 the most preferred, light emitting source **36** can be disposed anywhere on frame **36** and desirable results will be produced. Further, although these figures depict only one light emitting source **36**, multiple light emitting sources can be provided, which sources can be bundled together or spaced apart, and will also produce desirable results. Although it is preferred that light emitting source **36** comprise a light emitting diode, any object, element, device, apparatus, or system capable of emitting light can be
30 used and will provide desirable results. Light emitting device **36** can be activated by the press of a button disposed in any location on frame **10i**, or case **12i**. Optionally light generating source **36** can be automatically activated when frame **10i** is pivoted from case **12i**. Also, light generating source **36** can optionally be activated when release **24e** is pressed. Those skilled in the art will readily recognize that a power source for providing power to light emitting device **36** should be incorporated somewhere on or in
35 the eyeglasses of the present invention. Figs. 15A-D depict alternative schematic embodiments for

producing light in accordance with the present invention. In Fig. 9D frame 10i, with light emitting source 36 disposed thereon, is shown in an open position. In this figure, case 12i is disposed in a substantially right angled position with respect to frame 10i. As such, case 12i can be used as a handle for the glasses of the present invention. In Fig. 9E a top view case 12i is shown. As depicted therein, frame 10i preferably fits within a recess disposed within case 12i. Fig. 9F is the bottom view of closed case 12i. Fig. 9G shows the left side view of closed case 12i and Fig. 9H the right side view of closed case 12i.

Fig. 10A shows a front view of case 12j, which is preferably a flat case. Also shown, release mechanism 24f is preferably disposed on a lower end portion of case 12j. In Fig. 10B an internal view of frame 10j inside closed case 12j is shown. Release 24f is preferably a push button release and preferably a simple spring mechanism is disposed within release 24f such that energy from the spring causes frame 10j to rotate out of case 12j when release 24b is pressed. Fig. 10C shows a front view of case 12j with frame 10j being released by a push of release 24f. As depicted therein, case 12j preferably has light emitting source 36' disposed thereon. Although this figure depicts a particular position on case 12j whereon light emitting source 36' is disposed, light emitting source 36' can be disposed anywhere on an external surface of case 12j and desirable results will be produced. Further, although these figures depict only one light emitting source 36', multiple light emitting sources can be provided, which sources can be bundled together or spaced apart, and will also produce desirable results. Although it is preferred that light emitting source 36' comprise a light emitting diode, any object, element, device, apparatus, or system capable of emitting light can be used and will provide desirable results. Light emitting device 36' can be activated by the press of a button disposed in any location on frame 10j, or case 12j. Optionally light generating source 36' can be automatically activated when release 24f is pressed. As mentioned above, Figs. 15A-D depict alternative schematic embodiments for producing light in accordance with the present invention. Those skilled in the art will readily recognize that a power source, such as a battery, will necessarily need to be incorporated into the glasses of the present invention such that power can be supplied to the one or more light emitting devices 36'. In Fig. 10D frame 10j is shown in an open position wherein case 12j has light emitting source 36' disposed on a front surface thereof. In this figure, case 12j is disposed in a substantially right angled position with respect to frame 10j. As such, case 12j can be used as a handle for the glasses of the present invention. In Fig. 10E a top view case 12j is shown. As depicted therein, frame 10j preferably fits within a recess disposed within case 12j. Fig. 10F is the bottom view of closed case 12j. Fig. 10G shows the left side view of closed case 12j and Fig. 10H the right side view of closed case 12j.

35

Fig. 11A shows the front of case **12k**, which is preferably substantially flat. Fig. 11B shows an internal view wherein frame **10k** is disposed within closed case **12k**. Fig. 11C shows an internal side view wherein earpiece **30** is disposed within leaf **26b**. When a plurality of leaves **26b** and **26b'** are folded together, as depicted in Figs. 5D and E, leaves **26b** and **26b'** thus form case **12k** (see Fig. 11A), which protects the lenses of frame **10k** from scratches and abrasions. Fig. 11D shows a top view of case **12k**. In this view, earpiece **30'** of frame **10k** is formed from, or fixedly secured within leaf **26b'**. Also depicted in this view, leaf **26b'** is folded to cover a top of frame **10k**. The lenses of frame **10k** are thus sandwiched between leaves **26b** and **26b'**. Right earpiece **30** of frame **10k** is preferably part of, or fixedly secured within leaf **26b**. This leaf is preferably foldable to cover a bottom of frame **10k**. In Fig. 11E right earpiece **30**, incorporated within, or attached to leaf **26b**, is depicted in a position where it is partially flipped out from a top of frame **10k**. The lenses of frame **10k**, disposed between leaves **26b** and **26b'** is now exposed. Leaf **26b'** is then brought back to allow the eyeglasses of the present invention to be worn. Fig. 11F shows the fully opened position of frame **10k**, with both earpieces **30** and **30'** incorporated within their respective leaves. One earpiece is preferably pivoted forward and the other is preferably pivoted backward. This shows that frame **10k** can be worn by a user by allowing the leaves to rest upon the user's ears. As previously described, it is preferable that leaves **26b** and **26b'**, when pivoted back to their starting position, actually form case **12k**. In Fig. 11G the bottom of closed case **12k** is shown. In Fig. 11H the left side of closed case **12k** is shown. Fig. 11I shows the right side view of closed case **12k**.

Fig. 12A shows the front of case **12l**, which is preferably substantially flat. Fig. 12B shows an internal view wherein frame **10l** is disposed within closed case **12l**. Fig. 12C shows an internal side view wherein earpiece **30** of frame **10l** is disposed within leaf **26c**. When a plurality of leaves **26c** and **26c'** are folded together, as depicted in Figs. 5D and E, leaves **26c** and **26c'** thus form case **12l** (see Fig. 12A), which protects the lenses of frame **10l** from scratches and abrasions. Fig. 12D shows a top view of case **12l**. In this view, earpiece **30'** is formed from, or fixedly secured within leaf **26c'**. Also depicted in this view, leaf **26c'** is folded to cover a top of frame **10l**. The lenses of frame **10l** are thus sandwiched between leaves **26c** and **26c'**. Right earpiece **30** is preferably part of, or fixedly secured within leaf **26c**. This leaf is preferably foldable to cover a bottom of frame **10l**. In Fig. 12E right earpiece **30**, incorporated within, or attached to leaf **26c**, is depicted in a position where it is partially flipped out from a top of frame **10l**. The lenses of frame **10l**, disposed between leaves **26c** and **26c'** are now exposed. Leaf **26c'** is then brought back to allow the eyeglasses of the present invention to be worn. Fig. 12F shows an open position of frame **10l**, with both earpieces **30** and **30'** incorporated within their respective leaves. This figure best depicts the preferred shape of leaves **26c** and **26c'** for this embodiment. As best depicted therein, leaves **26c** and **26c'** are preferably hooked or otherwise curved

on their terminal end. This shape better enables the glasses of the present invention to stay on a user because the hooked shaped ends of leaves **26c** and **26c'** preferably wrap around behind a user's ear when the glasses of this embodiment are properly worn. One earpiece is preferably pivoted forward and the other is preferably pivoted backward. This shows that frame **10I** can be worn by a user by
5 allowing the leaves to rest upon the user's ears and curve behind the ears. As previously described, it is preferable that leaves **26c** and **26c'**, when pivoted back to their starting position, actually form case **12I**. In Fig. 12G the bottom of closed case **12I** is shown. In Fig. 12H the left side of closed case **12I** is shown. Fig 5I shows the right side view of closed case **12I**.

10 Fig. 13A shows the front view of case **12m**, which is preferably a flat case. Also shown, pivot point **20b** is preferably disposed on a lower end portion of case **12m**. In Fig. 13B an internal view of frame **10m** inside closed case **12m** is shown. Fig. 13C shows a front view of case **12m** with frame **10m** and file **38** pivotally connected to case **12m** via pivot point **20b**. In Fig. 13D frame **10m** is shown in an open position with respect to case **12m**. In this figure, case **12m** is disposed in a substantially right
15 angled position with respect to frame **10m**. As such, case **12m** can be used as a handle for the glasses of the present invention. In Fig. 13E a top view case **12m** is shown. As depicted therein, frame **10m** preferably fits within a recess disposed within case **12m**. Fig. 13F is the bottom view of closed case **12m**. Fig. 13G shows the left side view of closed case **12m** and Fig. 13H the right side view of closed case **12m**.

20 Fig. 14A shows the front of case **12n**, which is preferably substantially flat. Fig. 14B shows an internal view wherein frame **10n** is disposed within closed case **12n**. Fig. 14C shows an internal side view wherein earpiece **30** is disposed within leaf **26d**. When a plurality of leaves **26d** and **26d'** are folded together, as depicted in Figs. 5D and E, leaves **26d** and **26d'** thus form case **12n** (see Fig. 14A),
25 which protects frame **10n** from scratches and abrasions. Fig. 14D shows a top view of case **12n**. In this view, earpiece **30'** of frame **10n** is formed from, or fixedly secured within leaf **26d'**. Also depicted in this view, leaf **26d'** is folded to cover a top of frame **10n**. Frame **10n** is thus sandwiched between leaves **26d** and **26d'**. Right earpiece **30** of frame **10n** is preferably part of, or fixedly secured within leaf **26d**. This leaf is preferably foldable to cover a bottom of frame **10n**. In Fig. 14E right earpiece **30**,
30 incorporated within, or attached to leaf **26d**, is depicted in a position where it is partially flipped out from a top of frame **10n**. The lenses of frame **10n**, disposed between leaves **26d** and **26d'** are now exposed. Leaf **26d'** is then brought back to allow frame **10n** to be worn. As best depicted in Fig. 14F, which shows the fully opened position of frame **10n**, with both earpieces **30** and **30'** incorporated within their
35 respective leaves, file **40** preferably is fixedly attached to, or otherwise incorporated into one or both of leaves **26d** and **26d'**. One earpiece is preferably pivoted forward and the other is preferably pivoted

backward. This shows that frame **10n** can be worn with by a user, allowing the leaves to rest upon the user's ears. As previously described, it is preferable that leaves **26d** and **26d'**, when pivoted back to their starting position, actually form case **12n**. In Fig. 14G the bottom of closed case **12n** is shown. In Fig. 14H the left side of closed case **12n** is shown. Fig 5I shows the right side view of closed case **12n**.

5

Fig. 15A shows a schematic representation for a circuit which can be incorporated into one or more embodiments of the present invention, such that a single Light Emitting Diode (LED) can be illuminated in accordance with the above teachings. Fig. 15B shows a schematic representation for a circuit which can be incorporated into one or more embodiments of the present invention such that a plurality of LEDs can be illuminated in accordance with the above teachings. Fig. 15C shows a schematic representation for a circuit which can be incorporated into one or more embodiments of the present invention, such that a single illuminating lamp can be illuminated in accordance with the above teachings. Fig. 15D shows a schematic representation for a circuit which can be incorporated into one or more embodiments of the present invention such that a plurality of illuminating lamps can be illuminated in accordance with the above teachings.

10
15

Although the invention has been described in detail with particular reference to these preferred embodiments, other embodiments can achieve the same results. Variations and modifications of the present invention will be obvious to those skilled in the art and it is intended to cover in the appended claims all such modifications and equivalents. The entire disclosures of all references, applications, patents, and publications cited above and/or in the attachments, and of the corresponding application(s), are hereby incorporated by reference.

20

CLAIMS

What is claimed is:

- 5 1. A combination eyeglasses and case comprising:
 a frame comprising a plurality of lenses;
 a case for substantially enclosing said frame;
 a connection between said frame and said case for enabling said frame to
move relative to said case; and
10 an attachment mechanism.
2. The combination eyeglasses and case of claim 1 wherein said case comprises a file.
3. The combination eyeglasses and case of claim 2 wherein said file is integrated into a
15 surface area of said case.
4. The combination eyeglasses and case of claim 2 wherein said file is movably
positionable with respect to said case.
- 20 5. The combination eyeglasses and case of claim 1 wherein said connection comprises a
pivot and said frame is rotatable into and out of said case.
6. The combination eyeglasses and case of claim 1 wherein said connection comprises a
sliding mechanism and said frame is slideable into and out of said case.
25
7. The combination eyeglasses and case of claim 6 wherein said frame is rotatable with
respect to said case after sliding out of said case.
8. The combination eyeglasses and case of claim 1 wherein said frame further comprises
30 a protrusion for assisting in moving the frame with respect to said case.
9. The combination eyeglasses and case of claim 1 further comprising:
 a spring mechanism for at least partially ejecting said frame from said case;
and
35 a release mechanism for activating said spring mechanism.

10. The combination eyeglasses and case of claim 9 wherein said release mechanism is substantially axially aligned with a pivot point.

5 11. The combination eyeglasses and case of claim 9 wherein said release mechanism comprises a logo.

12. The combination eyeglasses and case of claim 1 further comprising a light emitting source.

10

13. The combination eyeglasses and case of claim 1 wherein said case comprises a shape approximately conforming to a shape of said frame.

14. The combination eyeglasses and case of claim 1 wherein said frame comprises a hinge
15 for folding said frame.

15. The combination eyeglasses and case of claim 14 wherein said case comprises a size and a shape approximately that of one of said lenses.

20 16. A combination eyeglasses and case comprising:
a frame comprising a plurality of lenses;
a case for substantially enclosing said frame;
a connection between said frame and said case for enabling said frame to
move relative to said case;
25 a spring mechanism for at least partially ejecting said frame from said case;
and
a release mechanism for activating said spring mechanism.

17. The combination eyeglasses and case of claim 16 wherein said release mechanism is
30 substantially axially aligned with said pivot point.

18. The combination eyeglasses and case of claim 16 wherein said release mechanism comprises a logo.

19. The combination eyeglasses and case of claim 16 further comprising an element selected from the group consisting of file, light emitting source, and attachment mechanism.

5 20. A combination eyeglasses and case comprising:
 a frame comprising a plurality of lenses; and
 one or more leaf members pivotally connected to said frame, said leaf
members sufficiently large to cover a majority of the surface area of said lenses.

10 21. The combination eyeglasses and case of claim 20 wherein each of said leaf members
comprises an earpiece.

 22. The combination eyeglasses and case of claim 20 wherein each of said leaf members
encloses an earpiece.

15 23. The combination eyeglasses and case of claim 22 wherein said leaf members are
removable from said earpieces.

 24. The combination eyeglasses and case of claim 20 further comprising an element
selected from the group consisting of file, light emitting source, and attachment mechanism.
20

 25. The combination eyeglasses and case of claim 24 wherein said file is incorporated into a
surface area of at least one leaf member.

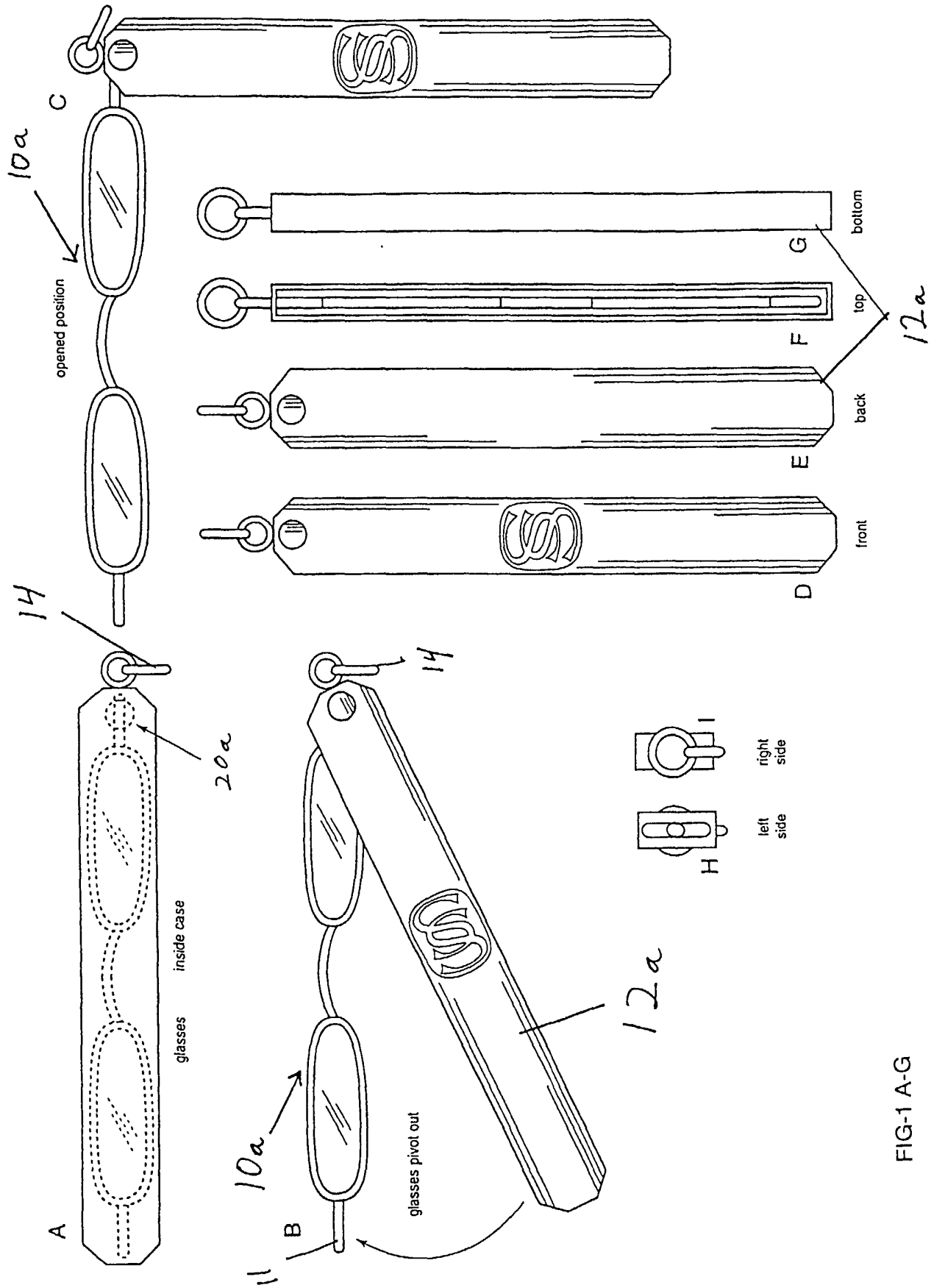


FIG-1 A-G

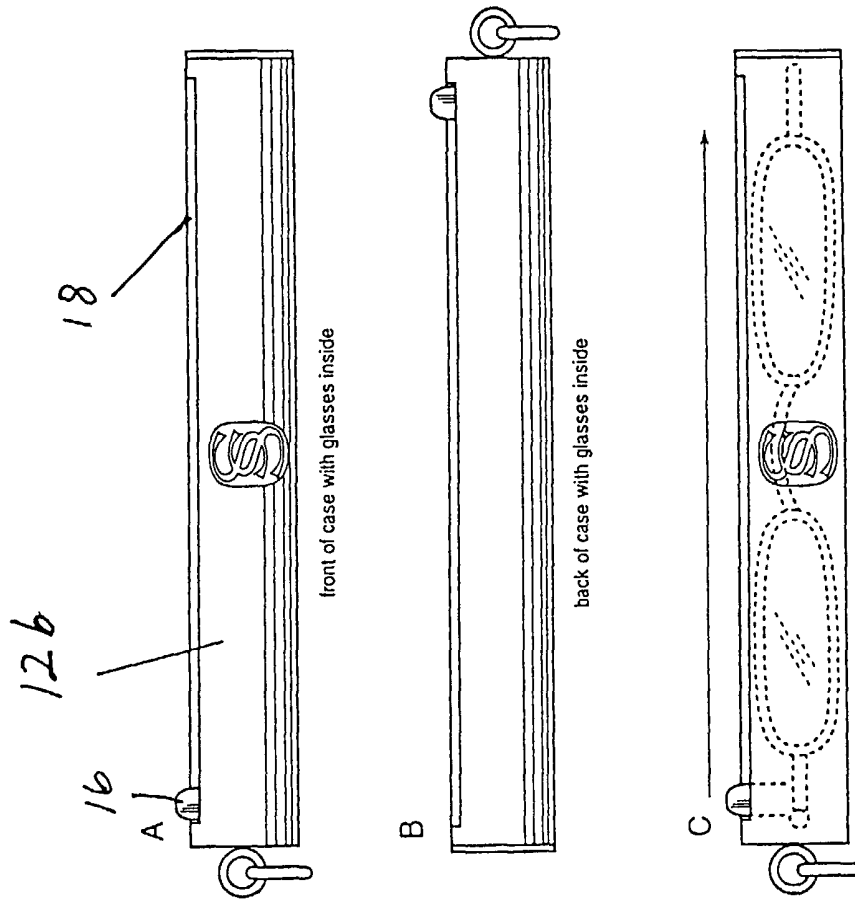


FIG-2 A-C

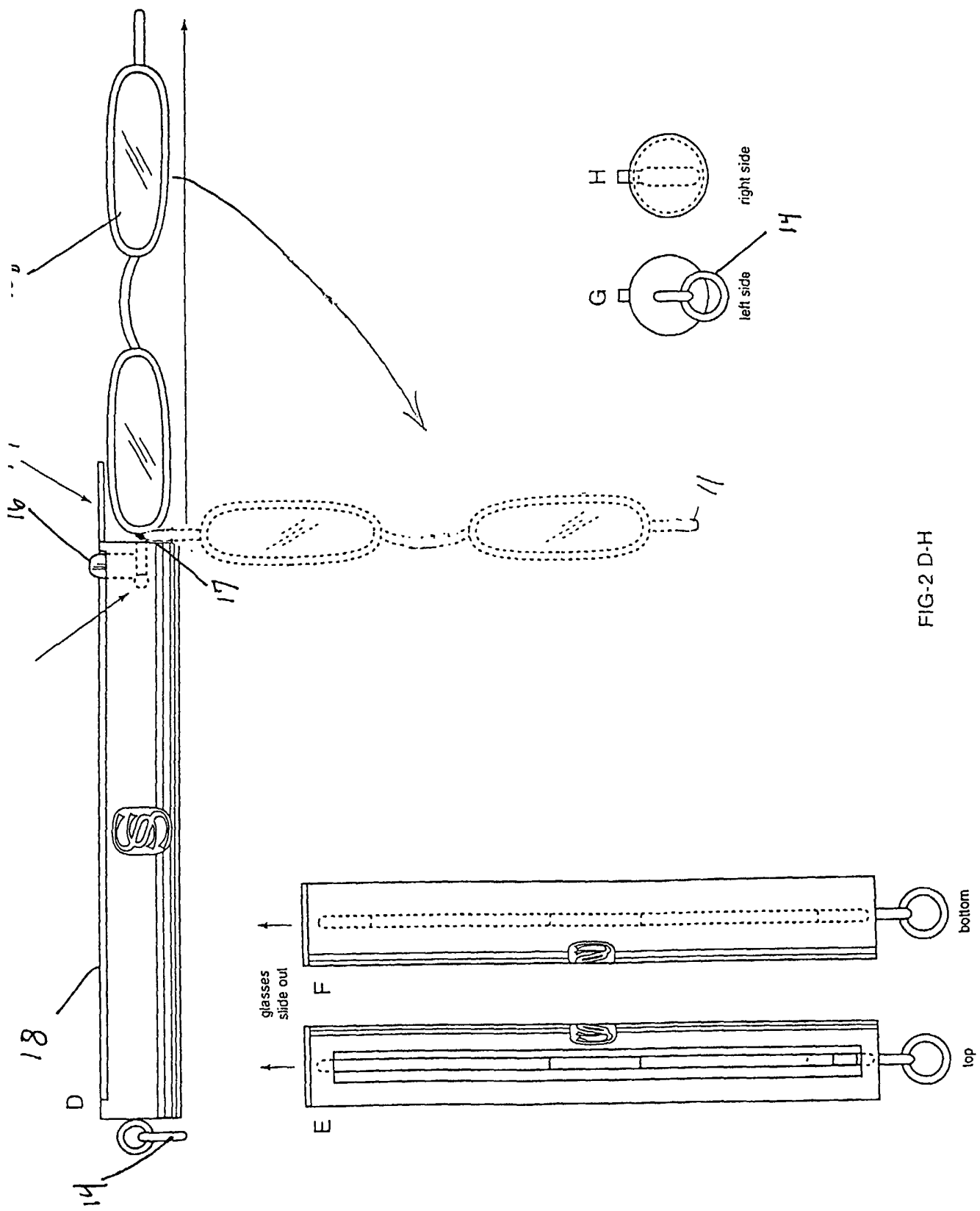


FIG-2 D-H

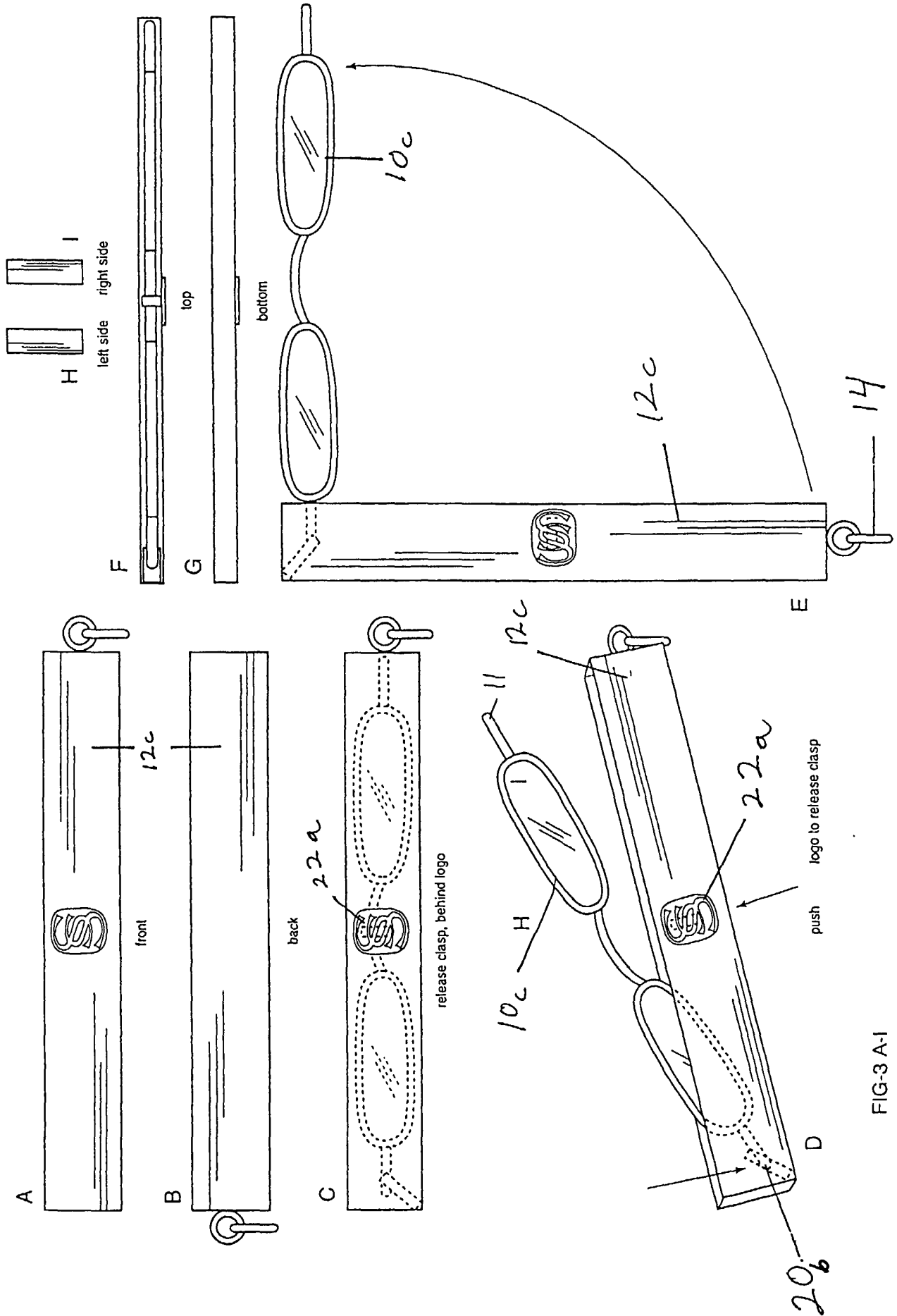


FIG-3 A-1

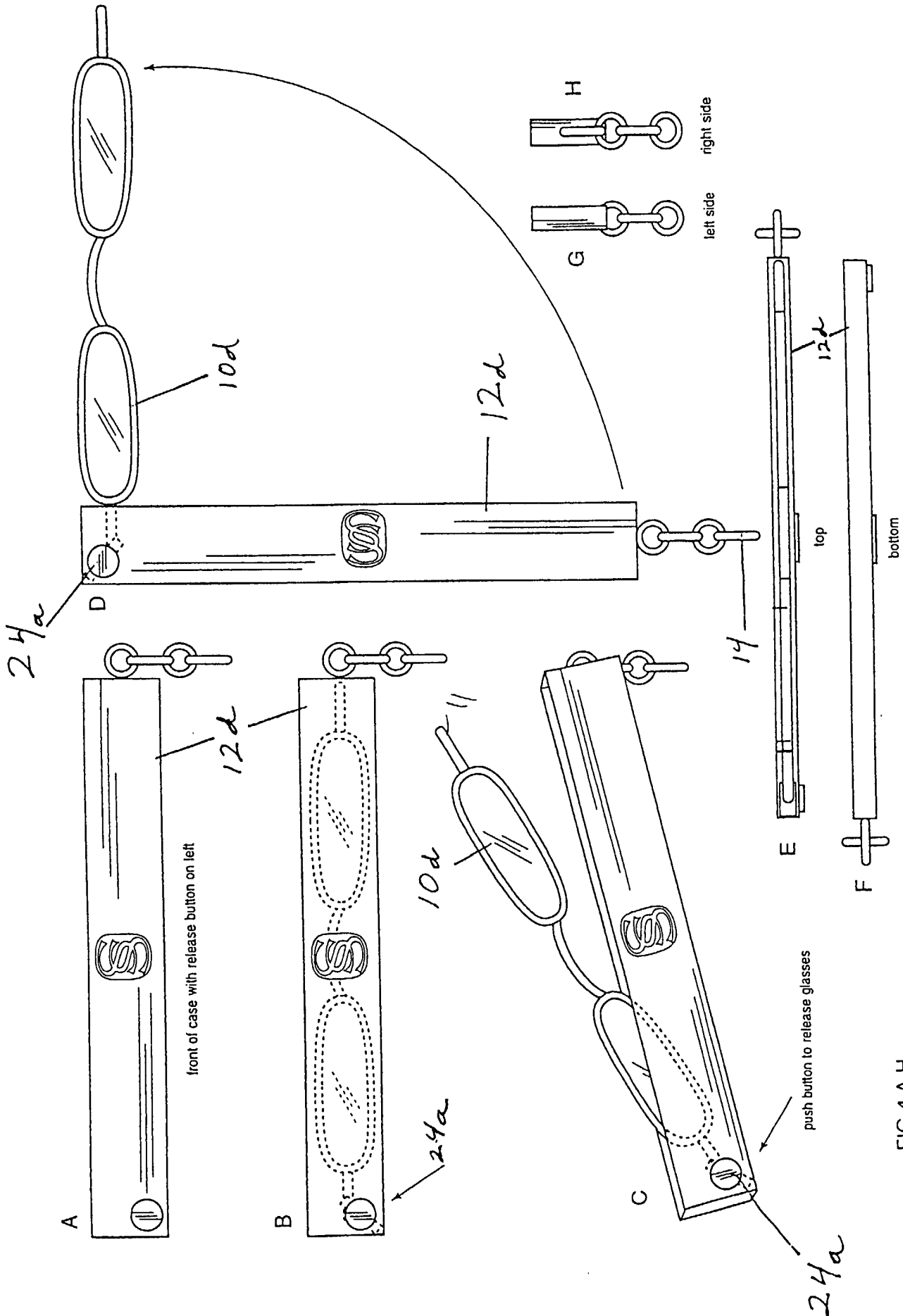


FIG-4 A-H

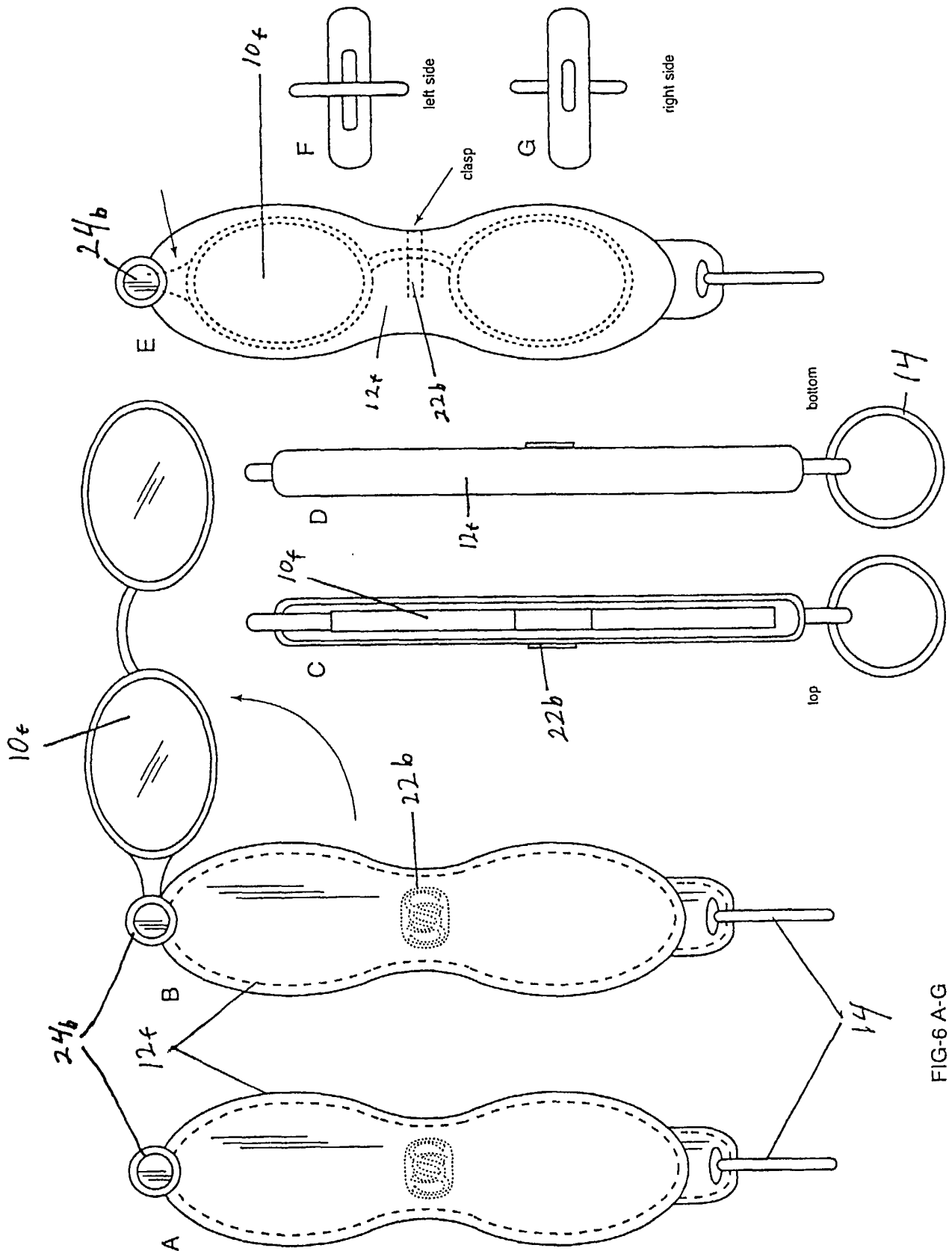


FIG-6 A-G

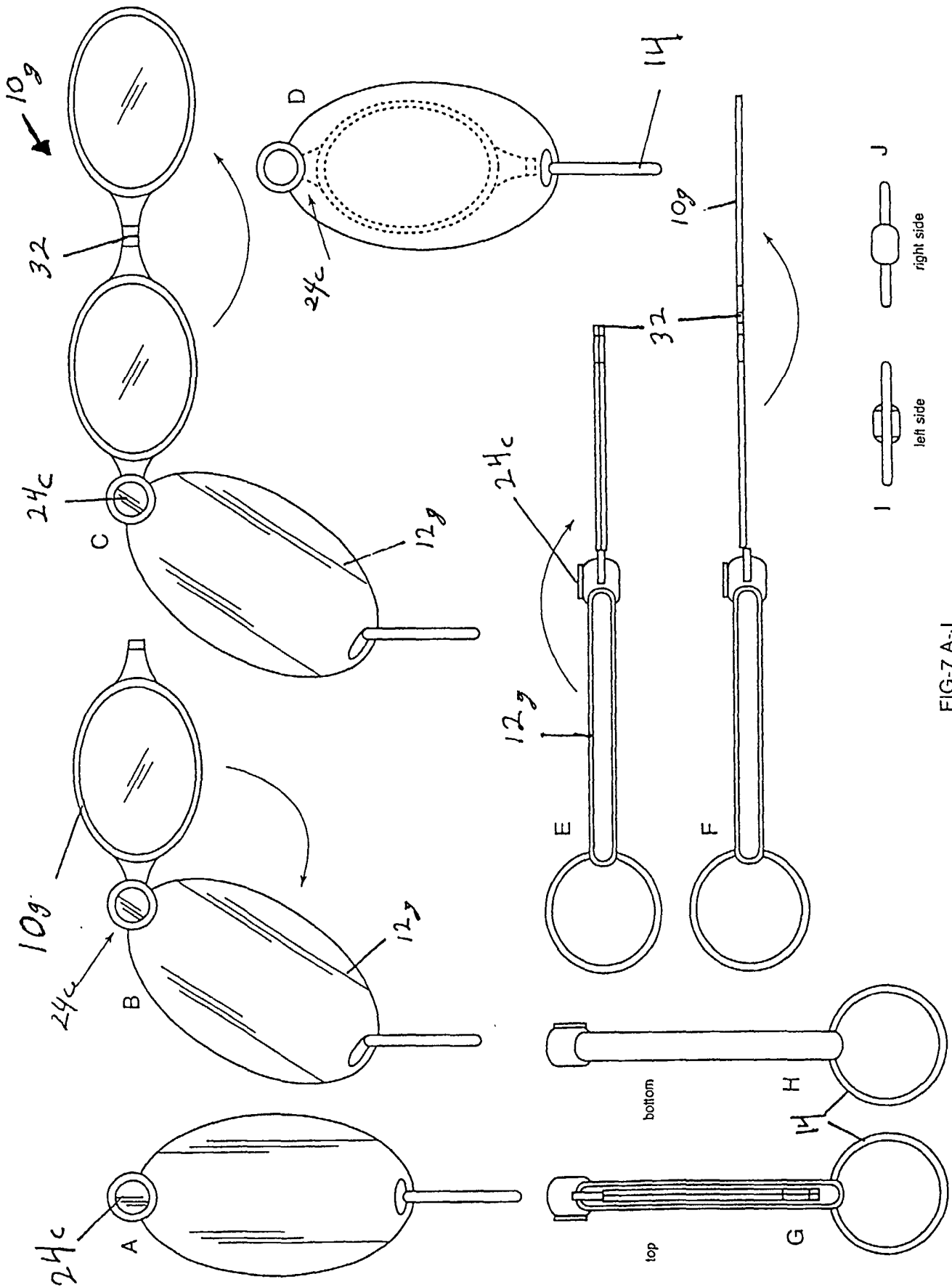


FIG-7 A-J

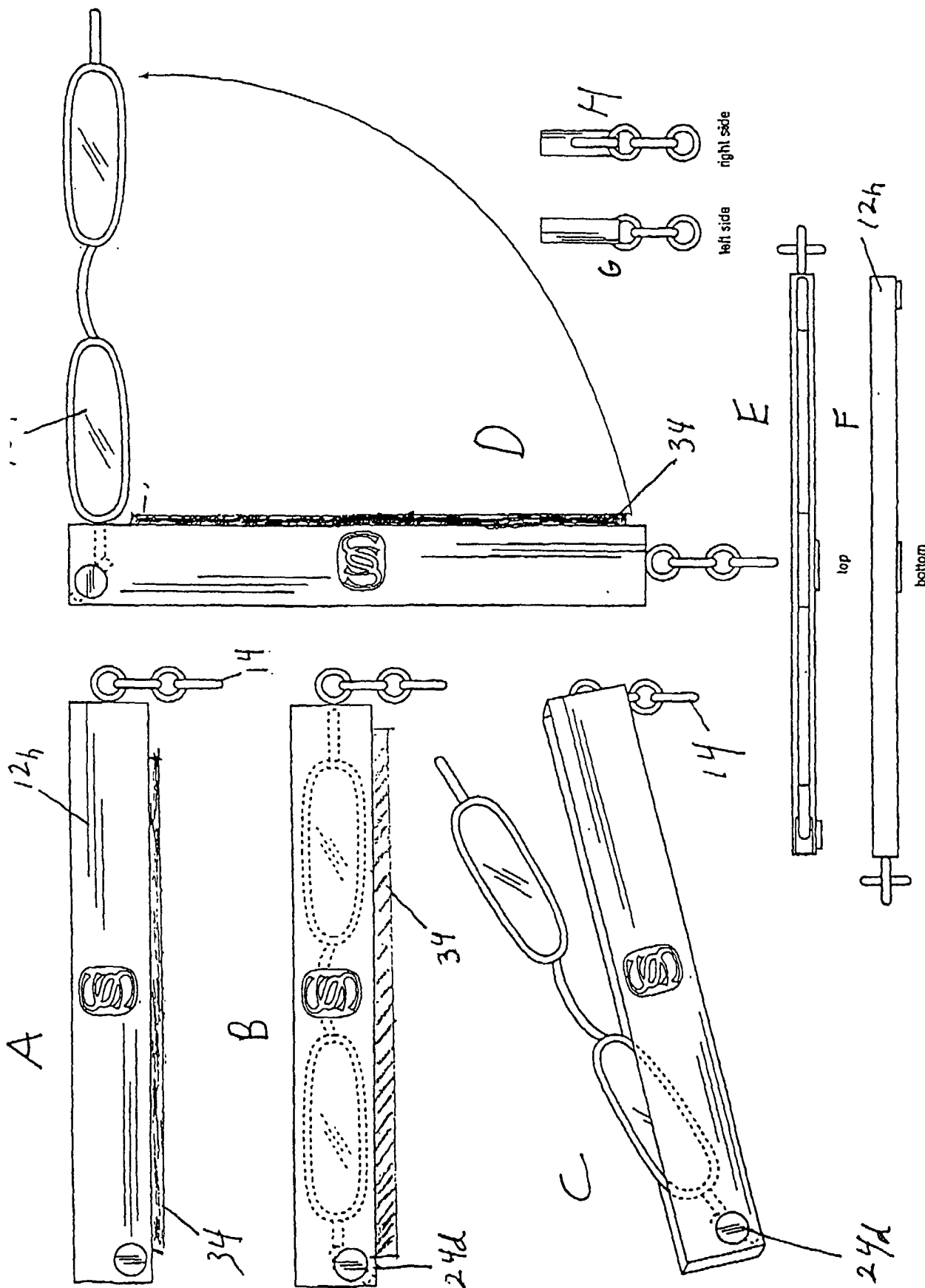


FIG-8 A-F

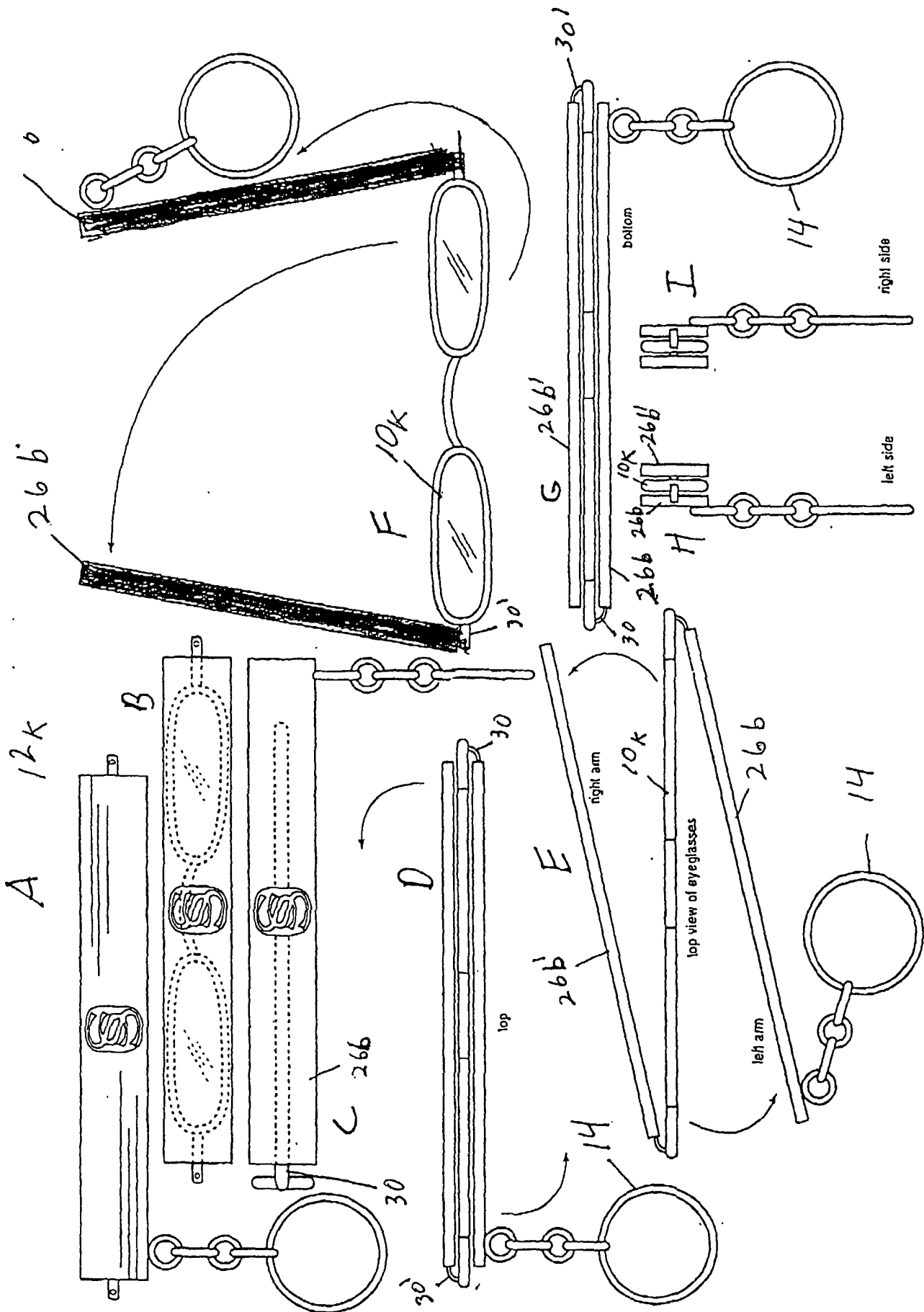


FIG-11 A-I

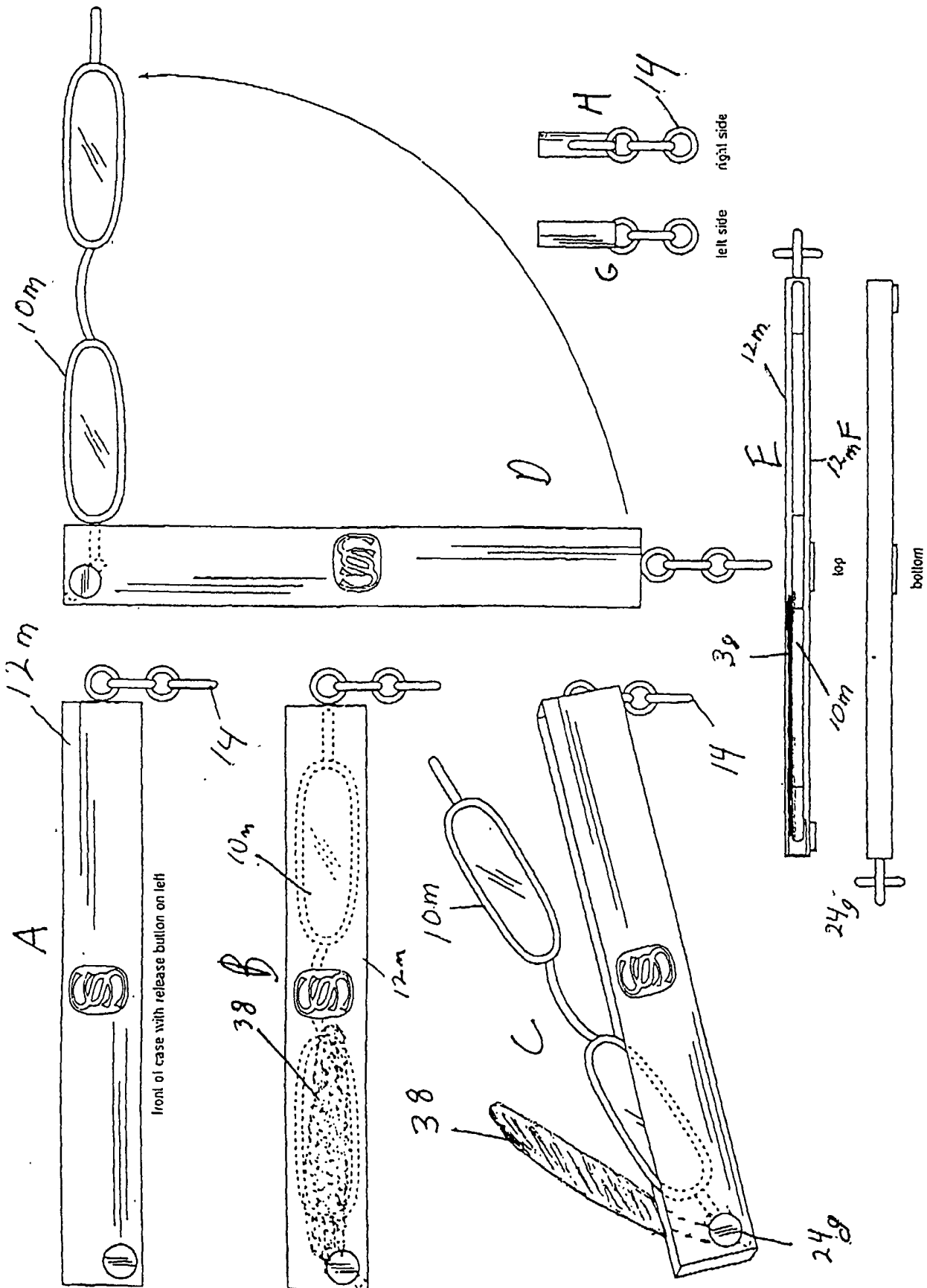


FIG 13 A-H

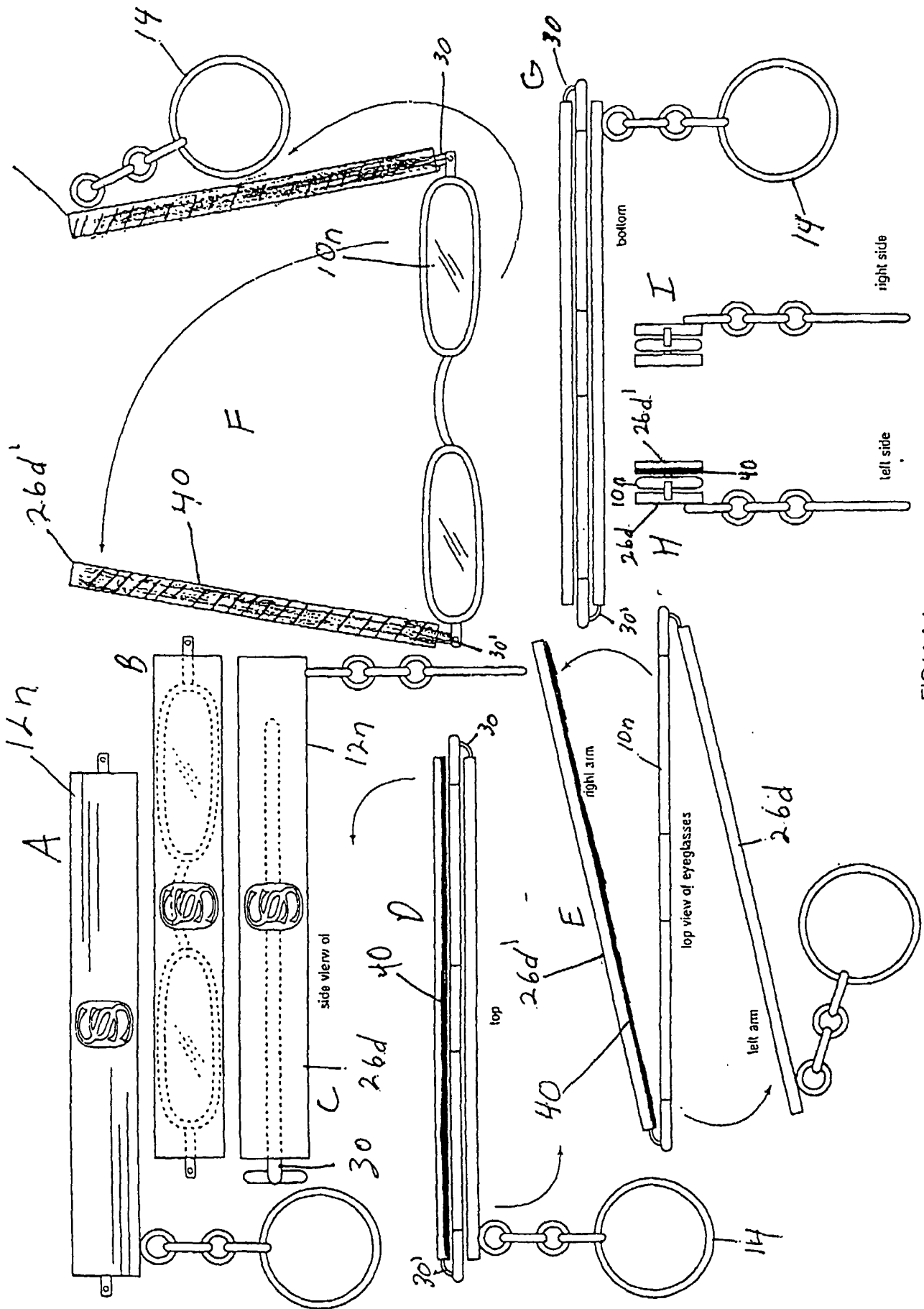


FIG14 A-I

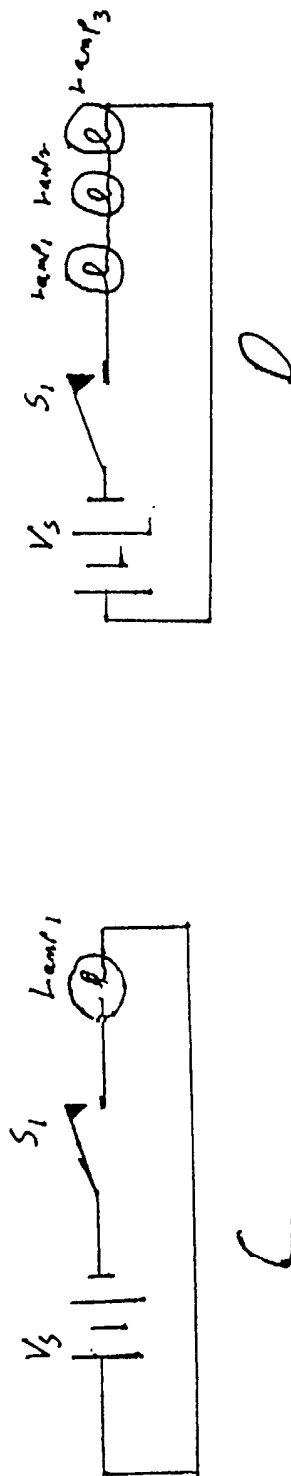
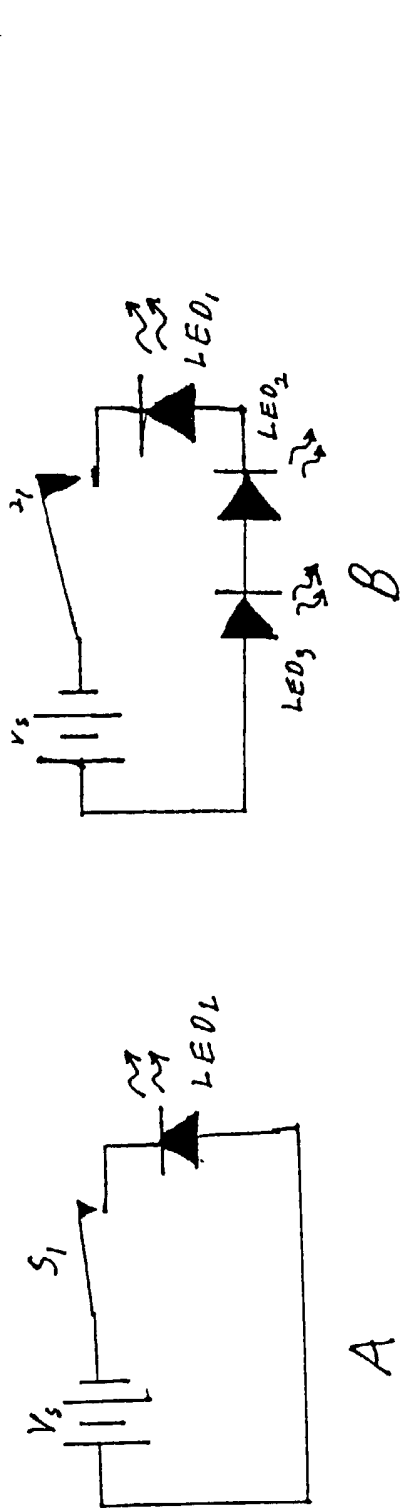


FIG-15 A-D