

(19) World Intellectual Property  
Organization  
International Bureau



(43) International Publication Date  
8 April 2004 (08.04.2004)

PCT

(10) International Publication Number  
**WO 2004/030332 A1**

(51) International Patent Classification<sup>7</sup>: **H04M 7/00**,  
1/253

(21) International Application Number:  
PCT/US2003/030766

(22) International Filing Date:  
29 September 2003 (29.09.2003)

(25) Filing Language: English

(26) Publication Language: English

(30) Priority Data:  
60/414,242 27 September 2002 (27.09.2002) US  
60/454,464 13 March 2003 (13.03.2003) US

(71) Applicant: **AXESSTEL, INC.** [US/US]; 6305 Lusk  
Boulevard, San Diego, CA 92121 (US).

(72) Inventors: **YUKIE, Satoru**; 6305 Lusk Boulevard, San  
Diego, CA 92121 (US). **KWON, Mike**; 6305 Lusk Boule-  
vard, San Diego, CA 92121 (US). **HAGOPIAN, Craig**,  
**M.**; 6305 Lusk Boulevard, San Diego, CA 92121 (US).  
**SHIRAI, Kazuhiko**; 6305 Lusk Boulevard, San Diego,  
CA 92121 (US).

(74) Agents: **WILLIAM, Frommer, S.** et al.; Frommer  
Lawrence & Haug LLP, 745 Fifth Avenue, New York, NY  
10151 (US).

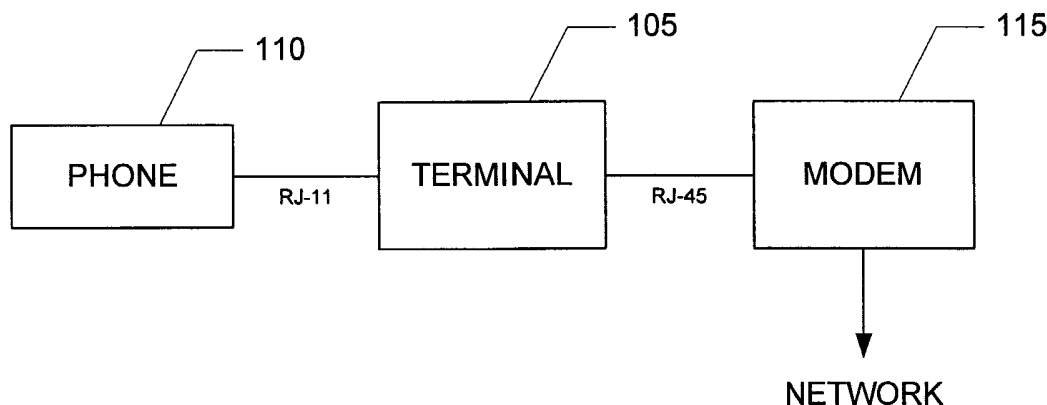
(81) Designated States (*national*): AE, AG, AL, AM, AT, AU,  
AZ, BA, BB, BG, BR, BY, BZ, CA, CH, CN, CO, CR, CU,  
CZ, DE, DK, DM, DZ, EC, EE, ES, FI, GB, GD, GE, GH,  
GM, HR, HU, ID, IL, IN, IS, JP, KE, KG, KP, KR, KZ, LC,  
LK, LR, LS, LT, LU, LV, MA, MD, MG, MK, MN, MW,  
MX, MZ, NI, NO, NZ, OM, PG, PH, PL, PT, RO, RU, SC,  
SD, SE, SG, SK, SL, SY, TJ, TM, TN, TR, TT, TZ, UA,  
UG, UZ, VC, VN, YU, ZA, ZM, ZW.

(84) Designated States (*regional*): ARIPO patent (GH, GM,  
KE, LS, MW, MZ, SD, SL, SZ, TZ, UG, ZM, ZW),  
Eurasian patent (AM, AZ, BY, KG, KZ, MD, RU, TJ, TM),  
European patent (AT, BE, BG, CH, CY, CZ, DE, DK, EE,  
ES, FI, FR, GB, GR, HU, IE, IT, LU, MC, NL, PT, RO,  
SE, SI, SK, TR), OAPI patent (BF, BJ, CF, CG, CI, CM,  
GA, GN, GQ, GW, ML, MR, NE, SN, TD, TG).

**Published:**  
— with international search report  
— before the expiration of the time limit for amending the  
claims and to be republished in the event of receipt of  
amendments

For two-letter codes and other abbreviations, refer to the "Guid-  
ance Notes on Codes and Abbreviations" appearing at the begin-  
ning of each regular issue of the PCT Gazette.

(54) Title: TELEPHONY TERMINAL PROVIDING CONNECTION BETWEEN A TELEPHONE AND A DATA NETWORK



(57) Abstract: Methods and apparatus implementing a telephony terminal for connecting a telephone to a data network. In one implementation, a telephony system includes: a phone connection for connecting to a telephone; a network connection for connecting to a network; and a controller connected to said phone connection and to said network connection; wherein said controller provides a phone service for processing information for said phone connection, said controller provides a network service for processing information for said network connection, and said controller provides a network voice service for converting information to and from a network voice format.

WO 2004/030332 A1

## TELEPHONY TERMINAL PROVIDING CONNECTION BETWEEN A TELEPHONE AND A DATA NETWORK

5

This application claims the benefit of U.S. Provisional Application No. 60/414,242, filed September 27, 2002, and of U.S. Provisional Application No. 60/454,464, filed March 13, 2003, the disclosures of which are incorporated herein by reference.

10

### BACKGROUND

A typical analog telephone system sends and receives voice information to and from the PSTN (public switched telephone network) using a POTS (plain old telephone service) connection. An alternative approach for sending voice information has been developed using IP networks, sometimes referred to as VoIP (voice over IP). One common way to use VoIP is to provide voice information to a computer system (e.g., using a microphone) connected to the Internet. In one approach, the computer system converts the analog voice information to a digital data and sends the digital data as IP packets across the Internet to a recipient.

Some wireless handsets (e.g., some cell phones) provide both voice and data services through their corresponding wireless networks. The wireless handset establishes a wireless connection to the wireless network for transferring information and data. The wireless network is typically in turn connected to the PSTN and to the Internet. In this way, a user conducts voice calls through the wireless network and also can access data services such as e-mail or web browsing through the same wireless network.

25

### SUMMARY

The present invention provides methods and apparatus implementing a telephony terminal for connecting a telephone to a data network. In one implementation, a telephony system includes: a phone connection for connecting to a telephone; a network connection for connecting to a network; and a controller connected to said phone connection and to said network connection; wherein said controller provides a phone service for processing information for said phone connection, said controller provides a network serv

30

processing information for said network connection, and said controller provides a network voice service for converting information to and from a network voice format.

In another implementation, a method of sending data to a network includes: receiving information through a phone connection at a terminal, wherein said information  
5 indicates a service; preparing intermediate information based on said information according to said indicated service; preparing network data based on said intermediate information according to a network protocol for a network connected to said terminal; and sending said network data to said network.

In another implementation, a method of processing data from a network includes:  
10 receiving information through a network connection at a terminal, wherein said network connection is connected to a network and said information indicates a service; preparing intermediate information based on said information according to said indicated service; preparing phone information based on said intermediate information according to a protocol for a telephone connected to said terminal; and sending said phone information to  
15 said telephone.

#### BRIEF DESCRIPTION OF THE DRAWINGS

Figure 1 shows a representation of one implementation of a telephony terminal connected to a telephone and a modem.

20 Figure 2 shows a block diagram of one implementation of a telephony terminal.

Figure 3 shows a block diagram of one implementation of a telephony terminal including a control connection for advanced services.

Figure 4 is a flow chart of one implementation of sending information from a telephone to a modem through a telephony terminal.

25 Figure 5 shows a flow chart of one implementation of sending data from a modem to a telephone through a telephony terminal.

Figure 6 shows a representation of one implementation of a telephony terminal connected to a telephone and a base station.

30 Figure 7 shows a block diagram of one implementation of a terminal including a radio interface and an antenna.

Figure 8 shows a block diagram of one implementation of the terminal including a radio interface and antenna and supporting advanced services.

Figure 9 shows a flow chart of one implementation of sending data from a phone to a data network through a telephony terminal and a wireless connection.

Figure 10 shows a flow chart of one implementation of sending data from a base station to a telephone through a telephony terminal and a wireless connection.

Figure 11 shows a representation of one implementation of a telephony terminal connected to a telephone, a computer system, and a modem.

5 Figure 12 shows a representation of one implementation of a telephony terminal connected to a telephone, a computer system, and a base station.

Figure 13 shows a representation of one implementation of a telephony services terminal connected to a wireless terminal, a telephone, a computer system, and a base station.

10

#### DETAILED DESCRIPTION

The present invention provides methods and apparatus implementing a telephony terminal for connecting a telephone to a data network. In one implementation, the terminal is connected to a typical analog telephone and is connected to a broadband modem. The  
15 broadband modem is in turn connected to a data network, such as the Internet. The terminal provides an interface between the telephone and the broadband modem so that the telephone can send and receive voice information through the data network and can access data services through the data network. In another implementation, the terminal is connected to the data network through a wireless connection.

20

Two illustrative examples of implementations are described below. Additional variations are described after these examples.

In one example of one implementation, a terminal is connected to a telephone, a laptop computer, and a wireless network. The telephone is a typical analog DTMF (dial  
25 tone multiple frequency) phone. The terminal is connected to the telephone through a USB port of the terminal, a USB/RJ-11 converter box, and an RJ-11 connection of the telephone. The USB/RJ-11 converter box supports PC to PC, PC to phone, and phone to PC dialing capabilities. The terminal is connected to the laptop computer through a second USB port of the terminal and a USB port of the laptop computer. The terminal includes a  
30 wireless modem, radio interface, and antenna for communicating with the wireless network, such as through a CDMA 1xEV-DV air interface.

When a user places a call through the telephone, the telephone passes voice information to the terminal through the USB/RJ-11 converter box. The terminal processes the voice information to generate a signal carrying the voice information. The signal is

compatible with the wireless network and the terminal sends the signal to the wireless network through the wireless connection. The wireless network passes the information to the PSTN. The PSTN routes the voice signal to the recipient. In this way, the user places a call through the wireless network using a typical analog telephone and an RJ-11  
5 connection. The terminal provides the processing to complete a full duplex call.

When the user sends data through the laptop computer, the laptop computer passes the data to the terminal through the USB connection. The terminal processes the data to generate appropriate IP data. The terminal generates a signal compatible with the wireless network and sends the data to the wireless network. The wireless network passes the data  
10 to the Internet. The Internet routes the data to the recipient. In this way, the user sends data through the wireless network using a laptop and a USB connection.

In this example, a wireless carrier can provide the terminal to consumers. The consumer can connect a typical phone and laptop or other computer to the terminal. Through the functionality of the terminal, the consumer can access high-speed data  
15 connection services and also access voice communications services through the wireless network.

In another example of one implementation, a terminal is connected to a cordless telephone base unit and a broadband modem. The terminal is connected to the cordless telephone base unit through an RJ-11 connection of the terminal and an RJ-11 connection  
20 of the base unit. The terminal is connected to the broadband modem through an RJ-45 connection of the terminal and an RJ-45 connection of the modem.

When a user places a call through the telephone, the cordless handset passes voice information to the base unit and the base unit passes the voice information to the terminal through the RJ-11 connection. The terminal processes the voice information using a VoIP  
25 application to generate IP data carrying the voice information. The terminal sends the data to the broadband modem. The modem passes the data to the Internet. The Internet routes the data to a VoIP gateway. The gateway converts the data to a voice signal and passes the voice signal to the PSTN. The PSTN routes the voice signal to the recipient. In this way, the user places a call through the Internet using a typical cordless phone and an RJ-11  
30 connection.

Figure 1 shows a representation of one implementation of a telephony terminal 105 connected to a telephone 110 and a modem 115. The terminal 105 is connected to the telephone 110 through an RJ-11 connection. In another implementation, the terminal is

connected to the telephone through a different type of connection. For example, in one implementation, the terminal is connected to the telephone through a USB connection of the terminal, a USB/RJ-11 converter, and an RJ-11 connection of the telephone. In another implementation, the terminal is also connected to the telephone through an additional  
5 control line.

The telephone 110 is a typical analog telephone. In another implementation, the telephone is a typical cordless telephone or a digital phone. In another implementation, the telephone is a wireless handset with a wireless connection to a base unit connected to the terminal. In another implementation, the telephone is integrated within the terminal (e.g.,  
10 the base unit of a cordless telephone is integrated within the terminal and communicates with a cordless handset). In an alternative implementation, instead of or in addition to the telephone, the terminal is connected to a computer system.

The terminal 105 is connected to the modem 115 through an RJ-45 connection. In another implementation, the terminal is connected to the modem through a different type of  
15 connection, such as a USB connection. In another implementation, the terminal provides a wireless connection to either or both of the telephone and the modem, such as through a wireless LAN (or Wi-Fi) connection.

The modem 115 is a typical broadband modem, such as a DSL or cable modem. The modem 115 is connected to a data network (directly or through appropriate  
20 intervening networks), such as the Internet or a private data network (e.g., a corporate intranet). In another implementation, the modem is an analog modem connected to the PSTN. In another implementation, the modem is integrated within the terminal and the terminal is connected directly to the data network.

Figure 2 shows a block diagram of one implementation of a telephony terminal  
25 200, such as the terminal 105 shown in Figure 1. The terminal 200 includes a controller 205 and connected memory 210. The terminal 200 includes an RJ-11 connection 215 connected to the controller 205 and an RJ-45 connection 220 connected to the controller 205. In another implementation, either or both of the RJ-11 connection and the RJ-45 connection are replaced with different types of connections, such as a USB connection,  
30 IEEE 802.3 Ethernet, IEEE 1394, or a personal wireless connection (e.g., Bluetooth) among others. The terminal 200 also includes a user interface 225 connected to the controller 205 (e.g., including a keypad and a display). The terminal 200 includes a power source 230 (the connections between the power source 230 and the other components of the terminal 200 are omitted for clarity).

The controller 205 controls the operation of the terminal 200 and provides applications supporting the functionality and services of the terminal 200. In Figure 2, three services provided by the controller 205 are represented by rounded boxes shown within the controller 205, including: a VoIP service 235, a PSTN service 240, and a  
5 broadband service 245. The VoIP service 235 supports VoIP, such as by converting a voice signal to voice data stored in one or more IP packets (including appropriate routing information) and converting one or more IP packets storing voice data to a voice signal. The PSTN service 240 provides a PSTN driver for processing information received from and to be sent to a telephone (e.g., the telephone 110 in Figure 1) connected to the RJ-11  
10 connection 215. The broadband service 245 provides a broadband driver for processing data received from and to be sent to a broadband modem (e.g., the modem 115 in Figure 1) connected to the RJ-45 connection 220.

Figure 3 shows a block diagram of one implementation of a telephony terminal 300 including a control connection for advanced services. Similar to the terminal 200 shown in  
15 Figure 2, the terminal 300 includes a controller 305 and connected memory 310, an RJ-11 connection 315, an RJ-45 connection 320, a user interface 325, and a power source 330. The terminal 300 also includes a control connection 335 for sending and receiving control signals to a telephone connected to the RJ-11 connection 315 and the control connection 335. The terminal 300 uses the control signals for providing advanced services through the  
20 controller 305.

Similar to the controller 205 shown in Figure 2, the controller 305 controls the operation of the terminal 300 and provides applications supporting the functionality and services of the terminal 300. In Figure 3, five services provided by the controller 305 are represented by rounded boxes shown within the controller 305, including: a VoIP service  
25 340, a browser service 345, an e-mail service 350, a PSTN service 355, and a broadband service 360. The basic services of the VoIP service 340, PSTN service 355, and broadband service 360 are similar to the corresponding services of the controller 205, as described above.

The controller 305 provides advanced services supported by the connected  
30 telephone. The controller 305 uses control signals received and sent through the control connection 335. Advanced services supported by some phones (e.g., some advanced cellular/PCS phones) sometimes employ higher layer protocol stacks that are different from standard data network protocols, such as the Internet protocols often utilized for broadband services. For example, some data services supported by some phones operate

differently on the phone in comparison to a similar data service operating on a standard desktop computer system. Accordingly, the controller 305 provides advanced services to provide run-time translations between different but functionally similar protocol stacks or to act as gateway nodes for different services. In Figure 3, the advanced services include the browser service 345 and the e-mail service 350. The browser service 345 provides a browser translator to support an interface between the protocol of the browser software of a connected telephone and the browser protocol of the data network. The e-mail service 350 provides an e-mail gateway to support an interface between the e-mail service of the connected telephone and the e-mail service of the data network. In other implementations, additional or different services are supported (where the terminal includes appropriate additional hardware to support the additional services), such as G3 fax conversions, voicemail boxes and TAD aggregation, cellular/PCS terminal provisioning, PIM information management, handset data backup, or precision differential GPS positioning.

Figure 4 is a flow chart 400 of one implementation of sending information from a telephone to a modem through a telephony terminal. Initially, a terminal is connected to a telephone (e.g., through an RJ-11 connection) and to a modem (e.g., through an RJ-45 connection), such as in the configuration shown in Figure 1. The telephone sends information to the terminal, block 405. The information indicates a service to be provided by the terminal and the information reflects the requested service. For example, for a voice service, such as VoIP, the telephone sends voice information to the terminal including header information indicating the requested voice service. For a data service, such as a request to access a website through a browser, the telephone sends data to the terminal including header information indicating the requested data service. In an implementation supporting advanced services, the telephone sends additional control information to the terminal through a control connection. In another implementation, the terminal is connected to the phone through a USB/RJ-11 converter. In this case, the USB/RJ-11 converter converts the information sent from the RJ-11 connection of the telephone to data according to the USB protocol and sends the data to the USB connection of the terminal.

The terminal prepares the information from the telephone according to the requested service, block 410. The terminal uses an appropriate service to prepare the information (e.g., using one of the services shown in Figure 2 or Figure 3). For example, for VoIP service, the terminal converts the voice information to digital data and stores the digital voice data in IP packets with appropriate routing data. The terminal prepares the resulting information for transmission to the modem, block 415. In one implementation



the modem is a broadband modem and the terminal uses a broadband service to prepare the information for the broadband modem.

The terminal sends the information to the connected modem, block 420. The modem processes the received information and sends the information to a connected data  
5 network, such as the Internet.

In another implementation, a computer system is connected to the terminal instead of or in addition to a telephone. The computer system sends data to the modem in a similar way to that described above referring to Figure 4. If the data provided by the computer system to the terminal is already in an appropriate format for the requested service, the  
10 terminal does not adjust the received data (skipping block 410).

Figure 5 shows a flow chart 500 of one implementation of sending data from a modem to a telephone through a telephony terminal. Initially, the terminal is connected to a telephone (e.g., through an RJ-11 connection) and to a modem (e.g., through an RJ-45 connection), such as in the configuration shown in Figure 1. The modem sends  
15 information to the terminal, block 505. The information indicates a service to be provided by the terminal and the information reflects the requested service. For example, for a voice service, such as VoIP, the modem sends voice information to the terminal including header information indicating the requested voice service (e.g., as IP packets). For a data service, such as returning data from a website for a browser, the modem sends data to the terminal  
20 including header information indicating the requested data service.

The terminal prepares the information from the modem according to the requested service, block 510. The terminal uses an appropriate service to prepare the information (e.g., using one of the services shown in Figure 2 or Figure 3). For example, for VoIP service, the terminal converts voice data in packets to voice information for the telephone.  
25 The terminal prepares the resulting information for transmission to the telephone, block 515. In one implementation, the telephone is a PSTN-compatible telephone and the terminal uses a PSTN service to prepare a signal carrying the information for the telephone.

In an implementation supporting advanced services, the terminal sends additional  
30 control information to the telephone through a control connection. In another implementation, the terminal is connected to the phone through a USB/RJ-11 converter. In this case, the USB/RJ-11 converter converts the information sent from the USB connection of the terminal to a signal according to the protocol of the telephone connection and sends the signal to the telephone.

The terminal sends the information to the connected telephone, block 520. The telephone processes the received information according to the requested service. For voice, the telephone provides the voice as audio output to a user of the telephone. For data, the telephone presents the data to the user through the user interface of the telephone (e.g.,  
5 through a speaker or display).

In another implementation, a computer system is connected to the terminal instead of or in addition to a telephone. The computer system receives data from the modem in a similar way to that described above referring to Figure 5. If the data provided by the modem to the terminal is already in an appropriate format for the requested service, the  
10 terminal does not adjust the received data (skipping block 510).

Figure 6 shows a representation of one implementation of a telephony terminal 605 connected to a telephone 610 and a base station 615. The terminal 605 is connected to the telephone 610 through an RJ-11 connection. In another implementation, the terminal is connected to the telephone through a different type of connection. For example, in one  
15 implementation, the terminal is connected to the telephone through a USB connection of the terminal, a USB/RJ-11 converter, and an RJ-11 connection of the telephone. In another implementation, the telephone is connected to the terminal through a wireless connection. In another implementation, the terminal is also connected to the telephone through an additional control line.

The telephone 610 is a typical analog telephone. In another implementation, the telephone is a typical cordless telephone. In another implementation, the telephone is a wireless handset with a wireless connection to a base unit connected to the terminal. In another implementation, the telephone is integrated within the terminal (e.g., the base unit  
20 of a cordless telephone is integrated within the terminal and communicates with a cordless handset). In an alternative implementation, instead of or in addition to the telephone, the terminal is connected to a computer system.

The terminal 605 is connected to the base station 615 through a wireless connection. In one implementation, the wireless connection is a wide-area wireless connection such as a cellular or PCS connection. For example, the wireless connection can  
30 be a CDMA, GSM, or TDMA connection, or a wireless LAN (or Wi-Fi) connection, among others. In another implementation, the wireless connection is a local wireless connection.

The base station 615 is a typical wireless base station. The base station 615 is connected to a wireless network. The wireless network provides a data network or is

connected to a data network, such as the Internet or a private data network (e.g., a corporate intranet). In one implementation, the wireless network is also connected to the PSTN. In another implementation, the terminal is connected directly to the PSTN.

Figure 7 shows a block diagram of one implementation of a terminal 700 including a radio interface and an antenna. The terminal 700 is similar to the terminal 200 shown in Figure 2, and similar components operate in a similar way. Accordingly, the terminal 700 includes a controller 705 and connected memory 710, an RJ-11 connection 715, a user interface 725, and a power source 730. The controller 705 provides a VoIP service 735 and a PSTN service 740. In an alternative implementation, the controller also provides a broadband service and the terminal includes an RJ-45 connection similar to the terminal 200.

The terminal 700 supports a wireless connection to a base station (e.g. the base station 615 shown in Figure 6) through a wireless modem service 750 of the controller 705, a radio interface 755 connected to the controller 705, and an antenna 760 connected to the radio interface 755. The wireless modem service 750, radio interface 755, and antenna 760, are configured to support the air interface of the wireless connection. The wireless modem service 750 provides support for sending and receiving signals through a wireless air interface, such as a CDMA interface. In one implementation, the wireless modem service is a hardware subsystem of the controller or alternatively is a separate subsystem or component of the terminal connected to the controller. In one implementation, the radio interface 755 is a typical radio interface supporting the air interface of the wireless modem service 750 and includes: radio frequency (RF) components, a duplexer, a low noise amplifier (LNA), a bandpass filter (BPF), an isolator, and a power amplifier. The radio interface 755 operates similarly to typical radio interfaces in wireless handsets or terminals supporting the air interface of the wireless modem service 750. For sending signals, the wireless modem service 750 provides modulated signals to the radio interface 755 and on to the antenna 760. For receiving signals, the antenna 760 provides a signal received from the wireless connection to the radio interface 755 and on to the wireless modem service 750.

In another implementation, the terminal provides a wireless voice service. In this case, the terminal provides voice information from a connected telephone to the wireless network, such as to be passed to the PSTN. This wireless voice service is similar to a fixed wireless service provided by a wireless local loop terminal.

Figure 8 shows a block diagram of one implementation of the terminal 800 including a radio interface and antenna and supporting advanced services. The terminal 800 is similar to the terminal 700 shown in Figure 7 and the terminal 300 shown in Figure 3, and similar components operate in a similar way. Accordingly, the terminal 800 includes a controller 805 and connected memory 810, an RJ-11 connection 815, a user interface 825, a power source 830, and a control connection 835. The controller 805 provides a VoIP service 840, a browser service 845, an e-mail service 850, a PSTN service 855, and a wireless modem service 870. The terminal 800 also includes a radio interface 875 connected to the controller 805 and an antenna 880 connected to the radio interface 875. In an alternative implementation, the controller also provides a broadband service and the terminal includes an RJ-45 connection similar to the terminal 300.

The terminal 800 supports a wireless connection in a similar way to the terminal 700, as described above. The terminal 800 supports advanced services in a similar way to the terminal 300, as described above.

Figure 9 shows a flow chart 900 of one implementation of sending data from a phone to a data network through a telephony terminal and a wireless connection. Initially, a terminal is connected to a telephone (e.g., through an RJ-11 connection) and to a base station through a wireless connection (e.g., through a CDMA connection), such as in the configuration shown in Figure 6. The telephone sends information to the terminal, block 905. The information indicates a service to be provided by the terminal and the information reflects the requested service. For example, for a voice service, such as VoIP, the telephone sends voice information to the terminal including header information indicating the requested voice service. For a data service, such as a request to access a website through a browser, the telephone sends data to the terminal including header information indicating the requested data service. In an implementation supporting advanced services, the telephone sends additional control information to the terminal through a control connection. In another implementation, the terminal is connected to the phone through a USB/RJ-11 converter. In this case, the USB/RJ-11 converter converts the information sent from the RJ-11 connection of the telephone to data according to the USB protocol and sends the data to the USB connection of the terminal.

The terminal prepares the information from the telephone according to the requested service, block 910. The terminal uses an appropriate service to prepare the information (e.g., using one of the services shown in Figure 7 or Figure 8). For example, for VoIP service, the terminal converts the voice information to digital data and stores the

digital voice data in IP packets with appropriate routing data. The terminal prepares the resulting information for transmission to the base station, block 915. The terminal uses the wireless modem service of the controller to prepare the information according to the air interface of the wireless modem service.

5           The terminal sends the information to the base station through the wireless connection, block 920. The base station processes the received information and sends the information to the wireless network and on to a connected data network, such as the Internet.

10           In another implementation, a computer system is connected to the terminal instead of or in addition to a telephone. The computer system sends data to the modem in a similar way to that described above referring to Figure 9. If the data provided by the computer system to the terminal is already in an appropriate format for the requested service, the terminal does not adjust the received data (skipping block 910).

15           Figure 10 shows a flow chart 1000 of one implementation of sending data from a base station to a telephone through a telephony terminal and a wireless connection. Initially, the terminal is connected to a telephone (e.g., through an RJ-11 connection) and to a base station through a wireless connection, such as in the configuration shown in Figure 6. The base station sends information to the terminal, block 1005. The information indicates a service to be provided by the terminal and the information reflects the requested service. For example, for a voice service, such as VoIP, the base station sends voice information to the terminal including header information indicating the requested voice (e.g., as IP packets in a wireless signal). For a data service, such as returning data from a website for a browser, the base station sends data to the terminal including header information indicating the requested data service. The terminal receives the signal from the base station and extracts the information from the signal, block 1010. The terminal uses the wireless modem service of the controller to process and extract the information according to the air interface of the wireless modem service.

25           The terminal prepares the information from the base station according to the requested service, block 1015. The terminal uses an appropriate service to prepare the information (e.g., using one of the services shown in Figure 7 or Figure 8). For example, for VoIP service, the terminal converts voice data to voice information for the telephone. The terminal prepares the resulting information for transmission to the telephone, block 1020. In one implementation, the telephone is a PSTN-compatible telephone and the

terminal uses a PSTN service to prepare a signal carrying the information for the telephone.

The terminal sends the information to the connected telephone, block 1025. The telephone processes the received information according to the requested service. For voice, the telephone provides the voice as audio output to a user of the telephone. For data, the telephone presents the data to the user through the user interface of the telephone (e.g., a speaker or display).

In an implementation supporting advanced services, the terminal sends additional control information to the telephone through a control connection. In another implementation, the terminal is connected to the phone through a USB/RJ-11 converter. In this case, the USB/RJ-11 converter converts the information sent from the USB connection of the terminal to a signal according to the protocol of the telephone connection and sends the signal to the telephone.

In another implementation, a computer system is connected to the terminal instead of or in addition to a telephone. The computer system receives data from the base station with in a similar way to that described above referring to Figure 10. If the data provided by the modem to the terminal is already in an appropriate format for the requested service, the terminal does not adjust the received data (skipping block 1015).

Figure 11 shows a representation of one implementation of a telephony terminal 1105 connected to a telephone 1110, a computer system 1115, and a modem 1120. The terminal 1105 is connected to the telephone 1110 through a USB connection of the terminal 1105, a USB/RJ-11 converter 1112, and an RJ-11 connection of the telephone 1110. In another implementation, the terminal is connected to the telephone through a different type of connection. For example, in one implementation, the terminal is connected to the telephone through an RJ-11 connection. In another implementation, the terminal is also connected to the telephone through an additional control line.

The telephone 1110 is a typical analog telephone. In another implementation, the telephone is a typical cordless telephone. In another implementation, the telephone is a wireless handset with a wireless connection to a base unit connected to the terminal. In another implementation, the telephone is integrated within the terminal (e.g., the base unit of a cordless telephone is integrated within the terminal and communicates with a cordless handset).

The terminal 1105 is connected to the computer system 1115 through a USB connection. In another implementation, the terminal is connected to the computer system through a different type of connection, such as an RJ-45 connection.

5 The computer system 1115 is a typical desktop or laptop computer. In another implementation, the computer system is a device including a programmable processor and related components for providing the functionality of a computer system, such as a PDA or a consumer electronics device. In another implementation, the computer system is integrated within the terminal.

10 The terminal 1105 is connected to the modem 1120 through an RJ-45 connection. In another implementation, the terminal is connected to the modem through a different type of connection, such as a USB connection. In another implementation, the terminal provides a wireless connection to any or all of the telephone, the computer system, and the modem, such as through a wireless LAN (or Wi-Fi) connection.

15 The modem 1120 is a typical broadband modem, such as a DSL or cable modem. The modem 1120 is connected to a data network (directly or through appropriate intervening networks), such as the Internet or a private data network (e.g., a corporate intranet). In another implementation, the modem is an analog modem connected to the PSTN. In another implementation, the modem is integrated within the terminal and the terminal is connected directly to the data network.

20 The telephone 1110 and computer system 1115 can send and receive signals and data through the terminal 1105 in a similar way to the process described above in Figures 4 and 5.

Figure 12 shows a representation of one implementation of a telephony terminal 1205 connected to a telephone 1210, a computer system 1215, and a base station 1220.  
25 The terminal 1205 is connected to the telephone 1210 through a USB connection of the terminal 1205, a USB/RJ-11 converter 1212, and an RJ-11 connection of the telephone 1210. In another implementation, the terminal is connected to the telephone through a different type of connection. For example, in one implementation, the terminal is connected to the telephone through an RJ-11 connection. In another implementation, the  
30 telephone is connected to the terminal through a wireless connection. In another implementation, the terminal is also connected to the telephone through an additional control line.

The telephone 1210 is a typical analog telephone. In another implementation, the telephone is a typical cordless telephone. In another implementation, the telephone is a

wireless handset with a wireless connection to a base unit connected to the terminal. In another implementation, the telephone is integrated within the terminal (e.g., the base unit of a cordless telephone is integrated within the terminal and communicates with a cordless handset).

5           The terminal 1205 is connected to the computer system 1215 through a USB connection. In another implementation, the terminal is connected to the computer system through a different type of connection, such as an RJ-45 connection.

          The computer system 1215 is a typical desktop or laptop computer. In another implementation, the computer system is a device including a programmable processor and related components for providing the functionality of a computer system, such as a PDA or  
10           a consumer electronics device. In another implementation, the computer system is integrated within the terminal.

          The terminal 1205 is connected to the base station 1220 through a wireless connection. In one implementation, the wireless connection is a wide-area wireless  
15           connection such as a cellular or PCS connection. For example, the wireless connection can be a CDMA, GSM, or TDMA connection, or a wireless LAN (or Wi-Fi) connection, among others. In another implementation, the wireless connection is a local wireless connection.

          The base station 1220 is a typical wireless base station. The base station 1220 is  
20           connected to a wireless network. The wireless network provides a data network or is connected to a data network, such as the Internet or a private data network (e.g., a corporate intranet). In one implementation, the wireless network is also connected to the PSTN. In another implementation, the terminal is connected directly to the PSTN.

          The telephone 1210 and computer system 1215 can send and receive signals and  
25           data through the terminal 1205 and wireless connection in a similar way to the process described above in Figures 9 and 10.

          Figure 13 shows a representation of one implementation of a telephony services terminal 1305 connected to a wireless terminal 1307, a telephone 1310, a computer system 1315, and a base station 1320. The services terminal 1305 and the wireless terminal 1307  
30           together provide the functionality of the telephony terminal 1205 in Figure 12, but as separate devices. In one implementation, the services terminal 1305 includes the components and services of the terminal 200 in Figure 2 or terminal 300 in Figure 3.

          The services terminal 1305 is connected to the wireless terminal 1307 through an RJ-45 connection. In another implementation, the services terminal is connected to the



wireless terminal through a different type of connection, such as a USB or wireless connection.

The wireless terminal 1307 includes a subset of the components and services of the terminal 700 in Figure 7 or the terminal 800 in Figure 8. For example, in one  
5 implementation, the wireless terminal includes (referring to the components and services shown in Figure 8): a controller 805 and connected memory 810, a user interface 825, a power source 830, a control connection 835, a wireless modem service 870, a radio interface 875, and an antenna 880. Instead of an RJ-11 connection, the wireless terminal includes an RJ-45 connection to connect to the services terminal. In another  
10 implementation, the wireless terminal also provides a broadband or network service to process data received from and to be sent to the services terminal.

The services terminal 1305 is connected to the telephone 1310 through an RJ-45 connection of the services terminal 1305, a RJ-45/RJ-11 converter 1312, and an RJ-11 connection of the telephone 1310. In another implementation, the services terminal is  
15 connected to the telephone through a different type of connection. For example, in one implementation, the services terminal is connected to the telephone through an RJ-11 connection or through a USB connection and an USB/RJ-11 converter. In another implementation, the telephone is connected to the services terminal through a wireless connection. In another implementation, the services terminal is also connected to the  
20 telephone through an additional control line.

The telephone 1310 is a typical analog telephone. In another implementation, the telephone is a typical cordless telephone. In another implementation, the telephone is a wireless handset with a wireless connection to a base unit connected to the services terminal. In another implementation, the telephone is integrated within the services  
25 terminal (e.g., the base unit of a cordless telephone is integrated within the terminal and communicates with a cordless handset).

The services terminal 1305 is connected to the computer system 1315 through an RJ-45 connection. In another implementation, the services terminal is connected to the computer system through a different type of connection, such as a USB connection.

30 The computer system 1315 is a typical desktop or laptop computer. In another implementation, the computer system is a device including a programmable processor and related components for providing the functionality of a computer system, such as a PDA or a consumer electronics device. In another implementation, the computer system is integrated within the services terminal.

The wireless terminal 1307 is connected to the base station 1320 through a wireless connection. In one implementation, the wireless connection is a wide-area wireless connection such as a cellular or PCS connection. For example, the wireless connection can be a CDMA, GSM, or TDMA connection, or a wireless LAN (or Wi-Fi) connection, among others. In another implementation, the wireless connection is a local wireless connection.

The base station 1320 is a typical wireless base station. The base station 1320 is connected to a wireless network. The wireless network provides a data network or is connected to a data network, such as the Internet or a private data network (e.g., a corporate intranet). In one implementation, the wireless network is also connected to the PSTN. In another implementation, the services terminal or the wireless terminal is connected directly to the PSTN.

The telephone 1310 and computer system 1315 can send and receive signals and data through the services terminal 1305, wireless terminal 1307, and wireless connection in a similar way to the process described above in Figures 4, 5, 9, and 10. For example, when sending information from the telephone 1310 to the wireless network, the telephone 1310 provides the information to the services terminal 1305, the services terminal 1305 provides data to the wireless terminal 1307, and the wireless terminal 1307 provides signals to the base station 1320 and on the wireless network. The services terminal 1305 processes the information from the telephone 1310 and outputs the information as data according to the process of Figure 4. The wireless terminal 1307 processes the data from the services terminal 1305 and outputs the data as a wireless signal according to the latter part of Figure 9, specifically blocks 915 and 920. In an alternative implementation, the services terminal does not process the information beyond the requested service and provides the data to the wireless terminal in an intermediate form (e.g., skipping block 415).

In this way, the services terminal 1305 provides the requested service (e.g., VoIP, browser translation, e-mail gateway, etc. as described above) and the wireless terminal 1307 provides a wireless connection for communication with the wireless network. Because the services terminal and the wireless terminal are separated into two devices, a service provider (e.g., a wireless carrier company) can provide the services terminal and the wireless terminal separately. For customers who want a wireless connection the service provider provides both terminals, and for customers who do not want a wireless connection the service provider provides only the services terminal.

The various implementations of the invention are realized in electronic hardware, computer software, or combinations of these technologies. Some implementations include one or more computer programs executed by a programmable processor or computer. For example, referring to Figure 1, in one implementation, the terminal 105 includes one or  
5 more programmable processors. In general, each computer includes one or more processors, one or more data-storage components (e.g., volatile or non-volatile memory modules and persistent optical and magnetic storage devices, such as hard and floppy disk drives, CD-ROM drives, and magnetic tape drives), one or more input devices (e.g., mice and keyboards), and one or more output devices (e.g., display consoles and printers).

10 The computer programs include executable code that is usually stored in a persistent storage medium and then copied into memory at run-time. The processor executes the code by retrieving program instructions from memory in a prescribed order. When executing the program code, the computer receives data from the input and/or storage devices, performs operations on the data, and then delivers the resulting data to the  
15 output and/or storage devices.

Various illustrative implementations of the present invention have been described. However, one of ordinary skill in the art will see that additional implementations are also possible and within the scope of the present invention. For example, while the above  
20 description focuses on implementations using telephones, different voice communication devices can be used, such as two-way radios. In another alternative implementation, rather than voice service, the terminal provides data transfer services such as file downloading.

Accordingly, the present invention is not limited to only those implementations described above.

25

What is claimed is:

1. A telephony system, comprising:
  - a phone connection for connecting to a telephone;
  - 5 a network connection for connecting to a network; and
  - a controller connected to said phone connection and to said network connection;
  - wherein said controller provides a phone service for processing information for said phone connection,
  - said controller provides a network service for processing information for said
  - 10 network connection; and
  - said controller provides a network voice service for converting information to and from a network voice format.
2. The telephony system of claim 1, wherein:
  - 15 said phone connection is an RJ-11 connection.
3. The telephony system of claim 1, wherein:
  - said phone connection is a USB connection.
- 20 4. The telephony system of claim 1, wherein:
  - said network connection is an RJ-45 connection.
5. The telephony system of claim 1, wherein:
  - said network connection is a broadband connection.
- 25 6. The telephony system of claim 1, wherein:
  - said network connection is a wireless connection.
7. The telephony system of claim 6, wherein:
  - 30 said network connection is a CDMA connection.
8. The telephony system of claim 1, wherein:
  - said network voice format supports sending voice data in an IP network.

9. The telephony system of claim 1, further comprising:  
a radio interface connected to said controller; and  
an antenna connected to said radio interface.
- 5 10. The telephony system of claim 1, further comprising:  
a peripheral connection connected to said controller for connecting to a peripheral  
device.
11. The telephony system of claim 10, wherein:  
10 said peripheral connection is a USB connection.
12. The telephony system of claim 10, wherein:  
said peripheral connection is for connecting to a computer system.
- 15 13. The telephony system of claim 1, further comprising:  
a control connection connected to said controller for transferring control  
information to and from said telephone connected to said phone connection.
14. The telephony system of claim 1, wherein:  
20 said controller provides a browser service for supporting transferring information  
for browser applications between said phone connection and said network connection.
15. The telephony system of claim 14, wherein:  
said browser service supports a web browser application.  
25
16. The telephony system of claim 1, wherein:  
said controller provides a message service for supporting transferring information  
for message applications between said phone connection and said network connection.
- 30 17. The telephony system of claim 16, wherein:  
said message service supports an email application.

18. The telephony system of claim 1, wherein:  
said controller provides a G3 fax service for supporting transferring information for fax conversions between said phone connection and said network connection.
- 5 19. The telephony system of claim 1, wherein:  
said controller provides a voicemail service for supporting transferring information for voicemail between said phone connection and said network connection.
20. The telephony system of claim 1, further comprising:  
10 a GPS system connected to said controller.
21. The telephony system of claim 20, wherein:  
said controller supports precision differential GPS positioning using said GPS system.
- 15 22. The telephony system of claim 1, wherein:  
said controller supports backing up data from said telephone.
23. The telephony system of claim 1, wherein:  
20 said controller supports PIM information management.
24. The telephony system of claim 1, wherein:  
said controller supports wireless terminal provisioning.
- 25 25. The telephony system of claim 1, wherein:  
said network connection is also for connecting to a wireless terminal.
26. A method of sending data to a network, comprising:  
receiving information through a phone connection at a terminal, wherein said  
30 information indicates a service;  
preparing intermediate information based on said information according to said indicated service;

preparing network data based on said intermediate information according to a network protocol for a network connected to said terminal; and sending said network data to said network.

- 5 27. The method of claim 26, wherein:  
said phone connection is an RJ-11 connection.
28. The method of claim 26, wherein:  
said phone connection is a USB connection.
- 10 29. The method of claim 26, wherein:  
said network connection is an RJ-45 connection.
30. The method of claim 26, wherein:  
15 said network connection is a broadband connection.
31. The method of claim 26, wherein:  
said network connection is a wireless connection.
- 20 32. The method of claim 31, wherein:  
said network protocol is CDMA.
33. The method of claim 26, wherein:  
said service is a voice over IP service.
- 25 34. The method of claim 26, wherein:  
said service is an email service.
35. The method of claim 26, wherein:  
30 said service is a browser service.
36. The method of claim 26, further comprising:  
receiving control information through a control connection from said telephone;

wherein preparing said intermediate information includes using said control information.

37. The method of claim 26, wherein:

5            sending said network data to said network includes sending said network data to a wireless terminal providing a wireless connection to said network.

38. A method of processing data from a network, comprising:

          receiving information through a network connection at a terminal, wherein said  
10 network connection is connected to a network and said information indicates a service;

          preparing intermediate information based on said information according to said indicated service;

          preparing phone information based on said intermediate information according to a protocol for a telephone connected to said terminal; and

15            sending said phone information to said telephone.

39. The method of claim 38, wherein:

          said phone connection is an RJ-11 connection.

20 40. The method of claim 38, wherein:

          said phone connection is a USB connection.

41. The method of claim 38, wherein:

          said network connection is an RJ-45 connection.

25

42. The method of claim 38, wherein:

          said network connection is a broadband connection.

43. The method of claim 38, wherein:

30            said network connection is a wireless connection.

44. The method of claim 43, wherein:

          said network protocol is CDMA.



45. The method of claim 38, wherein:  
said service is a voice over IP service.
46. The method of claim 38, wherein:  
5 said service is an email service.
47. The method of claim 38, wherein:  
said service is a browser service.
- 10 48. The method of claim 38, further comprising:  
receiving control information through a control connection from said telephone;  
wherein preparing said intermediate information includes using said control  
information.
- 15 49. The method of claim 38, wherein:  
receiving information through said network connection includes receiving said  
information from a wireless terminal, and  
said network connection is connected to said network through said wireless  
terminal providing a wireless connection to said network.
- 20 50. A system for sending data to a network, comprising:  
means for processing information received through a phone connection at a  
terminal, wherein said information indicates a service;  
means for preparing intermediate information based on said information according  
25 to said indicated service;  
means for preparing network data based on said intermediate information according  
to a network protocol for a network connected to said terminal;  
means for sending said network data to said network.
- 30 51. A system for processing data from a network, comprising:  
means for processing information received through a network connection at a  
terminal, wherein said network connection is connected to a network and said information  
indicates a service;

means for preparing intermediate information based on said information according to said indicated service;

means for preparing phone information based on said intermediate information according to a protocol for a telephone connected to said terminal;

5 means for sending said phone information to said telephone.

FIG. 1

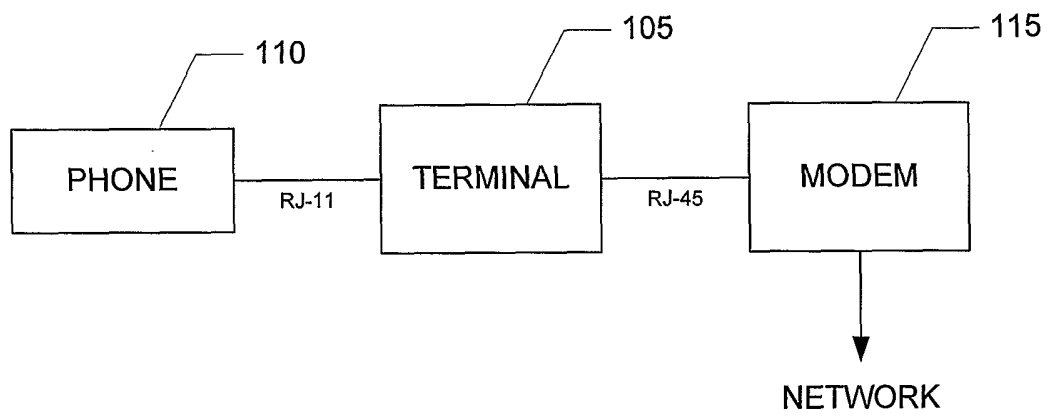


FIG. 2

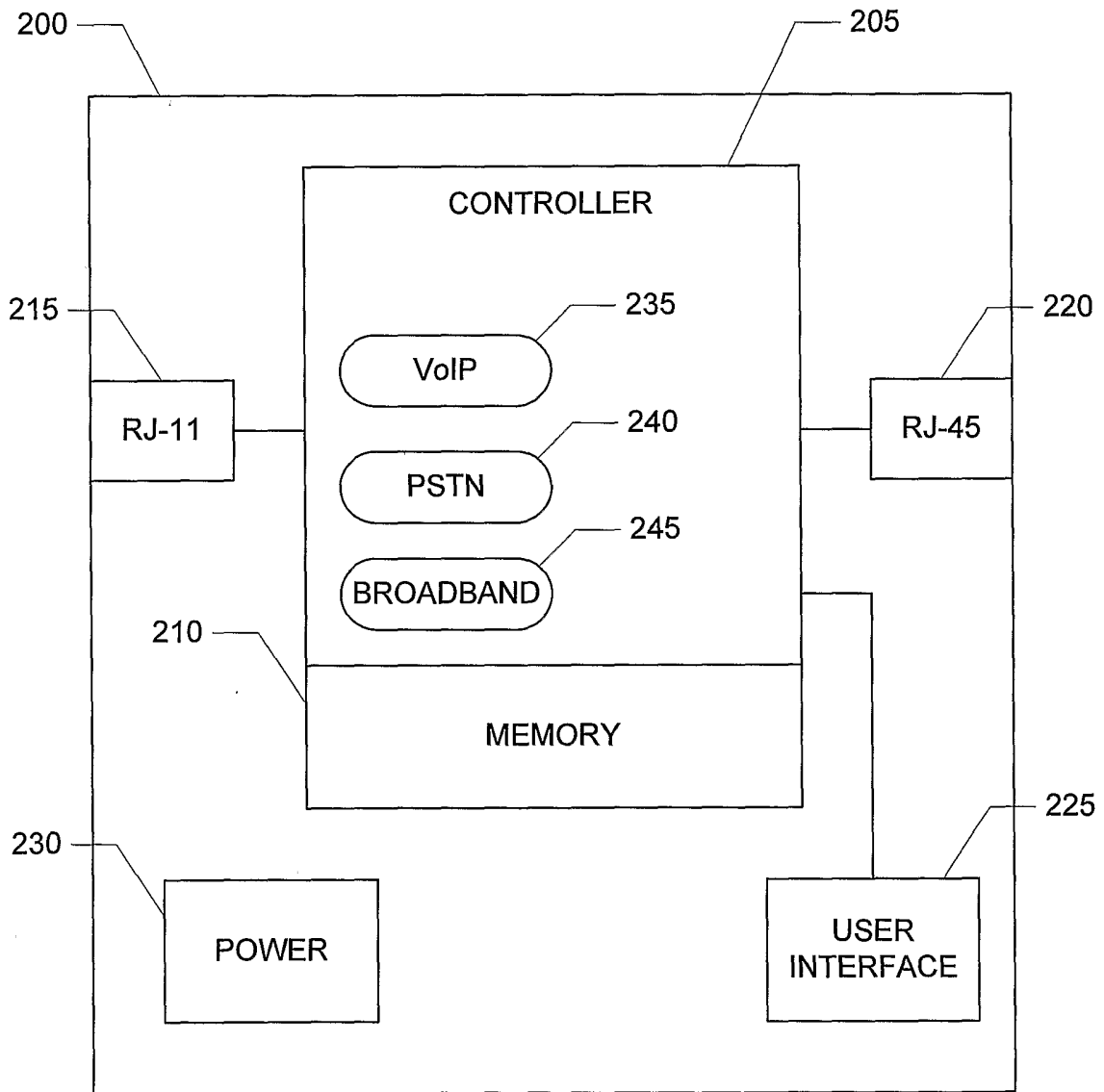


FIG. 3

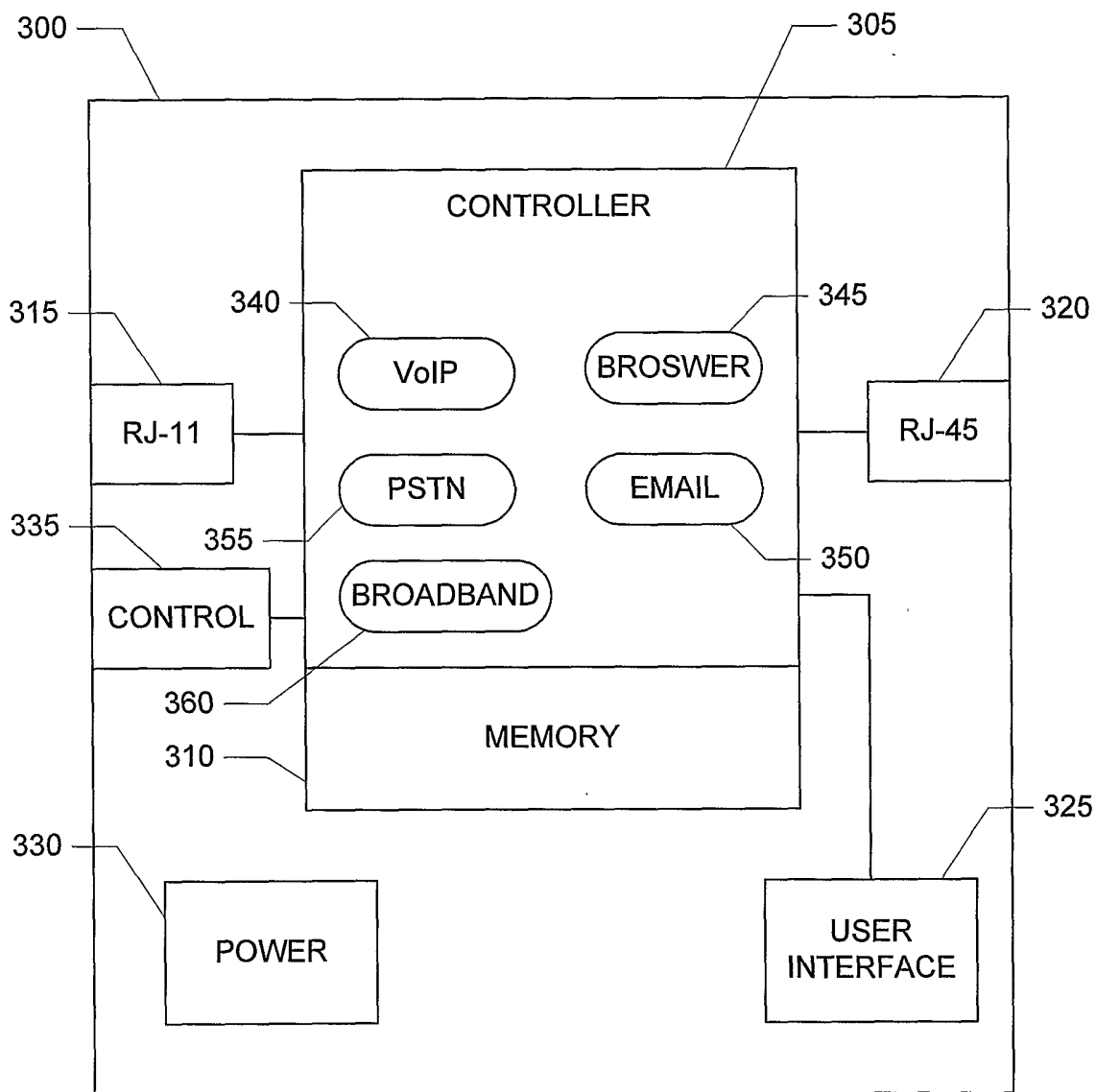


FIG. 4

400

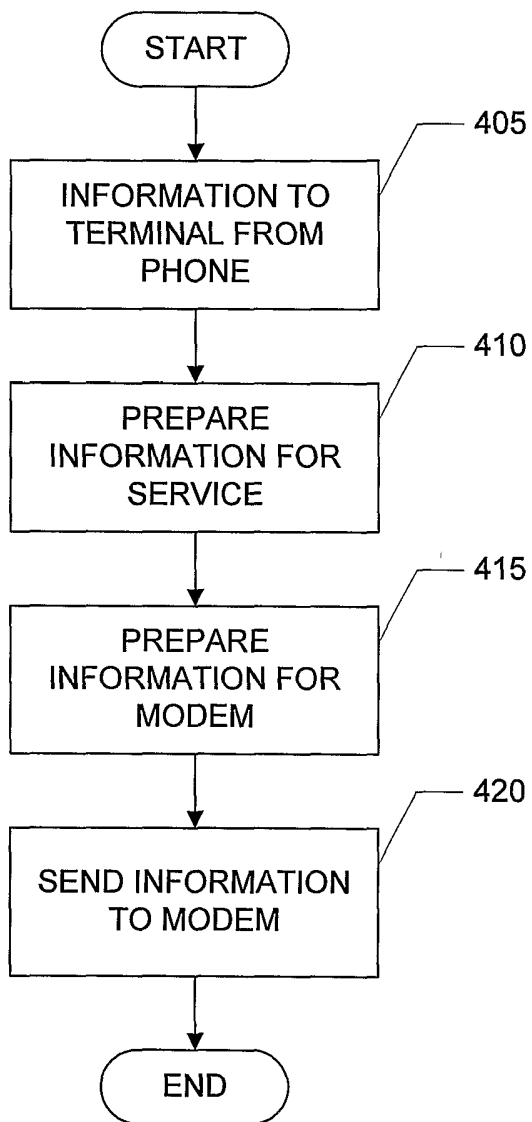


FIG. 5

500

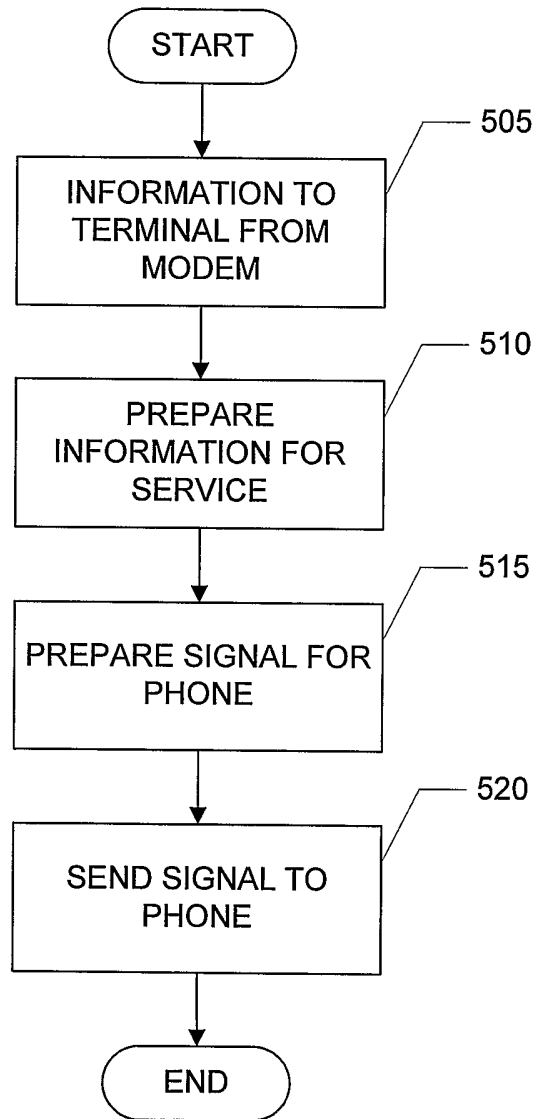


FIG. 6

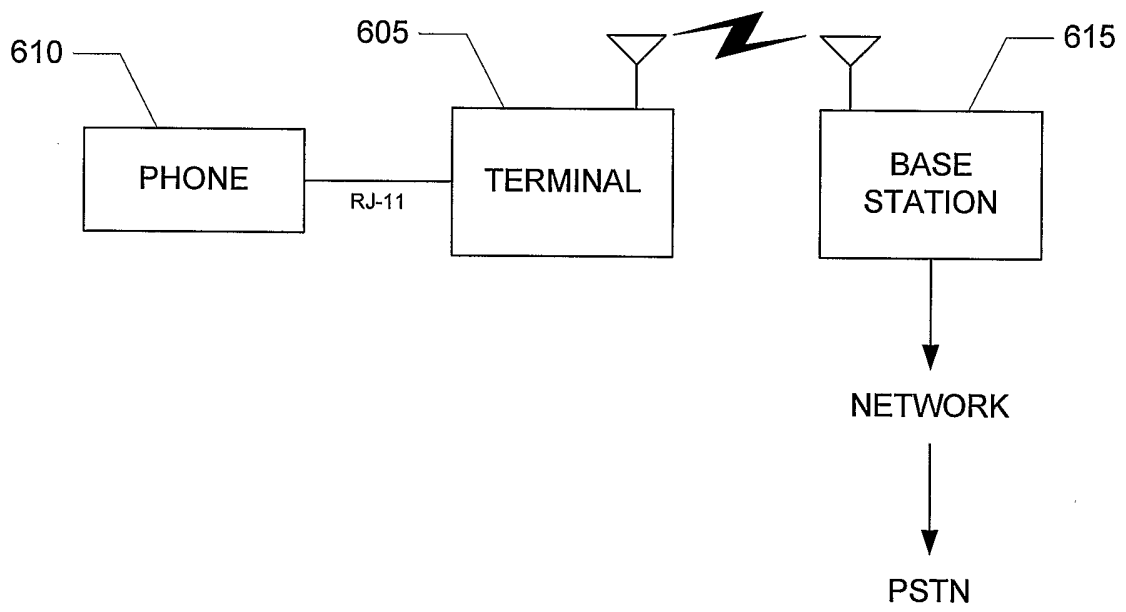




FIG. 7

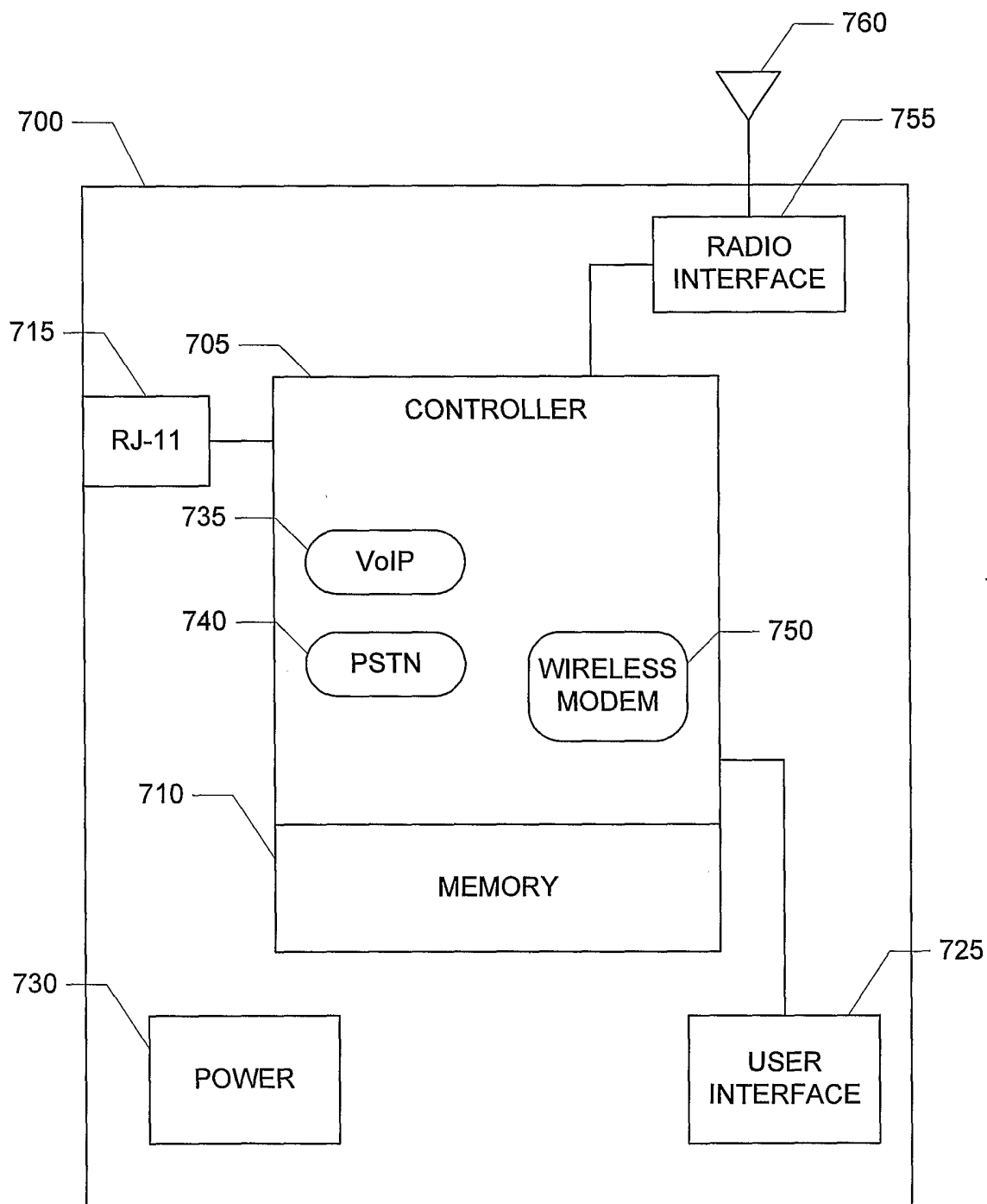


FIG. 8

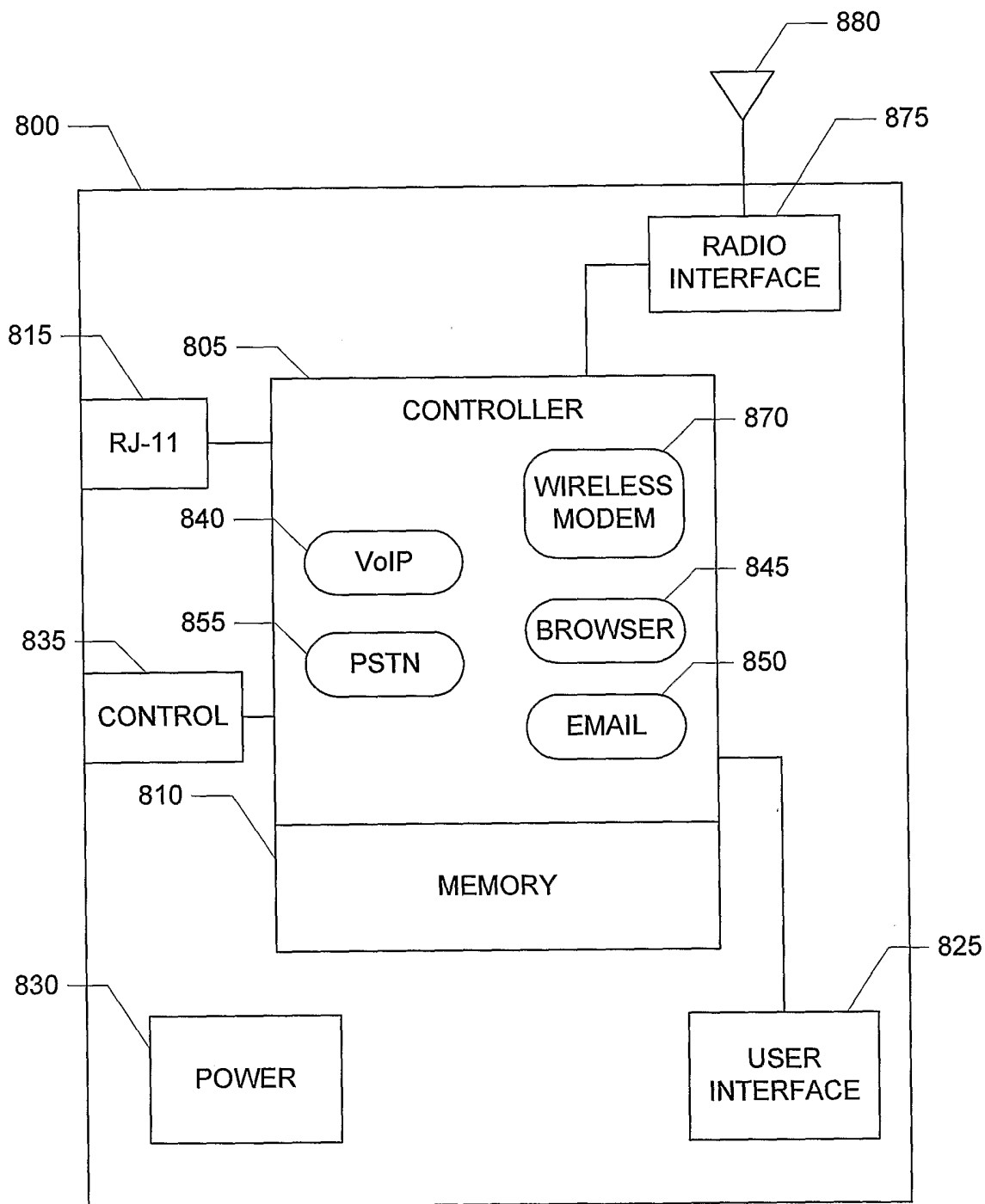


FIG. 9

900

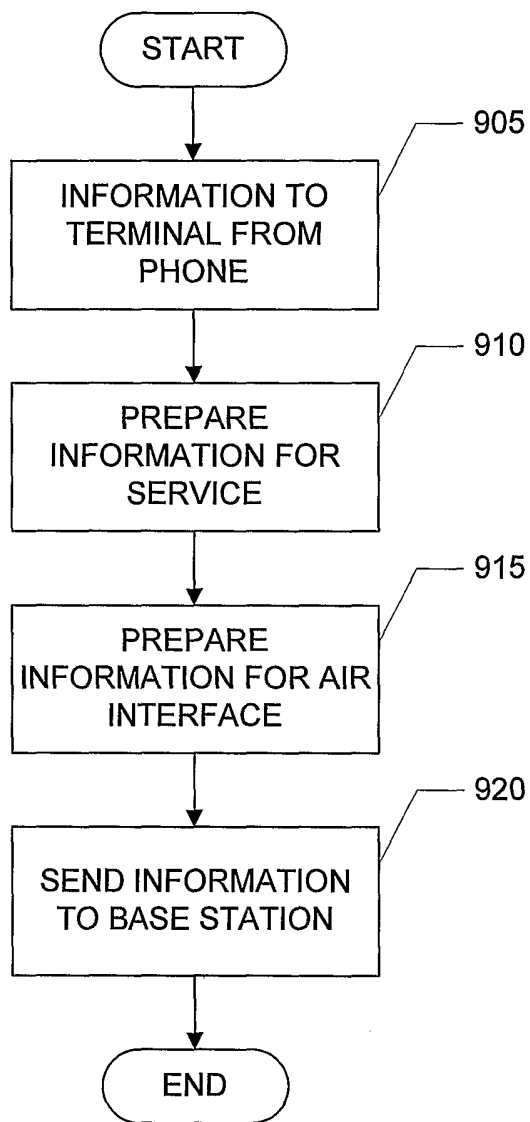


FIG. 10

1000

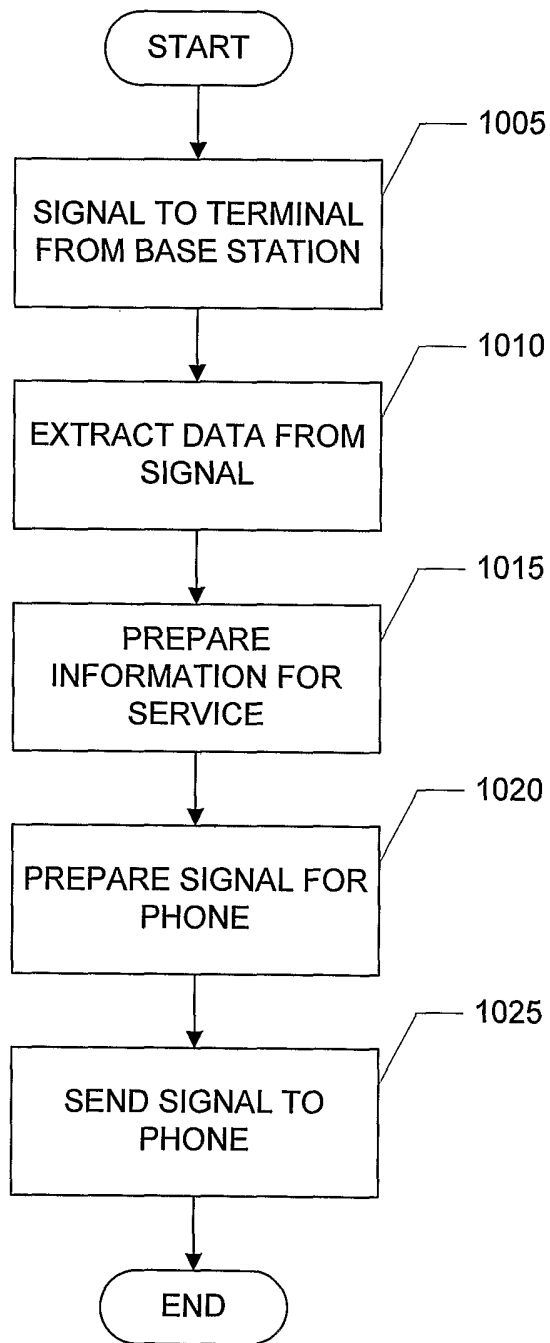


FIG. 11

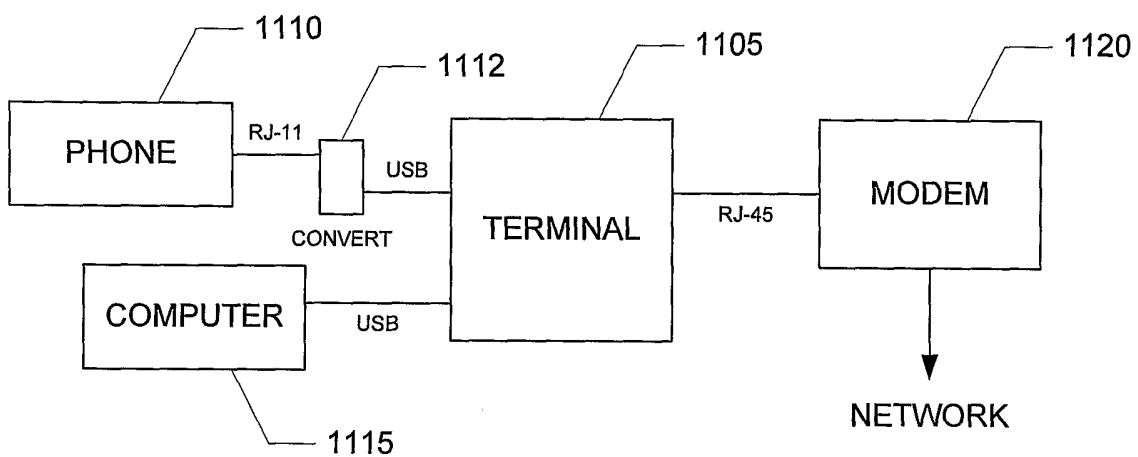


FIG. 12

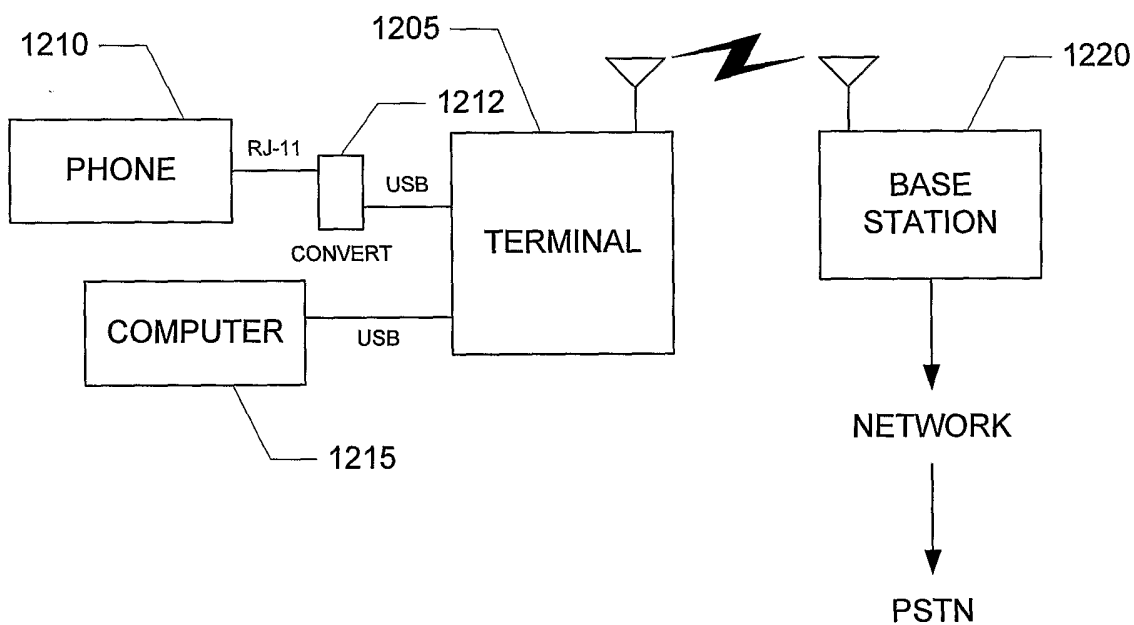
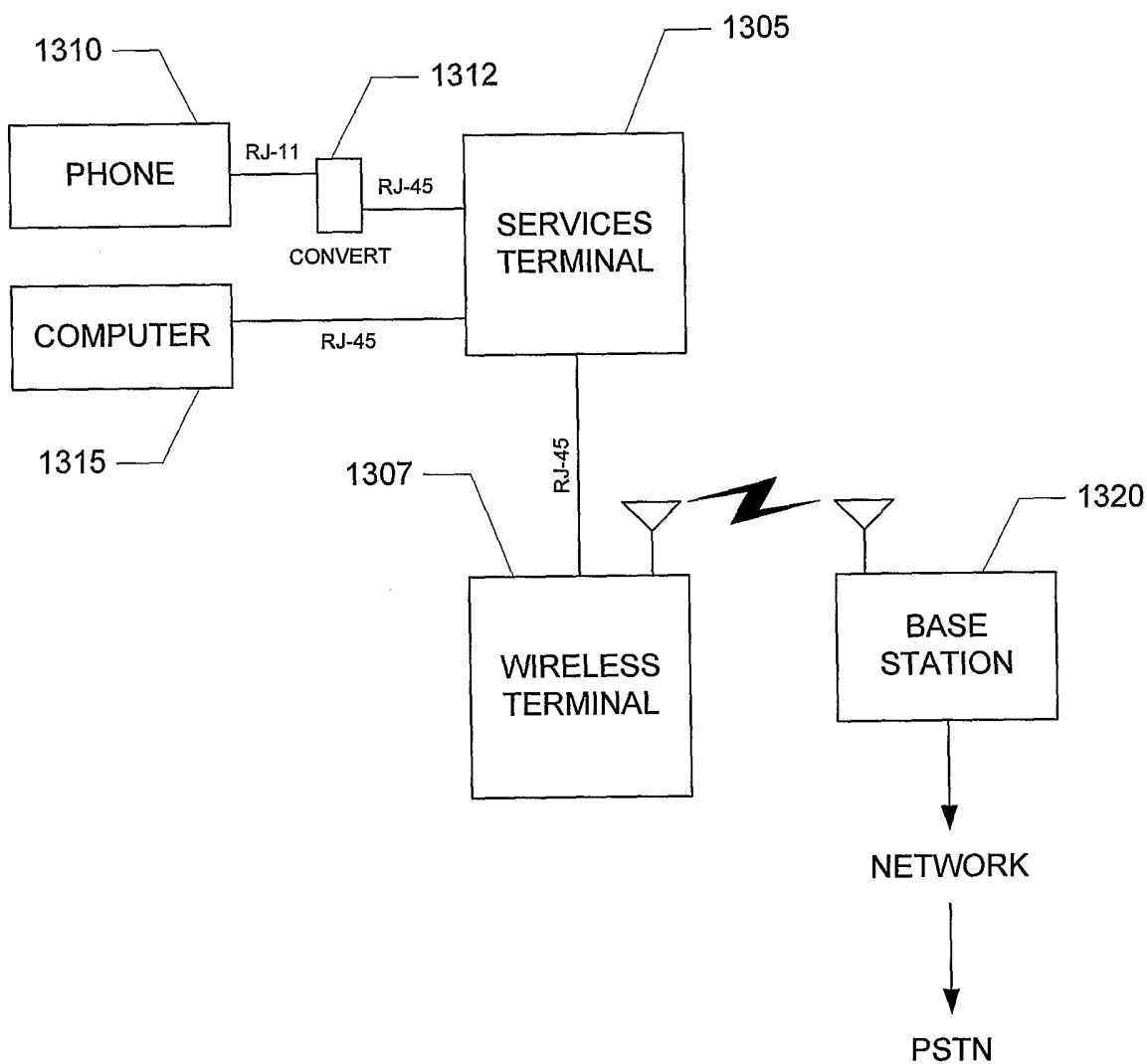


FIG. 13







# INTERNATIONAL SEARCH REPORT

International Application No  
 PCT/US 03/30766

| C.(Continuation) DOCUMENTS CONSIDERED TO BE RELEVANT |   |                           |
|--|---|---------------------------|
| Category *   | Citation of document, with indication, where appropriate, of the relevant passages  | Relevant to claim No.     |
| A  | US 5 970 473 A (GERSZBERG IRWIN ET AL)<br>19 October 1999 (1999-10-19)<br><br>abstract<br>figures 3A,5A<br><br>-----  | 14-17,<br>34,35,<br>46,47 |
| A  | WO 00 75685 A (CHRISTIANSOON JONAS<br>;PARASNIS AMALENDU (SE); SIKSTROEM ANDREAS<br>(SE) 14 December 2000 (2000-12-14)<br>abstract<br>page 1, line 5 -page 9, line 8<br><br>----- | 20,21,<br>34,35,<br>46,47 |

# INTERNATIONAL SEARCH REPORT

International Application No  
PCT/US 03/30766

| Patent document cited in search report | Publication date | Patent family member(s) | Publication date |            |
|--|------------------|-------------------------|------------------|------------|
| WO 02058253                            | A                | 25-07-2002              | WO 02099607 A2   | 12-12-2002 |
|  |                  |                         | WO 02058352 A1   | 25-07-2002 |
|  |                  |                         | WO 02058253 A2   | 25-07-2002 |
| US 6295293                             | B1               | 25-09-2001              | SE 506775 C2     | 09-02-1998 |
|  |                  |                         | SE 511236 C2     | 30-08-1999 |
|  |                  |                         | AT 249123 T      | 15-09-2003 |
|  |                  |                         | AU 725079 B2     | 05-10-2000 |
|  |                  |                         | AU 3113697 A     | 05-01-1998 |
|  |                  |                         | AU 741622 B2     | 06-12-2001 |
|  |                  |                         | AU 3113797 A     | 05-01-1998 |
|  |                  |                         | AU 730598 B2     | 08-03-2001 |
|  |                  |                         | AU 3198597 A     | 05-01-1998 |
|  |                  |                         | AU 721188 B2     | 22-06-2000 |
|  |                  |                         | AU 3198697 A     | 05-01-1998 |
|  |                  |                         | CA 2253657 A1    | 11-12-1997 |
|  |                  |                         | CA 2253789 A1    | 11-12-1997 |
|  |                  |                         | CA 2256728 A1    | 11-12-1997 |
|  |                  |                         | CA 2257505 A1    | 11-12-1997 |
|  |                  |                         | CN 1221530 A     | 30-06-1999 |
|  |                  |                         | CN 1221533 A     | 30-06-1999 |
|  |                  |                         | CN 1221531 A ,B  | 30-06-1999 |
|  |                  |                         | CN 1221534 A     | 30-06-1999 |
|  |                  |                         | DE 69724611 D1   | 09-10-2003 |
|  |                  |                         | EP 0898837 A2    | 03-03-1999 |
|  |                  |                         | EP 0898833 A1    | 03-03-1999 |
|  |                  |                         | EP 0903031 A1    | 24-03-1999 |
|  |                  |                         | EP 0898838 A1    | 03-03-1999 |
|  |                  |                         | JP 2002512738 T  | 23-04-2002 |
|  |                  |                         | JP 2000511723 T  | 05-09-2000 |
|  |                  |                         | JP 2000511724 T  | 05-09-2000 |
|  |                  |                         | JP 2000511725 T  | 05-09-2000 |
|  |                  |                         | KR 2000015877 A  | 15-03-2000 |
|  |                  |                         | KR 2000015926 A  | 15-03-2000 |
|  |                  |                         | KR 2000015957 A  | 25-03-2000 |
|  |                  |                         | KR 2000016017 A  | 25-03-2000 |
|  |                  |                         | SE 9602212 A     | 05-12-1997 |
|  |                  |                         | SE 9603932 A     | 29-04-1998 |
|  |                  |                         | WO 9747118 A1    | 11-12-1997 |
|  |                  |                         | WO 9747127 A1    | 11-12-1997 |
|  |                  |                         | WO 9746073 A2    | 11-12-1997 |
|  |                  |                         | WO 9747119 A1    | 11-12-1997 |
| US 2002118676 A1                       | 29-08-2002       |                         |                  |            |
| US 2001036171 A1                       | 01-11-2001       |                         |                  |            |
| US 6515996 B1                          | 04-02-2003       |                         |                  |            |
| AU 5236698 A                           | 22-06-1998       |                         |                  |            |
| BR 9713451 A                           | 28-03-2000       |                         |                  |            |
| CA 2273095 A1                          | 04-06-1998       |                         |                  |            |
| CN 1238881 A                           | 15-12-1999       |                         |                  |            |
| EP 0948860 A1                          | 13-10-1999       |                         |                  |            |
| JP 2001506816 T                        | 22-05-2001       |                         |                  |            |
| SE 9604409 A                           | 30-05-1998       |                         |                  |            |
| WO 9824224 A1                          | 04-06-1998       |                         |                  |            |
| TW 387188 B                            | 11-04-2000       |                         |                  |            |
| US 5970473                             | A                | 19-10-1999              | NONE             |            |
| WO 0075685                             | A                | 14-12-2000              | WO 0075685 A1    | 14-12-2000 |

# INTERNATIONAL SEARCH REPORT

International Application No  
PCT/US 03/30766

| Patent document cited in search report | Publication date | Patent family member(s) | Publication date |
|--|------------------|-------------------------|------------------|
| WO 0075685                             | A                | SE 9902110 A            | 18-08-2000       |