



US00D794771S

(12) **United States Design Patent** (10) **Patent No.:** **US D794,771 S**
Wu et al. (45) **Date of Patent:** **** Aug. 15, 2017**

(54) **DRUG DELIVERY PUMP**
(71) Applicant: **UNITRACT SYRINGE PTY LTD.,**
Sydney (AU)
(72) Inventors: **Kun-Chi Wu**, Princeton, NJ (US);
Lawton Laurence, Phoenixville, PA
(US)
(73) Assignee: **Unitract Syringe Pty Ltd.,** Sydney
(AU)
(**) Term: **15 Years**
(21) Appl. No.: **29/532,806**
(22) Filed: **Jul. 10, 2015**
(51) **LOC (10) Cl.** **24-01**
(52) **U.S. Cl.**
USPC **D24/108**
(58) **Field of Classification Search**
USPC D24/107, 108, 111–113, 185, 188
CPC A61M 5/20; A61M 5/30; A61M 5/142;
A61M 5/14228; A61M 2005/14208;
A61M 1/1039; A61M 5/14248; A61M
5/172; A61M 5/14566; A61M 5/14244;
A61M 2205/502
See application file for complete search history.

7,479,135 B2 1/2009 Richter et al.
7,611,503 B2 11/2009 Spohn et al.
7,803,134 B2 9/2010 Sharifi et al.
D629,503 S 12/2010 Caffey et al.
7,846,132 B2 12/2010 Gravesen et al.
7,905,859 B2 3/2011 Bynum et al.

(Continued)

FOREIGN PATENT DOCUMENTS

EP 1702635 A2 9/2006
EP 1341569 B1 1/2007

(Continued)

OTHER PUBLICATIONS

International Search Report and Written Opinion mailed, on Feb.
28, 2013, in PCT/US2012/053241, filed Aug. 30, 2012.

(Continued)

Primary Examiner — Barbara Fox
Assistant Examiner — Lilyana Bekic
(74) *Attorney, Agent, or Firm* — Wiley Rein LLP

(57) **CLAIM**

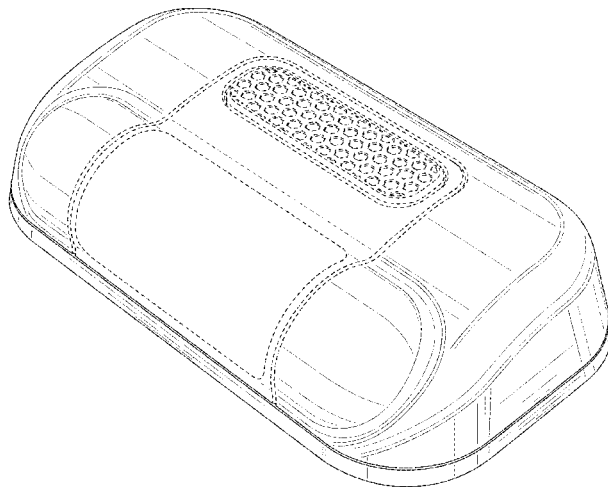
The ornamental design for a drug delivery pump, as shown
and described.

DESCRIPTION

FIG. 1 is a back view of a drug delivery pump, showing our
novel design;
FIG. 2 is an isometric top view thereof;
FIG. 3 is a front view thereof;
FIG. 4 is a top view thereof;
FIG. 5 is a bottom view thereof;
FIG. 6 is a right side view thereof; and,
FIG. 7 is a left side view thereof.
Broken lines in the drawings illustrate portions of the drug
delivery pump that form no part of the claimed design.

1 Claim, 6 Drawing Sheets

(56) **References Cited**
U.S. PATENT DOCUMENTS
4,004,586 A 1/1977 Christensen et al.
4,673,400 A 6/1987 Martin
4,685,903 A 8/1987 Cable et al.
4,755,173 A 7/1988 Konopka et al.
4,840,620 A 6/1989 Kobayashi et al.
5,167,816 A 12/1992 Kruger et al.
5,795,339 A 8/1998 Erskine
5,858,001 A 1/1999 Tsals et al.
6,248,093 B1 6/2001 Moberg
6,699,218 B2 3/2004 Flaherty et al.
7,063,684 B2 6/2006 Moberg



(56)

References Cited

U.S. PATENT DOCUMENTS

7,927,306 B2* 4/2011 Cross A61M 5/1424
604/151
7,967,795 B1 6/2011 Cabiri
7,976,493 B2* 7/2011 Carter A61M 5/14244
604/67
8,029,472 B2 10/2011 Leinsing et al.
8,048,031 B2 11/2011 Shaw et al.
8,157,769 B2 4/2012 Cabiri
8,167,844 B2 5/2012 Dillard, III
8,187,232 B2 5/2012 Chong et al.
D685,083 S * 6/2013 Schneider D24/108
D685,084 S * 6/2013 Guarraia D24/108
D687,140 S * 7/2013 Guarraia D24/108
D687,141 S * 7/2013 Schneider D24/108
D687,536 S * 8/2013 Guarraia D24/108
D688,784 S * 8/2013 Schneider D24/108
8,915,879 B2* 12/2014 Smith A61M 5/145
604/152
D723,157 S * 2/2015 Clemente D24/111
D745,142 S * 12/2015 O'Connor D24/111
2004/0092878 A1 5/2004 Flaherty
2007/0010789 A1 1/2007 Peter et al.
2008/0132842 A1 6/2008 Flaherty
2008/0269687 A1 10/2008 Chong et al.
2009/0093792 A1* 4/2009 Gross A61M 5/14566
604/518
2009/0124979 A1 5/2009 Raymond et al.
2009/0204077 A1 8/2009 Hasted et al.
2009/0240240 A1* 9/2009 Hines A61M 5/14248
604/890.1
2010/0168683 A1* 7/2010 Cabiri A61M 5/14248
604/263
2011/0066131 A1* 3/2011 Cabiri A61M 5/14248
604/411
2011/0166509 A1 7/2011 Gross et al.
2012/0035546 A1 2/2012 Cabiri
2012/0123354 A1 5/2012 Woehr
2013/0060196 A1* 3/2013 O'Connor A61M 5/14566
604/152
2013/0066274 A1* 3/2013 O'Connor A61M 5/1452
604/151
2014/0200510 A1* 7/2014 Agard A61M 5/3157
604/65

2015/0057613 A1* 2/2015 Clemente A61M 5/14566
604/148
2015/0080799 A1* 3/2015 Schneider A61M 5/14248
604/151
2015/0190588 A1* 7/2015 Hanson A61M 5/158
604/123
2015/0306307 A1* 10/2015 Cole A61M 5/14248
604/508
2015/0359965 A1* 12/2015 O'Connor A61M 5/141
604/123
2016/0158436 A1* 6/2016 Yang F04B 53/16
604/113

FOREIGN PATENT DOCUMENTS

EP 1427471 B1 2/2008
EP 1695727 B1 7/2008
EP 1513580 B1 3/2009
EP 2077128 A1 7/2009
EP 2379134 A1 10/2011
EP 2429612 A1 3/2012
EP 2433663 A1 3/2012
WO 99/48546 A1 9/1999
WO 03/024504 A2 3/2003
WO 03/103763 A1 12/2003
WO 2004/062714 A1 7/2004
WO 2005/037350 A2 4/2005
WO 2008/024808 A2 2/2008
WO 2010/077807 A1 7/2010
WO 2010/084113 A1 7/2010
WO 2010/112377 A1 10/2010
WO 2010/132196 A1 11/2010
WO 2011/006652 A1 1/2011
WO 2011/090956 A2 7/2011
WO 2011/121023 A1 10/2011
WO 2012/131044 A1 10/2012

OTHER PUBLICATIONS

International Search Report and Written Opinion mailed, on Mar. 28, 2013, in PCT/US2012/053174, filed Aug. 30, 2012.
International Search Report and Written Opinion mailed, on Feb. 18, 2013, in PCT/US2012/054861, filed Sep. 12, 2012.
Preliminary Amendment and Application Data Sheet filed, on Jul. 9, 2012, in U.S. Appl. No. 13/521,181, filed Jul. 9, 2012.

* cited by examiner

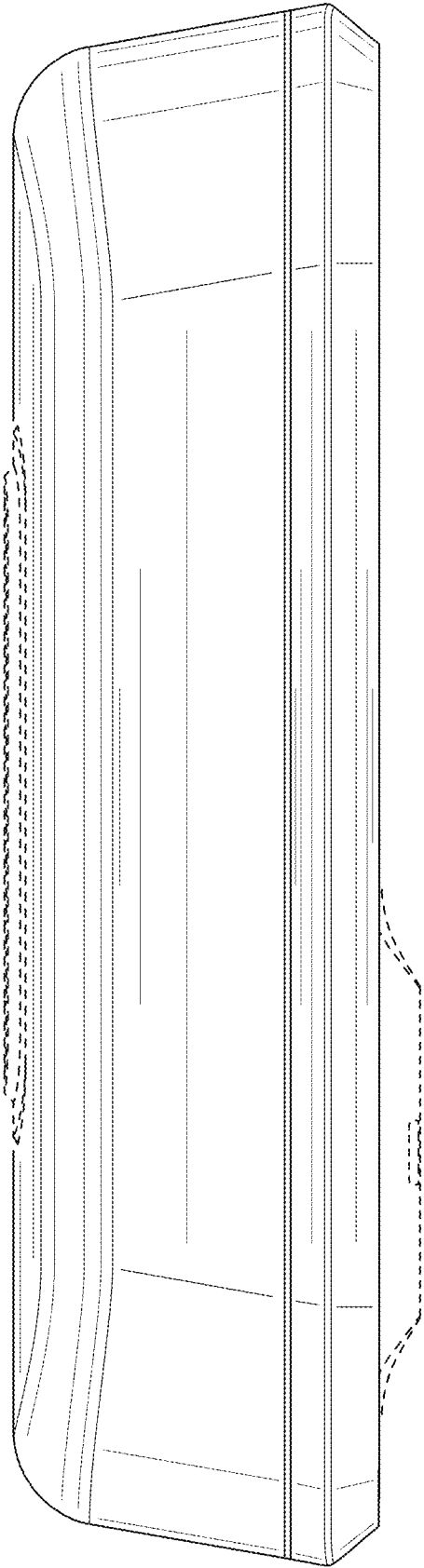


FIG. 1

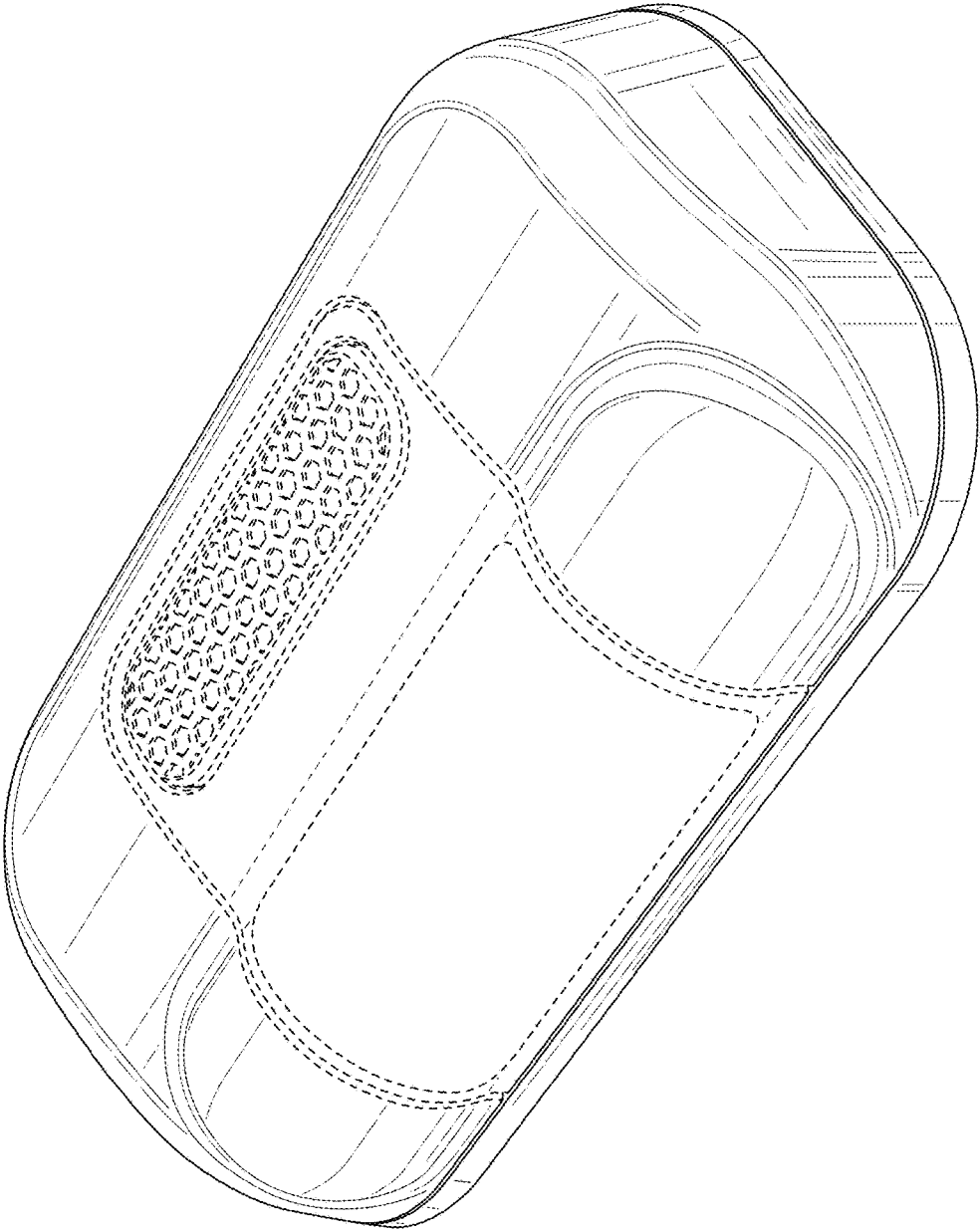


FIG. 2

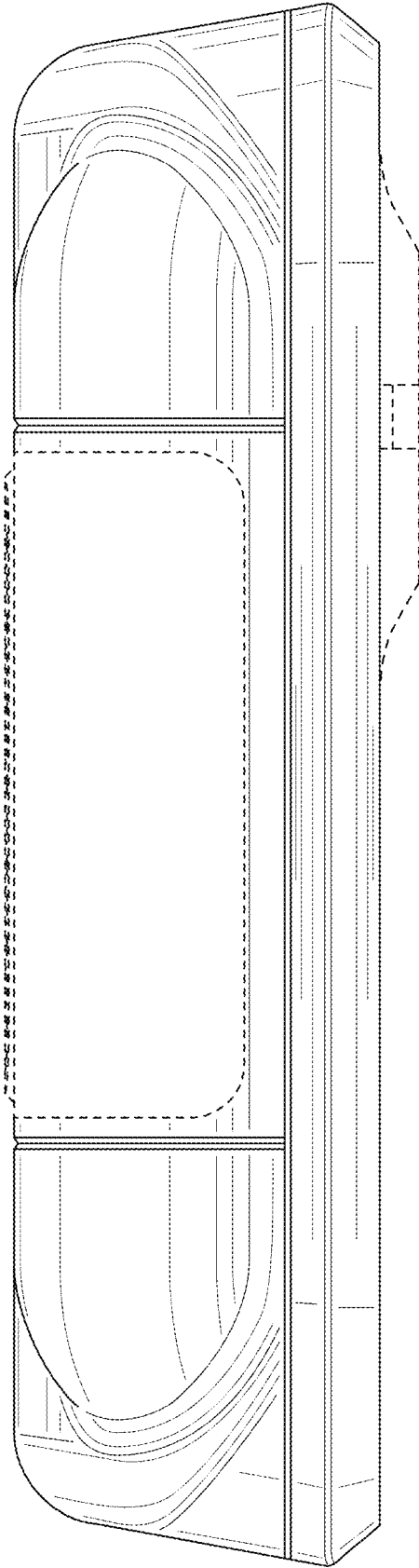


FIG. 3

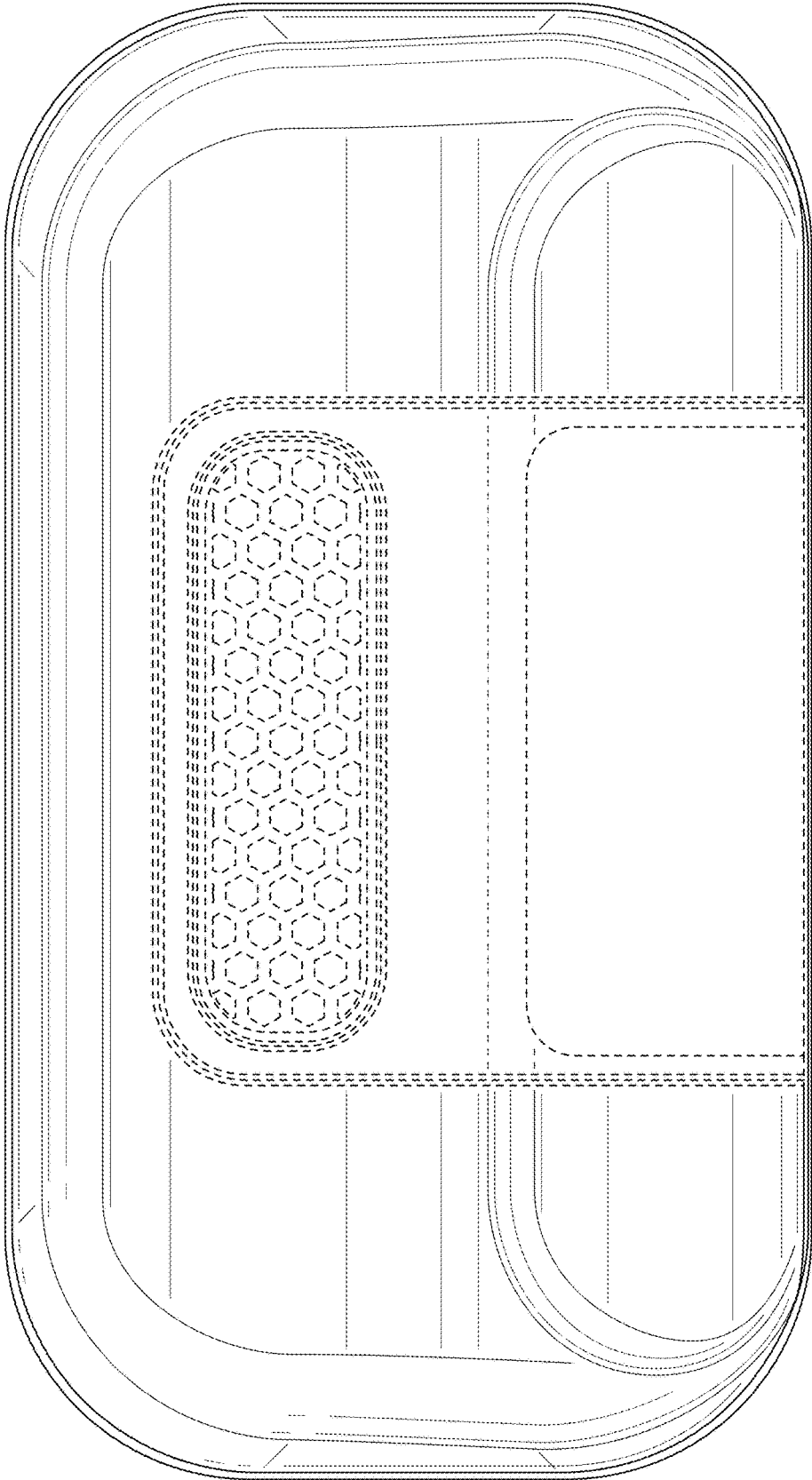


FIG. 4

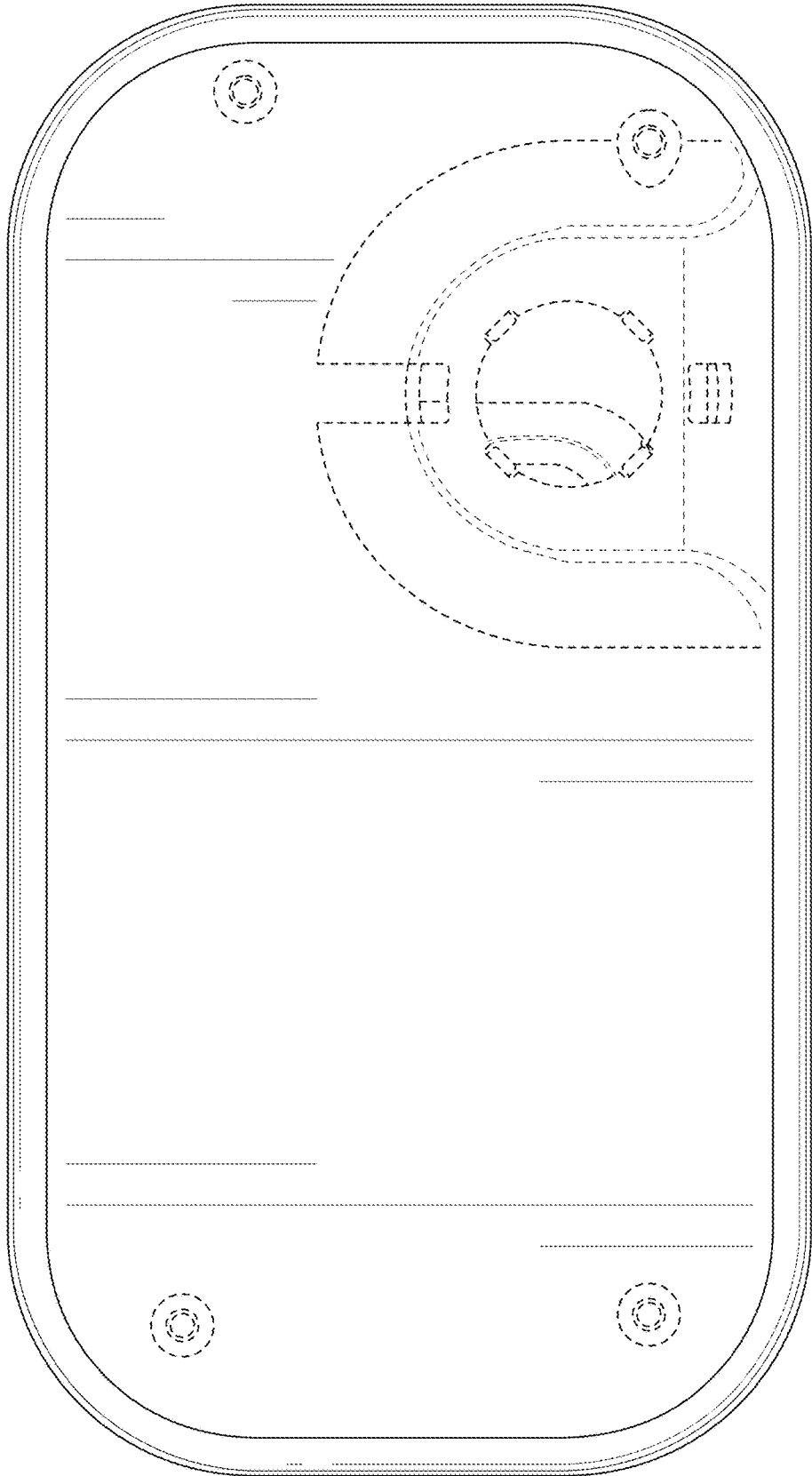


FIG. 5

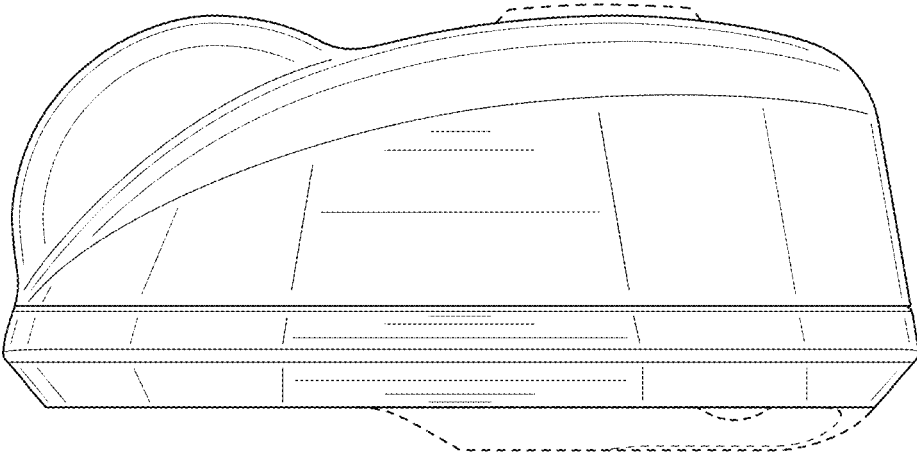


FIG. 6

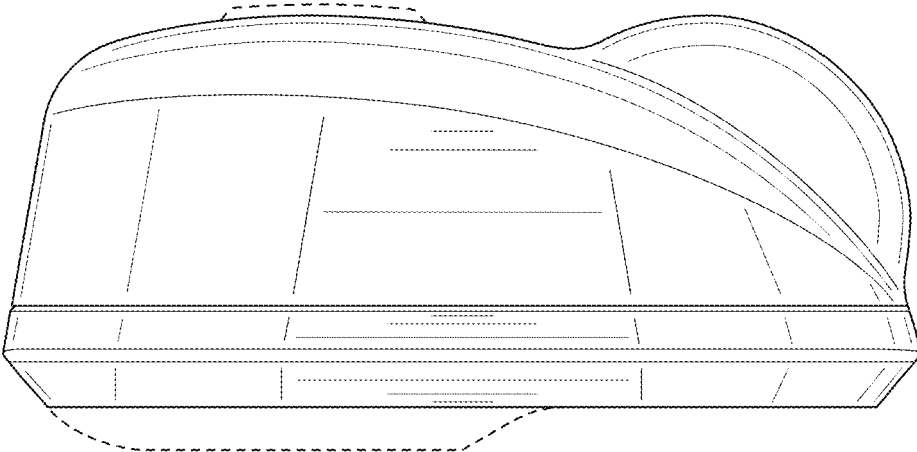


FIG. 7