

(19) World Intellectual Property Organization
International Bureau



(43) International Publication Date
3 November 2005 (03.11.2005)

PCT

(10) International Publication Number
WO 2005/104098 A1

(51) International Patent Classification⁷: G11B 7/004

(21) International Application Number:
PCT/KR2005/001198

(22) International Filing Date: 26 April 2005 (26.04.2005)

(25) Filing Language: English

(26) Publication Language: English

(30) Priority Data:
10-2004-0029187 27 April 2004 (27.04.2004) KR

(71) Applicant: SAMSUNG ELECTRONICS CO., LTD.
[KR/KR]; 416, Maetan-dong, Yeongtong-gu, Suwon-si,
Gyeonggi-do 442-742 (KR).

(72) Inventors: LEE, Kyung-Geun; 229-1006 Sibeomdanji
Woosung Apt., Seohyun-dong, Bundang-gu Seongnam-si,
Gyeonggi-do 463-773 (KR). HWANG, Wook-Yeon;
115 Daeshim 2-ri, Yangseo-myeon, Yangpyung-gun,
Gyeonggi-do 476-822 (KR).

(74) Agent: LEE, Young-Pil; The Cheonghwa Building,
1571-18, Seocho-dong, Seocho-gu, Seoul 137-874 (KR).

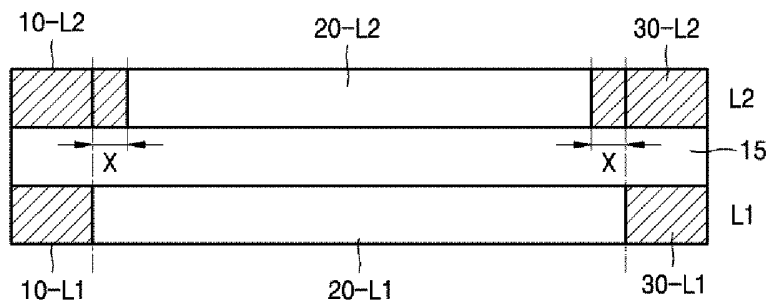
(81) Designated States (unless otherwise indicated, for every kind of national protection available): AE, AG, AL, AM, AT, AU, AZ, BA, BB, BG, BR, BW, BY, BZ, CA, CH, CN, CO, CR, CU, CZ, DE, DK, DM, DZ, EC, EE, EG, ES, FI, GB, GD, GE, GH, GM, HR, HU, ID, IL, IN, IS, JP, KE, KG, KM, KP, KZ, LC, LK, LR, LS, LT, LU, LV, MA, MD, MG, MK, MN, MW, MX, MZ, NA, NI, NO, NZ, OM, PG, PH, PL, PT, RO, RU, SC, SD, SE, SG, SK, SL, SM, SY, TJ, TM, TN, TR, TT, TZ, UA, UG, UZ, VC, VN, YU, ZA, ZM, ZW.

(84) Designated States (unless otherwise indicated, for every kind of regional protection available): ARIPO (BW, GH, GM, KE, LS, MW, MZ, NA, SD, SL, SZ, TZ, UG, ZM, ZW), Eurasian (AM, AZ, BY, KG, KZ, MD, RU, TJ, TM), European (AT, BE, BG, CH, CY, CZ, DE, DK, EE, ES, FI, FR, GB, GR, HU, IE, IS, IT, LT, LU, MC, NL, PL, PT, RO, SE, SI, SK, TR), OAPI (BF, BJ, CF, CG, CI, CM, GA, GN, GQ, GW, ML, MR, NE, SN, TD, TG).

Published:
— with international search report

For two-letter codes and other abbreviations, refer to the "Guidance Notes on Codes and Abbreviations" appearing at the beginning of each regular issue of the PCT Gazette.

(54) Title: INFORMATION STORAGE MEDIUM AND METHOD AND APPARATUS FOR RECORDING/REPRODUCING DATA ON/FROM THE SAME



(57) Abstract: An information storage medium and a method and apparatus for recording/reproducing data n/from the information storage medium. The information storage medium includes a plurality of recording layers, each having a user data area, on which data can be recorded by a pickup. Data s recorded in the order of recording layers from closest to farthest from the pickup, and a recordable region in a user data area of a recording layer on which data is to be recorded is smaller than that in a

recording layer between the pickup and the recording layer on which data is to be recorded. Each recording layer contains a recordable region in a user data area and a optimum power control (OPC) area in order to maintain the same recording/reproducing characteristics between the plurality of recording layers.

WO 2005/104098 A1

Description

INFORMATION STORAGE MEDIUM AND METHOD AND APPARATUS FOR RECORDING/REPRODUCING DATA ON/ FROM THE SAME

Technical Field

- [1] The present invention relates to an information storage medium and a method of and an apparatus for recording/reproducing data on/from the information storage medium. More particularly, the present invention relates to an information storage medium with a plurality of recording layers and which is designed to maintain the same recording/reproducing characteristics between the plurality of recording layers, each layer having recordable regions in user data area and an optimum power control (OPC) area for performing a test to determine optimum recording power, and a method of and an apparatus for recording/reproducing data on/from the information storage medium.

Background Art

- [2] An optical pickup performs non-contact recording/reproducing to/from an information storage medium. Optical disks that are one type of information storage media are classified into compact disks (CDs) and digital versatile disks (DVDs) depending on data recording capacity. Examples of optical disks capable of writing and reading information include CD-Recordable (CD-R), CD- Rewritable (CD-RW), and 4.7GB DVD+RW. Furthermore, a high definition-DVD (HD-DVD) or blu-ray disk (BD) with recording capacity of over 15 GB and a super-resolution optical disk that can read data recorded in a pattern of marks below the resolution limit are currently being developed.
- [3] While only single layer 4.7 GB DVD-Recordable discs are commercially available, dual layer 8.5 GB DVD-ROM discs are being sold in the market. To back up data recorded on the 8.5 GB DVD-ROM disc, a DVD-Recordable disc with the 8.5 GB capacity is required. Thus, there is a need for a recordable disc having at least first and second recording layers.

Disclosure of Invention

Technical Problem

- [4] When recording data on a recordable disc with first and second recording layers, the first recording layer must maintain the same recording/reproducing characteristics as the second recording layer in order to improve recording/reproducing performance. That is, variations in recording/reproducing characteristics depending on the recording sequence may adversely affect the recording/reproducing by a drive. Thus, there is a

need for methods of maintaining the same recording/reproducing characteristics between a plurality of recording layers.

Technical Solution

[5] The present invention provides a method of and an apparatus for recording/reproducing data on/from a recordable information storage medium having a plurality of recording layers such that each recording layer has the same recording/reproducing characteristics and an information storage medium on which data is recorded by the same method and apparatus.

[6] According to an aspect of the present invention, there is provided an information storage medium including a plurality of recording layers, each having a user data area, on which data is recordable by a pickup. In the information storage medium, data is recorded in the order of recording layers from closest to farthest from the pickup, and a recordable region in a user data area of a recording layer on which data is being recorded is smaller than a recordable region in a recording layer between the pickup and the recording layer on which data is being recorded.

[7] In another embodiment, the present invention provides an information storage

[8] Medium including a plurality of recording layers, each having an optimum power control (OPC) area for performing a test in order to determine optimum recording power, on which data is recordable by a pickup. In the information storage medium, data is recorded in the order of recording layers from closest to farthest from the pickup, and a recordable region in an OPC area of a recording layer on which data is being recorded is smaller than that in a recording layer between the pickup and the recording layer on which data is being recorded.

[9] The recording layer includes unrecorded regions on the inner and outer circumferences of a user data area, wherein each unrecorded region corresponds to about half the number of tracks contained in a recording beam passing through the outer layer.

$$\text{Number of Tracks} = \frac{2SL \tan \left[\sin^{-1} \left(\frac{NA}{n} \right) \right]}{TP}$$

[10] where the unrecorded region contains the number of tracks, and SL, TP, NA, and n denote the thickness of a spacer layer between the plurality of recording layers, a track pitch, a numerical aperture of an objective lens, and a refractive index of the information storage medium, respectively. The size of a recorded region of each of the plurality of recording layers may decrease as a recording layer moves farther away from the pickup.

[11] According to another aspect of the present invention, there is provided a method

for recording/reproducing data on a recordable information storage medium with a plurality of recording layers using a pickup.

[12] In another embodiment, the present invention provides a method for recording/reproducing data on a recordable information storage medium including a plurality of recording layers using a pickup, each recording layer having an optimum power control (OPC) area for performing a test in order to determine optimum recording power. The method includes the steps of recording data on a recording layer located closest to the pickup and recording data whose capacity decreases in the order of recording layers from closest to farthest from the pickup.

[13] According to another aspect of the present invention, there is provided an apparatus for recording/reproducing data on/from a recordable information storage medium including a plurality of recording layers. The apparatus includes: a pickup that irradiates a beam onto the information storage medium; a recording/reproducing signal processor that receives a beam reflected from the information storage medium through the pickup for signal processing; and a controller that controls the pickup to record data in the order of recording layers from closest to farthest from the pickup and not to record data on predetermined regions located on the inner and outer circumferences of a user data area of a recording layer on which data is being recorded except a recording layer closest to the pickup.

[14] In another embodiment, the present invention provides an apparatus for recording/reproducing data on/from a recordable information storage medium including a plurality of recording layers, each recording layer having an optimum power control (OPC) area for performing a test in order to determine optimum recording power. The apparatus includes: a pickup that irradiates a beam onto the information storage medium; a recording/reproducing signal processor that receives a beam reflected from the information storage medium through the pickup for signal processing; and a controller that controls the pickup to record data in the order of recording layers from closest to farthest from the pickup and not to record data on predetermined regions located on the inner and outer circumferences of an OPC area of a recording layer on which data is being recorded except a recording layer closest to the pickup.

[15] Additional aspects and/or advantages of the invention will be set forth in part in the description which follows and, in part, will be obvious from the description, or may be learned by practice of the invention.

Advantageous Effects

[16] A method and apparatus for recording/reproducing data on/from a recordable information storage medium with a plurality of recording layers according to the present invention prevent data from being recorded on the inner and outer circumferences of a user data area of each recording layer, thereby providing the same recording/re-

producing characteristics across the entire user data area.

[17] The present invention makes it possible to obtain the accurate optimum recording power by applying the same method in performing an OPC test. Furthermore, the present invention provides a recordable information storage medium designed to maintain consistency with DVD-ROM by allowing data to be recorded/reproduced in the order of recording layers from closest to farthest from a pickup.

[18] Using the apparatus in recording/reproducing data on/from the recordable information storage medium improves the recording/reproducing performance of the information storage medium while making it possible to accurately perform a test to determine optimum recording power.

Description of Drawings

[19] The above and other features and/or other aspects and advantages of the present invention will become more apparent and more readily appreciated from the following description of the embodiments taken in conjunction with the accompanying drawings in which:

[20] FIG. 1 illustrates a layout of a dual layer information storage medium for explaining a method of recording/reproducing data on/from an information storage medium according to the present invention;

[21] FIG. 2 is a schematic diagram of an apparatus for recording/reproducing data on/from an information storage medium according to an embodiment of the present invention;

[22] FIG. 3 illustrates a schematic layout of a dual layer information storage medium according to a first embodiment of the present invention;

[23] FIG. 4 illustrates a schematic layout of a quadruple layer information storage medium according to the first embodiment of the present invention;

[24] FIG. 5 illustrates a schematic layout of a dual layer information storage medium according to a second embodiment of the present invention;

[25] FIG. 6 illustrates a schematic layout of a quadruple layer information storage medium according to the second embodiment of the present invention; and

[26] FIGS. 7A and 7B are layouts for explaining a method of performing a test on an information storage medium according to the present invention to determine optimum recording power.

Mode for Invention

[27] Reference will now be made in detail to the embodiments of the present invention, examples of which are illustrated in the accompanying drawings, wherein like reference numerals refer to the like elements throughout. The embodiments are described below to explain the present invention by referring to the figures.

- [28] A method of recording/reproducing data on/from an information storage medium having a plurality of recording layers according to the present invention allows data to be prerecorded on a portion of another recording layer through which a recording beam passes when irradiating a target recording layer with the beam to record the data.
- [29] A recordable information storage medium performs optimum power control (OPC) prior to recording data in order to find the optimal recording power. To perform OPC, data is written in an OPC area at a predetermined recording power and read back to test the reproducing characteristics. Before performing OPC, data is recorded on a region through which a beam for OPC passes.
- [30] When OPC is implemented in a recordable information storage medium having a plurality of recording layers, recording/reproducing characteristics after recording data may vary from one recording layer to another, for example, depending on the recording sequence or recording power. Since these variations may lead to inaccuracy in OPC, it is necessary to detect conditions that may cause recording/reproducing characteristics to change depending on the state of each recording layer and perform OPC considering the detected conditions.
- [31] To find conditions that affect the data recording/reproducing characteristics, experiments were made to write data on an information storage medium having first and second recording layers L1 and L2 as shown in FIG. 1 in a different order and at different recording power levels.
- [32] Recording conditions of the information storage medium are a linear velocity of 3.8 m/s, laser wavelength of 650 nm, and objective lens numerical aperture (NA) of 0.60. The information storage medium uses multipulse. That is, while recording power of 15.1 mW, T_{top} of 1.45 T, T_{mp} of 0.65 T, and T_{dtp} 3T of -0.03T are used for the first recording layer L1, recording power of 20mW, T_{top} of 1.65T, T_{mp} of 0.70T, T_{dtp} 3T of -0.03T are used for the second recording layer L2. T_{top} , T_{mp} , and T_{dtp} denote the duration of a top pulse, the duration of each pulse in the multipulse train, and time shifted from reference, respectively. A negative sign (-) in T_{dtp} means T_{dtp} is shifted to the left. Here, basic recording conditions are set as recording power and write strategy adjusted for minimum jitter by writing data only on a desired recording layer, and 1T denotes 38.5 ns.
- [33] Table 1 shows jitters, I3/I14 (modulations), asymmetries, and reflectivities measured after writing data on the first and second recording layers L1 and L2 under the above-mentioned conditions. As shown in FIG. 1, a pickup is located closer to the first recording layer L1, and reference numeral 10 denotes an objective lens.

[34]

Record	First recording layer (L1)	Second recording layer (L2)
--------	----------------------------	-----------------------------

ing state								
	Jitter	I3/I14	Asymmetry	Reflectivity	Jitter	I3/I14	Asymmetry	Reflectivity
L1 unrecorded, L2 recorded	7.9%	0.270	0.085	17.0%	8.1%	0.255	0.030	17.5%
Recording L2 after recording L1	8.0%	0.250	0.098	16.8%	8.3%	0.240	0.023	18.9%
Recording L1 after recording L2	8.1%	0.267	0.091	16.5%	8.9%	0.244	0.060	18.8%

[35] **Table 1**

[36] As is evident from Table 1, the first recording layer L1 maintains almost the same values of jitter, I3/I14, asymmetry, and reflectivity regardless of the recording state or sequence while the second recording layer L2 exhibits varying characteristics depending on the recording sequence. That is, when data is written sequentially from the first recording layer L1 to the second recording layer L2, the second recording layer L2 suffers from large variations in jitter, asymmetry, and reflectivity. When data is written in the reverse order, the second recording layer L2 suffers from less variation in these characteristics.

[37] Thus, to reduce variations in the recording/reproducing characteristics, data must be sequentially recorded from the first recording layer L1 to the second recording layer L2. Furthermore, data has been recorded on a region of the first recording layer L1 through which a recording beam passes before recording data on the second recording layer L2.

[38] Table 2 shows recording/reproducing characteristics measured after data is written at recording powers that are 120% and 150% of the normal power. During OPC, a test

is performed at different recording power levels to determine an optimum recording power value. In particular, since the information storage medium once used for a pre-determined period of time may require recording power to be higher than normal power due to surface contamination, it is necessary to perform the test at higher power.

[39]

Recording state	First recording layer (L1)				Second recording layer (L2)			
	Jitter	I3/I14	Asymmetry	Reflectivity	Jitter	I3/I14	Asymmetry	Reflectivity
Recording L1 after recording L2 (120%)	8.2%	0.259	0.097	16.3%	9.3%	0.250	0.052	18.8%
Recording L1 after recording L2 (150%)	8.2%	0.272	0.096	16.4%	9.8%	0.261	0.060	19.1%

[40]

Table 2

[41]

As is evident from Table 2, while the first recording layer L1 exhibits almost the same recording/reproducing characteristics even at higher recording powers, the second recording layer L2 suffers from great variations in reflectivity, asymmetry, and jitter when data is written sequentially on the first and second recording layers L1 and L2. As compared against recording at normal power, the jitter increases but reflectivity and asymmetry remains almost constant.

[42]

As shown in Tables 1 and 2 above, the first recording layer L1 is little affected by recording sequence or recording power whereas the second recording layer L2 is significantly affected by the same. In particular, when data is written sequentially on the first and second recording layers L1 and L2, the second recording layer L2 suffers from great variations in the recording/reproducing characteristics. These variations

result from transmittance that may change depending on whether a recording beam passes through a recorded or unrecorded portion of a recording layer. Low transmittance reduces the effect of recording power.

[43] Meanwhile, it is necessary to perform a test under the conditions that cause great variations in recording/reproducing characteristics. That is, if there is little change in the recording/reproducing characteristics under any conditions, it is possible to find the accurate optimum recording power without any special test conditions for determining the same. However, if the recording/reproducing characteristics vary according to the recording conditions, a test needs to be performed under conditions that cause large variations in the characteristics in order to determine the optimum recording power.

[44] Thus, when a test beam is emitted in order to find the optimum recording power, it is preferable that data has been written on at least a portion of a recording layer through which the test beam passes.

[45] Referring to FIG. 1, an information storage medium according to the present invention includes a first recording layer L1 comprising a lead-in area 10-L1, a user data area 20-L1, and a lead-out area 30-L1, a second recording layer L2 comprising a lead-in area 10-L2, a user data area 20-L2, and a lead-out area 30-L2, and a space layer 15 interposed between the first and second recording layers L1 and L2. Before recording data or performing OPC on the second recording layer L2, data is recorded on a portion of the first recording layer L1 through which a recording or test beam passes.

[46] Referring to FIG. 2, an information storage medium D includes first and second recording layers L1 and L2, and a pickup 50 for recording data is disposed adjacent the first recording layer L1. Before a recording beam or a test beam is irradiated in order to record data or perform OPC on the second recording layer L2, respectively, data is recorded on a portion of the first recording layer L1 through which the recording beam or the test beam passes. In this case, data may be recorded on tracks contained in the portion of the first recording layer L1 through which the recording beam or the test beam passes.

[47] Referring to FIG. 1, a number of tracks on the first recording layer L1 irradiated by the test beam when recording on the second recording layer L2 is given by Equation (1):

[48]

$$\text{Number of Tracks} = \frac{2X}{TP} = \frac{2SL \tan \theta}{TP}$$

... (1)

[49] where X is one-half the diameter of test beam at the first recording layer, and Q is one-half the included angle of the light beam as shown in FIG. 1, SL and TP denote the thickness of the space layer 15 between the first and second information storage layers L1 and L2 and a track pitch, respectively.

[50] When n and NA denote a refractive index of the information storage medium and a numerical aperture of the objective lens 10, respectively, using relational expression $NA = n \sin \theta$, Equation (1) may be rewritten as Equation (2):

[51]

$$\text{Number of Tracks} = \frac{2SL \tan \left[\sin^{-1} \left(\frac{NA}{n} \right) \right]}{TP}$$

... (2)

[52] Data may be written on an area of the first recording layer L1 corresponding to the number of tracks defined by Equation (2) before irradiating the second recording layer L2 with a test beam for OPC or a recording beam. Where $SL \tan \theta = 41.25 (\mu m)$ and $TP = 0.74 \mu m$, the number of tracks contained in the recording beam or the test beam is about 112.

[53] Meanwhile, referring to FIG. 3, user data area 20-L2 may include unrecorded regions on the innermost and outermost circumferences, each region containing a number X of tracks affected by the first recording layer L1 when recording data on the second recording layer L2 as described above.

[54] Thus, a recorded region in the user data area 20-L2 of the second recording layer L1 is smaller than that in the user data area 20-L1 of the first recording layer L1. More specifically, data are not recorded to regions containing X tracks on the inner and outer circumferences of the user data area 20-L2. The number X of tracks is given by Equation (3):

[55]

$$\text{Number of Tracks corresponding to X} = \frac{SL \tan \left[\sin^{-1} \left(\frac{NA}{n} \right) \right]}{TP}$$

... (3)

[56] Thus, the number of tracks corresponding to X on the second recording layer L2 is one-half the number of tracks through which the light beam passes at the first recording layer. While FIG. 3 shows the dual layer information storage medium with the first and second recording layers L1 and L2, the same structure is applicable to an information storage medium having three or more recording layers.

- [57] Referring to FIG. 4, an information storage medium includes a first recording layer L1 comprising a lead-in area 10-L1, a user data area 20-L1, and a lead-out area 30-L1, a second recording layer L2 comprising a lead-in area 10-L2, a user data area 20-L2, and a lead-out area 30-L2, a third recording layer L3 comprising a lead-in area 10-L3, a user data area 20-L3, and a lead-out area 30-L3, and a fourth recording layer L4 comprising a lead-in area 10-L4, a user data area 20-L4, and a lead-out area 30-L4. Data are not recorded on regions located on the inner and outer circumferences of the user data areas 20-L2, 20-L3, and 20-L4, the regions containing X1, X2, and X3 tracks, respectively.
- [58] Here, the size of a recorded region in a user data area decreases as a recording layer is farther away from a surface on which a beam is incident. In other words, the size of an unrecorded region increases as a recording layer is farther away from the surface on which the beam is incident ($X_3 > X_2 > X_1$).
- [59] While the size of a recorded region varies for each recording layer as described above, the size of recorded regions in user data areas of the remaining recording layers may be made equal to that in the user data area of a recording layer farthest away from the surface on which the recording beam is incident. For example, when data is not recorded on regions on the inner and outer circumferences of the user data area 20-L4 in the fourth recording layer L4, each region containing X3 tracks, data may not be recorded on regions located on the inner and outer circumferences of the second and third recording layers L2 and L3, each region containing X3 tracks.
- [60] FIG. 5 illustrates a schematic layout of a dual layer information storage medium according to a second embodiment of the present invention. Referring to FIG. 5, an information storage medium includes first and second recording layers L1 and L2, and the size of a recorded region in a user data area decreases as a recording layer is farther away from the surface on which a beam is incident. Furthermore, the sizes of a lead-in area and a lead-out area each increase as the recording layer is farther away from the surface on which a beam is incident. That is, when a recording beam or a test beam is incident first on the first recording layer L1, a user data area 20-L1 on the first recording layer L1 is larger than a user data area 20-L2 on the second recording layer L2, and a lead-in area 10-L1 and a lead-out area 30-L1 on the first recording layer L1 each are smaller than the counterparts 10-L2 and 30-L2 on the second recording layer L2. The user data area 20-L2 on the second recording layer L2 may be equal to the user data area 20-L1 on the first recording layer L1 minus areas corresponding to X on the inner and outer circumferences of the user data area 20-L1.
- [61] The same structure is also applicable to an information storage medium having three or more recording layers. FIG. 6 illustrates a schematic layout of a quadruple layer information storage medium including first through fourth recording layers

L1-L4 according to a second embodiment of the present invention. When a recording beam is first incident on the first recording layer L1, the size of a user data area decreases as a recording layer moves farther away from the surface on which the beam is incident ($20-L1 > 20-L2 > 20-L3 > 20-L4$) while the sizes of lead-in area and lead-out area each increase as a recording layer moves farther away from the same direction ($10-L1 < 10-L2 < 10-L3 < 10-L4$ and $30-L1 < 30-L2 < 30-L3 < 30-L4$).

[62] Meanwhile, referring to FIG. 7A, first and second recording layers L1 and L2 respectively include OPC regions 13-L1 and 13-L2 in either or both lead-in and lead-out areas. Before performing OPC on a desired recording layer, data is recorded on at least a portion of a recording layer through which a test beam for finding optimum recording power passes.

[63] A recorded region in an OPC area of a desired recording layer is smaller than that in an OPC area of the underlying recording layer. Referring to FIG. 7A, for example, a recorded region 14-L2 in the OPC area 13-L2 of the second recording layer L2 is smaller than a recorded region 14-L1 in the OPC area 13-L1 of the first recording layer L1. An unrecorded region in the OPC area 13-L2 corresponds to the number of tracks X (See Equation (3)) contained in a test beam.

[64] Alternatively, the first and second recording layers L1 and L2 each may have OPC areas separately from a lead-in area and a lead-out area. For example, the OPC areas each may be located inside the lead-in area and outside the lead-out area.

[65] The location of a recorded region 14-L2 in an OPC area 13-L2 of a second recording layer L2 shown in FIG. 7B is different from that shown in FIG. 7A.

[66] According to a method for recording/reproducing data on/from an information storage medium having a plurality of recording layers according to a preferred embodiment of the present invention, data is recorded using a pickup in the order of recording layers from closest to farthest from the pickup.

[67] The size of a recorded region in a user data area decreases in the order of recording layers from closest to farthest from the pickup. Each recording layer also has a lead-in area and a lead-out area on the inner and outer circumferences of a user data area, respectively, whose sizes increase as the recording layer is farther away from the pickup.

[68] Alternatively, data may be recorded on a user data area of a recording layer on which a recording beam is first incident and then on a user data area of an overlying recording layer except for the inner and outer circumferences. Thereby, the size of a recorded region in a user data area may decrease farther away from the recording layer on which the recording beam is first incident.

[69] When performing an OPC test before recording user data, data for the test is recorded in the order of recording layers from closest to farthest from the pickup. Except for a recording layer closest to the pickup, data is not recorded on pre-

determined regions located on the inner and outer circumferences of an OPC area of the recording layer on which a write operation is about to begin. Therefore, the size of a recorded region in an OPC area decreases as a recording layer is farther away from the pickup.

[70] In a DVD-ROM drive, a pickup is disposed adjacent a first recording layer and data is written from the first recording layer to the second recording layer. To maintain consistency with the DVD-ROM disk, the recordable information storage medium according to the present invention may be arranged to allow data to sequentially be recorded from the first recording layer L1 to the second recording layer L2.

[71] The same method for recording/reproducing data according to the present invention is applicable when the pickup is located adjacent the second recording layer L2. That is, data is first recorded on the second recording layer L2. Before performing OPC for recording on the first recording layer L1, data is recorded on at least a portion of the second recording layer L2 through which a test beam passes.

[72] Furthermore, the method is applicable to both opposite track path (OTP) and parallel track path (PTP) disks. While the present invention has been described with reference to a dual layer information storage medium, the method is applicable to a multi-layer medium having three or more recording layers.

[73] Referring to FIG. 2, an apparatus (i.e., a disk drive) for recording/reproducing data on/from an information storage medium D according to an embodiment of the present invention includes a pickup 50, a recording/reproducing signal processor 60, and a controller 70. More specifically, the pickup 50 includes a laser diode 51 that emits a beam, a collimating lens 52 that collimates the beam emitted by the laser diode 51 to a parallel beam, a beam splitter 54 that changes the propagation path of an incident beam, and an objective lens 56 that focuses the beam passing through the beam splitter 54 onto the information storage medium D.

[74] The beam reflected from the information storage medium D is reflected by the beam splitter 54 and is incident on the photodetector 57 (e.g. a quadrant photodetector). The beam received by the photodetector 57 is converted into an electrical signal by an operational circuit 58 and output as an RF or sum signal through channel Ch1 and as a push-pull signal through a differential signal channel Ch2.

[75] The controller 70 controls the pickup 50 to record data and to reduce data area in the order of recording layers from closest to farthest from the pickup 50. Also, the controller 70 controls the pickup 50 not to record data on predetermined regions located on the inner and outer circumferences of a user data area of a recording layer on which data is being recorded except the recording layer closest to the pickup 50. Alternatively, the sizes of a lead-in area and a lead-out area may increase in the order of recording layers from closest to farthest from the pickup 50. Here, the size of an

unrecorded region or a difference in the capacity of data to be recorded on a user data area between adjacent recording layers may correspond to the number X of tracks that passes over a recording beam as described above.

[76] The controller 70 performs a test on a test area in the information storage medium D to determine the optimum recording power before recording on the information storage medium D having the first and second recording layers L1 and L2. The controller 70 also controls the pickup 50 not to record data on predetermined regions located on the inner and outer circumferences of an OPC area of a recording layer on which data is being recorded during OPC except for a recording layer on which data is recorded for the first time.

[77] The controller 70 allows a recording beam to be irradiated from the pickup 50 at normal power obtained during the test, so that data may be recorded on the information storage medium D using the recording beam.

[78] In order to reproduce the thus recorded data, a beam reflected from the information storage medium D passes through the objective lens 56 and the beam splitter 54 and is incident on the photodetector 57. The beam input to the photodetector 57 is then converted into an electrical signal by the operational circuit 58 and output as an RF signal.

[79] Although a few embodiments of the present invention have been shown and described, it would be appreciated by those skilled in the art that changes may be made in these embodiments without departing from the principles and spirit of the invention, the scope of which is defined in the claims and their equivalents.

Industrial Applicability

[80]

Claims

- [1] An information storage medium having a plurality of recording layers, each layer comprising:
 a user data area, on which data is recordable by a pickup, wherein the data is recorded in the order of recording layers from closest to farthest from the pickup, wherein:
 a recordable region in the user data area of a first recording layer on which the data is to be recorded is smaller than a recordable region in a user data area of a second recording layer between the pickup and the first recording layer.
- [2] The information storage medium of claim 1, wherein the first recording layer comprises unrecorded regions on inner and outer circumferences of the user data area, wherein each unrecorded region corresponds to about one-half a number of tracks through which a recording beam would pass on the second recording layer to record information on the first recording layer.
- [3] The information storage medium of claim 1, wherein the first recording layer comprises unrecorded regions on inner and outer circumferences of the user data area, wherein each unrecorded region comprises about a number of tracks determined according to an equation:

$$\text{Number of Tracks} = \frac{SL \tan \left[\sin^{-1} \left(\frac{NA}{n} \right) \right]}{TP}$$

where SL, TP, NA, and n denote a thickness of a spacer layer between adjacent recording layers, a track pitch, a numerical aperture of an objective lens in the pickup, and a refractive index of the information storage medium, respectively.

- [4] The information storage medium of claim 1, wherein a size of a recordable region of each of the plurality of recording layers decreases as a recording layer is farther away from the pickup.
- [5] An information storage medium comprising:
 a plurality of recording layers, each having an optimum power control (OPC) area for performing a test to determine optimum recording power, wherein the OPC area of a first recording layer on which data is to be recorded by a pickup is increased relative to the OPC area of a second recording layer between the pickup and the first recording layer.
- [6] The information storage medium of claim 5, wherein the OPC area of the first recording layer is increased relative to the OPC area of second recording layer by an amount corresponding to about one-half a number of tracks through which a

recording beam would pass on the second recording layer to record the data on the first recording layer.

- [7] The information storage medium of claim 5, wherein:
the OPC area of the first recording layer is increased relative to the OPC of the second recording layer by about a number of tracks determined by an equation:

$$\text{Number of Tracks} = \frac{SL \tan \left[\sin^{-1} \left(\frac{NA}{n} \right) \right]}{TP}$$

where SL, TP, NA, and n denote a thickness of a spacer layer between adjacent recording layers, a track pitch, a numerical aperture of an objective lens in the pickup, and a refractive index of the information storage medium, respectively.

- [8] The information storage medium of claim 5, wherein the size of a user data area of each of the plurality of recording layers decreases as a recording layer is farther away from the pickup.

- [9] A method of recording/reproducing data on/from a recordable information storage medium with a plurality of recording layers using a pickup, the method comprising:
recording a first amount of data on a recording layer located closest to the pickup; and
recording lesser amounts of data than the first amount of data on other ones of the plurality of recording layers, the recorded amount of data on each of the other ones of the plurality of recording layers progressively decreasing from the layer closest to the pickup to a layer farthest from the pickup.

- [10] The method of claim 9, further comprising:
providing an unrecorded region on inner and outer circumferences of a user data area of the other ones of the plurality of recording layers, wherein each unrecorded region corresponds to about one-half a number of tracks through which a recording beam passes on a recording layer closer to the pickup.

- [11] The method of claim 9, further comprising:
providing an unrecorded region on inner and outer circumferences of a user data area of the other ones of the plurality of recording layers, wherein each unrecorded region of a first layer of the other ones of the plurality of recording layers comprises a number of tracks determined according to an equation:

$$\text{Number of Tracks} = \frac{SL \tan \left[\sin^{-1} \left(\frac{NA}{n} \right) \right]}{TP}$$

where SL, TP, NA, and n denote a thickness of a spacer layer between the plurality of recording layers, a track pitch, a numerical aperture of an objective lens, and a refractive index of the information storage medium, respectively.

[12] The method of claim 10, wherein a difference in the size of a user data area between adjacent recording layers corresponds to a respective difference in a size of the corresponding unrecorded regions of the adjacent layers.

[13] A method of recording/reproducing data on/from a recordable information storage medium including a plurality of recording layers using a pickup, each recording layer having an optimum power control (OPC) area for performing a test in order to determine optimum recording power, the method comprising: recording data on a first recording layer located closest to the pickup; and recording the data on other recording layers so that a size of the OPC area increases in the order of recording layers from closest to farthest from the pickup.

[14] The method of claim 13, wherein a second recording layer comprises unrecorded regions on inner and outer circumferences of a user data area, wherein each unrecorded region corresponds to about half a number of tracks through which a test beam passes on the first recording layer to record on the second recording layer.

[15] The method of claim 13, wherein a second recording layer comprises unrecorded regions on inner and outer circumferences of a user data area, wherein each unrecorded region corresponds a number of tracks determined according to an equation:

$$\text{Number of Tracks} = \frac{SL \tan \left[\sin^{-1} \left(\frac{NA}{n} \right) \right]}{TP}$$

where SL, TP, NA, and n denote a thickness of a spacer layer between adjacent recording layers, a track pitch, a numerical aperture of an objective lens, and a refractive index of the information storage medium, respectively.

[16] An apparatus for recording/reproducing data on/from a recordable information storage medium including a plurality of recording layers, the apparatus comprising:

a pickup that irradiates a beam onto the information storage medium;
 a recording/reproducing signal processor that receives a beam reflected from the information storage medium through the pickup for signal processing; and
 a controller that controls the pickup to record data in the order of recording layers from closest to farthest from the pickup and not to record data on pre-

determined regions located on inner and outer circumferences of a user data area of the recording layer on which data is being recorded except the recording layer closest to the pickup.

- [17] An apparatus for recording/reproducing data on/from a recordable information storage medium including a plurality of recording layers, each recording layer having an optimum power control (OPC) area for performing a test in order to determine optimum recording power, the apparatus comprising:
 a pickup that irradiates a beam onto the information storage medium;
 a recording/reproducing signal processor that receives a beam reflected from the information storage medium through the pickup for signal processing; and
 a controller that controls the pickup to record data in the order of the recording layers from closest to farthest from the pickup and not to record data on pre-determined regions located on inner and outer circumferences of the OPC area of a recording layer on which data is being recorded except a recording layer closest to the pickup.
- [18] An information storage medium including a plurality of recording layers, each having a user data area, on which data is recordable by a pickup, wherein a capacity of data to be recorded on the user data area decreases in the order of recording layers from closest to farthest from a direction a recording beam is emitted.
- [19] The information storage medium of claim 18, wherein a lead-in area and a lead-out area are respectively located on the inner and outer circumferences of the user data area.
- [20] The information storage medium of claim 19, wherein an optimum power control (OPC) area for performing a test in order to determine optimum recording power is located separately from the lead-in area and the lead-out area.
- [21] The information storage medium of claim 20, wherein a difference in the capacity of data to be recorded on the user data area between an inward layer and an adjacent outward layer is determined based on a number of tracks of the adjacent outward layer through which the recording beam passes to record data on the inward layer.
- [22] The information storage medium of claim 21, wherein the number of tracks through which the recording beam passes is determined according to an equation:

$$\text{Number of Tracks} = \frac{SL \tan \left[\sin^{-1} \left(\frac{NA}{n} \right) \right]}{TP}$$

where SL, TP, NA, and n denote a thickness of a spacer layer between the

inward layer and the outward layer, a track pitch, a numerical aperture of an objective lens, and a refractive index of the information storage medium, respectively.

- [23] The information storage medium of claim 21, wherein:
the capacity of data to be recorded on the user data area of the inward layer is the capacity of data to be recorded on the user data area of the outward layer, reduced by about one-half the number of tracks of the adjacent outward layer through which the recording beam passes to record data on the inward layer.
- [24] A method for recording/reproducing data on/from a recordable information storage medium with a plurality of recording layers using a pickup, the method comprising:
recording data on a recording layer located closest to the pickup; and
recording data on inward layers so that the size of a recorded region on the inward layers decreases in the order of recording layers from closest to farthest from the pickup.
- [25] An apparatus for recording/reproducing data on/from a recordable information storage medium including a plurality of recording layers, the apparatus comprising:
a pickup that irradiates a beam onto the information storage medium;
a recording/reproducing signal processor that receives a beam reflected from the information storage medium through the pickup for signal processing; and
a controller that controls the pickup to record data in the order of recording layers from closest to farthest from the pickup so that the size of a recorded region decreases according to a distance of a respective recording layer from the pickup.
- [26] A recordable optical disk having a plurality of recording layers, each layer comprising:
a user recordable area; and
an optimum power control (OPC) area for performing a test in order to determine optimum recording power, wherein:
the OPC area of an inwardly disposed one of the plurality of recording layers is greater than the OPC area of an outwardly disposed one of the plurality of recording layers.
- [27] The optical disk of claim 26, wherein a difference between the OPC area of the inwardly disposed layer and the OPC area of the outwardly disposed layer is directly proportional to a spacing between the inwardly disposed layer and the outwardly disposed layer and inversely proportional to a track pitch of the recordable optical disk.

- [28] A method of recording data on a recordable optical disk having a plurality of recording layers using an optical pickup having an objective lens which irradiates a light beam onto the recordable optical disk, the method comprising: assigning an optimum power control (OPC) area for each recording layer, the OPC area for performing a test to determine optimum recording power to a respective layer, wherein the OPC area of an inwardly disposed one of the plurality of recording layers is assigned a greater area than the OPC area of an outwardly disposed one of the plurality of recording layers.
- [29] The method of claim 28, further comprising: assigning the OPC areas so that a difference between the OPC area of the inwardly disposed layer and the OPC of the outwardly disposed layer increases with an increasing numerical aperture of the objective lens, decreases with an increasing track pitch of the recordable optical disk, decreases with an increasing refractive index of the recordable optical disk and increases with an increase in spacing between the inwardly disposed layer and the outwardly disposed layer.
- [30] An apparatus for recording data on a recordable optical disk having a plurality of recording layers, the apparatus comprising: an optical pickup comprising an objective lens which irradiates a light beam onto the recordable optical disk; and a controller which assigns an optimum power control (OPC) area for each recording layer, the OPC area for performing a test to determine optimum recording power to a respective layer, wherein the controller assigns the OPC area of an inwardly disposed one of the plurality of recording layers a greater area than the OPC area of an outwardly disposed one of the plurality of recording layers.
- [31] The apparatus of claim 28, wherein: the controller assigns the OPC areas so that a difference between the OPC area of the inwardly disposed layer and the OPC of the outwardly disposed layer increases with an increasing numerical aperture of the objective lens, decreases with an increasing track pitch of the recordable optical disk, decreases with an increasing refractive index of the recordable optical disk and increases with an increase in spacing between the inwardly disposed layer and the outwardly disposed layer.

FIG. 1

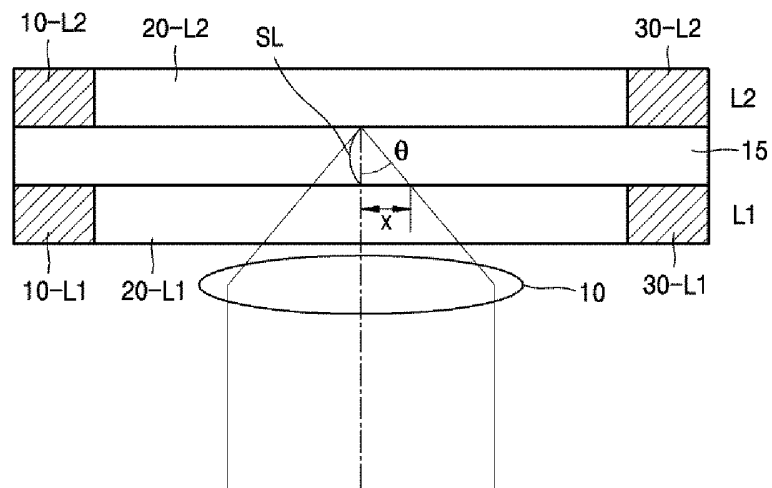


FIG. 2

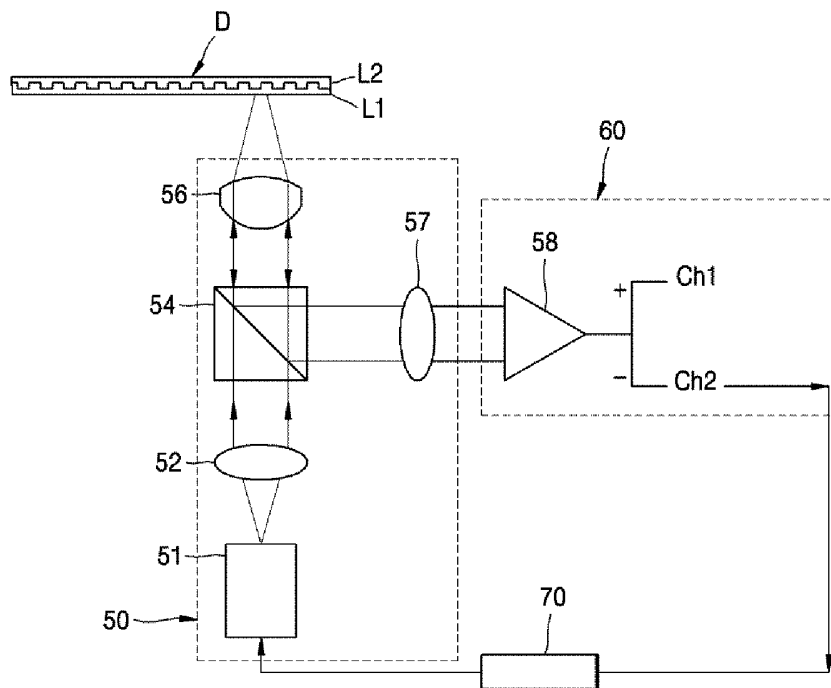


FIG. 3

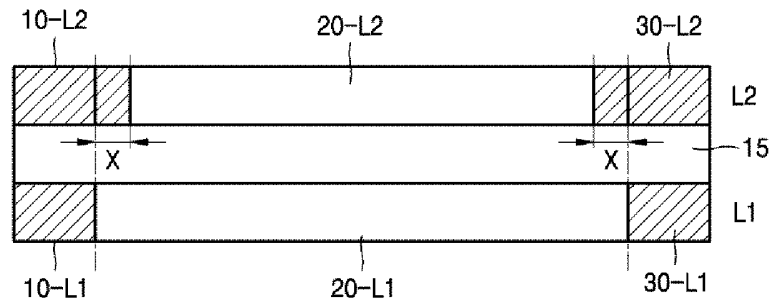


FIG. 4

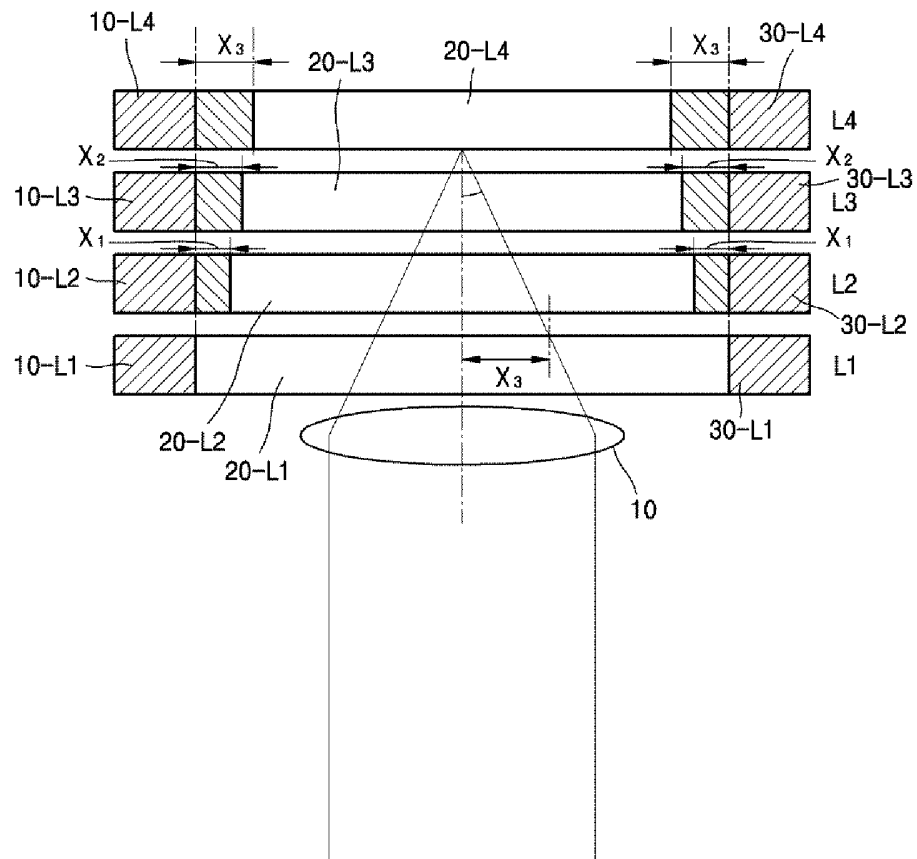


FIG. 5

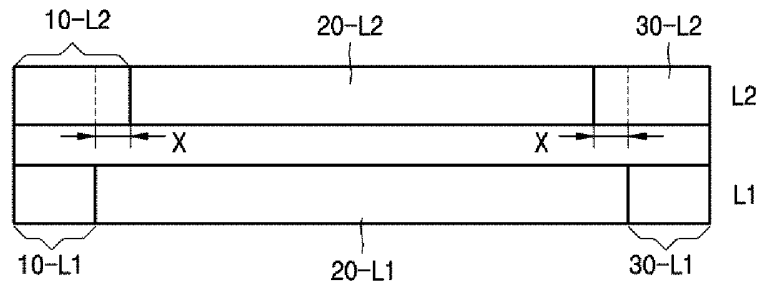


FIG. 6

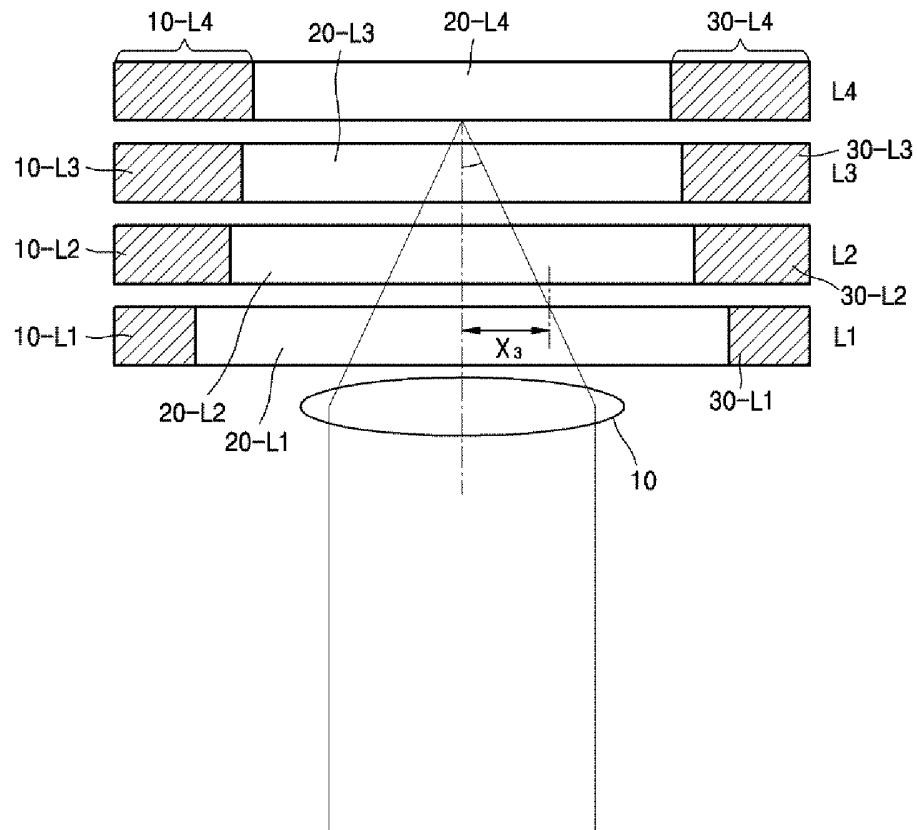


FIG. 7A

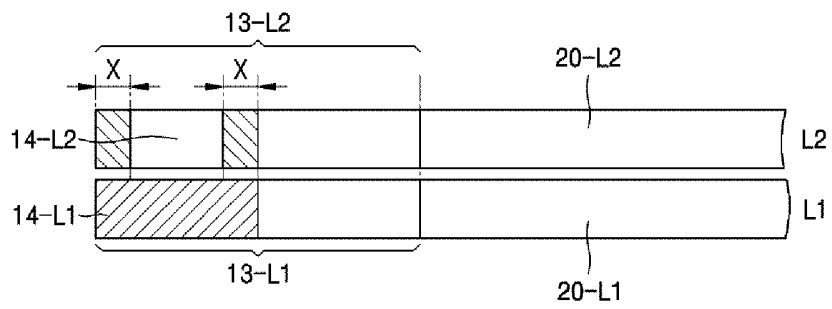
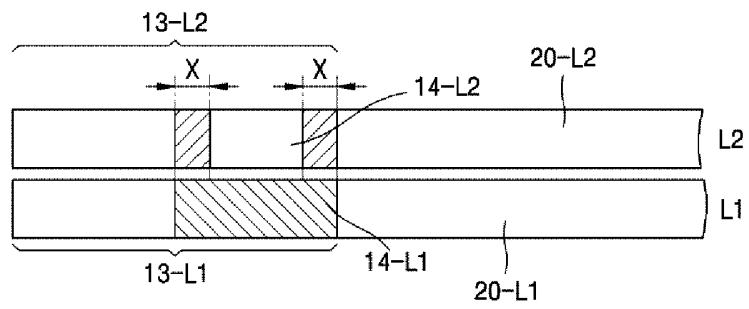


FIG. 7B



INTERNATIONAL SEARCH REPORT

International application No.
PCT/KR2005/001198**A. CLASSIFICATION OF SUBJECT MATTER****IPC7 G11B 7/004**

According to International Patent Classification (IPC) or to both national classification and IPC

B. FIELDS SEARCHED

Minimum documentation searched (classification system followed by classification symbols)

G11B7/007 G11B7/0045 G11B20/10 G11B20/12 G11B7/004 G11B7/24 G11B7/005

Documentation searched other than minimum documentation to the extent that such documents are included in the fields searched

Electronic data base consulted during the international search (name of data base and, where practicable, search terms used)

PAJ, FPD&GP "multi-layer(plurality), data area(region), OPC, lead-in, lead-out, layer, address, unrecorded region, pickup"

C. DOCUMENTS CONSIDERED TO BE RELEVANT

Category*	Citation of document, with indication, where appropriate, of the relevant passages	Relevant to claim No.
A	WO 02/23542 A1 (MATSUSHITA ELECTRIC INDUSTRIAL CO LTD) 21 March 2002 see the full document including Fig.8 and Fig.14.	1-31
P(A)	JP 2004-342217 A (SONY CORPORATION) 02 December 2004 see the full document including Fig.3	1, 5, 9, 13, 16-18, 24-26, 28, 30
P(A)	JP 2004-280865 A (SONY CORPORATION) 07 October 2004 see the full document including Fig.13	1, 5, 9, 13, 16-18, 24-26, 28, 30
P(A)	JP 2004-247024 A (MITSUBISHI CHEMICALS CORPORATION) 02 September 2004 see the full document including Fig.9	1, 9, 16, 18, 24, 25, 30

 Further documents are listed in the continuation of Box C. See patent family annex.

* Special categories of cited documents:

"A" document defining the general state of the art which is not considered to be of particular relevance

"E" earlier application or patent but published on or after the international filing date

"L" document which may throw doubts on priority claim(s) or which is cited to establish the publication date of citation or other special reason (as specified)

"O" document referring to an oral disclosure, use, exhibition or other means

"P" document published prior to the international filing date but later than the priority date claimed

"T" later document published after the international filing date or priority date and not in conflict with the application but cited to understand the principle or theory underlying the invention

"X" document of particular relevance; the claimed invention cannot be considered novel or cannot be considered to involve an inventive step when the document is taken alone

"Y" document of particular relevance; the claimed invention cannot be considered to involve an inventive step when the document is combined with one or more other such documents, such combination being obvious to a person skilled in the art

"&" document member of the same patent family

Date of the actual completion of the international search

08 AUGUST 2005 (08.08.2005)

Date of mailing of the international search report

08 AUGUST 2005 (08.08.2005)

Name and mailing address of the ISA/KR

Korean Intellectual Property Office
920 Dunsan-dong, Seo-gu, Daejeon 302-701,
Republic of Korea

Facsimile No. 82-42-472-7140

Authorized officer

LEE, Beak Su

Telephone No. 82-42-481-8188



INTERNATIONAL SEARCH REPORT

Information on patent family members

International application No.

PCT/KR2005/001198

Patent document cited in search report	Publication date	Patent family member(s)	Publication date
WO 02/23542 A1	21/03/2003	EP 1318509 A1 KR 1020030033060 A US 2003185121 AA CN 1447968 A AU 200186209 A1	06/11/2003 26/04/2003 02/10/2003 08/10/2003 26/03/2002
JP 2004-342217 A	02/12/2004	NONE	
JP 2004-280865 A	07/10/2004	EP 1505597 A1 BR 200403955 A WO 2004081937 A1	09/02/2005 01/03/2005 23/09/2004
JP 2004-247024 A	02/09/2004	NONE	