

(19) World Intellectual Property Organization  
International Bureau



(43) International Publication Date  
5 November 2009 (05.11.2009)

(10) International Publication Number  
**WO 2009/135220 A3**

- (51) **International Patent Classification:**  
*E21B 19/16* (2006.01)      *E21B 33/127* (2006.01)  
*E21B 21/10* (2006.01)      *E21B 3/02* (2006.01)  
*E21B 33/126* (2006.01)
- (21) **International Application Number:**  
PCT/US2009/042748
- (22) **International Filing Date:**  
4 May 2009 (04.05.2009)
- (25) **Filing Language:** English
- (26) **Publication Language:** English
- (30) **Priority Data:**  
61/126,223      2 May 2008 (02.05.2008)      US
- 61/126,301      2 May 2008 (02.05.2008)      US  
61/050,121      2 May 2008 (02.05.2008)      US
- (71) **Applicant** (for all designated States except US):  
**WEATHERFORD/LAMB, INC.** [US/US]; 515 Post Oak Boulevard, Suite 600, Houston, TX 77027 (US).
- (72) **Inventors; and**  
(75) **Inventors/Applicants** (for US only): **OLSTAD, Delaney, Michael** [US/US]; 2203 Rock Haven, Clear Lake, TX 77062 (US). **THOMPSON, Russell, W.** [US/US]; 5315 Bay Pines Dr., Katy, TX 77041 (US). **MORGAN, Russell, Lee** [US/US]; 15007 Mills Park Lane, Cypress, TX 77429 (US). **HOLLINGSWORTH, Jim** [US/US]; 12515 North Raven Shore Drive, Cypress, TX 77433 (US). **BOUTWELL, Doyle, Frederic** [US/US]; 3115 Eagle

[Continued on next page]

(54) **Title:** FILL UP AND CIRCULATION TOOL AND MUDSAVER VALVE

(57) **Abstract:** A fill -up and circulation tool (100) includes a mandrel (105); a packer assembly (150) is disposed around the mandrel; and a valve assembly (200) connected to the mandrel, wherein the valve assembly is configured to selectively control fluid flow into the tool and out of the tool.

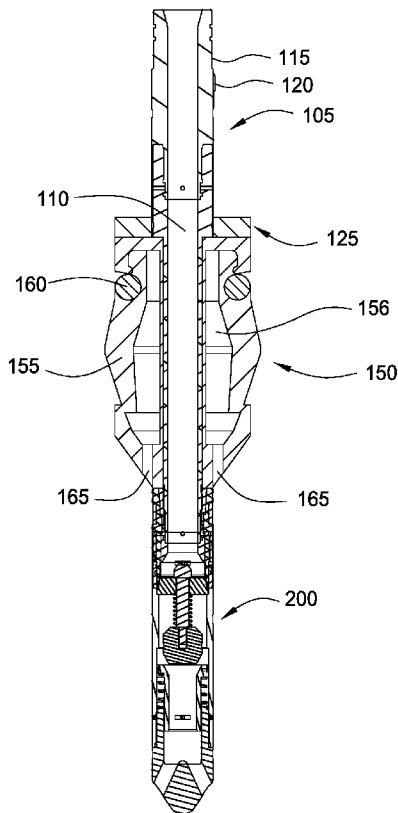


FIG. 1



WO 2009/135220 A3



Ridge Way, Houston, TX 77084 (US). **HAYES, Michael** [US/US]; 11530 Aucuba Lane, Houston, TX 77095 (US). **LIESS, Martin** [DE/DE]; Stoeckener Str. 12, 30926 Seeize (DE). **HOOKER, John, D.** [DE/DE]; Frankfurter Str. 31, 30853 Langenhagen (DE).

(74) **Agents:** **PATTERSON, William, B.** et al.; Patterson & Sheridan, LLP, 3040 Post Oak Blvd., Suite 1500, Houston, TX 77056 (US).

(81) **Designated States** (*unless otherwise indicated, for every kind of national protection available*): AE, AG, AL, AM, AO, AT, AU, AZ, BA, BB, BG, BH, BR, BW, BY, BZ, CA, CH, CN, CO, CR, CU, CZ, DE, DK, DM, DO, DZ, EC, EE, EG, ES, FI, GB, GD, GE, GH, GM, GT, HN, HR, HU, ID, IL, IN, IS, JP, KE, KG, KM, KN, KP, KR, KZ, LA, LC, LK, LR, LS, LT, LU, LY, MA, MD, ME, MG, MK, MN, MW, MX, MY, MZ, NA, NG, NI, NO, NZ, OM, PG, PH, PL, PT, RO, RS, RU, SC, SD, SE, SG, SK, SL, SM, ST, SV, SY, TJ, TM, TN, TR, TT, TZ, UA, UG, US, UZ, VC, VN, ZA, ZM, ZW.

(84) **Designated States** (*unless otherwise indicated, for every kind of regional protection available*): ARIPO (BW, GH, GM, KE, LS, MW, MZ, NA, SD, SL, SZ, TZ, UG, ZM, ZW), Eurasian (AM, AZ, BY, KG, KZ, MD, RU, TJ, TM), European (AT, BE, BG, CH, CY, CZ, DE, DK, EE, ES, FI, FR, GB, GR, HR, HU, IE, IS, IT, LT, LU, LV, MC, MK, MT, NL, NO, PL, PT, RO, SE, SI, SK, TR), OAPI (BF, BJ, CF, CG, CI, CM, GA, GN, GQ, GW, ML, MR, NE, SN, TD, TG).

**Published:**

- with international search report (*Art. 21(3)*)
- before the expiration of the time limit for amending the claims and to be republished in the event of receipt of amendments (*Rule 48.2(h)*)

(88) **Date of publication of the international search report:**  
9 September 2011

**INTERNATIONAL SEARCH REPORT**

International application No  
PCT/US2009/042748

A. CLASSIFICATION OF SUBJECT MATTER  
 INV. E21B19/16 E21B21/10 E21B33/126 E21B33/127  
 ADD. E21B3/02

According to International Patent Classification (IPC) or to both national classification and IPC

B. FIELDS SEARCHED

Minimum documentation searched (classification system followed by classification symbols)  
 E21B

Documentation searched other than minimum documentation to the extent that such documents are included in the fields searched

Electronic data base consulted during the international search (name of data base and, where practical, search terms used)  
 EPO-Internal

C. DOCUMENTS CONSIDERED TO BE RELEVANT

Category*	Citation of document, with indication, where appropriate, of the relevant passages	Relevant to claim No.
X	EP 1 260 671 A1 (HALLIBURTON ENERGY SERV INC [US]) 27 November 2002 (2002-11-27)	1,3-11
Y	figures 2-4	2,13-15
X	US 3 385 370 A (CARTER KNOX LLOYD ET AL) 28 May 1968 (1968-05-28)	12
Y	figures 1-4	2,13-15
A	US 5 584 343 A (COONE MALCOLM G [US]) 17 December 1996 (1996-12-17)	1-15
A	US 6 666 273 B2 (LAUREL DAVID F [US]) 23 December 2003 (2003-12-23)	1-15
A	WO 00/47865 A1 (GUS MULLINS & ASSOCIATES INC [US]) 17 August 2000 (2000-08-17)	1-15

Further documents are listed in the continuation of Box C.

See patent family annex.

\* Special categories of cited documents :

"A" document defining the general state of the art which is not considered to be of particular relevance

"E" earlier document but published on or after the international filing date

"L" document which may throw doubts on priority claim(s) or which is cited to establish the publication date of another citation or other special reason (as specified)

"O" document referring to an oral disclosure, use, exhibition or other means

"P" document published prior to the international filing date but later than the priority date claimed

"T" later document published after the international filing date or priority date and not in conflict with the application but cited to understand the principle or theory underlying the invention

"X" document of particular relevance; the claimed invention cannot be considered novel or cannot be considered to involve an inventive step when the document is taken alone

"Y" document of particular relevance; the claimed invention cannot be considered to involve an inventive step when the document is combined with one or more other such documents, such combination being obvious to a person skilled in the art.

"&" document member of the same patent family

Date of the actual completion of the international search  6 July 2011	Date of mailing of the international search report  12/07/2011
--	--

Name and mailing address of the ISA/ European Patent Office, P.B. 5818 Patentlaan 2 NL - 2280 HV Rijswijk Tel. (+31-70) 340-2040, Fax: (+31-70) 340-3016	Authorized officer  Dantine, Patrick
--	--

# INTERNATIONAL SEARCH REPORT

Information on patent family members

International application No PCT/US2009/042748
---

Patent document cited in search report	Publication date	Patent family member(s)	Publication date
EP 1260671	A1	27-11-2002	CA 2387195 A1 24-11-2002
			DE 60201146 D1 14-10-2004
			DE 60201146 T2 20-01-2005
			NO 20022287 A 25-11-2002
			US 2002174988 A1 28-11-2002
-----			
US 3385370	A	28-05-1968	NONE
-----			
US 5584343	A	17-12-1996	NONE
-----			
US 6666273	B2	23-12-2003	AU 2003227901 A1 11-11-2003
			WO 03095790 A1 20-11-2003
			US 2003209350 A1 13-11-2003
-----			
WO 0047865	A1	17-08-2000	AT 275237 T 15-09-2004
			DE 69919906 D1 07-10-2004
			DE 69919906 T2 01-09-2005
			EP 1159509 A1 05-12-2001
			NO 20013895 A 04-10-2001
			US 6173777 B1 16-01-2001
-----			