



US00D998686S

(12) **United States Design Patent**
Wang et al.

(10) **Patent No.:** **US D998,686 S**
(45) **Date of Patent:** **** Sep. 12, 2023**

(54) **PHOTOGRAPHY TRIPOD**
(71) Applicant: **SHENZHEN NEEWER TECHNOLOGY CO. LTD**, Shenzhen (CN)
(72) Inventors: **Jun Wang**, Shenzhen (CN); **Yan Ke**, Shenzhen (CN)

D917,604 S * 4/2021 Zeng D16/244
D962,329 S * 8/2022 Feng D16/244
D967,243 S 10/2022 Wang et al.
D971,993 S * 12/2022 Su D16/244
D971,994 S * 12/2022 Wu D16/244
D971,995 S * 12/2022 Wu D16/244
D973,756 S * 12/2022 Wang D16/244
2018/0080601 A1* 3/2018 Bosnakovic F16M 11/04

* cited by examiner

(**) Term: **15 Years**

Primary Examiner — Mary Shannon Malley
Assistant Examiner — Christopher John Suarez La Rosa
(74) *Attorney, Agent, or Firm* — Xiaofang Zhong

(21) Appl. No.: **29/881,795**

(22) Filed: **Jan. 6, 2023**

(51) **LOC (14) Cl.** **16-05**

(52) **U.S. Cl.**
USPC **D16/244**

(58) **Field of Classification Search**
USPC D16/221–250
CPC A45F 5/00; F16M 13/00; F16M 13/02;
F16M 11/04; F16M 11/08; F16M 11/10;
F16M 11/12; F16M 11/14; F16M 11/16;
F16M 11/18; F16M 11/28; F16M 11/32;
F16M 11/34; F16M 11/38; F16M 11/105;
F16M 11/242; F16M 11/245; F16M
11/2014; G03B 17/561; G03B 17/566;
G09B 11/02; F16C 11/106
See application file for complete search history.

(57) **CLAIM**

The ornamental design for photography tripod, as shown and described.

DESCRIPTION

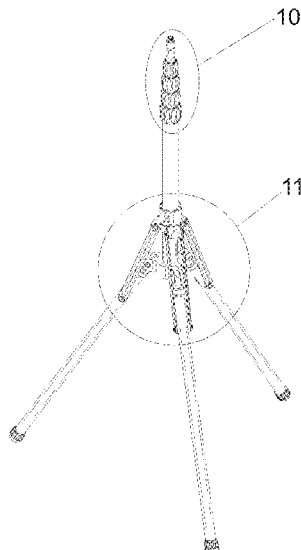
FIG. 1 is a front, left and top perspective view of a photography tripod showing my new design;
FIG. 2 is a rear, right and bottom perspective view thereof;
FIG. 3 is a front, left and top perspective view thereof, shown in folded configuration;
FIG. 4 is a front elevation view of FIG. 1;
FIG. 5 is a rear elevational view thereof;
FIG. 6 is a left view thereof;
FIG. 7 is a right view thereof;
FIG. 8 is a top plan view thereof;
FIG. 9 is a bottom plan view thereof;
FIG. 10 is an enlarged view of a portion labeled as 10 on FIG. 1;
FIG. 11 is an enlarged view of a portion labeled as 11 on FIG. 1; and,
FIG. 12 is an enlarged view of a portion labeled as 12 on FIG. 2.
The long dash-short dash lines in FIGS. 1, 2, and 10-12 depict the boundaries of the enlargements and form no part of the claimed design.

(56) **References Cited**

U.S. PATENT DOCUMENTS

D632,720 S 2/2011 Barker
D704,486 S * 5/2014 Cho D6/708.25
D720,384 S 12/2014 Holmen
D821,483 S * 6/2018 Vitale D16/244
D829,266 S 9/2018 Zeng
D901,578 S * 11/2020 Wang D16/244
D902,986 S 11/2020 Zeng
D907,106 S * 1/2021 Li D16/244
D908,274 S * 1/2021 Wang D26/63
D911,428 S * 2/2021 Xiao D16/244
D916,172 S 4/2021 Zeng

1 Claim, 12 Drawing Sheets



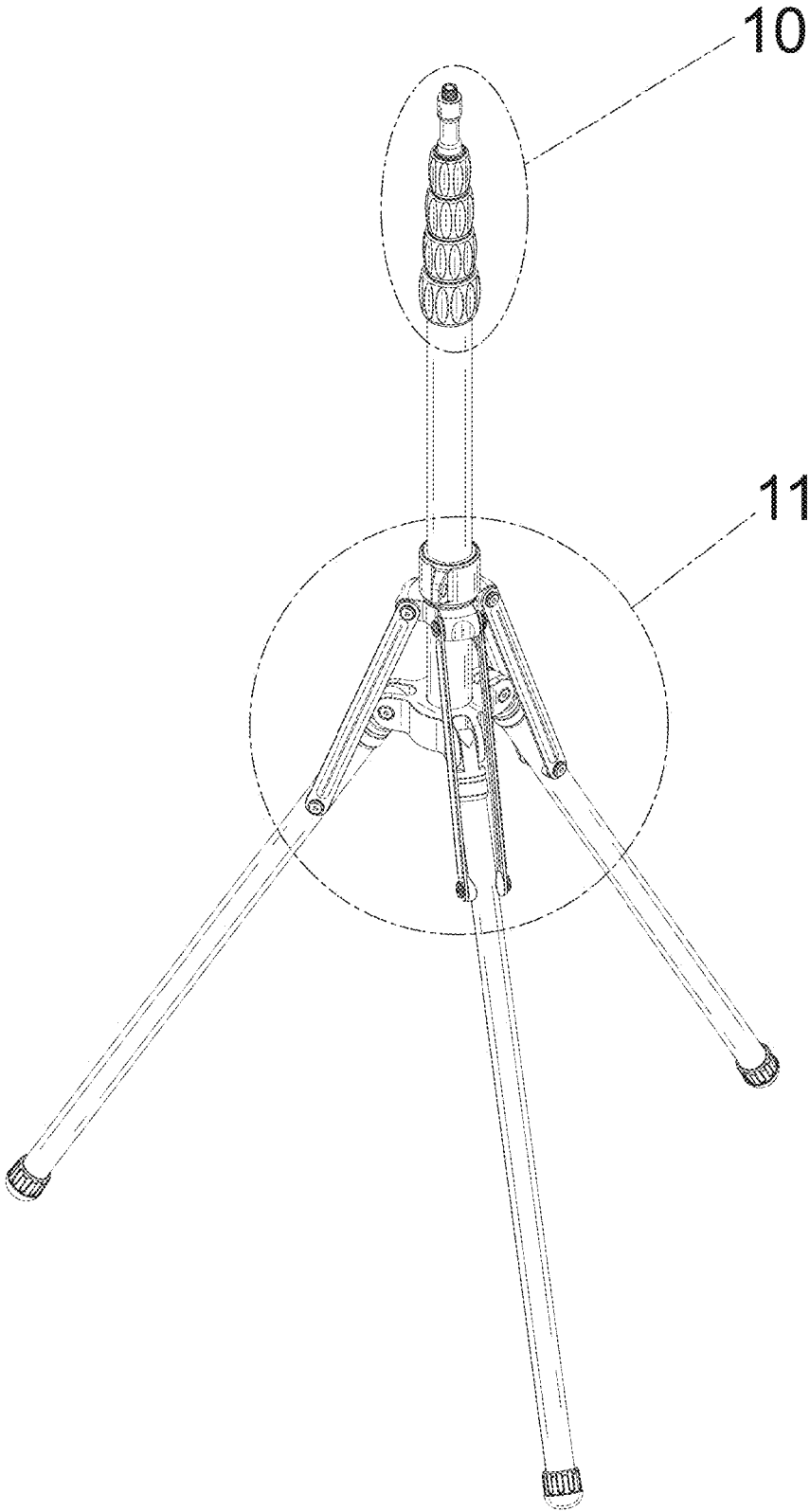


FIG. 1

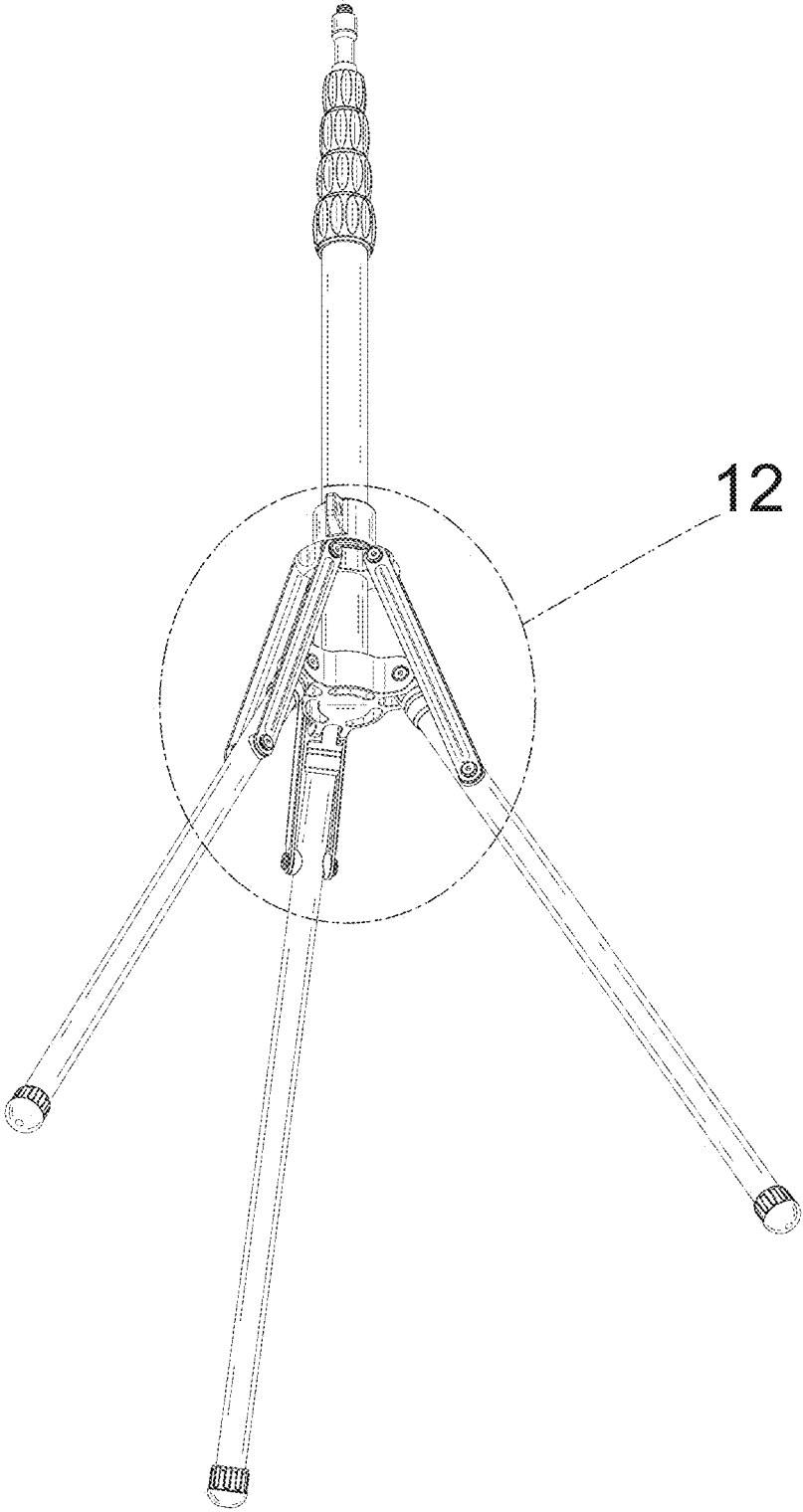


FIG. 2

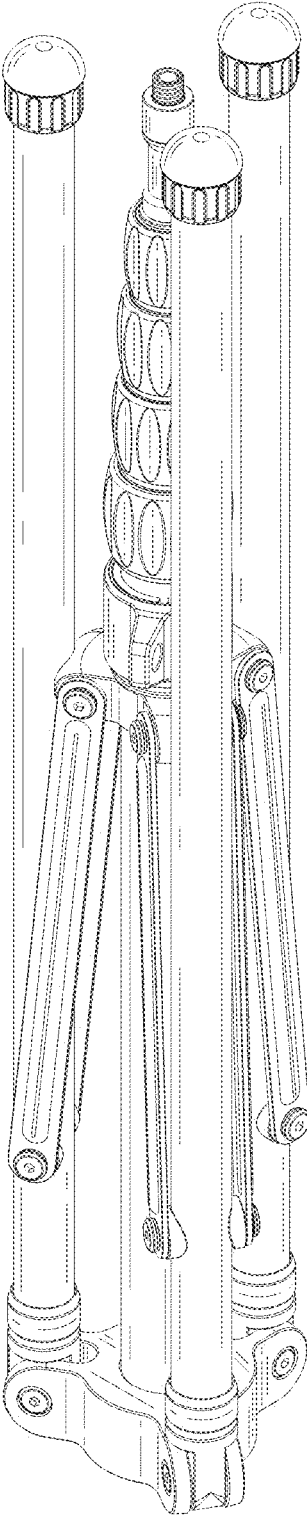


FIG. 3

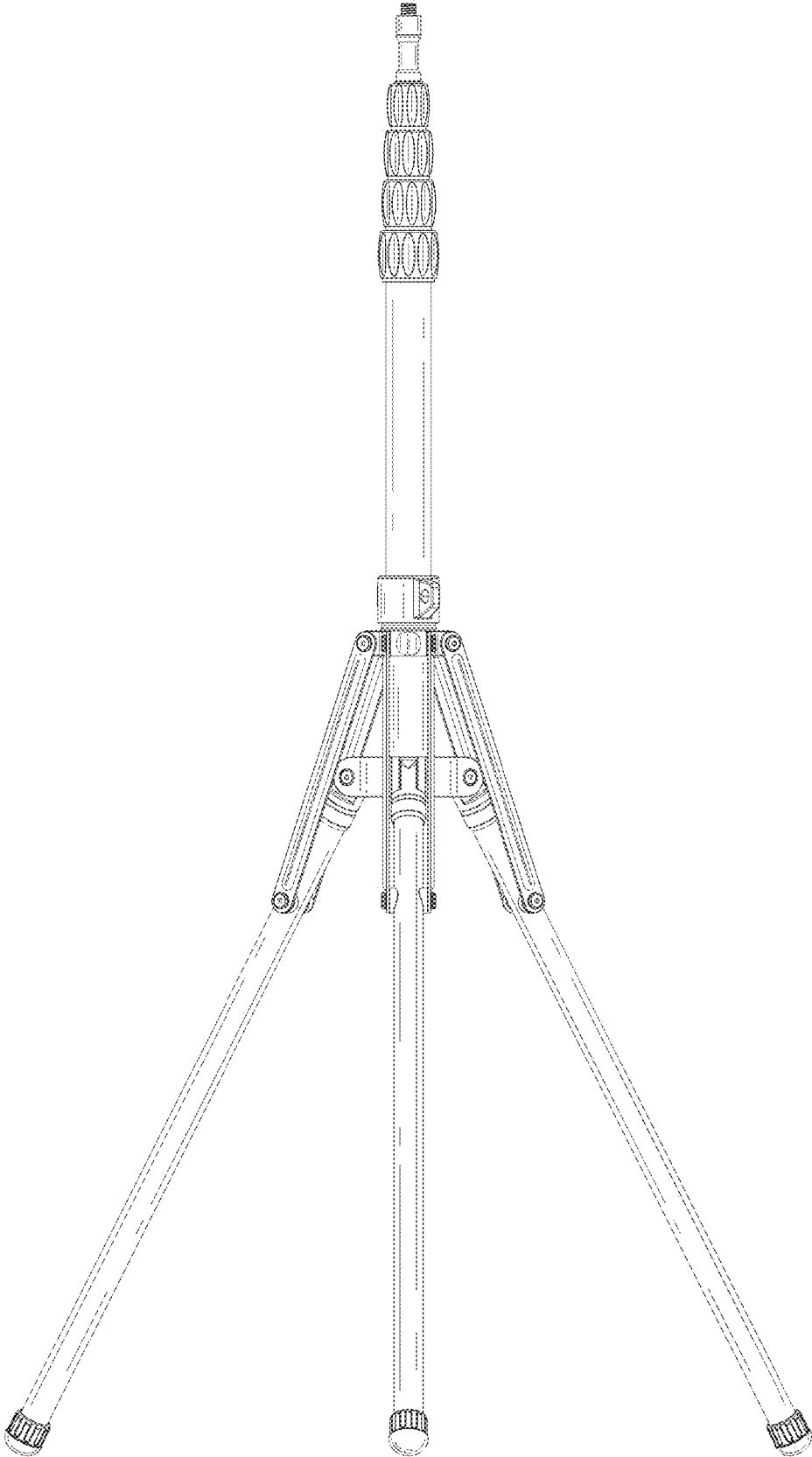


FIG. 4

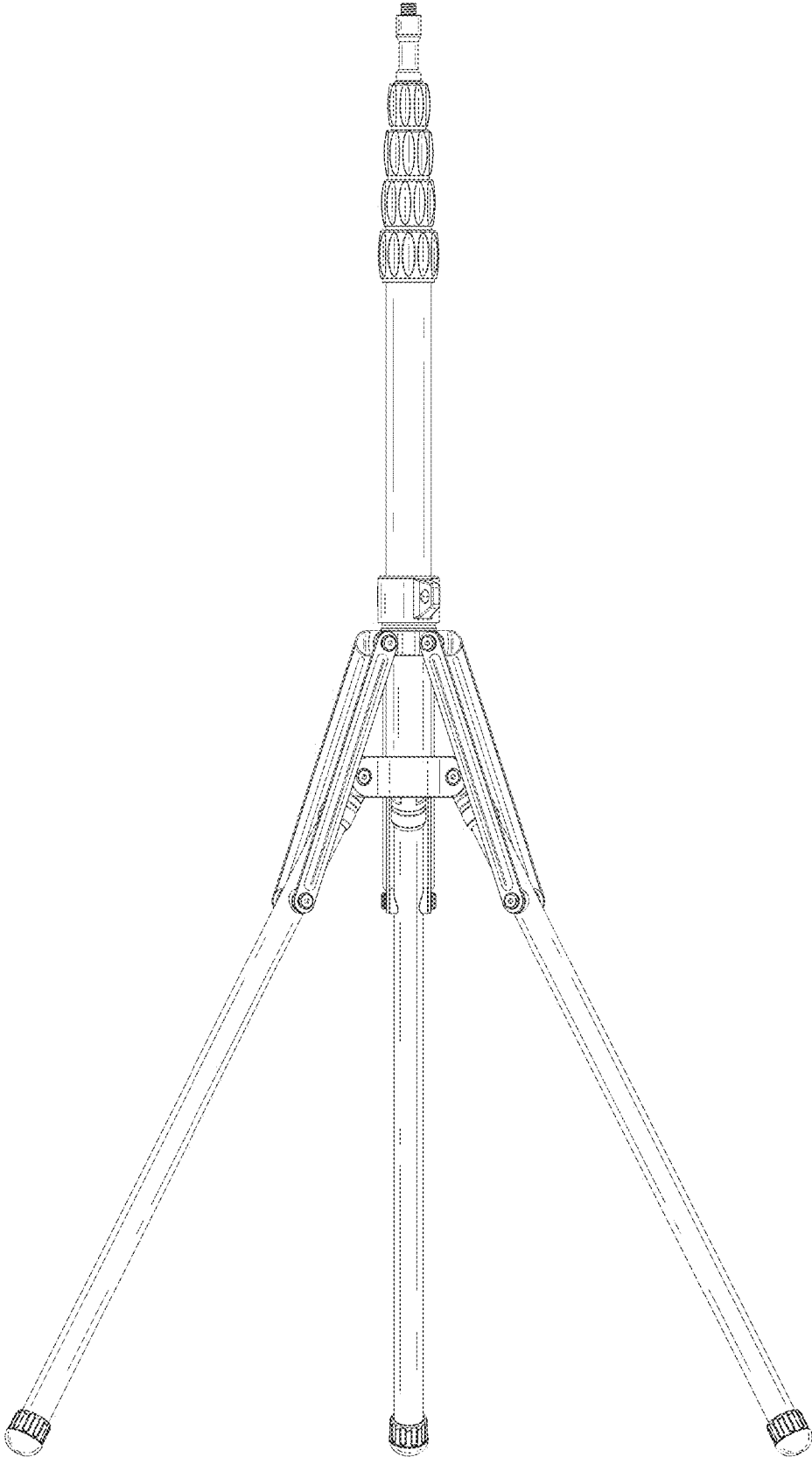


FIG. 5

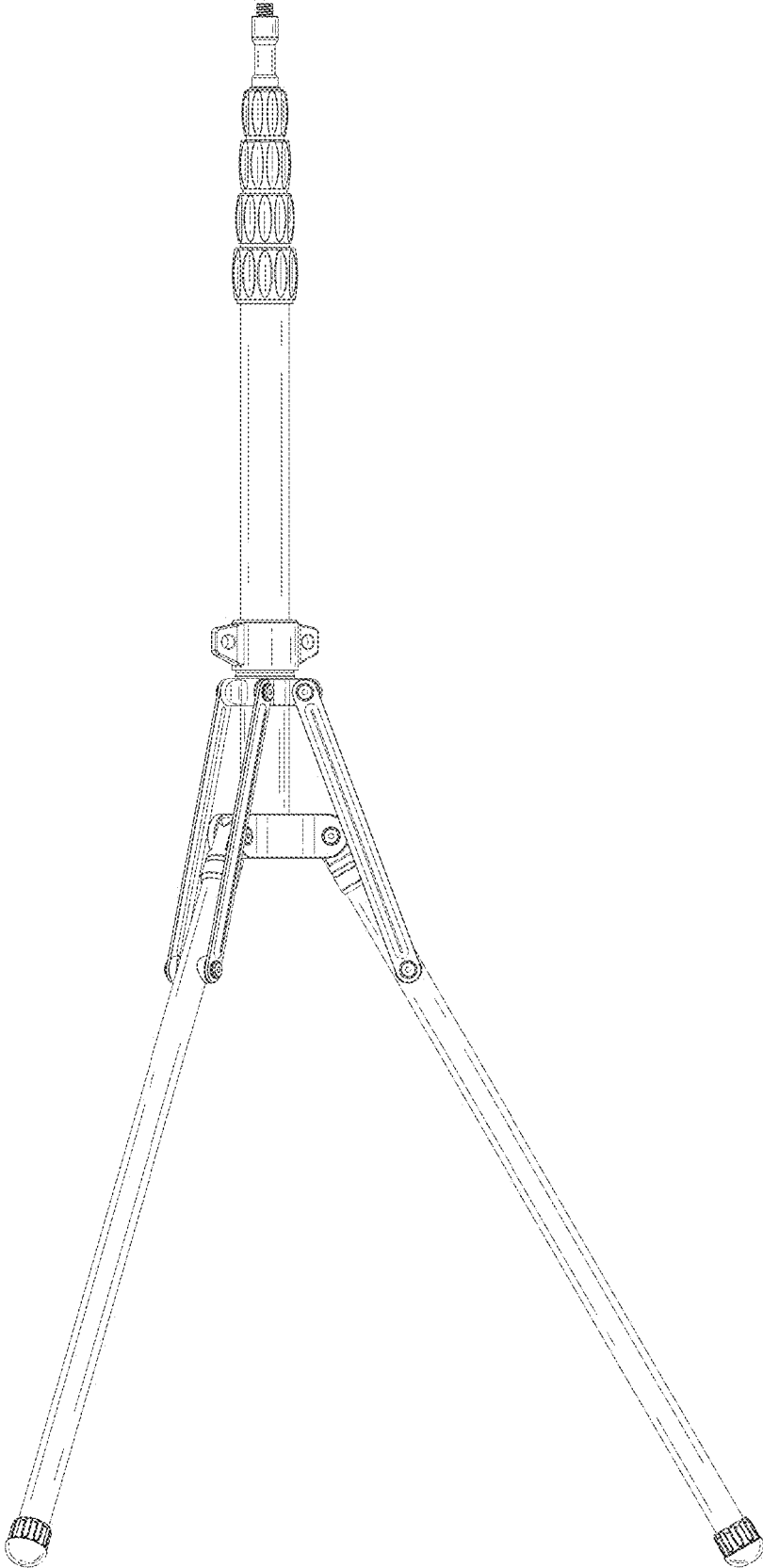


FIG. 6

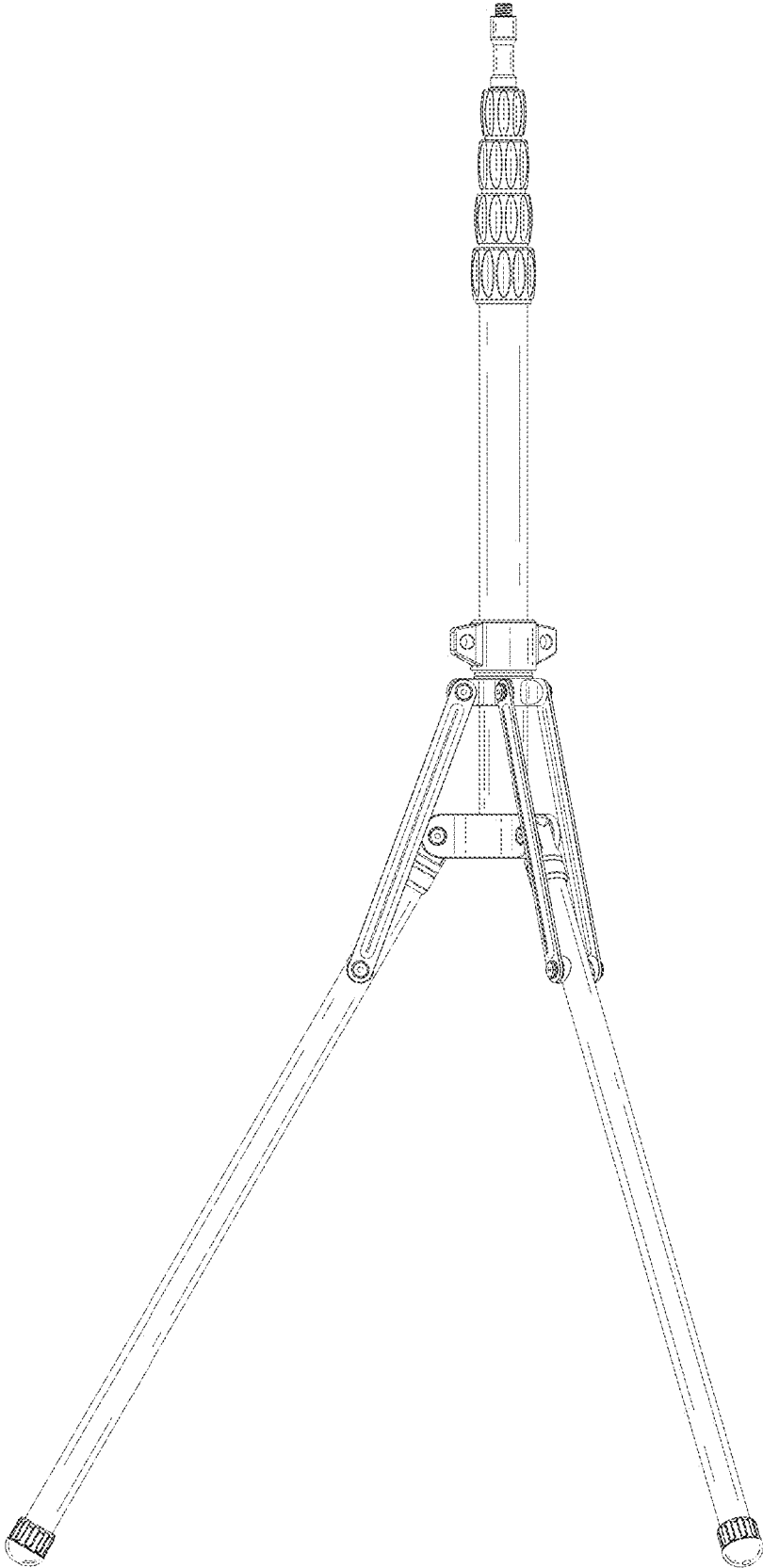


FIG. 7



FIG. 8

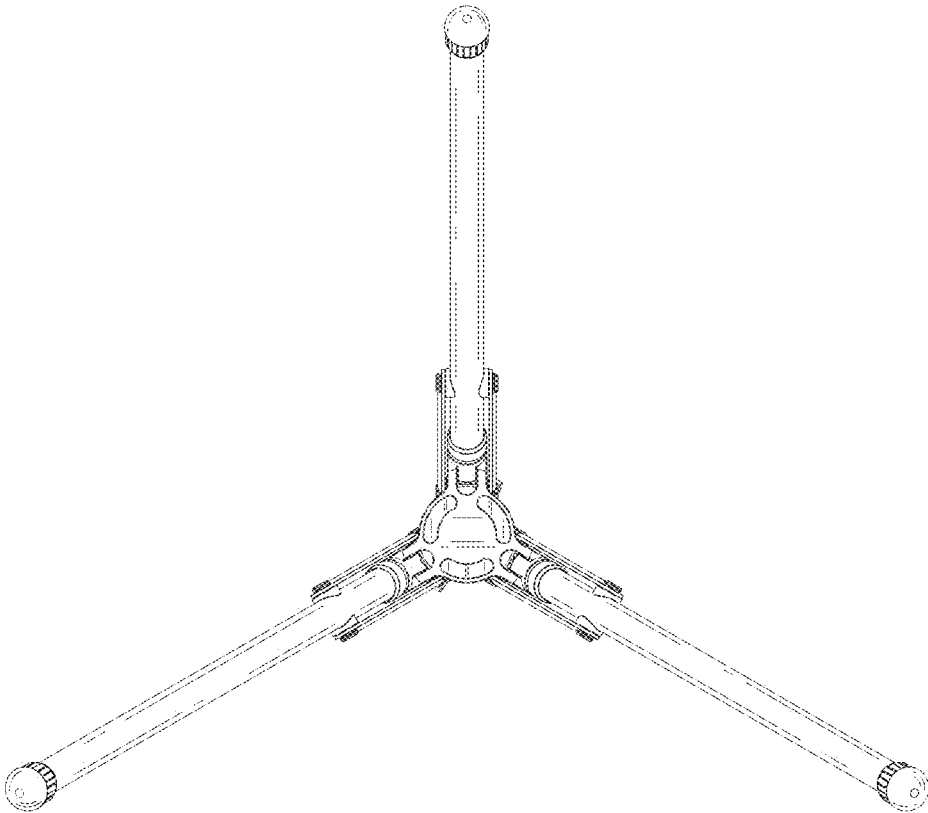


FIG. 9

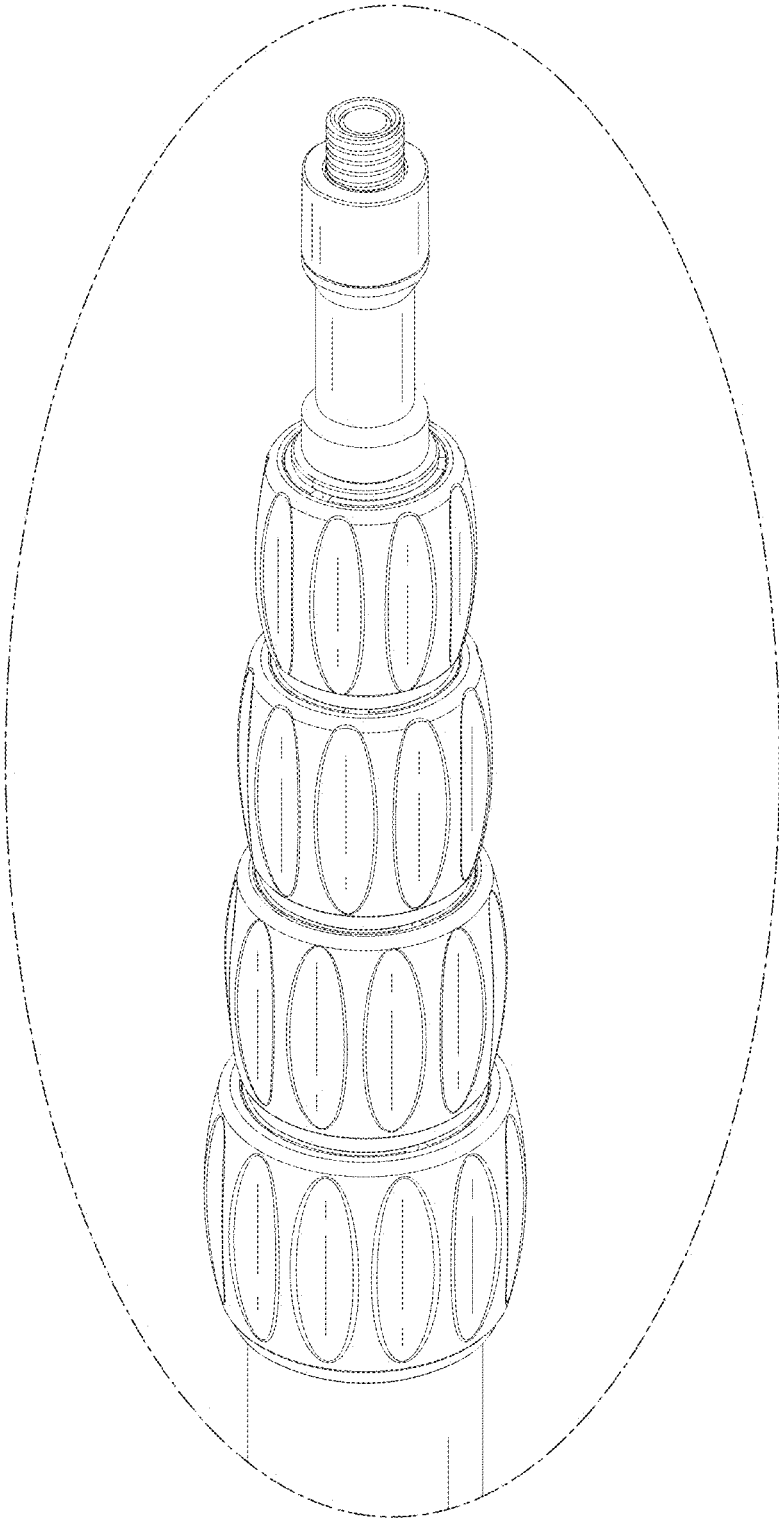


FIG. 10

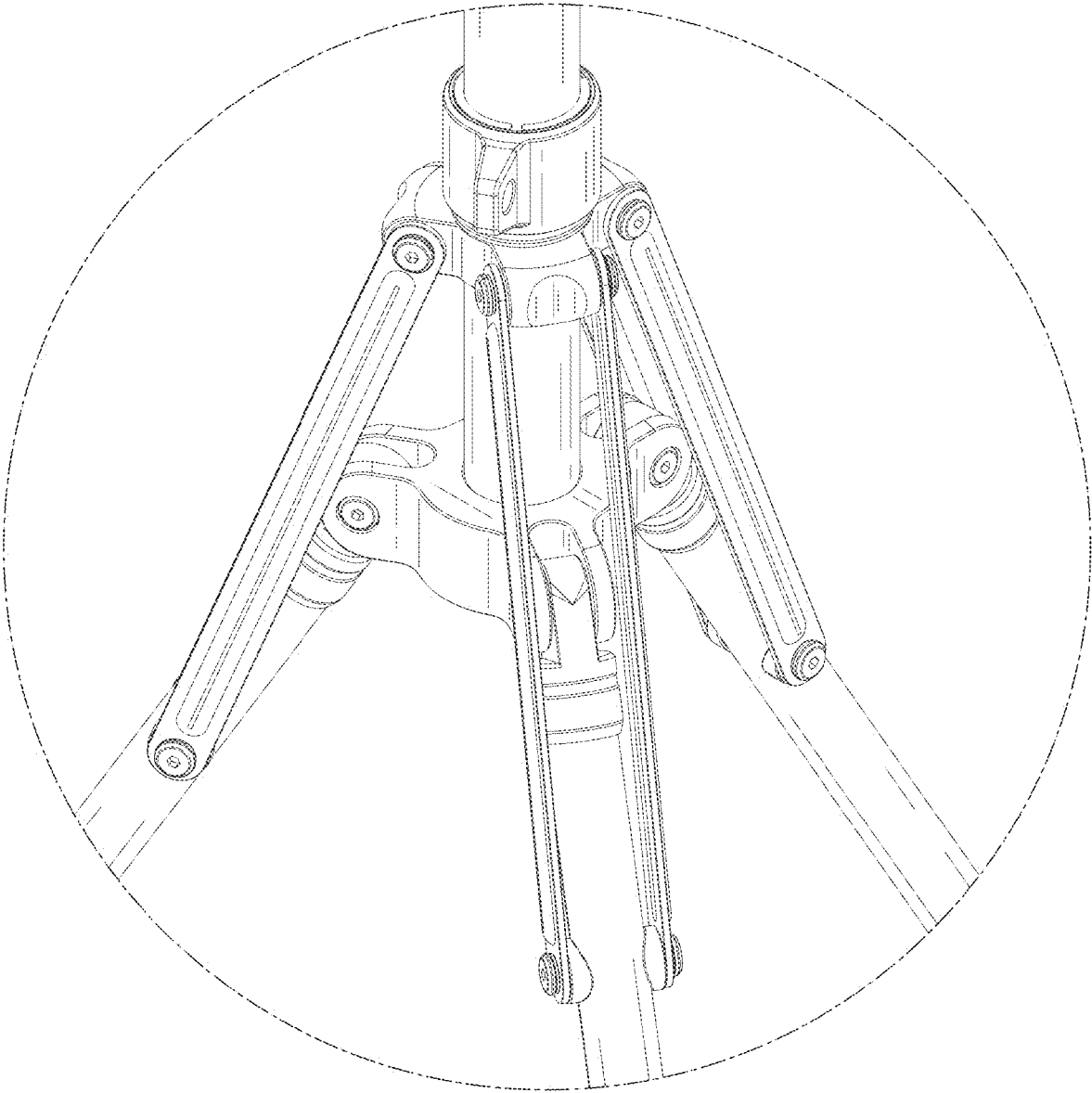


FIG. 11

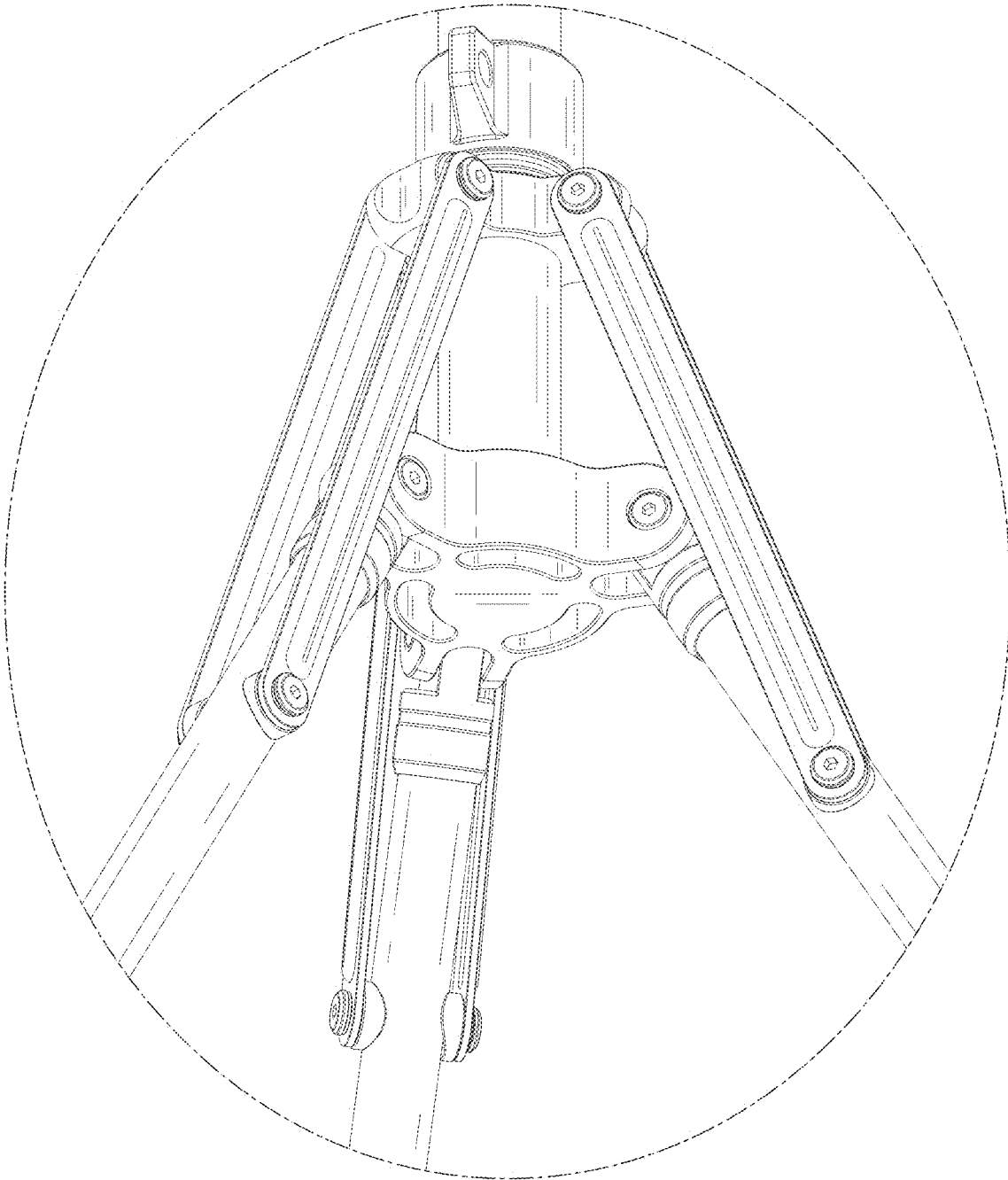


FIG. 12