



US00D367709S

United States Patent [19]

[11] Patent Number: **Des. 367,709**

Lawing et al.

[45] Date of Patent: ****Mar. 5, 1996**

[54] COMBINED SPA AND COVER

OTHER PUBLICATIONS

[75] Inventors: **Michael E. Lawing**, San Diego; **Walter R. Cumiskey**, Vista; **Jeffrey K. Watkins**, Rancho Santa Fe, all of Calif.

Spa & Sauna Journal, Jul. 1982, Primo Octagon Spa at bottom of p. 59.

[73] Assignee: **Watkins Manufacturing Corporation**, Vista, Calif.

Primary Examiner—Stella Reid
Attorney, Agent, or Firm—Leon E. Redman; Malcolm L. Sutherland

[**] Term: **14 Years**

[57] CLAIM

[21] Appl. No.: **19,501**

The ornamental design for a combined spa and cover, as shown and described.

[22] Filed: **Mar. 3, 1994**

DESCRIPTION

[52] U.S. Cl. **D24/205**; D24/201

FIG. 1 is a top front perspective of a combined spa and cover showing our new design;

[58] Field of Search D24/201, 204,

FIG. 2 is a front elevational view thereof, the rear being a mirror image of the front;

D24/205; 4/541.1-541.6, 492, 497, 496,

FIG. 3 is a top plan view thereof; and,

498, 580

FIG. 4 is a left side elevational view, the right side being a mirror image of the left side.

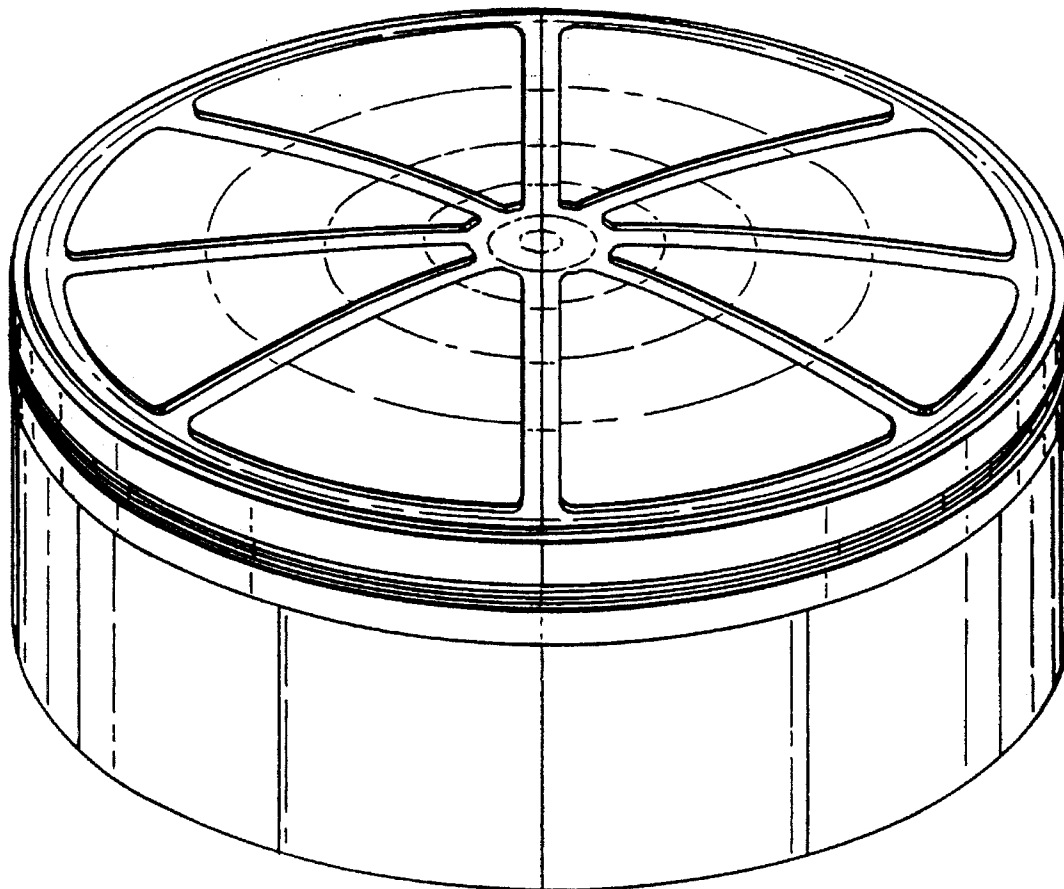
[56] References Cited

The bottom is plain and unornamented.

U.S. PATENT DOCUMENTS

4,236,259	12/1980	Wendt	4/498
5,086,525	2/1992	Christopher	4/498

1 Claim, 2 Drawing Sheets



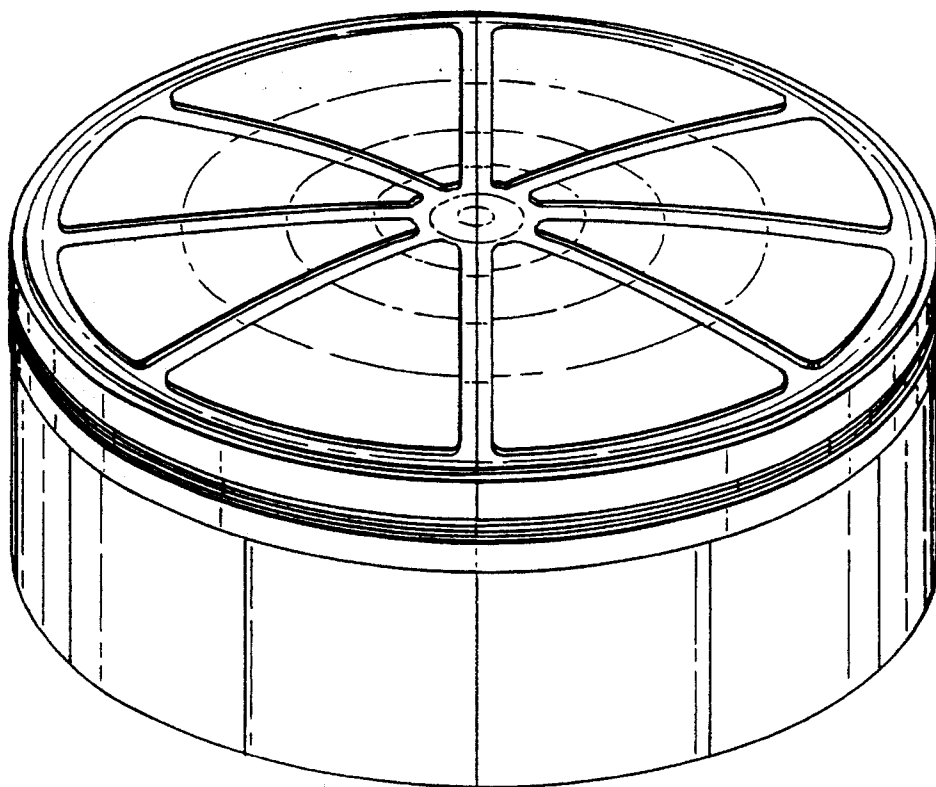


FIG. 1.

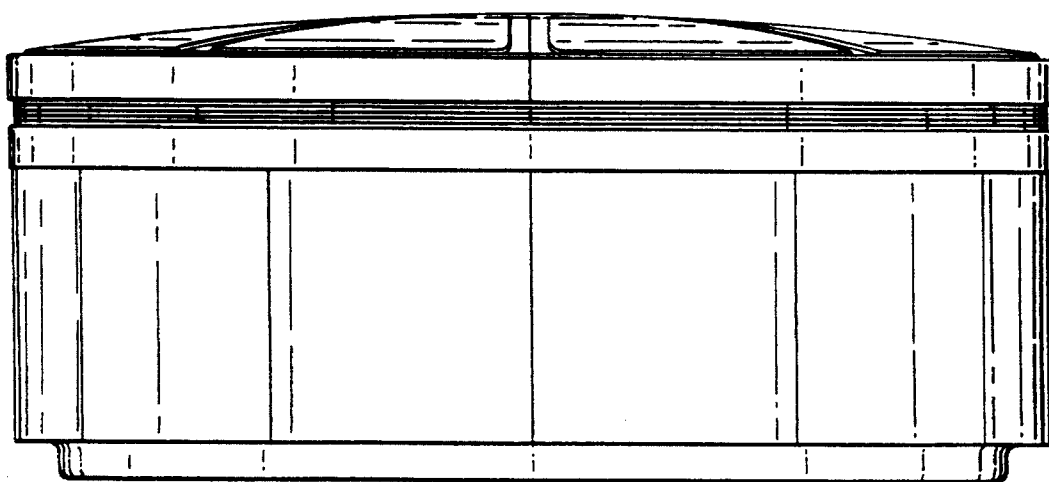


FIG. 2.

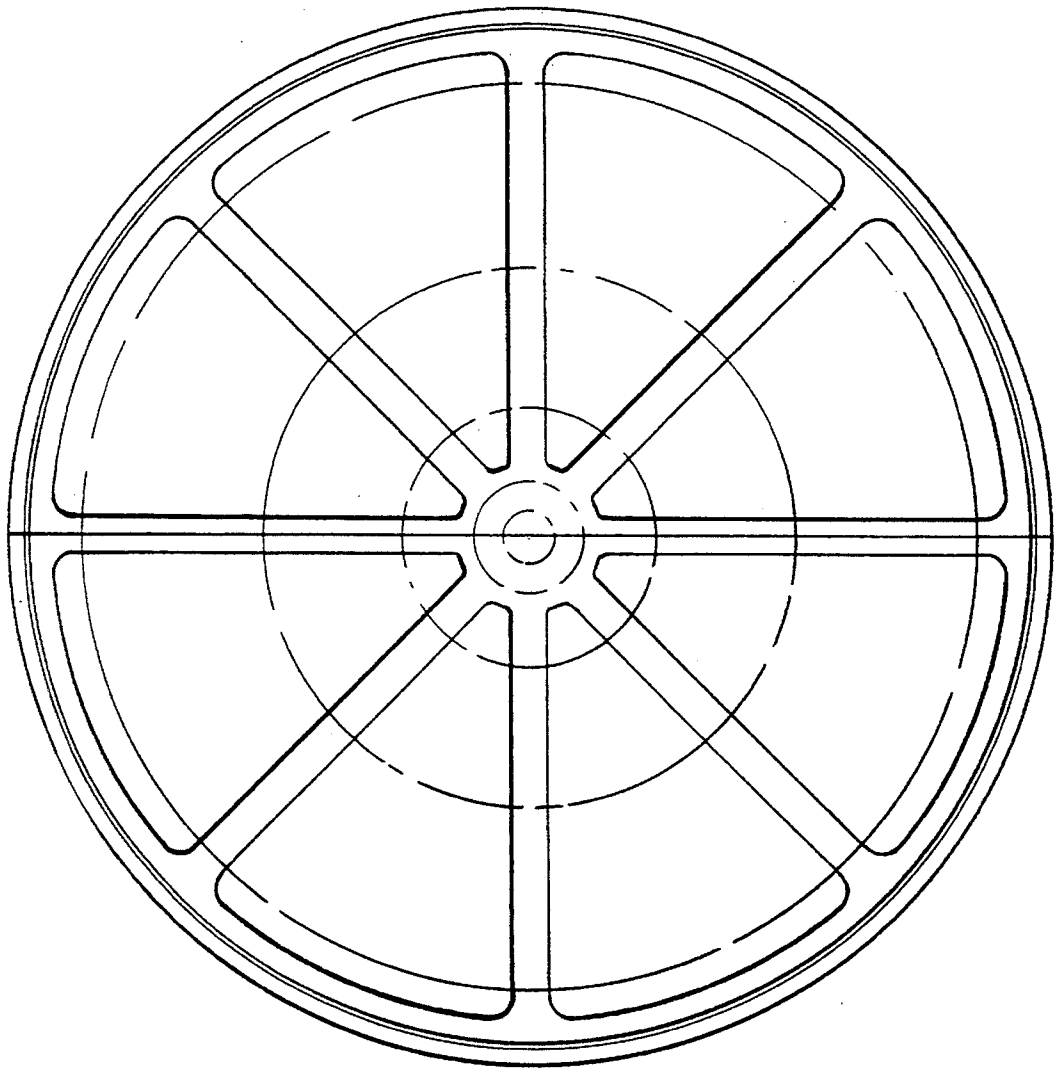


FIG. 3.

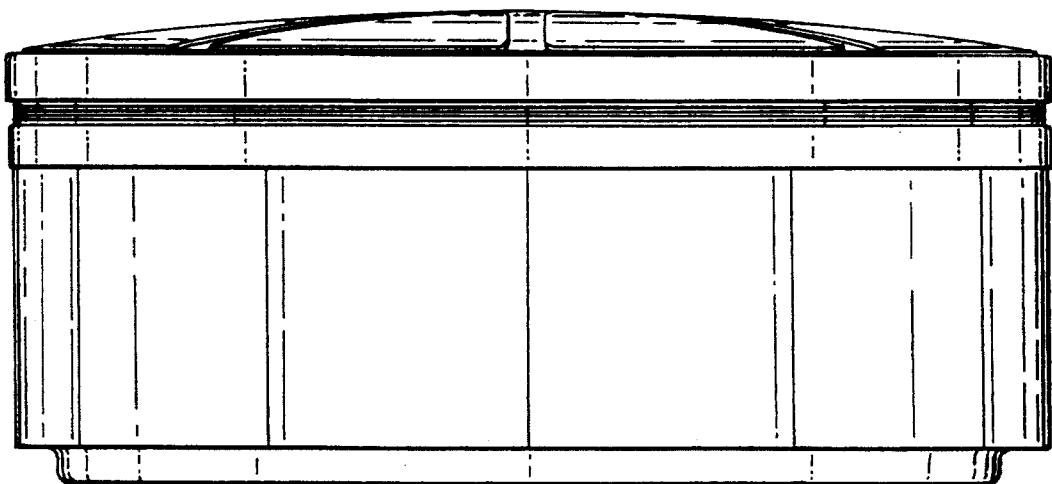


FIG. 4.