

(19) World Intellectual Property
Organization
International Bureau



(43) International Publication Date
21 May 2004 (21.05.2004)

PCT

(10) International Publication Number
WO 2004/041141 A3

(51) International Patent Classification⁷: A61F 13/476,
13/15, 13/60, 13/15, 13/56, 13/60

(21) International Application Number:
PCT/US2003/034057

(22) International Filing Date: 24 October 2003 (24.10.2003)

(25) Filing Language: English

(26) Publication Language: English

(30) Priority Data:
10/284,622 31 October 2002 (31.10.2002) US

(71) Applicant: MCNEIL-PPC, INC. [US/US]; 199 GRAND-
VIEW ROAD, SKILLMAN, NJ 08558 (US).

(72) Inventors: NG, Tony, C.; 51 JEMEE DRIVE, EAST
BRUNSWICK, NJ 08816 (US). WHITE, Steven, H.; 13
INDIANA ROAD, SOMERSET, NJ 08873 (US).

(74) Agents: JOHNSON, Philip, S. et al.; Johnson & Johnson,
One Johnson & Johnson Plaza, New Brunswick, NJ 08903
(US).

(81) Designated States (national): AE, AG, AL, AM, AT, AU,
AZ, BA, BB, BG, BR, BY, BZ, CA, CH, CN, CO, CR, CU,

CZ, DE, DK, DM, DZ, EC, EE, ES, FI, GB, GD, GE, GH,
GM, HR, HU, ID, IL, IN, IS, JP, KE, KG, KP, KR, KZ, LC,
LK, LR, LS, LT, LU, LV, MA, MD, MG, MK, MN, MW,
MX, MZ, NI, NO, NZ, OM, PG, PH, PL, PT, RO, RU, SC,
SD, SE, SG, SK, SL, SY, TJ, TM, TN, TR, TT, TZ, UA,
UG, UZ, VC, VN, YU, ZA, ZM, ZW.

(84) Designated States (regional): ARIPO patent (GH, GM,
KE, LS, MW, MZ, SD, SL, SZ, TZ, UG, ZM, ZW),
Eurasian patent (AM, AZ, BY, KG, KZ, MD, RU, TJ, TM),
European patent (AT, BE, BG, CH, CY, CZ, DE, DK, EE,
ES, FI, FR, GB, GR, HU, IE, IT, LU, MC, NL, PT, RO,
SE, SI, SK, TR), OAPI patent (BF, BJ, CF, CG, CI, CM,
GA, GN, GQ, GW, ML, MR, NE, SN, TD, TG).

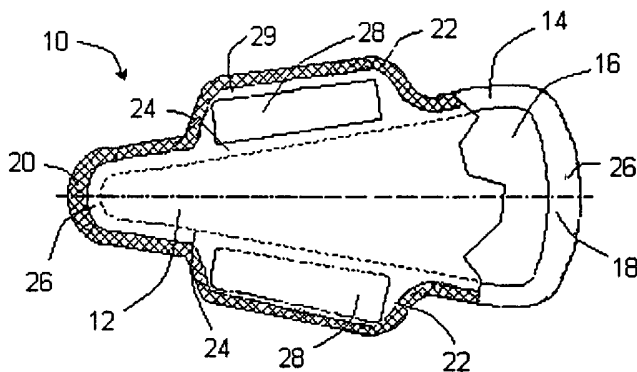
Published:

- with international search report
- before the expiration of the time limit for amending the claims and to be republished in the event of receipt of amendments

(88) Date of publication of the international search report:
26 August 2004

For two-letter codes and other abbreviations, refer to the "Guidance Notes on Codes and Abbreviations" appearing at the beginning of each regular issue of the PCT Gazette.

(54) Title: PROCESS FOR APPLYING PORTIONS OF MATERIAL TO A MOVING WEB



(57) Abstract: An absorbent article comprising an absorbent body enclosed between a liquid-permeable liner sheet layer and a liquid-impermeable backsheet layer is disclosed. The article has a longitudinal axis, a relatively wide anterior end and an opposite posterior end connected by side margins to define a generally triangular shape. The side margins substantially continuously converge to the posterior end, and at least one tab extends from each side margin. There is at least one attachment element aligned oblique to the longitudinal axis of the article that is associated with each tab. A method of placing an attachment element onto an absorbent article at an angle that is oblique to a machine direction is also disclosed, along with a product formed by the method. A first attachment element is separated from a first supply of attachment material that is aligned in a machine direction and is rotated from the machine direction to a predetermined angle that is oblique to the machine direction. This attachment element is indexed to an absorbent article moving in the machine direction and is applied to the absorbent article. A second attachment element may be similarly applied to the absorbent article, and it may be aligned opposite the first attachment element. An apparatus for placing at least one attachment element. An apparatus for placing at least one attachment element onto an absorbent product at an angle that is oblique to a machine direction is also disclosed.

WO 2004/041141 A3

INTERNATIONAL SEARCH REPORT

International Application No

PCT/US 03/34057

A. CLASSIFICATION OF SUBJECT MATTER		
IPC 7	A61F13/476	A61F13/15 A61F13/60 A61F13/15 A61F13/56 A61F13/60
According to International Patent Classification (IPC) or to both national classification and IPC		
B. FIELDS SEARCHED		
Minimum documentation searched (classification system followed by classification symbols)		
IPC 7 A61F		
Documentation searched other than minimum documentation to the extent that such documents are included in the fields searched		
Electronic data base consulted during the international search (name of data base and, where practical, search terms used)		
EPO-Internal, WPI Data		
C. DOCUMENTS CONSIDERED TO BE RELEVANT		
Category °	Citation of document, with indication, where appropriate, of the relevant passages	Relevant to claim No.
X	US 2001/031955 A1 (DREVIK SOLGUN ET AL) 18 October 2001 (2001-10-18) paragraph '0004! paragraph '0021!; figures	1-16, 19-25
X	US 5 224 405 A (POHJOLA DALE A) 6 July 1993 (1993-07-06)	12-16
A	abstract column 3, lines 7-27; figures	26-37
X	EP 1 162 162 A (ZUIKO CORP) 12 December 2001 (2001-12-12) paragraph '0012! paragraph '0042! paragraph '0044! paragraphs '0056! - '0058!; figures	26-29
	-/--	
<input checked="" type="checkbox"/> Further documents are listed in the continuation of box C. <input checked="" type="checkbox"/> Patent family members are listed in annex.		
° Special categories of cited documents :		
A document defining the general state of the art which is not considered to be of particular relevance *E* earlier document but published on or after the international filing date *L* document which may throw doubts on priority claim(s) or which is cited to establish the publication date of another citation or other special reason (as specified) *O* document referring to an oral disclosure, use, exhibition or other means *P* document published prior to the international filing date but later than the priority date claimed	*T* later document published after the international filing date or priority date and not in conflict with the application but cited to understand the principle or theory underlying the invention *X* document of particular relevance; the claimed invention cannot be considered novel or cannot be considered to involve an inventive step when the document is taken alone *Y* document of particular relevance; the claimed invention cannot be considered to involve an inventive step when the document is combined with one or more other such documents, such combination being obvious to a person skilled in the art. *&* document member of the same patent family	
Date of the actual completion of the international search	Date of mailing of the international search report	
18 June 2004	01/07/2004	
Name and mailing address of the ISA European Patent Office, P.B. 5818 Patentlaan 2 NL - 2280 HV Rijswijk Tel. (+31-70) 340-2040, Tx. 31 651 epo nl, Fax: (+31-70) 340-3016	Authorized officer Seabra, L	

INTERNATIONAL SEARCH REPORT

International Application No

PCT/US 03/34057

C.(Continuation) DOCUMENTS CONSIDERED TO BE RELEVANT		
Category °	Citation of document, with indication, where appropriate, of the relevant passages	Relevant to claim No.
X	EP 0 997 123 A (FAMECCANICA DATA S P A) 3 May 2000 (2000-05-03)	12
A	the whole document	26-37
X	WO 00/72790 A (PERSSON CHARLOTTE ; SCA HYGIENE PROD AB (SE)) 7 December 2000 (2000-12-07) abstract; figure 9	1-11
A	WO 01/72254 A (PROCTER & GAMBLE) 4 October 2001 (2001-10-04) page 29, lines 8-17; figure 11	1, 19
A	EP 0 511 905 A (KAYSERSBERG SA) 4 November 1992 (1992-11-04) figures	1
A	WO 95/20932 A (PROCTER & GAMBLE) 10 August 1995 (1995-08-10) figures 20, 23-25	1
A	US 5 611 790 A (SUGAHARA KAZUKO ET AL) 18 March 1997 (1997-03-18) figures 26a, 39-49	1

INTERNATIONAL SEARCH REPORT

Information on patent family members

International Application No

PCT/US 03/34057

Patent document cited in search report		Publication date	Patent family member(s)	Publication date
US 2001031955	A1	18-10-2001	SE 516261 C2	10-12-2001
			AU 4698301 A	30-10-2001
			EP 1274384 A1	15-01-2003
			SE 0001378 A	14-10-2001
			WO 0178638 A1	25-10-2001
US 5224405	A	06-07-1993	US 5104116 A	14-04-1992
			AU 4734293 A	02-12-1993
			AU 641000 B2	09-09-1993
			AU 7419391 A	10-10-1991
			BR 9101401 A	26-11-1991
			CA 2014613 A1	06-10-1991
			DE 69116411 D1	29-02-1996
			DE 69116411 T2	27-06-1996
			EP 0450650 A1	09-10-1991
			JP 2862697 B2	03-03-1999
			JP 7089663 A	04-04-1995
			KR 187587 B1	01-06-1999
			MX 171598 B	08-11-1993
EP 1162162	A	12-12-2001	AU 1890401 A	25-06-2001
			BR 0010044 A	05-02-2002
			EP 1162162 A1	12-12-2001
			US 2002125105 A1	12-09-2002
			CN 1339010 T	06-03-2002
			WO 0144086 A1	21-06-2001
EP 0997123	A	03-05-2000	EP 0997123 A1	03-05-2000
WO 0072790	A	07-12-2000	SE 514136 C2	08-01-2001
			AU 4965200 A	18-12-2000
			EP 1187587 A1	20-03-2002
			JP 2003500164 T	07-01-2003
			NZ 514773 A	29-04-2003
			PL 351642 A1	19-05-2003
			WO 0072790 A1	07-12-2000
			SE 9901758 A	15-11-2000
			SK 16392001 A3	05-03-2002
			ZA 200108581 A	20-01-2003
			WO 0172254	A
EP 1267785 A2	02-01-2003			
JP 2003527929 T	24-09-2003			
WO 0172254 A2	04-10-2001			
US 2003004484 A1	02-01-2003			
EP 0511905	A	04-11-1992	FR 2675687 A1	30-10-1992
			DE 69204203 D1	28-09-1995
			DE 69204203 T2	01-02-1996
			EP 0511905 A1	04-11-1992
			ES 2077372 T3	16-11-1995
WO 9520932	A	10-08-1995	AU 702048 B2	11-02-1999
			AU 1700195 A	21-08-1995
			AU 1838595 A	21-08-1995
			AU 8610998 A	26-11-1998
			BR 9506713 A	09-09-1997
			BR 9506714 A	09-09-1997

INTERNATIONAL SEARCH REPORT

Information on patent family members

national Application No

PCT/US 03/34057

Patent document cited in search report	Publication date	Patent family member(s)	Publication date			
WO 9520932	A	CA 2182570 A1	10-08-1995			
		CA 2182571 A1	10-08-1995			
		CN 1144473 A	05-03-1997			
		CN 1144474 A	05-03-1997			
		CZ 9602332 A3	16-04-1997			
		EG 20791 A	29-03-2000			
		EP 0742705 A1	20-11-1996			
		EP 0843539 A1	27-05-1998			
		FI 963077 A	03-10-1996			
		HU 75893 A2	28-05-1997			
		JP 3506710 B2	15-03-2004			
		JP 9508547 T	02-09-1997			
		JP 9508548 T	02-09-1997			
		JP 2004113783 A	15-04-2004			
		NO 963196 A	04-10-1996			
		SG 49005 A1	18-05-1998			
		WO 9520931 A1	10-08-1995			
		WO 9520932 A1	10-08-1995			
		US 5591150 A	07-01-1997			
		US 5558657 A	24-09-1996			
		US 5558663 A	24-09-1996			
		US 5891121 A	06-04-1999			
		US 5676652 A	14-10-1997			
		US 5755711 A	26-05-1998			
		ZA 9500865 A	15-03-1996			
		AU 4905196 A	21-08-1996			
		WO 9623472 A1	08-08-1996			
		ZA 9600706 A	25-07-1996			
		US 5611790	A	18-03-1997	US 5334176 A	02-08-1994
				CN 1082868 A , B	02-03-1994	
				MX 9300353 A1	31-01-1994	
NZ 244959 A	24-03-1997					
US 5460622 A	24-10-1995					
US 5486167 A	23-01-1996					
US 5658269 A	19-08-1997					
US 5702382 A	30-12-1997					
US 5674212 A	07-10-1997					
US 6042575 A	28-03-2000					
US 5683375 A	04-11-1997					
US 6171291 B1	09-01-2001					
AT 115390 T	15-12-1994					
AU 645379 B2	13-01-1994					
AU 8929891 A	26-05-1992					
BR 9106952 A	17-08-1993					
CA 2093350 A1	30-04-1992					
CN 1063036 A , B	29-07-1992					
CZ 9300757 A3	17-11-1993					
DE 69105994 D1	26-01-1995					
DE 69105994 T2	22-06-1995					
DK 555341 T3	06-03-1995					
EP 0555341 A1	18-08-1993					
ES 2065068 T3	01-02-1995					
FI 931909 A	23-06-1993					
HK 90496 A	31-05-1996					
HU 67884 A2	29-05-1995					
IE 913760 A1	22-05-1992					
JP 6502336 T	17-03-1994					

INTERNATIONAL SEARCH REPORT

Information on patent family members

national Application No

PCT/US 03/34057

Patent document cited in search report	Publication date	Patent family member(s)	Publication date
US 5611790	A	JP 3506700 B2	15-03-2004
		KR 185565 B1	01-05-1999
		MX 9101819 A1	01-06-1992
		NO 931524 A	29-06-1993
		PL 167617 B1	30-09-1995
		PT 8949 U	31-05-1994
		PT 99364 A	31-01-1994
		SK 41493 A3	11-08-1993
		TR 28275 A	08-04-1996
		WO 9207535 A1	14-05-1992
		US 5849003 A	15-12-1998
		US 5713884 A	03-02-1998
		US 5674214 A	07-10-1997
		US 6231556 B1	15-05-2001
		US 5733274 A	31-03-1998
		US 6059764 A	09-05-2000
		US 6287288 B1	11-09-2001
		US 5324278 A	28-06-1994
		US 5824004 A	20-10-1998
		AT 114960 T	15-12-1994
		AU 663052 B2	28-09-1995
