

217,104

## DOCUMENT COPIER UNIT

John L. Gianfagna, Marietta, Ohio, assignor to Sperry  
Rand Corporation, New York, N.Y., a corporation of  
Delaware

Filed Dec. 9, 1968, Ser. No. 14,844

Term of patent 14 years

Int. Cl. D16—5

U.S. Cl. D61—1

FIG. 1.

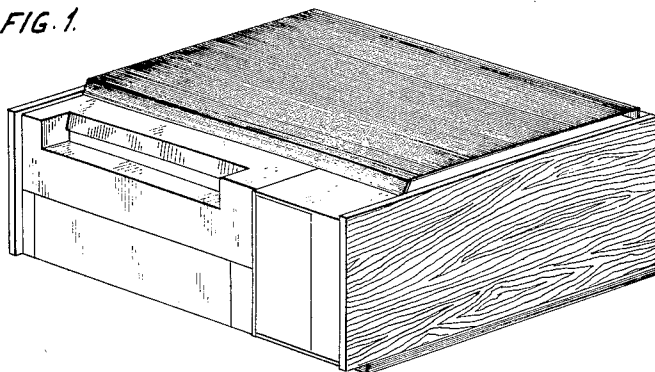


FIG. 2.

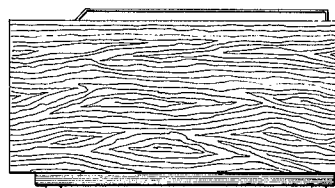
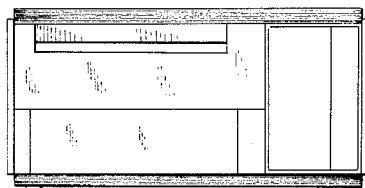


FIG. 3.

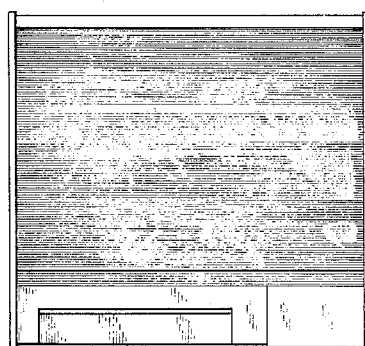


FIG. 4.

FIG. 5.

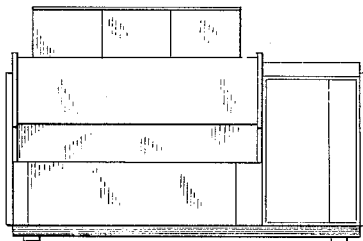
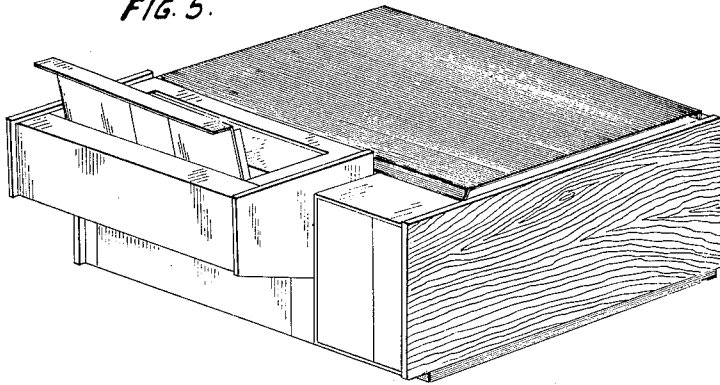


FIG. 6.

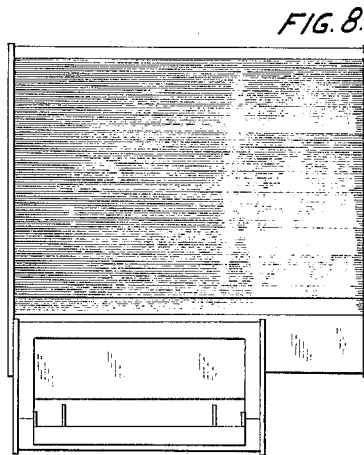


FIG. 8.

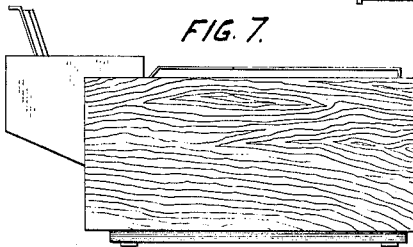


FIG. 7.

FIG. 1 is a perspective view of a unit showing my new design;

FIG. 2 is a front elevational view thereof;

FIG. 3 is an elevational view taken from a side thereof;

FIG. 4 is a top view thereof;

FIG. 5 is a perspective view of the unit showing another embodiment thereof, wherein a generally rectangular body protrudes from the upper left front edge of the rectangular case common to both embodiments;

FIG. 6 is a front elevational view of the FIG. 5 embodiment;

FIG. 7 is an elevational view taken from a side of the FIG. 5 embodiment; and

FIG. 8 is a top view of the FIG. 5 embodiment.

I claim:

The ornamental design for a document copier unit, substantially as shown and described.

References Cited

UNITED STATES PATENTS

D. 194,815	3/1963	Graves	-----	D61—1
D. 196,278	9/1963	Novick	-----	D61—1
D. 199,704	12/1964	Frantz	-----	D61—1

EDWIN H. HUNTER, Primary Examiner

N. C. HOLTJE, Assistant Examiner