



US00D415487S

# United States Patent [19]

[11] Patent Number: **Des. 415,487**

Takami et al.

[45] Date of Patent: **\*\* Oct. 19, 1999**

[54] TELEVISION RECEIVER

D. 400,524 11/1988 Takami et al. .... D14/126

[75] Inventors: **Mitsuru Takami; Muneyuki Nagai,**  
both of Osaka; **Takashi Inoue,** Nara, all  
of Japan

### FOREIGN PATENT DOCUMENTS

1028564 12/1998 Japan .  
1028565 12/1998 Japan .

[73] Assignee: **Matsushita Electric Industrial Co.,  
Ltd.,** Japan

*Primary Examiner*—Ted Shooman  
*Assistant Examiner*—Richelle Shelton  
*Attorney, Agent, or Firm*—Saidman DesignLaw Group

[\*\*] Term: **14 Years**

### [57] CLAIM

[21] Appl. No.: **29/099,392**

The ornamental design for a television receiver, as shown  
and described.

[22] Filed: **Jan. 20, 1999**

### [30] Foreign Application Priority Data

### DESCRIPTION

Aug. 21, 1998 [JP] Japan ..... 10-23992

[51] LOC (6) Cl. .... **14-03**

[52] U.S. Cl. .... **D14/126**

[58] Field of Search ..... D14/113, 126-134;  
312/7.2; 348/836, 838

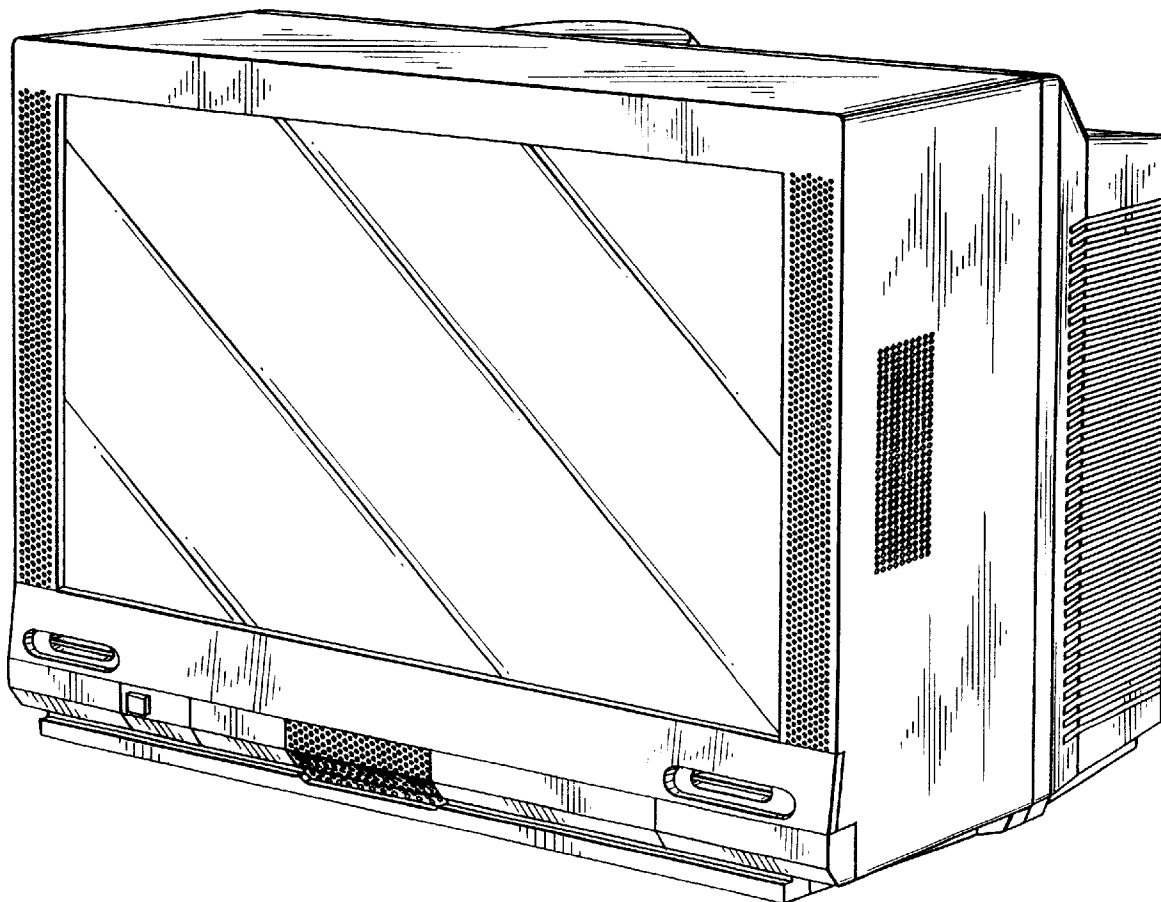
FIG. 1 is a perspective view of the top, front and right side  
of a television receiver showing our new design;  
FIG. 2 is a front view thereof;  
FIG. 3 is a top plan view thereof;  
FIG. 4 is a right side view thereof;  
FIG. 5 is a rear view thereof;  
FIG. 6 is a bottom view thereof; and,  
FIG. 7 is a front view similar to FIG. 2 with the lid in open  
condition.

### [56] References Cited

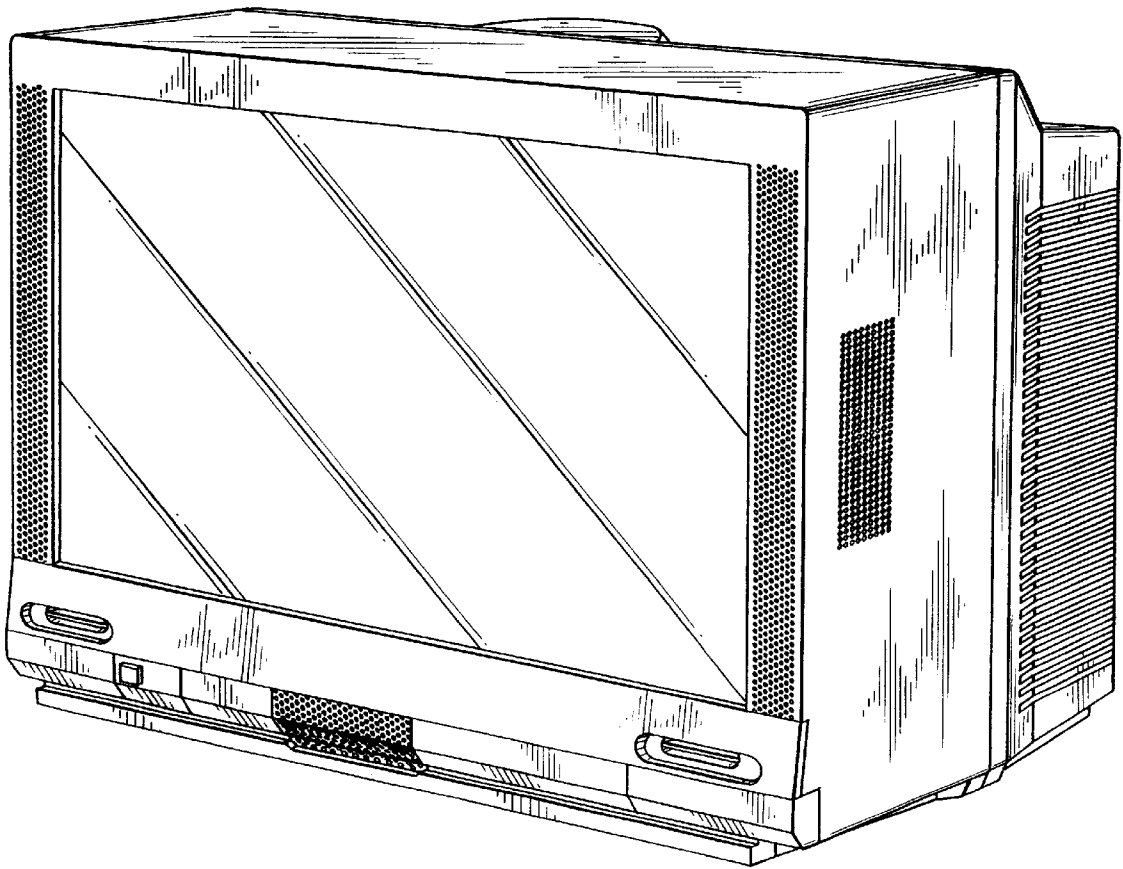
#### U.S. PATENT DOCUMENTS

D. 384,342 9/1997 Maeno et al. .... D14/126  
D. 394,650 5/1998 Hirakawa ..... D14/129

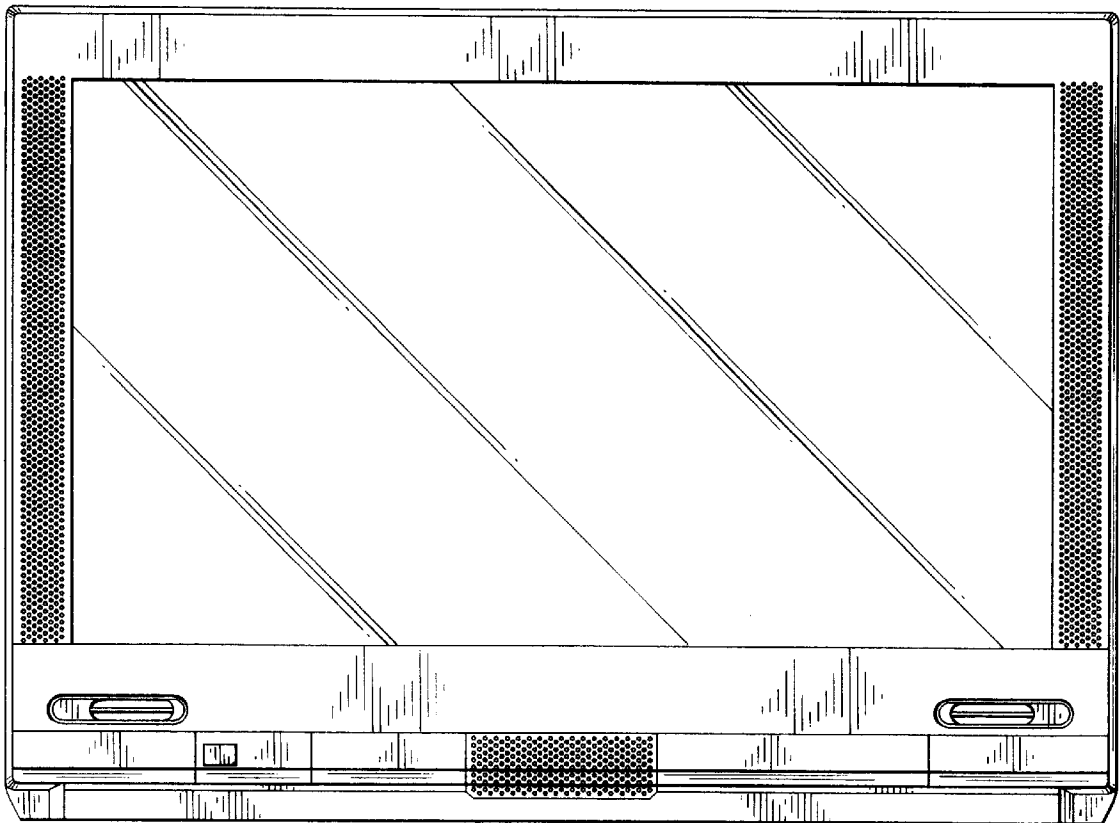
**1 Claim, 7 Drawing Sheets**



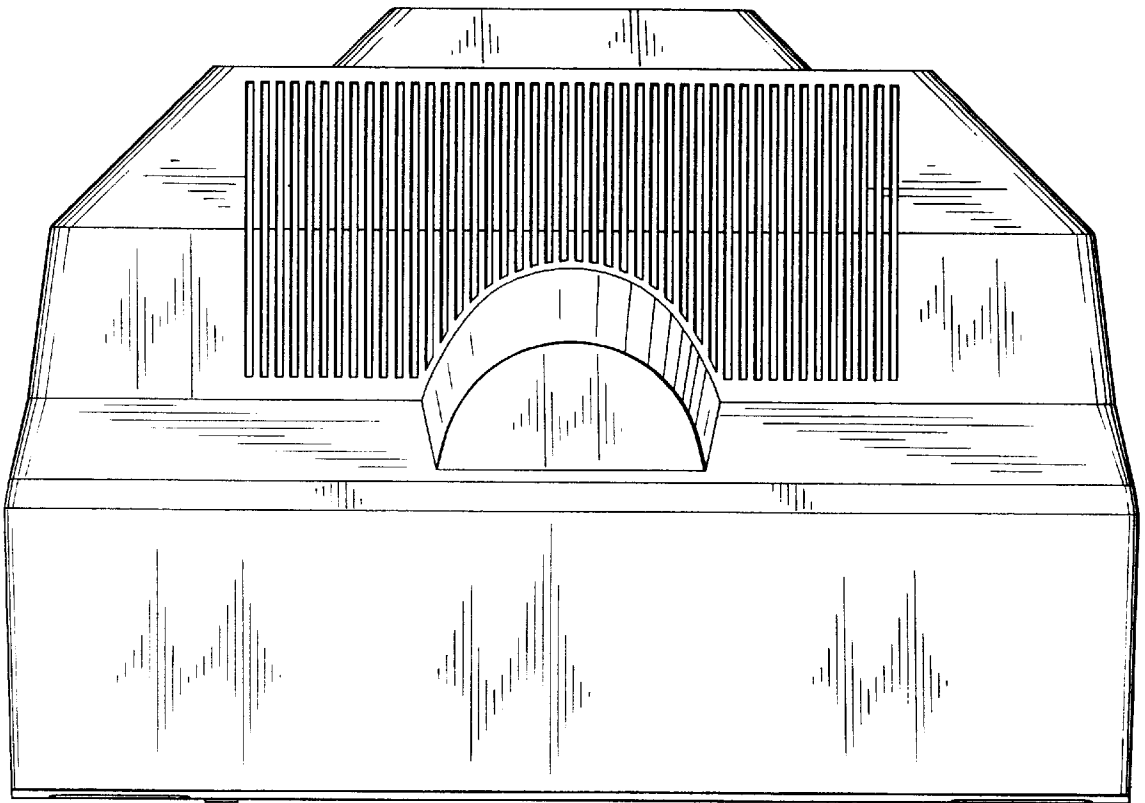
*FIG. 1*



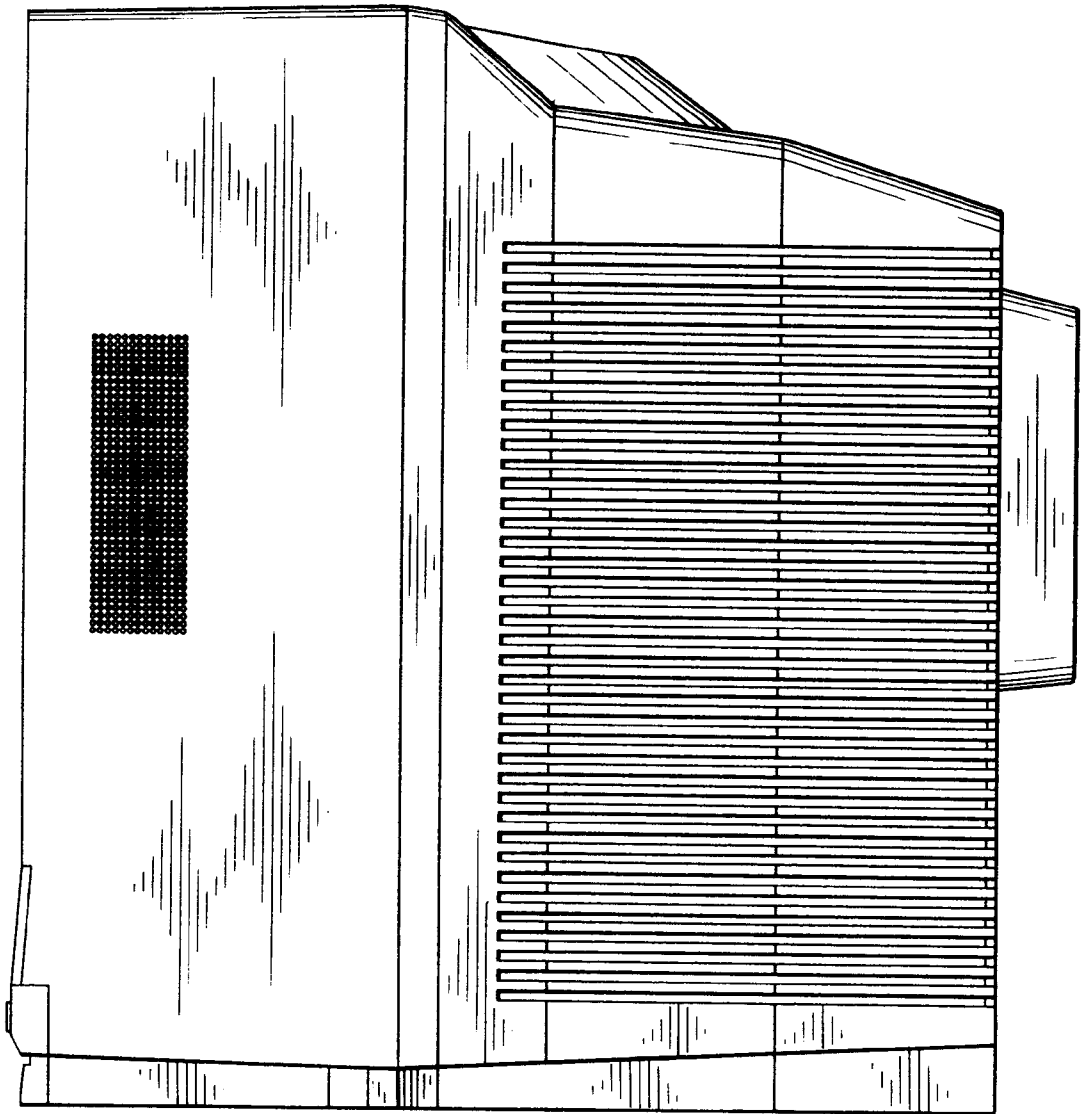
*FIG. 2*



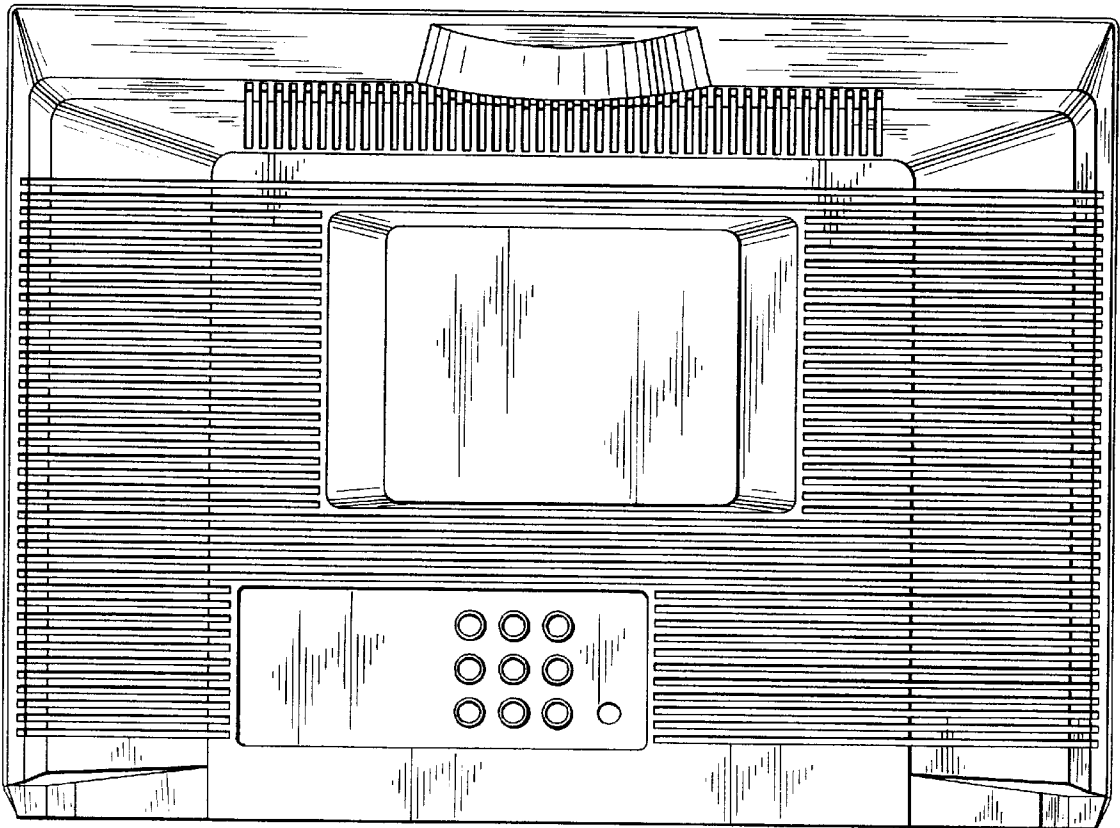
*FIG. 3*



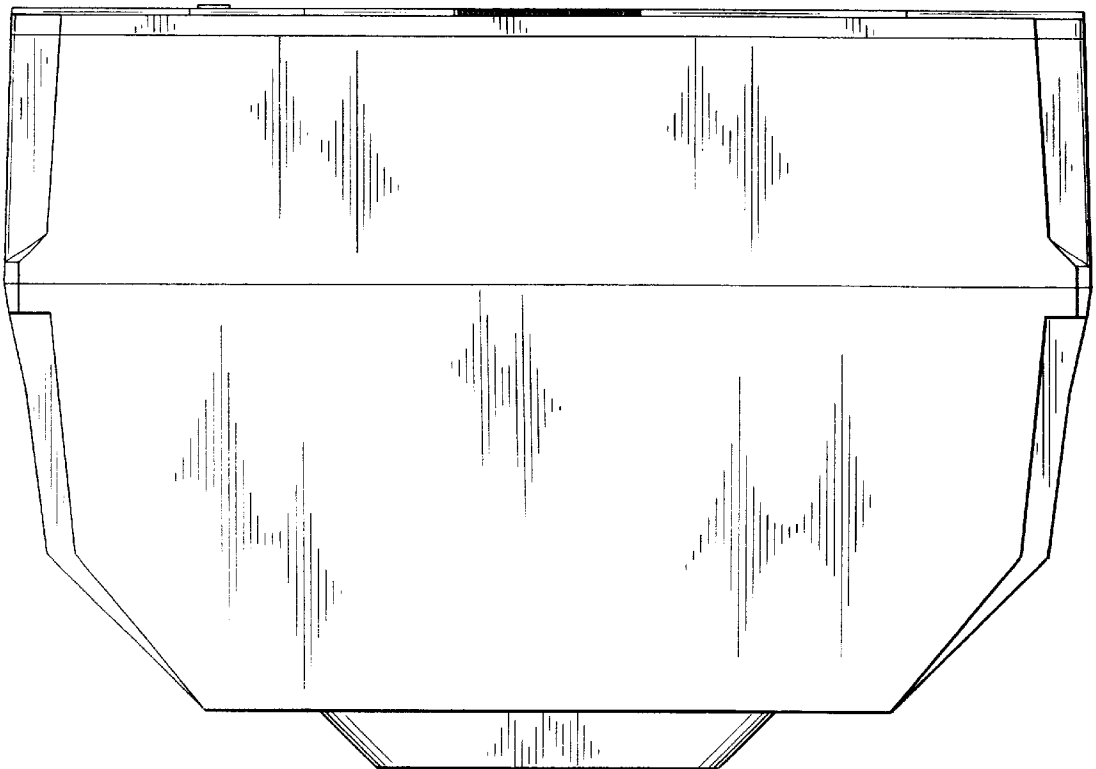
**FIG. 4**



*FIG. 5*



*FIG. 6*



*FIG. 7*

