



US00D784048S

(12) **United States Design Patent**
Ellingson

(10) **Patent No.:** **US D784,048 S**

(45) **Date of Patent:** **** Apr. 18, 2017**

- (54) **STEP COVER**
- (71) Applicant: **Robert T. Ellingson**, Social Circle, GA (US)
- (72) Inventor: **Robert T. Ellingson**, Social Circle, GA (US)
- (73) Assignee: **Reese Enterprises, Inc.**, Covington, GA (US)

1,522,586	A *	1/1925	Haase	280/169
1,622,739	A *	3/1927	Rosenblum	E04F 11/17
				52/179
1,789,875	A *	1/1931	Loudenslager	52/179
2,044,407	A *	6/1936	Smith	428/99
2,064,134	A *	12/1936	Weiland	52/179
D112,720	S *	12/1938	Pryale	D25/69
D167,994	S *	10/1952	McKay	D12/203
D263,131	S *	2/1982	Mitchell	D12/203
D389,588	S *	1/1998	Dunk	D25/69
5,817,399	A *	10/1998	Kalman	428/143

(Continued)

(**) Term: **14 Years**

Primary Examiner — Celia Murphy

Assistant Examiner — Clare Ann Gannon

(21) Appl. No.: **29/506,577**

(74) *Attorney, Agent, or Firm* — Smith Tempel Blaha LLC; Matthew T. Hoots

(22) Filed: **Oct. 17, 2014**

(51) **LOC (10) Cl.** **06-11**

(52) **U.S. Cl.**
USPC **D6/582**

(58) **Field of Classification Search**
 USPC D2/860; D5/63; D6/582-592, 598, 603, D6/606, 612-614, 617-619, 707.1, D6/707.12, 707.16, 707.18, 707.22; D21/312, 334, 350, 361; D25/68, 69; D32/55, 56, 57; 273/127 B, 277
 CPC A47G 11/00; A47G 23/06; A47G 23/08; A47G 23/12; A47G 27/02; A47G 27/025; A47G 27/0275; A47G 27/0281; A47G 27/0287; A47L 23/22; A47L 23/26; A63F 3/00028

See application file for complete search history.

(57) **CLAIM**

The ornamental design for a step cover, as shown and described.

DESCRIPTION

FIG. 1 is a top and front perspective view of my new ornamental design for a step cover;
 FIG. 2 is an enlarged left-side view, and right-side mirror image, of the step cover shown in FIG. 1;
 FIG. 3 is a top view of the step cover shown in FIG. 1;
 FIG. 4 is a bottom view of the step cover shown in FIG. 1;
 FIG. 5 is an enlarged front view of the step cover shown in FIG. 1;
 FIG. 6 is an enlarged rear view of the step cover shown in FIG. 1; and,
 FIG. 7 is a detailed view of the portion of the step cover circumscribed in FIG. 2.

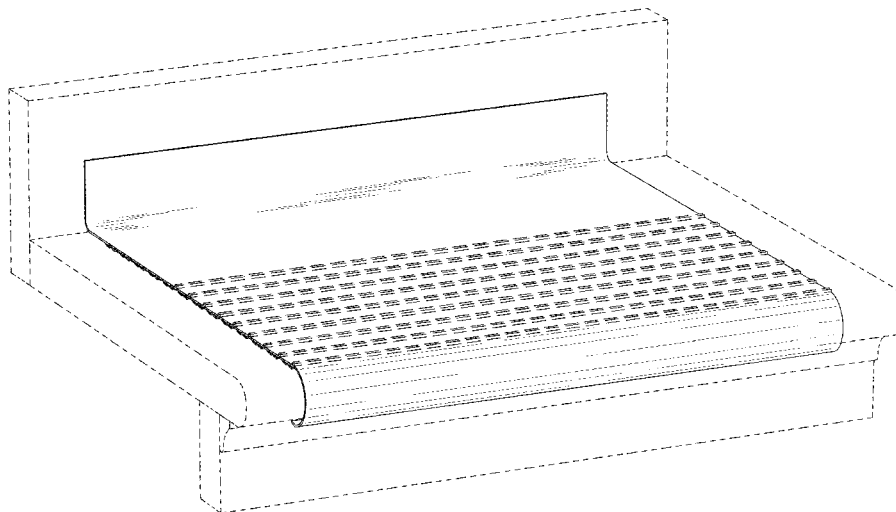
The dash-dash broken lines in the drawings of the step cover illustrate portions of the step cover that are not claimed. The dash-dot-dot broken lines in the drawings depict unclaimed environment and form no part of the claimed design.

1 Claim, 6 Drawing Sheets

(56) **References Cited**

U.S. PATENT DOCUMENTS

161,305	A *	3/1875	Walter	52/179
184,013	A *	11/1876	Krickl	E04F 11/17
				52/179
507,725	A *	10/1893	Zimmerman	A47G 27/0287
				52/179
1,373,366	A *	3/1921	Stanwood	B60R 3/00
				15/237



(56)

References Cited

U.S. PATENT DOCUMENTS

6,088,976	A *	7/2000	Roy	A47G 27/0287	52/177
6,318,033	B1 *	11/2001	Birch et al.		52/182
D519,648	S *	4/2006	Enersen	D25/69	
D595,079	S *	6/2009	Preda	D6/582	
D655,554	S *	3/2012	Preda	D6/582	
D685,503	S *	7/2013	Gardner	D25/119	
D704,960	S *	5/2014	McCool	D6/582	
D733,326	S *	6/2015	Gribble	D25/69	
D755,538	S *	5/2016	Robbins, III	D6/585	
2003/0101665	A1 *	6/2003	Preda	A47G 27/0287	52/179
2005/0284043	A1 *	12/2005	Sorenson, Jr.		52/182
2006/0230693	A1 *	10/2006	Giordano		52/182
2006/0260224	A1 *	11/2006	Grenier		52/182
2008/0254253	A1 *	10/2008	Gallager		428/86
2009/0277104	A1 *	11/2009	McCool		52/179

* cited by examiner

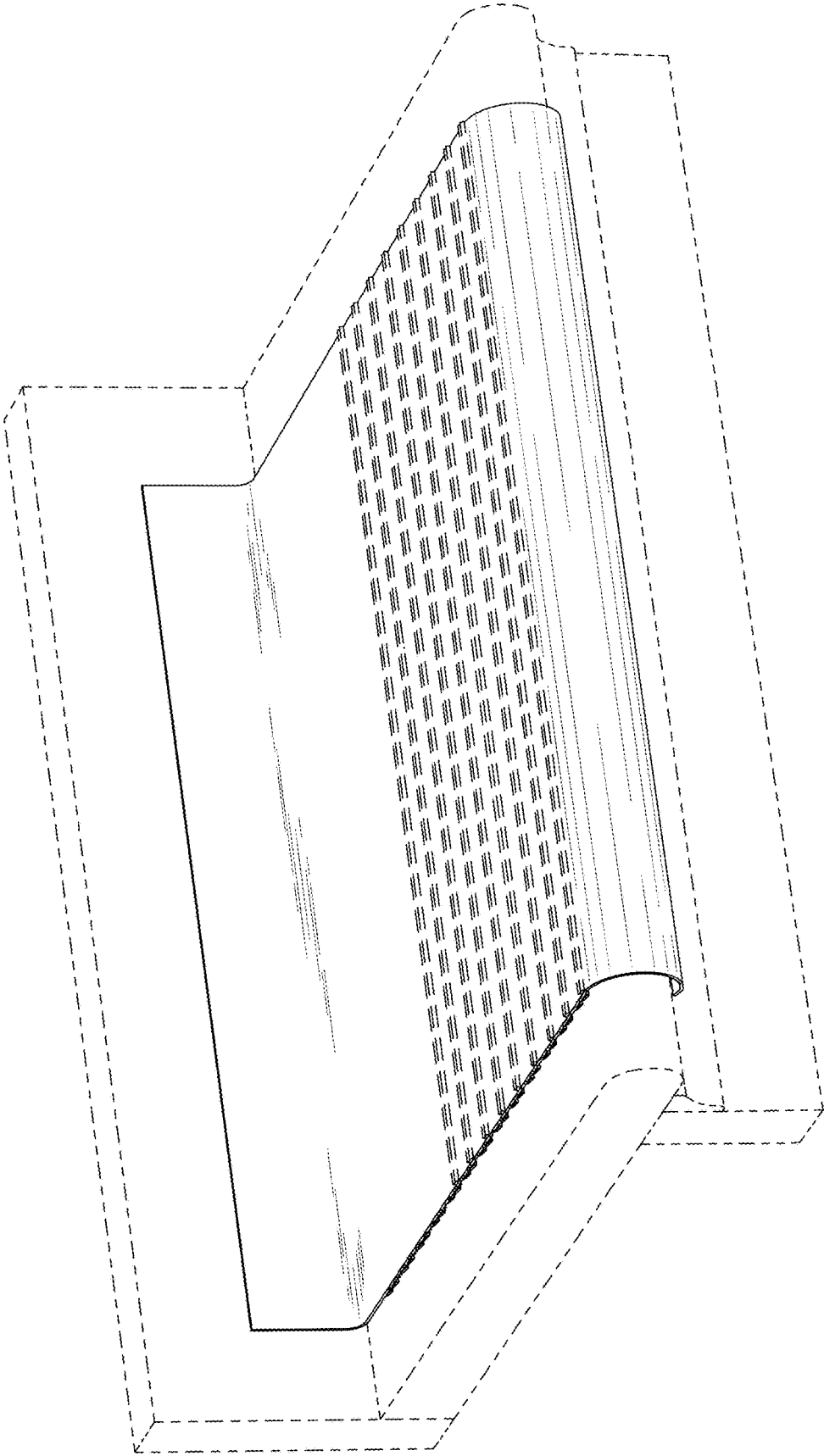


FIG. 1

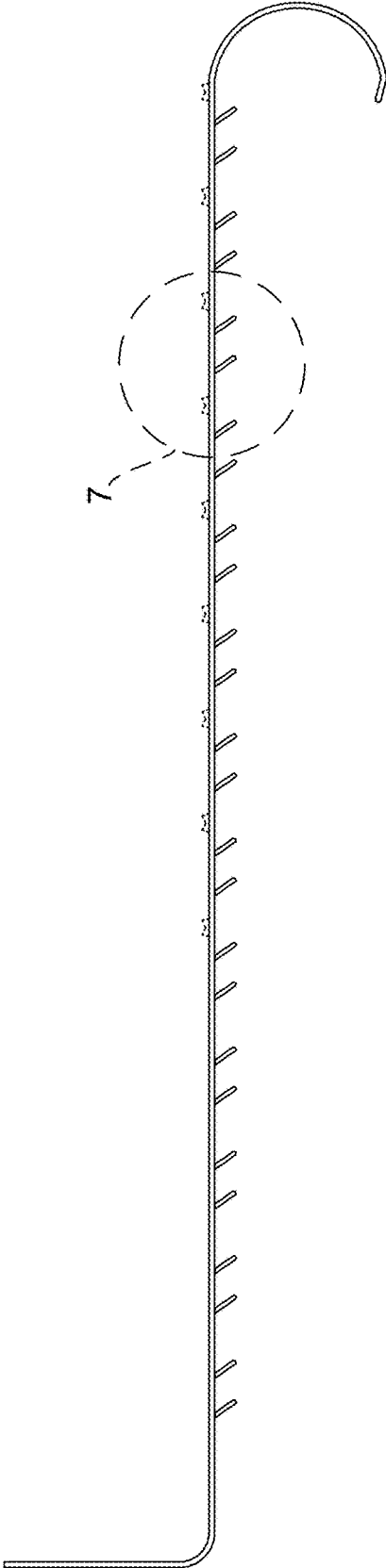


FIG. 2

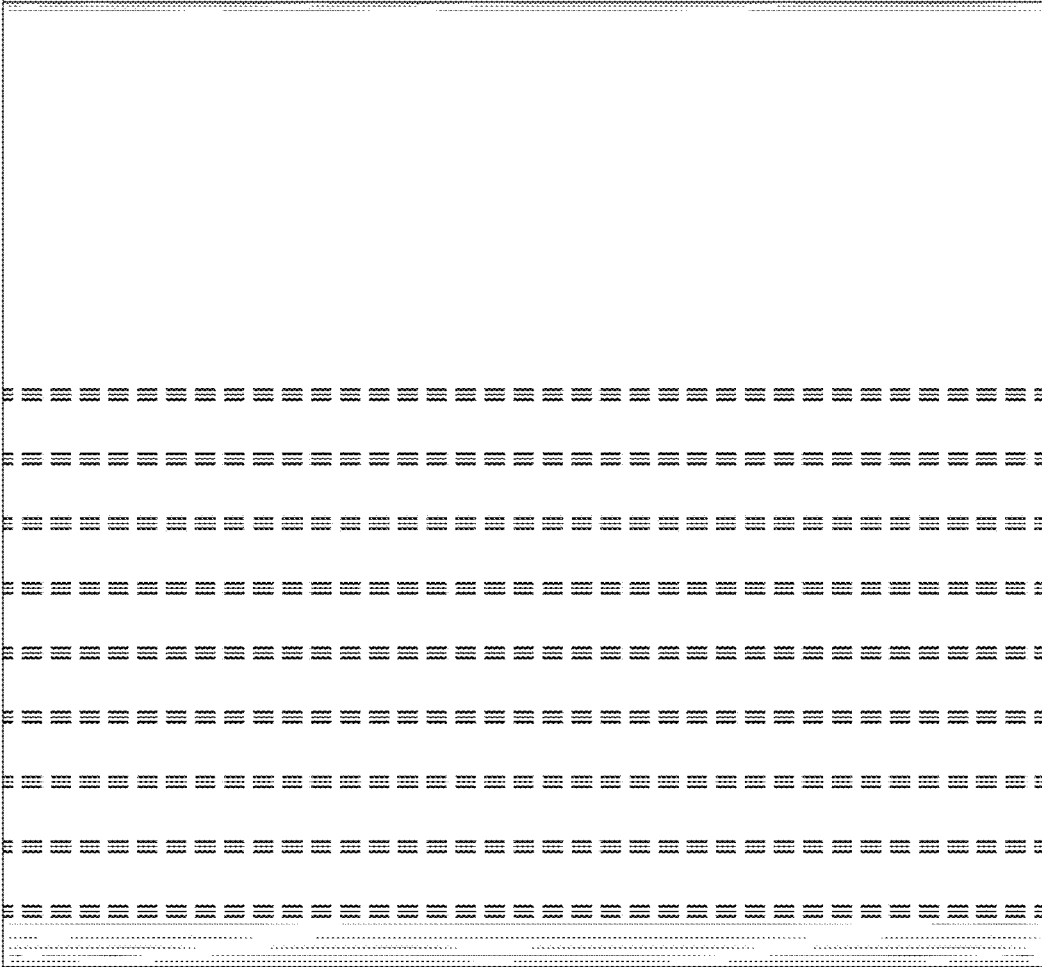


FIG. 3

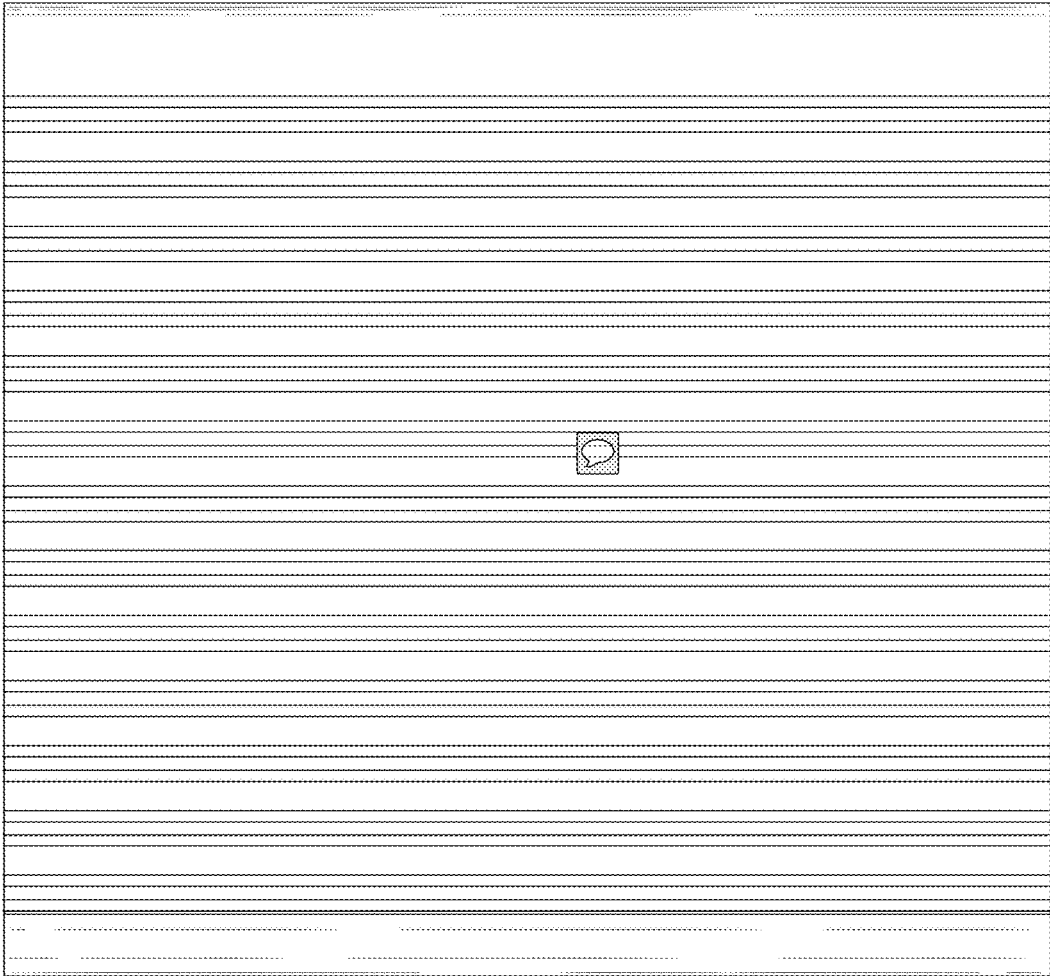


FIG. 4

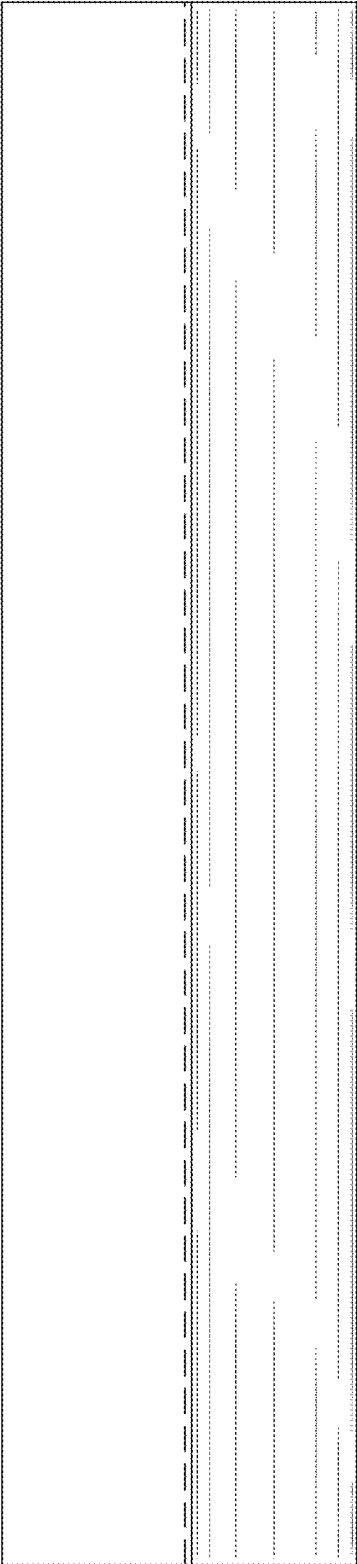


FIG. 5

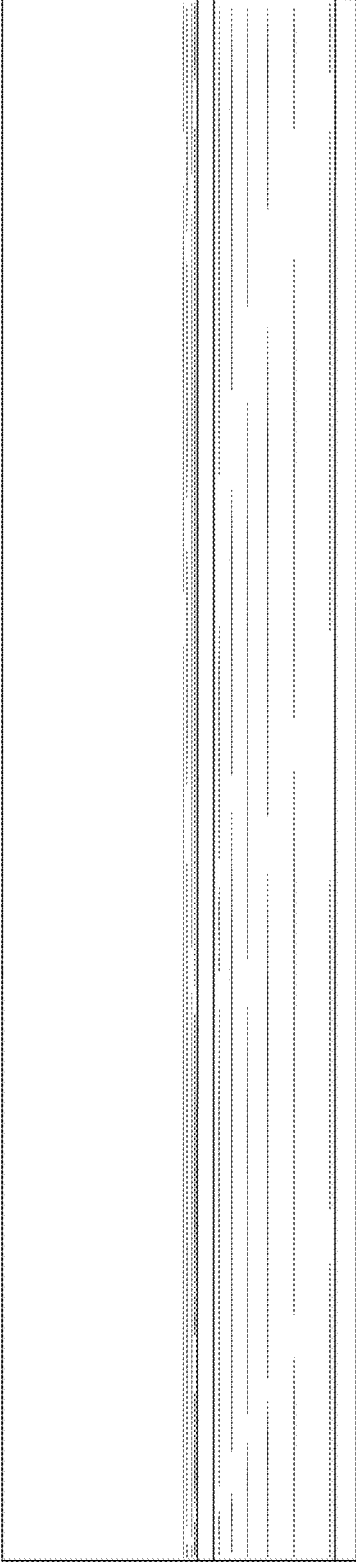


FIG. 6

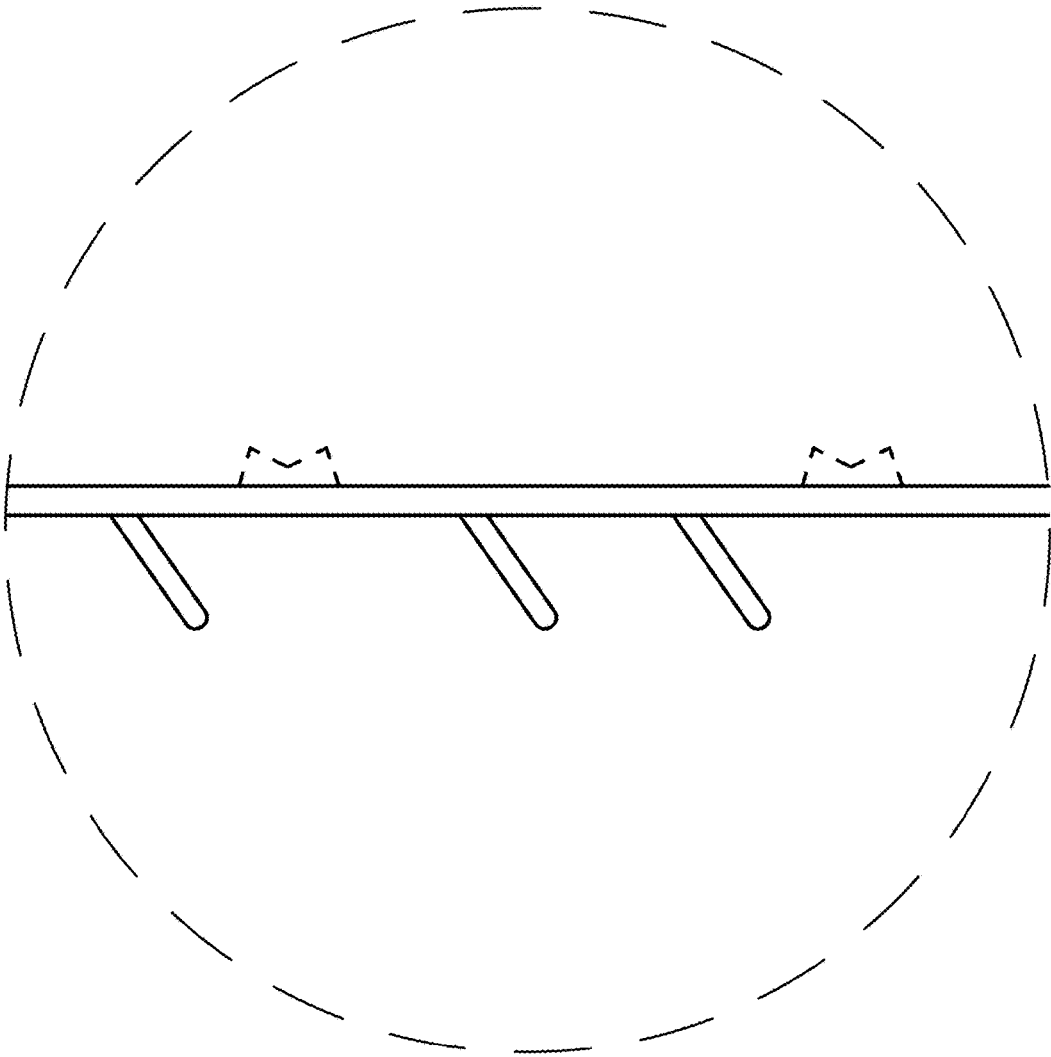


FIG. 7