



US00D760104S

(12) **United States Design Patent**
Jacobs et al.

(10) **Patent No.:** **US D760,104 S**

(45) **Date of Patent:** **** Jun. 28, 2016**

- (54) **LIGHT BAR**
- (71) Applicant: **STAR HEADLIGHT & LANTERN CO., INC.**, Avon, NY (US)
- (72) Inventors: **Christopher D. Jacobs**, Honeoye Falls, NY (US); **J. Douglas Richardson**, Pittsford, NY (US); **Tracy L. Andrew**, Livonia, NY (US); **Stephen T. Vukosic**, Avon, NY (US); **R. Michael Datz**, Greece, NY (US); **Corey Weterrings**, Livonia, NY (US)
- (73) Assignee: **STAR HEADLIGHT & LANTERN CO., INC.**, Avon, NY (US)
- (**) Term: **14 Years**
- (21) Appl. No.: **29/520,802**
- (22) Filed: **Mar. 18, 2015**
- (51) **LOC (10) Cl.** **10-05**
- (52) **U.S. Cl.**
USPC **D10/114.4**
- (58) **Field of Classification Search**
USPC D10/114.3-114.4; D26/72, 85
CPC B60R 1/12
See application file for complete search history.

D312,978 S	12/1990	Foster
5,027,260 A	6/1991	Lyons et al.
D345,316 S	3/1994	Green et al.
D375,180 S	10/1996	Lyons
5,585,782 A	12/1996	Yosko
D380,402 S	7/1997	Binder, Sr.
D402,909 S	12/1998	Stanuch
D403,445 S	12/1998	Talebi
D410,402 S	6/1999	Stein et al.
D432,038 S	10/2000	Sasaki et al.
D432,444 S	10/2000	Sasaki et al.
D462,027 S	8/2002	Ubiera
D469,711 S	2/2003	Neufeglise et al.
D476,253 S	6/2003	Stein et al.
6,722,776 B1	4/2004	Lyons et al.
D491,482 S	6/2004	Chiang
D498,861 S	11/2004	Sandoval
D499,976 S	12/2004	Neufeglise et al.
D578,683 S	10/2008	Huang
7,513,659 B2	4/2009	Vukosic et al.
D593,428 S	6/2009	Lyons
D603,740 S	11/2009	Lyons
D608,674 S *	1/2010	Lyons D10/114.4
D617,226 S	6/2010	Cai

(Continued)

Primary Examiner — George D Kirschbaum
(74) *Attorney, Agent, or Firm* — Kenneth J. Lukacher Law Group

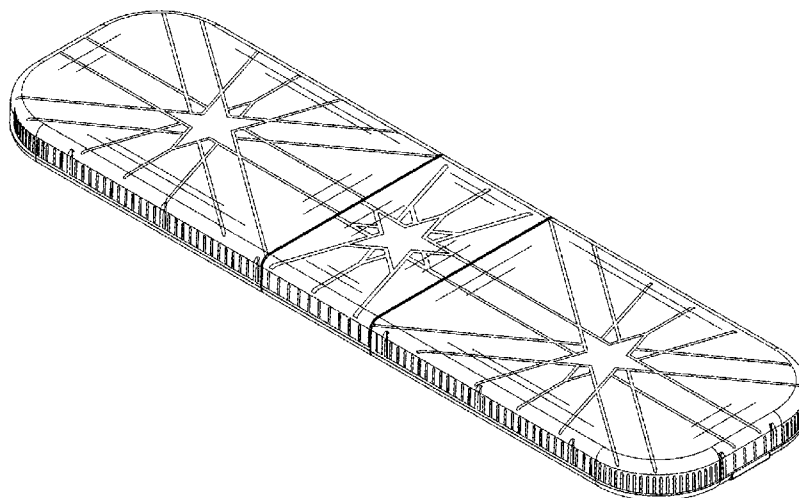
(57) **CLAIM**
The ornamental design for a light bar, as shown and described.

- (56) **References Cited**
U.S. PATENT DOCUMENTS
- | | | |
|-------------|---------|-----------------|
| 1,233,495 A | 7/1917 | Muckenhirn |
| 1,658,265 A | 2/1928 | Thompson |
| 1,847,134 A | 3/1932 | Nikonow |
| D220,058 S | 3/1971 | Bernstein |
| D262,659 S | 1/1982 | Latta et al. |
| D279,714 S | 7/1985 | Taylor |
| 4,588,118 A | 5/1986 | Ferenc et al. |
| D284,557 S | 7/1986 | Ferenc |
| 4,620,268 A | 10/1986 | Ferenc |
| D291,870 S | 9/1987 | Urbanski et al. |

DESCRIPTION

FIG. 1 is a perspective view from the top of a light bar embodying the invention;
FIG. 2 is a top plan view thereof;
FIG. 3 is an elevational view from the front thereof, the back elevation view thereof being identical thereto;
FIG. 4 is a right end view thereof, the left end view thereof being identical thereto; and,
FIG. 5 is a bottom plan view thereof.

1 Claim, 5 Drawing Sheets



(56)

References Cited

U.S. PATENT DOCUMENTS

D617,227 S 6/2010 Cai
7,821,380 B1 10/2010 Grote, Jr.
D627,247 S * 11/2010 Shin D10/114.4
7,854,531 B1 12/2010 Lyons
D630,118 S 1/2011 Shin
D632,199 S 2/2011 Jacobs et al.
D635,875 S 4/2011 Shin
7,918,596 B2 4/2011 Frank et al.
D638,732 S 5/2011 Burke et al.
D644,135 S 8/2011 Cai
D652,335 S 1/2012 Deyaf

D652,753 S 1/2012 Deyaf
D658,526 S 5/2012 Shin
D659,041 S 5/2012 Burke et al.
D663,227 S * 7/2012 Andrew D10/114.4
D672,263 S 12/2012 Reiter
D683,252 S * 5/2013 Andrew D10/114.4
8,550,674 B2 10/2013 Yu
8,585,263 B2 11/2013 Shipman
8,742,916 B2 6/2014 Burke et al.
D709,221 S 7/2014 Tsai et al.
D710,726 S 8/2014 Neufeglise
8,944,654 B1 2/2015 Lyons
2009/0213602 A1 8/2009 Gallegos
2014/0112004 A1 4/2014 Hwang et al.

* cited by examiner

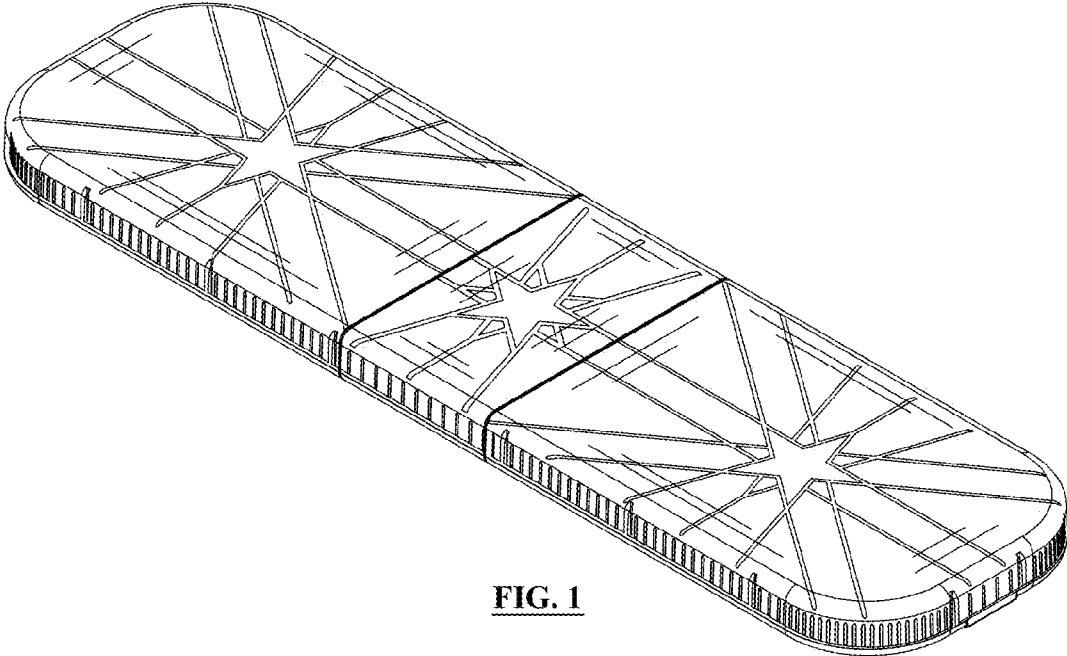


FIG. 1

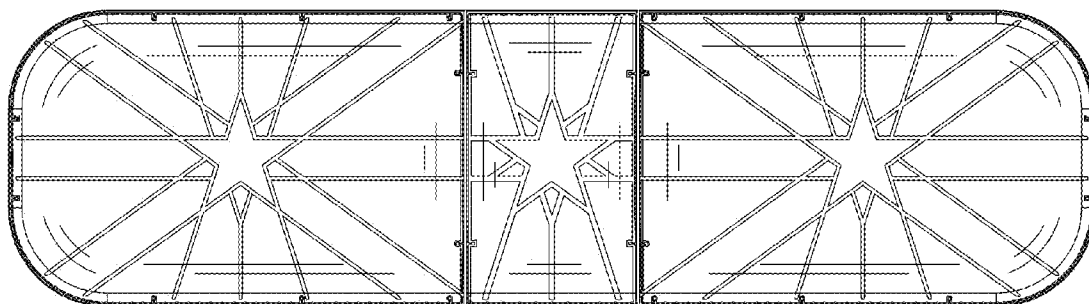


FIG. 2

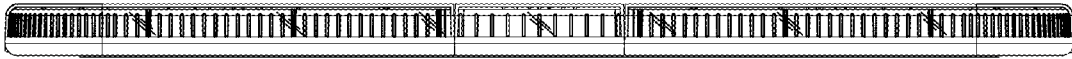


FIG. 3

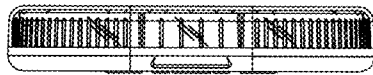


FIG. 4

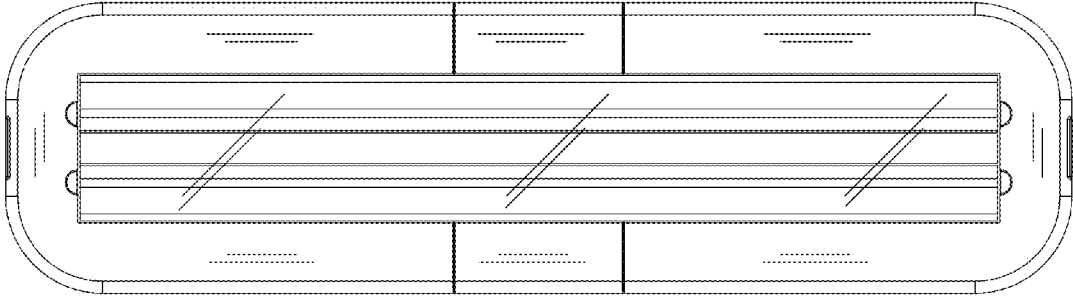


FIG. 5