

(19) World Intellectual Property Organization
International Bureau



(43) International Publication Date
4 November 2010 (04.11.2010)

(10) International Publication Number
WO 2010/126926 A3

(51) International Patent Classification:
D06F 73/02 (2006.01)

(21) International Application Number:
PCT/US2010/032650

(22) International Filing Date:
28 April 2010 (28.04.2010)

(25) Filing Language: English

(26) Publication Language: English

(30) Priority Data:
61/174,673 1 May 2009 (01.05.2009) US
61/217,557 1 June 2009 (01.06.2009) US

(71) Applicant (for all designated States except US): **THE PROCTER & GAMBLE COMPANY** [US/US]; One Procter & Gamble Plaza, Cincinnati, OH 45202 (US).

(72) Inventors; and

(75) Inventors/Applicants (for US only): **ROSELLE, Brian, Joseph** [US/US]; 1490 Bruton Parish Way, Fairfield, OH 45014 (US). **BISCHOFF, Corey, Michael** [US/US]; 2837 Urwiler Avenue, Cincinnati, OH 45211 (US). **SMITH, Christopher, Lawrence** [US/US]; 6221 Summerville Drive, Liberty Township, OH 45011 (US). **SABISCH, Markus** [DE/DE]; Schwalbacher Strasse 18G, 65529 Waldems (DE). **VON SARTORI-MONTE-**

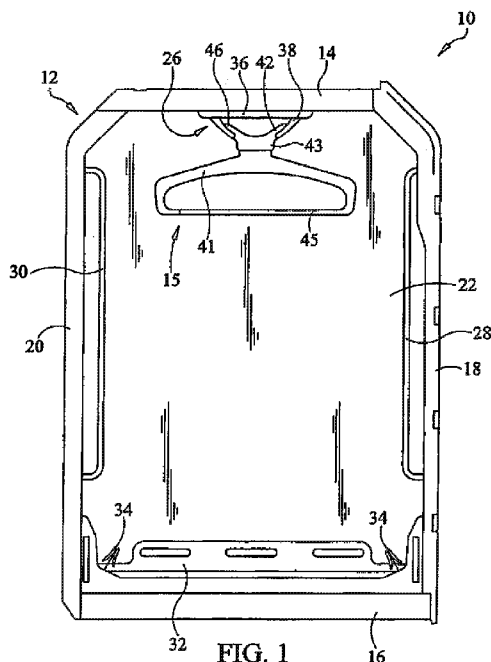
CROCE, Oliver [DE/DE]; 23, Talweg, 61476 Kronberg (DE). **KLEEMANN, Christof** [DE/DE]; Kronberger Strasse 11B, 65760 Eschborn (DE). **HOLLINGER, Stefan, Hubert** [DE/DE]; Friedensstrasse 62A, 61476 Kronberg im Taunus (DE). **BECK, Benjamin, Janes** [US/US]; 42 Melrose Street, Boston, MA 02116 (US). **DAMASCHKE, Robert, Hans-Joachim** [DE/DE]; Hauptstrasse 32, 65760 Eschborn, Hessen (DE). **MESCHKAT, Stephan, James, Andreas** [DE/DE]; Sandwiese 19, 65812 Bad Soden, Hessen (DE). **ULLRICH, Heiko** [DE/DE]; Sachsenring 1, 65817 Eppstein (DE). **MARSDEN, Douglas, Arthur** [US/US]; 18 Pilgrim Road, Marblehead, MA 01945 (US).

(74) Common Representative: **THE PROCTER & GAMBLE COMPANY**; c/o Eileen L. Hughett, Global Patent Services, 299 East Sixth Street, Sycamore Building, 4th Floor, Cincinnati, OH 45202 (US).

(81) Designated States (unless otherwise indicated, for every kind of national protection available): AE, AG, AL, AM, AO, AT, AU, AZ, BA, BB, BG, BH, BR, BW, BY, BZ, CA, CH, CL, CN, CO, CR, CU, CZ, DE, DK, DM, DO, DZ, EC, EE, EG, ES, FI, GB, GD, GE, GH, GM, GT, HN, HR, HU, ID, IL, IN, IS, JP, KE, KG, KM, KN, KP, KR, KZ, LA, LC, LK, LR, LS, LT, LU, LY, MA, MD, ME, MG, MK, MN, MW, MX, MY, MZ, NA, NG, NI, NO, NZ, OM, PE, PG, PH, PL, PT, RO, RS, RU, SC, SD,

[Continued on next page]

(54) Title: FABRIC TREATING SYSTEMS AND ACCESSORIES



(57) Abstract: A fabric treating system (10, 110) comprises an enclosure (12, 112) comprising a first wall (14), a second wall (16), and a fabric receiving space defined by the enclosure. The fabric treating system also comprises a support member (26) positioned proximate to the first wall. The support member is configured to support one of a hanger (15, 15', 15A, 204, 204', 300) configured to support a piece of fabric and the piece of fabric within the fabric receiving space. The fabric treating system also comprises a fabric tensioning system positioned at least on the second wall. The fabric tensioning system comprises at least a first fabric grasper (32, 32') configured to be attached to at least a first portion (42) of the piece of fabric to apply tension to the piece of fabric.

WO 2010/126926 A3



SE, SG, SK, SL, SM, ST, SV, SY, TH, TJ, TM, TN, TR, TT, TZ, UA, UG, US, UZ, VC, VN, ZA, ZM, ZW.

Published:

(84) Designated States (unless otherwise indicated, for every kind of regional protection available): ARIPO (BW, GH, GM, KE, LR, LS, MW, MZ, NA, SD, SL, SZ, TZ, UG, ZM, ZW), Eurasian (AM, AZ, BY, KG, KZ, MD, RU, TJ, TM), European (AT, BE, BG, CH, CY, CZ, DE, DK, EE, ES, FI, FR, GB, GR, HR, HU, IE, IS, IT, LT, LU, LV, MC, MK, MT, NL, NO, PL, PT, RO, SE, SI, SK, SM, TR), OAPI (BF, BJ, CF, CG, CI, CM, GA, GN, GQ, GW, ML, MR, NE, SN, TD, TG).

- with international search report (Art. 21(3))
- before the expiration of the time limit for amending the claims and to be republished in the event of receipt of amendments (Rule 48.2(h))

(88) Date of publication of the international search report:
23 December 2010

INTERNATIONAL SEARCH REPORT

International application No
PCT/US2010/032650

A. CLASSIFICATION OF SUBJECT MATTER INV. D06F73/02				
According to International Patent Classification (IPC) or to both national classification and IPC				
B. FIELDS SEARCHED				
Minimum documentation searched (classification system followed by classification symbols) D06F A47G				
Documentation searched other than minimum documentation to the extent that such documents are included in the fields searched				
Electronic data base consulted during the international search (name of data base and, where practical, search terms used) EPO-Internal				
C. DOCUMENTS CONSIDERED TO BE RELEVANT				
Category*	Citation of document, with indication, where appropriate, of the relevant passages	Relevant to claim No.		
X	WO 03/074776 A2 (PROCTER & GAMBLE [US]) 12 September 2003 (2003-09-12) page 6, line 30 - page 7, line 7 page 16, line 28 - page 17, line 21 page 19, line 23 - page 20, line 22 claims 1-10; figures 1-10 -----	1-6,10, 12		
X	US 5 815 961 A (ESTES KURT A [US] ET AL) 6 October 1998 (1998-10-06) column 1, line 28 - column 2, line 54 column 3, line 15 - column 4, line 59 column 5, line 5 - column 5, line 44 column 6, line 29 - column 7, line 20 figures 1-4,6,7 ----- -/--	1,2,4,7, 11,12		
<table style="width: 100%; border: none;"> <tr> <td style="width: 50%; border: none;"> <input checked="" type="checkbox"/> Further documents are listed in the continuation of Box C. </td> <td style="width: 50%; border: none;"> <input checked="" type="checkbox"/> See patent family annex. </td> </tr> </table>			<input checked="" type="checkbox"/> Further documents are listed in the continuation of Box C.	<input checked="" type="checkbox"/> See patent family annex.
<input checked="" type="checkbox"/> Further documents are listed in the continuation of Box C.	<input checked="" type="checkbox"/> See patent family annex.			
* Special categories of cited documents :				
<table style="width: 100%; border: none;"> <tr> <td style="width: 50%; border: none;"> "A" document defining the general state of the art which is not considered to be of particular relevance "E" earlier document but published on or after the international filing date "L" document which may throw doubts on priority claim(s) or which is cited to establish the publication date of another citation or other special reason (as specified) "O" document referring to an oral disclosure, use, exhibition or other means "P" document published prior to the international filing date but later than the priority date claimed </td> <td style="width: 50%; border: none;"> "T" later document published after the international filing date or priority date and not in conflict with the application but cited to understand the principle or theory underlying the invention "X" document of particular relevance; the claimed invention cannot be considered novel or cannot be considered to involve an inventive step when the document is taken alone "Y" document of particular relevance; the claimed invention cannot be considered to involve an inventive step when the document is combined with one or more other such documents, such combination being obvious to a person skilled in the art. "&" document member of the same patent family </td> </tr> </table>			"A" document defining the general state of the art which is not considered to be of particular relevance "E" earlier document but published on or after the international filing date "L" document which may throw doubts on priority claim(s) or which is cited to establish the publication date of another citation or other special reason (as specified) "O" document referring to an oral disclosure, use, exhibition or other means "P" document published prior to the international filing date but later than the priority date claimed	"T" later document published after the international filing date or priority date and not in conflict with the application but cited to understand the principle or theory underlying the invention "X" document of particular relevance; the claimed invention cannot be considered novel or cannot be considered to involve an inventive step when the document is taken alone "Y" document of particular relevance; the claimed invention cannot be considered to involve an inventive step when the document is combined with one or more other such documents, such combination being obvious to a person skilled in the art. "&" document member of the same patent family
"A" document defining the general state of the art which is not considered to be of particular relevance "E" earlier document but published on or after the international filing date "L" document which may throw doubts on priority claim(s) or which is cited to establish the publication date of another citation or other special reason (as specified) "O" document referring to an oral disclosure, use, exhibition or other means "P" document published prior to the international filing date but later than the priority date claimed	"T" later document published after the international filing date or priority date and not in conflict with the application but cited to understand the principle or theory underlying the invention "X" document of particular relevance; the claimed invention cannot be considered novel or cannot be considered to involve an inventive step when the document is taken alone "Y" document of particular relevance; the claimed invention cannot be considered to involve an inventive step when the document is combined with one or more other such documents, such combination being obvious to a person skilled in the art. "&" document member of the same patent family			
Date of the actual completion of the international search <p style="text-align: center; font-size: 1.2em;">28 July 2010</p>		Date of mailing of the international search report <p style="text-align: center; font-size: 1.2em;">28/10/2010</p>		
Name and mailing address of the ISA/ European Patent Office, P.B. 5818 Patentlaan 2 NL - 2280 HV Rijswijk Tel. (+31-70) 340-2040, Fax: (+31-70) 340-3016		Authorized officer <p style="text-align: center; font-size: 1.2em;">Weinberg, Ekkehard</p>		

INTERNATIONAL SEARCH REPORT

International application No
PCT/US2010/032650

C(Continuation). DOCUMENTS CONSIDERED TO BE RELEVANT

Category*	Citation of document, with indication, where appropriate, of the relevant passages	Relevant to claim No.
X	US 5 305 484 A (FITZPATRICK JOHN S [IE] ET AL) 26 April 1994 (1994-04-26) column 6, line 6 - column 6, line 22 column 7, line 51 - column 8, line 6 figures 1-5 <p align="center">-----</p>	1,12

INTERNATIONAL SEARCH REPORT

International application No.
PCT/US2010/032650

Box No. II Observations where certain claims were found unsearchable (Continuation of item 2 of first sheet)

This international search report has not been established in respect of certain claims under Article 17(2)(a) for the following reasons:

1. Claims Nos.:
because they relate to subject matter not required to be searched by this Authority, namely:

2. Claims Nos.:
because they relate to parts of the international application that do not comply with the prescribed requirements to such an extent that no meaningful international search can be carried out, specifically:

3. Claims Nos.:
because they are dependent claims and are not drafted in accordance with the second and third sentences of Rule 6.4(a).

Box No. III Observations where unity of invention is lacking (Continuation of item 3 of first sheet)

This International Searching Authority found multiple inventions in this international application, as follows:

see additional sheet

1. As all required additional search fees were timely paid by the applicant, this international search report covers all searchable claims.
2. As all searchable claims could be searched without effort justifying an additional fees, this Authority did not invite payment of additional fees.
3. As only some of the required additional search fees were timely paid by the applicant, this international search report covers only those claims for which fees were paid, specifically claims Nos.:
4. No required additional search fees were timely paid by the applicant. Consequently, this international search report is restricted to the invention first mentioned in the claims; it is covered by claims Nos.:

1-12

Remark on Protest

- The additional search fees were accompanied by the applicant's protest and, where applicable, the payment of a protest fee.
- The additional search fees were accompanied by the applicant's protest but the applicable protest fee was not paid within the time limit specified in the invitation.
- No protest accompanied the payment of additional search fees.

FURTHER INFORMATION CONTINUED FROM PCT/ISA/ 210

This International Searching Authority found multiple (groups of) inventions in this international application, as follows:

1. claims: 1-12

are directed to a fabric treating system comprising an enclosure and a support member positioned proximate to a first wall of the enclosure and a fabric tensioning system positioned at least on the second wall of the enclosure (cf. claim 1), the fabric tensioning system comprising particular features (cf. claims 2-11);

2. claim: 13

is directed to a kit comprising at least one fabric hanger, a container of a fabric treatment solution and one tensioner configured to tension a pocket;

3. claim: 14

are directed to a fabric tensioning apparatus comprising a support beam, a collar engaged with the support beam, first and second fabric engaging portions, and a biasing member.

4. claim: 15

are directed to a fabric hanger comprising a collar, an arm configured to support at least one fabric, a first hanging member, and a separate second hanging member.

INTERNATIONAL SEARCH REPORT

Information on patent family members

International application No PCT/US2010/032650
--

Patent document cited in search report	Publication date	Patent family member(s)	Publication date
WO 03074776	A2	12-09-2003	AU 2002367568 A1 16-09-2003
			BR 0215194 A 16-11-2004
			CA 2468848 A1 12-09-2003
			CN 1602374 A 30-03-2005
			EP 1456456 A2 15-09-2004
			JP 4008416 B2 14-11-2007
			JP 2005518891 T 30-06-2005
			MX PA04006024 A 27-09-2004

US 5815961	A	06-10-1998	NONE

US 5305484	A	26-04-1994	NONE
