



US00D749414S

(12) **United States Design Patent**
Choi et al.

(10) **Patent No.:** **US D749,414 S**

(45) **Date of Patent:** **** Feb. 16, 2016**

(54) **PACKAGE**

(71) Applicant: **Samsung Electronics Co., Ltd.**,
Suwon-si (KR)

(72) Inventors: **Nu-Ri Choi**, Suwon-Si (KR);
Seok-Young Kang, Whaseong-Si (KR);
Seong-Wook Jeong, Seoul (KR)

(73) Assignee: **Samsung Electronics Co., Ltd.**,
Suwon-si (KR)

(**) Term: **14 Years**

(21) Appl. No.: **29/498,266**

(22) Filed: **Aug. 1, 2014**

(51) **LOC (10) Cl.** **09-07**

(52) **U.S. Cl.**
USPC **D9/434**

(58) **Field of Classification Search**

USPC D5/1-3, 7; D9/414, 415, 419, 432, 434,
D9/457, 500; D11/142, 155, 156; 206/494,
206/457, 527, 775; 215/379, 400; 220/660,
220/661, 676, 890; 229/87.08, 116.1,
229/123.1, 123.3, 221

CPC B65D 2203/02; B65D 5/4233; G09F 3/02
See application file for complete search history.

(56) **References Cited**

U.S. PATENT DOCUMENTS

D65,405 S * 8/1924 Freihofer D5/7
D67,875 S * 7/1925 Cluett D9/432
D73,209 S * 8/1927 Schilling D9/432
D79,888 S * 11/1929 MacMillan D9/432
D81,676 S * 7/1930 Webber D9/432

D120,151 S * 4/1940 Tobey D9/432
D123,205 S * 10/1940 Clackett D5/7
D135,294 S * 3/1943 Ost D9/432
D608,636 S * 1/2010 Seol D9/432
D642,911 S * 8/2011 Gonzalez D9/434
D649,452 S * 11/2011 Gonzalez D9/434
D654,789 S * 2/2012 Duval D9/432
D703,532 S * 4/2014 Merchant D9/434
D712,736 S * 9/2014 Hara D9/432
D715,141 S * 10/2014 Markle D9/434
D716,652 S * 11/2014 Abel D9/434
D736,082 S * 8/2015 Markle D9/434

* cited by examiner

Primary Examiner — Robert M Spear

Assistant Examiner — Darcey E Heflin

(74) *Attorney, Agent, or Firm* — NSIP Law

(57) **CLAIM**

We claim the ornamental design for a package, as shown and described.

DESCRIPTION

The file of this patent contains at least one drawing/photograph executed in color. Copies of this patent with color drawing(s)/photograph(s) will be provided by the Office upon request and payment of the necessary fee.

FIG. 1 is a front view of a package showing our new design; and,

FIG. 2 is a perspective view of FIG. 1.

The broken lines in the figures show portions of the packaging box which form no part of the claimed design.

The dot-dash broken lines in the figures represent an unclaimed boundary line and form no part of the claimed design.

1 Claim, 2 Drawing Sheets
(2 of 2 Drawing Sheet(s) Filed in Color)

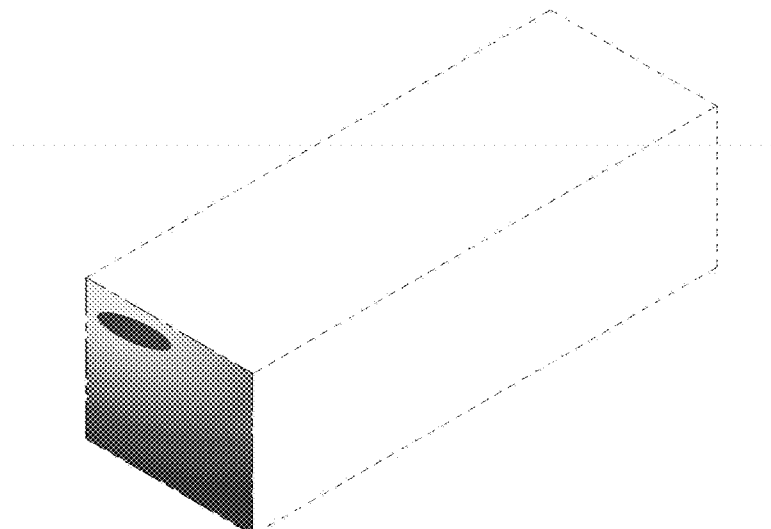


FIG. 1

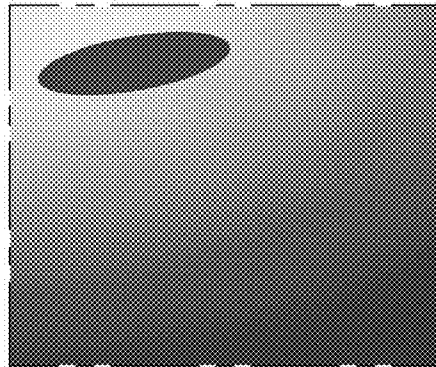


FIG. 2

