

(19) World Intellectual Property Organization
International Bureau



(43) International Publication Date
30 November 2006 (30.11.2006)

PCT

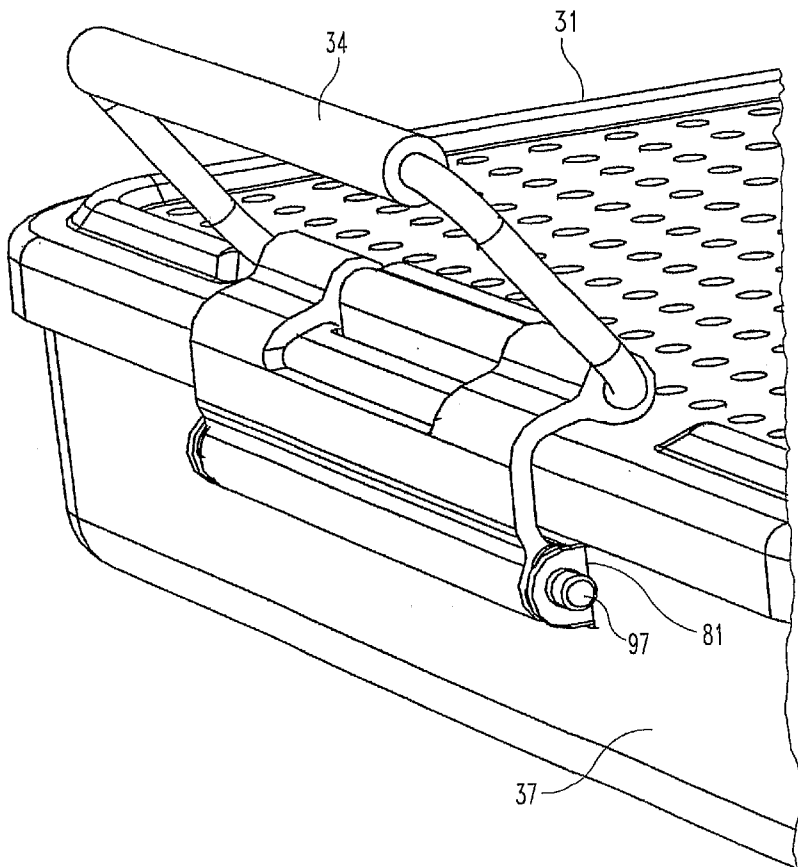
(10) International Publication Number
WO 2006/127230 A3

- (51) International Patent Classification:
B65D 83/10 (2006.01)
- (21) International Application Number:
PCT/US2006/017129
- (22) International Filing Date: 2 May 2006 (02.05.2006)
- (25) Filing Language: English
- (26) Publication Language: English
- (30) Priority Data:
11/135,989 24 May 2005 (24.05.2005) US
- (71) Applicant (for all designated States except US): **CONTAINMED, INC.** [US/US]; 4741 Pennington Court, Indianapolis, Indiana 46254-9555 (US).
- (72) Inventors; and
- (75) Inventors/Applicants (for US only): **BETTENHAUSEN, Todd, E.** [US/US]; 4741 Pennington Court, Indianapolis, Indiana 46254-9555 (US). **BETTENHAUSEN, Cary, A.** [US/US]; 10483 Split Rock Way, Indianapolis, Indiana 46234 (US).

- (74) Agents: **MORIARTY, John, V.** et al.; WOODARD, EMHARDT, MORIARTY, MCNETT & HENRY LLP, 111 Monument Circle, Suite 3700, Indianapolis, Indiana 46204 (US).
- (81) Designated States (unless otherwise indicated, for every kind of national protection available): AE, AG, AL, AM, AT, AU, AZ, BA, BB, BG, BR, BW, BY, BZ, CA, CH, CN, CO, CR, CU, CZ, DE, DK, DM, DZ, EC, EE, EG, ES, FI, GB, GD, GE, GH, GM, HR, HU, ID, IL, IN, IS, JP, KE, KG, KM, KN, KP, KR, KZ, LC, LK, LR, LS, LT, LU, LV, LY, MA, MD, MG, MK, MN, MW, MX, MZ, NA, NG, NI, NO, NZ, OM, PG, PH, PL, PT, RO, RU, SC, SD, SE, SG, SK, SL, SM, SY, TJ, TM, TN, TR, TT, TZ, UA, UG, US, UZ, VC, VN, YU, ZA, ZM, ZW.
- (84) Designated States (unless otherwise indicated, for every kind of regional protection available): ARIPO (BW, GH, GM, KE, LS, MW, MZ, NA, SD, SL, SZ, TZ, UG, ZM, ZW), Eurasian (AM, AZ, BY, KG, KZ, MD, RU, TJ, TM), European (AT, BE, BG, CH, CY, CZ, DE, DK, EE, ES, FI, FR, GB, GR, HU, IE, IS, IT, LT, LU, LV, MC, NL, PL, PT,

[Continued on next page]

(54) Title: CONTAINER FOR MEDICAL INSTRUMENTS AND IMPLANTS



(57) Abstract: A container system for organizing, protecting, sterilizing, storing and delivery of surgical instruments, implants and related devices. An optional cover is removably mounted to a tray and is held thereto by a pair of pivotally mounted handles. Post and button fasteners are removably mounted to the tray and hold rigid and flexible bracketry for securing devices within the assembly.

WO 2006/127230 A3



RO, SE, SI, SK, TR), OAPI (BF, BJ, CF, CG, CI, CM, GA, GN, GQ, GW, ML, MR, NE, SN, TD, TG).

— before the expiration of the time limit for amending the claims and to be republished in the event of receipt of amendments

Declarations under Rule 4.17:

- as to applicant's entitlement to apply for and be granted a patent (Rule 4.17(ii))
- as to the applicant's entitlement to claim the priority of the earlier application (Rule 4.17(iii))

(88) Date of publication of the international search report:
19 April 2007

Published:

- with international search report

For two-letter codes and other abbreviations, refer to the "Guidance Notes on Codes and Abbreviations" appearing at the beginning of each regular issue of the PCT Gazette.

INTERNATIONAL SEARCH REPORT

International application No.

PCT/US06/17129

A. CLASSIFICATION OF SUBJECT MATTER

IPC: **B65D 83/10** (2007.01)

USPC: Please See Continuation Sheet

According to International Patent Classification (IPC) or to both national classification and IPC

B. FIELDS SEARCHED

Minimum documentation searched (classification system followed by classification symbols)

U.S. : Please See Continuation Sheet

Documentation searched other than minimum documentation to the extent that such documents are included in the fields searched

Electronic data base consulted during the international search (name of data base and, where practicable, search terms used)

C. DOCUMENTS CONSIDERED TO BE RELEVANT

Category *	Citation of document, with indication, where appropriate, of the relevant passages	Relevant to claim No.
X	US 5,384,103 A (MILLER) 24 Jan 1995 (24.01.1995), whole document	1,4-7,19,25
S	US 5,540,901 A (RILEY) 30 July 1996 (30.07.1996), whole document.	28-32
Y	US 6,099,812 A (ALLEN et al.) 8 August 2000 (08.08.2000), whole document	22-24,27

<input type="checkbox"/> Further documents are listed in the continuation of Box C.	<input type="checkbox"/> See patent family annex.
* Special categories of cited documents:	
"A" document defining the general state of the art which is not considered to be of particular relevance	"T" later document published after the international filing date or priority date and not in conflict with the application but cited to understand the principle or theory underlying the invention
"E" earlier application or patent published on or after the international filing date	"X" document of particular relevance; the claimed invention cannot be considered novel or cannot be considered to involve an inventive step when the document is taken alone
"L" document which may throw doubts on priority claim(s) or which is cited to establish the publication date of another citation or other special reason (as specified)	"Y" document of particular relevance; the claimed invention cannot be considered to involve an inventive step when the document is combined with one or more other such documents, such combination being obvious to a person skilled in the art
"O" document referring to an oral disclosure, use, exhibition or other means	
"P" document published prior to the international filing date but later than the priority date claimed	"&" document member of the same patent family

Date of the actual completion of the international search 12 December 2006 (12.12.2006)	Date of mailing of the international search report 12 FEB 2007
Name and mailing address of the ISA/US Mail Stop PCT, Attn: ISA/US Commissioner for Patents P.O. Box 1450 Alexandria, Virginia 22313-1450 Facsimile No. (571) 273-3201	Authorized officer Mickey Yu Telephone No. (571) 272-7818

INTERNATIONAL SEARCH REPORT

International application No.
PCT/US06/17129

Continuation of B. FIELDS SEARCHED Item 1:

206/370,372,373,1.5,438,439;220/324,326,756,770,774;248/213.2;422,300206/370,372,373,1.5,438,439;220/324,326,756,770,774;248/213.2;422/300

Continuation of USPC:

206/370,372,373,1.5,438,439;220/324,326,756,770,774;248/213.2;422,300206/370,372,373,1.5,438,439;220/324,326,756,770,774;248/213.2;422/300