



US00D501997S

(12) **United States Design Patent**
Hassett

(10) **Patent No.:** **US D501,997 S**

(45) **Date of Patent:** **** Feb. 22, 2005**

(54) **DVD PLAYER CASE**

(75) **Inventor:** **Eric S. Hassett, Golden, CO (US)**

(73) **Assignee:** **Case Logic, Inc., Longmont, CO (US)**

(**) **Term:** **14 Years**

(21) **Appl. No.:** **29/195,126**

(22) **Filed:** **Dec. 4, 2003**

(51) **LOC (7) Cl. 03-01**

(52) **U.S. Cl. D3/294; D3/289; D12/416**

(58) **Field of Search D3/273, 276, 274, D3/289, 288, 283, 294; D12/415, 416; 206/320, 576; 296/37.15, 37.16; 224/275, 276, 277; 190/100, 110, 111, 113**

(56) **References Cited**

U.S. PATENT DOCUMENTS

4,383,626	A	5/1983	Weinblatt	234/275
4,635,110	A	1/1987	Weinblatt	358/93
D338,104	S *	8/1993	Lee	D3/287
D358,483	S *	5/1995	Cross et al.	D3/276
D360,075	S *	7/1995	Cross et al.	D3/276
D380,612	S *	7/1997	Kelley et al.	D3/289
5,725,189	A	3/1998	Landy	248/205.2
5,771,305	A	6/1998	Davis	381/188
5,887,723	A	3/1999	Myles et al.	206/760
5,887,777	A	3/1999	Myles et al.	224/578
5,971,148	A	10/1999	Jackson	206/320
D425,474	S *	5/2000	Bergh	D12/416

(List continued on next page.)

OTHER PUBLICATIONS

U.S. Appl. No. 29/203,199, filed Apr. 2004, Hassett.
Targus Vehicle Portable DVD Travel Case, Model #DVD401, http://www.targus.com/us/cases_media_dvd.asp, Aug. 18, 2004, (presumably first sold 11/03 as the Road Warrior Portable DVD Player Case).

Targus Portable DVD Player Travel Backpack, Model #DVD BP01, http://www.targus.com/us/cases_media_dvd.asp Aug. 18, 2004.

Case Logic 2000 Spring Catalog, p. 29.

Case Logic 2001 Catalog, p. 31.

Case Logic 2002 Catalog, p. 23.

Case Logic 2003 Catalog, p. 24.

Primary Examiner—Philip S. Hyder

(74) *Attorney, Agent, or Firm*—Sheridan Ross P.C.

(57) **CLAIM**

The ornamental design for a DVD player case, as shown and described.

DESCRIPTION

FIG. 1 is a front perspective view of a DVD player case showing my new design in an open position, the broken lines depicting environment and forming no part of the claimed design;

FIG. 2 is a front elevation view of the invention illustrated in FIG. 1;

FIG. 3 is a rear elevation view of the invention illustrated in FIG. 1;

FIG. 4 is a right elevation view of the invention illustrated in FIG. 1;

FIG. 5 is a left elevation view of the invention illustrated in FIG. 1;

FIG. 6 is a top plan view of the invention illustrated in FIG. 1;

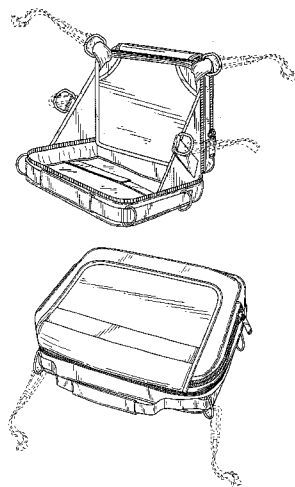
FIG. 7 is a bottom plan view of the invention illustrated in FIG. 1;

FIG. 8 is a front perspective view of the invention illustrated in FIG. 1, and shown in use between two bucket seats in an automobile the broken lines representing environment and forming no part of the claimed design;

FIG. 9 is a front perspective view of the invention illustrated in FIG. 1 and shown in use behind a headrest of a seat, the broken lines representing environment and forming no part of the claimed design; and,

FIG. 10 is a front perspective view of the invention illustrated in FIG. 1 shown in a closed position, the broken lines representing environment and forming no part of the claimed design.

1 Claim, 7 Drawing Sheets



US D501,997 S

Page 2

U.S. PATENT DOCUMENTS

6,092,705 A	7/2000	Meritt	224/275	6,283,299 B1 *	9/2001	Lee	206/760
6,097,448 A	8/2000	Perkins	348/837	6,473,315 B2	10/2002	Denmeade	361/831
6,109,434 A	8/2000	Howard, Jr.	206/320	D468,101 S	1/2003	Hassett	D3/283
6,145,661 A	11/2000	Jung	206/320	D473,510 S	4/2003	Denmeade	D12/416
6,216,927 B1	4/2001	Meritt	224/275	6,685,016 B2	2/2004	Swaim et al.	206/320
6,269,948 B1	8/2001	Jackson	206/320	2003/0029755 A1 *	2/2003	Ho	206/320
6,283,288 B1	9/2001	Rich	206/315.11	2003/0102235 A1 *	6/2003	Swaim et al.	206/320

* cited by examiner

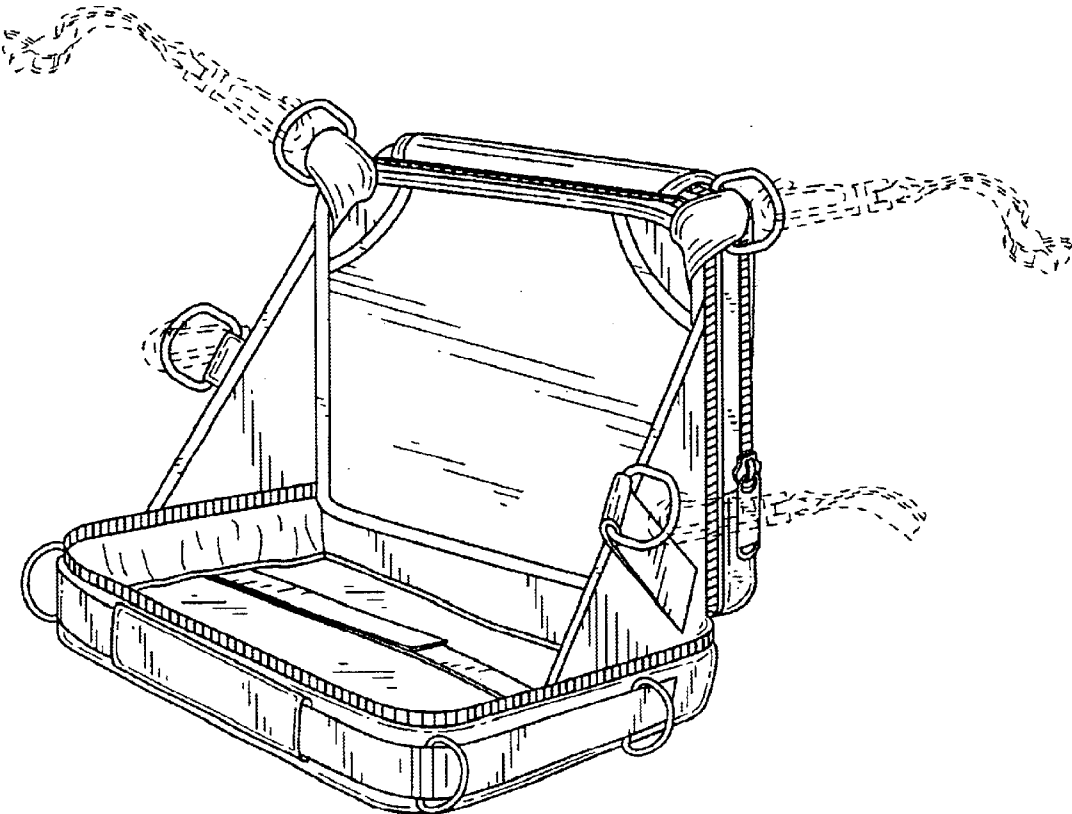


FIG.1

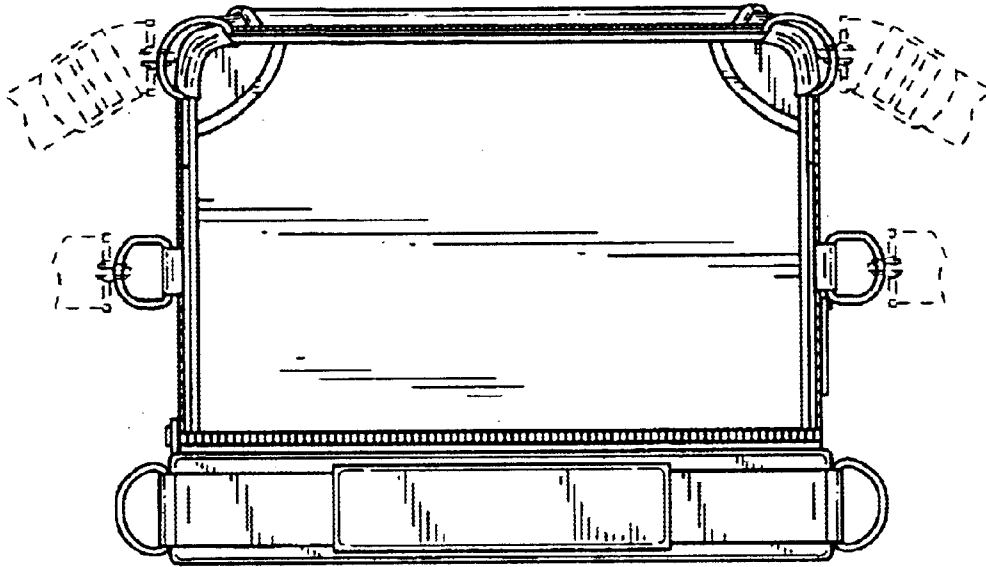


FIG. 2

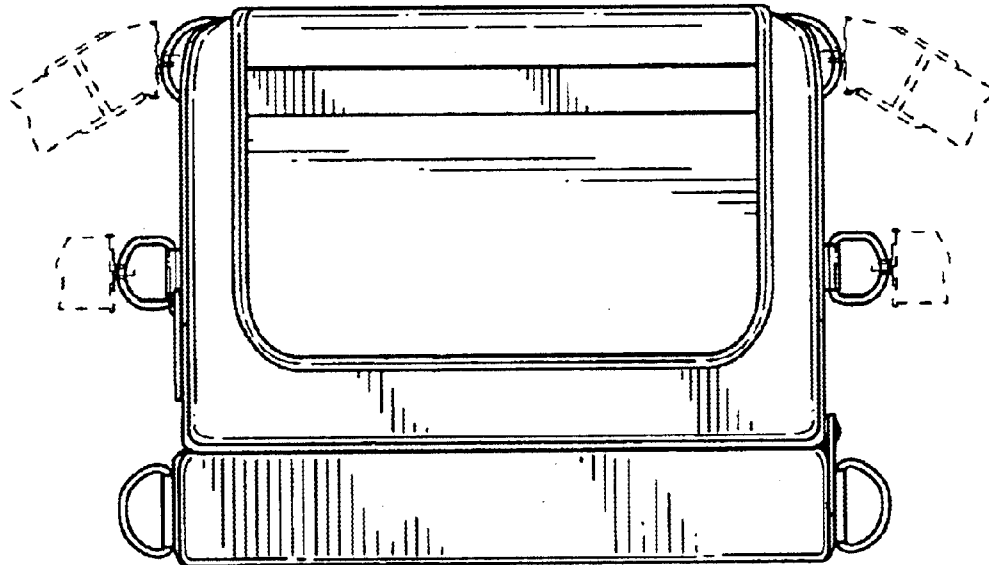


FIG. 3

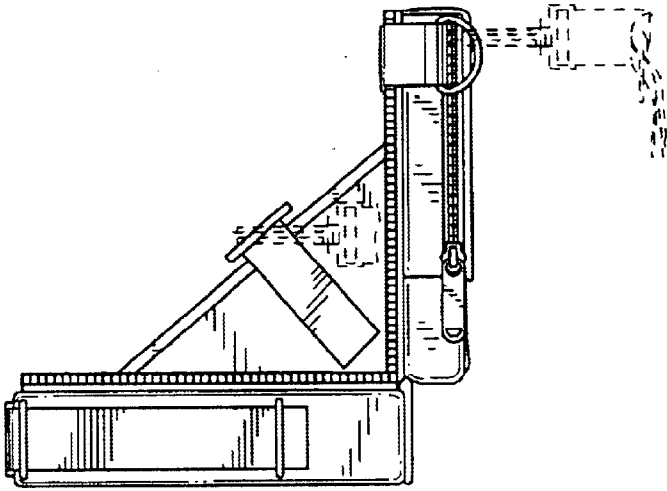


FIG.4

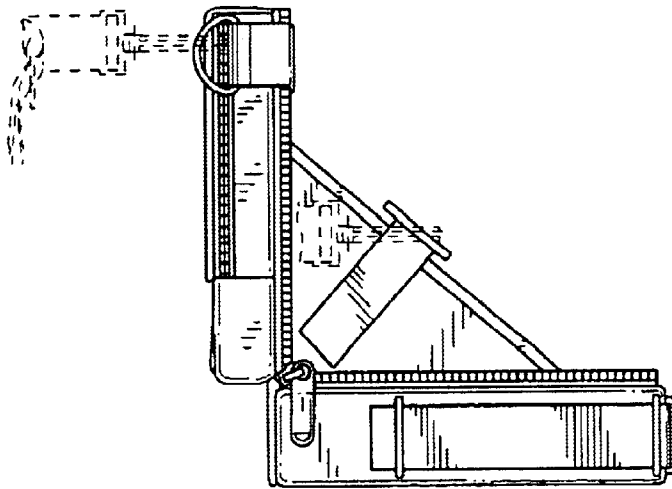


FIG.5

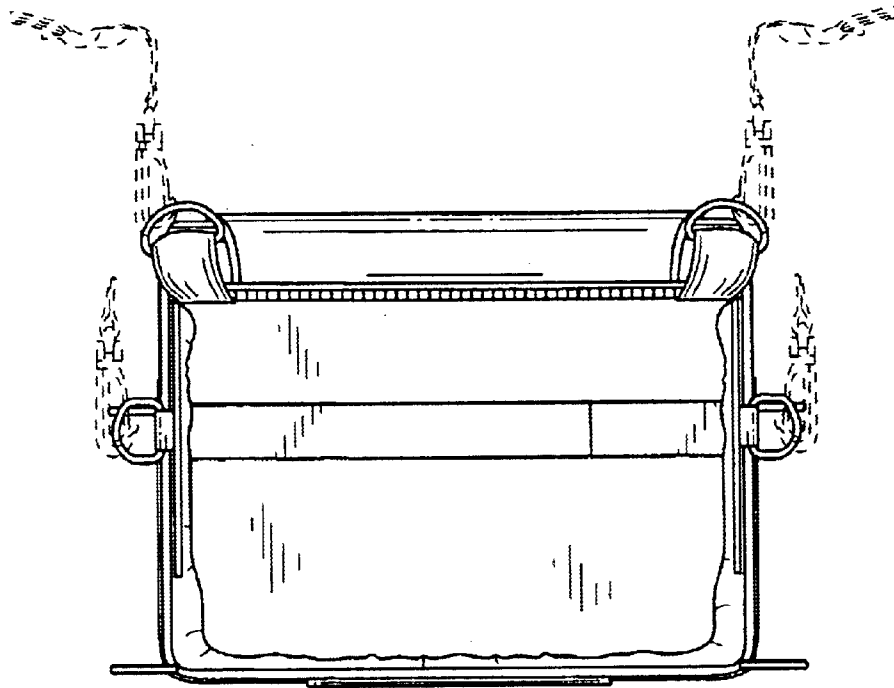


FIG. 6

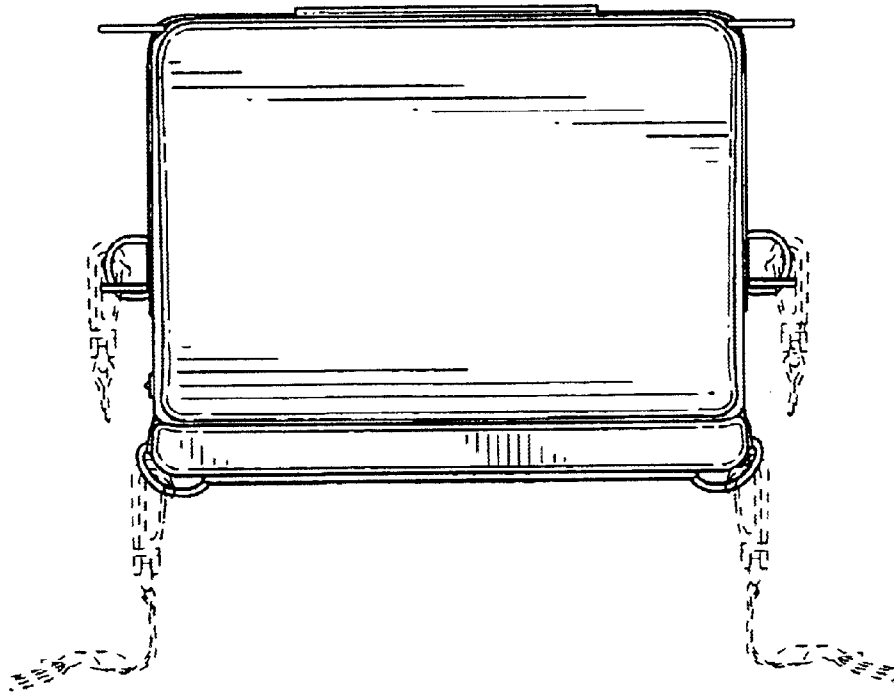


FIG. 7

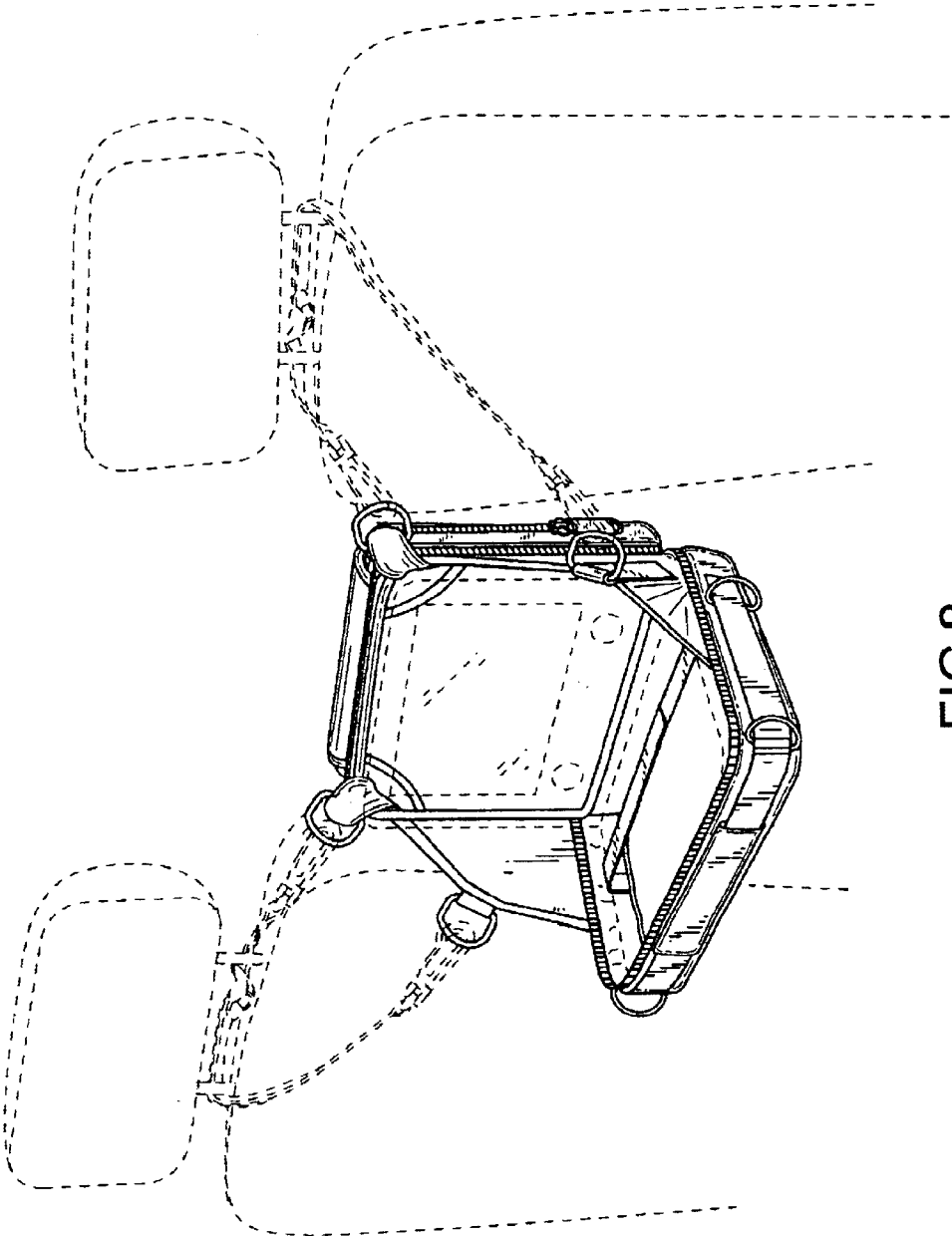


FIG.8

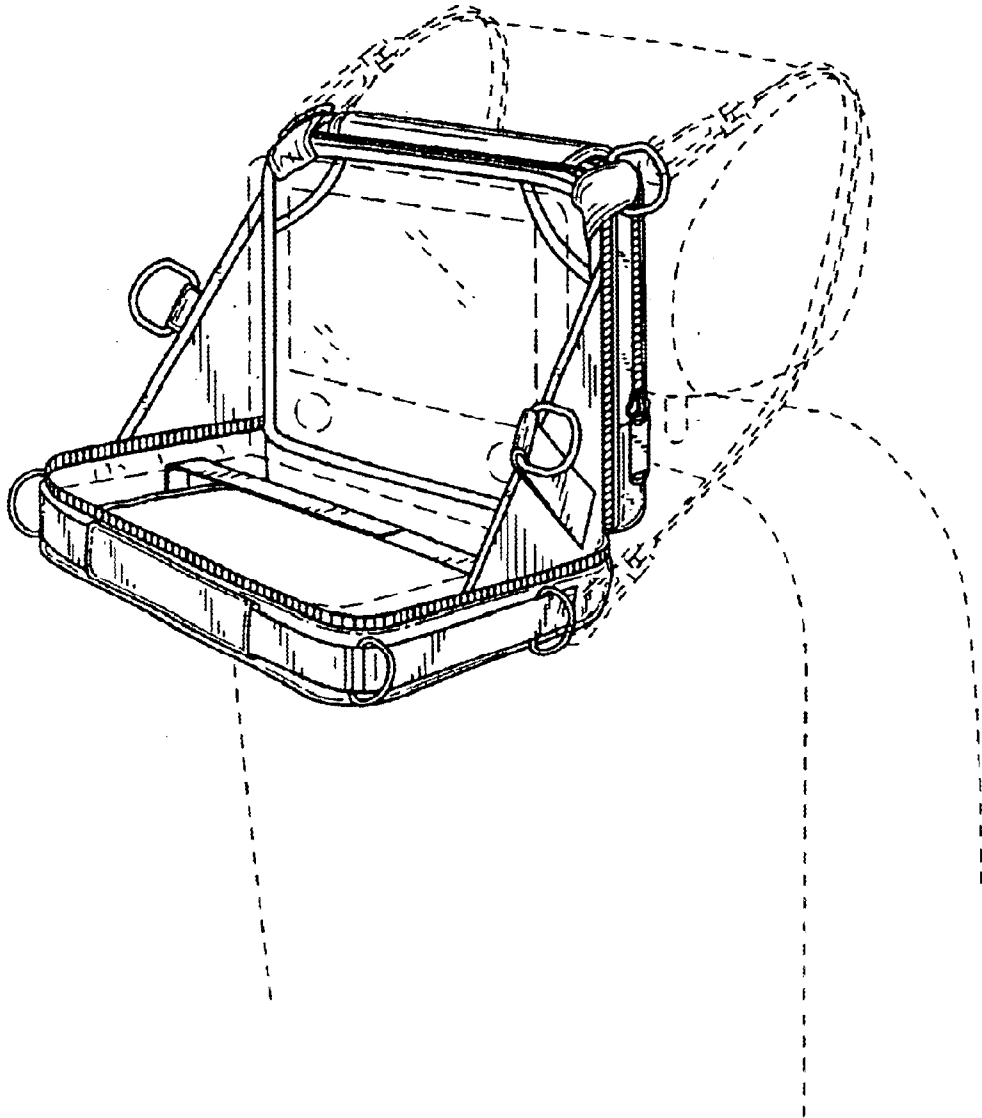


FIG.9

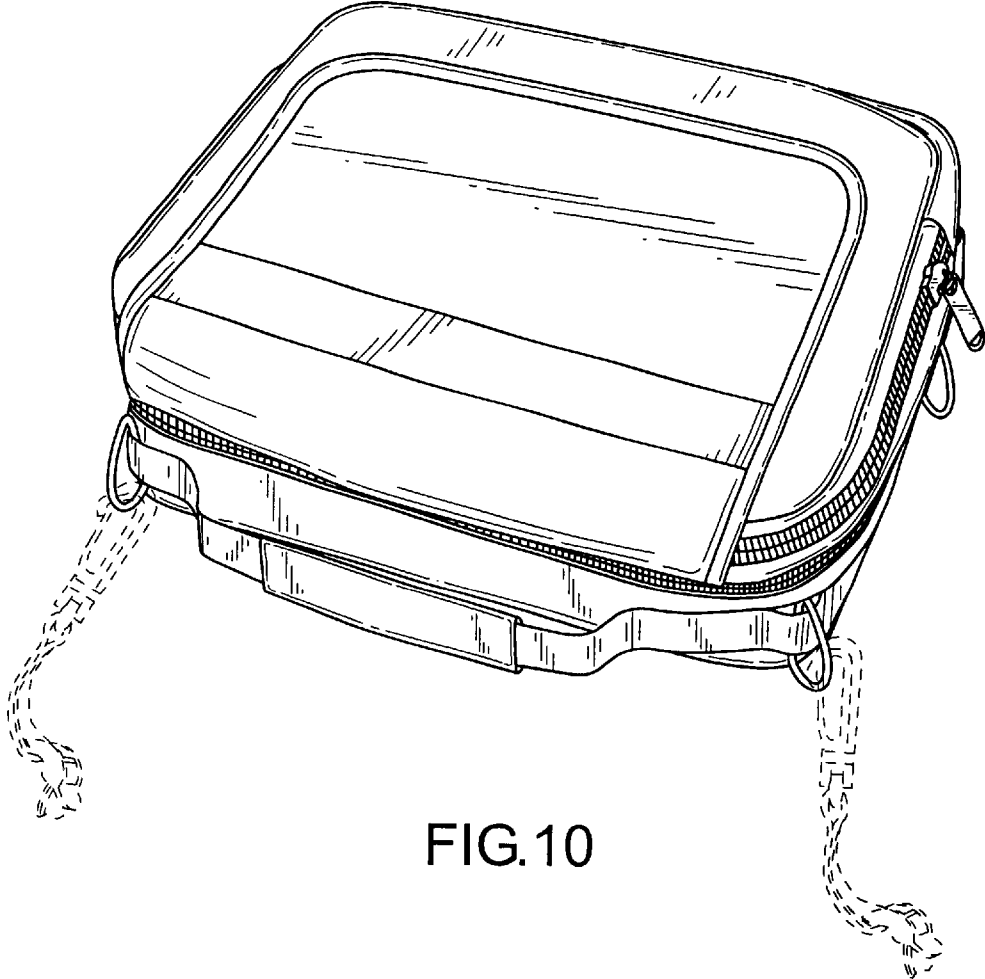


FIG.10