



US00D911705S

(12) **United States Design Patent**  
**Lee**

(10) **Patent No.:** **US D911,705 S**

(45) **Date of Patent:** **\*\* \*Mar. 2, 2021**

(54) **COVER FOR EARPHONE CHARGING CASE OR THE LIKE**

(71) Applicant: **elago CO. LTD**, Goyang-si (KR)

(72) Inventor: **Chanwoo Lee**, Goyang-si (KR)

(73) Assignee: **elago CO. LTD**, Goyang-si (KR)

(\* ) Notice: This patent is subject to a terminal disclaimer.

(\*\*) Term: **15 Years**

(21) Appl. No.: **29/752,963**

(22) Filed: **Sep. 29, 2020**

(51) **LOC (13) Cl.** ..... **03-01**

(52) **U.S. Cl.**  
USPC ..... **D3/269**

(58) **Field of Classification Search**

USPC ..... D14/203.3-203.7, 439, 251-253, 447, D14/217, 240, 238.1, 250, 440, 248; D13/103, 107-108, 119; D3/201, 218, D3/247, 249, 269, 273, 301, 303, 270, D3/271.1, 274, 294, 302; D10/98; D21/331  
CPC ..... H04B 1/3888; A45C 1/06; A45C 11/00; A45C 13/02; A45C 2011/002; A45F 2005/026; A45F 2200/0525; A45F 2200/0516; H04M 1/0283; H04M 1/0202  
See application file for complete search history.

(56) **References Cited**

**U.S. PATENT DOCUMENTS**

5,095,798 A \* 3/1992 Okada ..... A63F 13/00 463/35  
D329,470 S 9/1992 Kaneko  
D332,633 S 1/1993 Kojima  
D347,450 S \* 5/1994 Nagata ..... D21/331  
D383,798 S 9/1997 Yokoi et al.

D414,439 S 9/1999 Sugino  
D604,501 S \* 11/2009 Lee ..... D3/201  
D682,550 S \* 5/2013 Chun ..... D3/294  
D772,572 S \* 11/2016 Palmborg ..... D3/294  
D794,617 S \* 8/2017 Wright ..... D14/238.1  
D806,388 S \* 1/2018 Akana ..... D3/294  
9,961,431 B2 \* 5/2018 McPeak ..... A45C 11/24  
D834,301 S \* 11/2018 Poissant ..... D3/201

(Continued)

**FOREIGN PATENT DOCUMENTS**

CN 305353365 9/2019  
CN 305481865 12/2019

(Continued)

*Primary Examiner* — Carla J Wright

(74) *Attorney, Agent, or Firm* — Paratus Law Group, PLLC

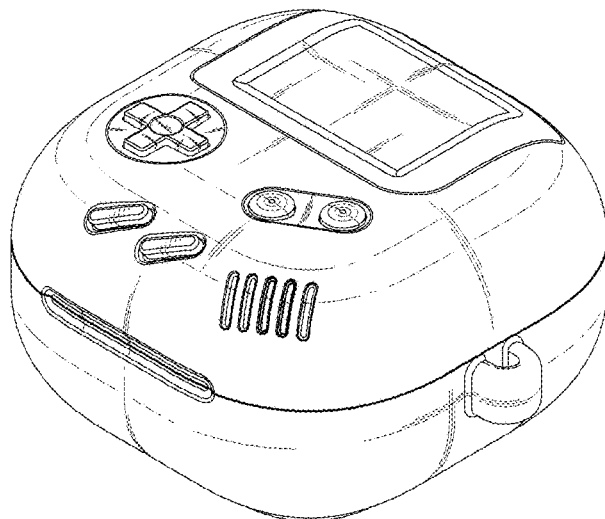
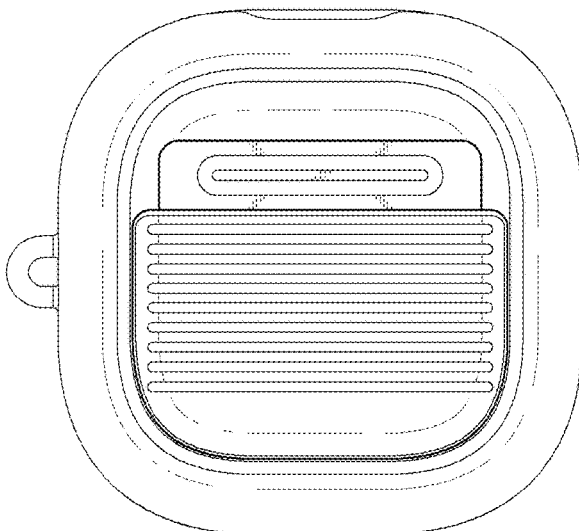
(57) **CLAIM**

The ornamental design for a cover for earphone charging case or the like, as shown and described.

**DESCRIPTION**

FIG. 1 is a front, top, and right-side perspective view of a cover for earphone charging case or the like showing my new design;  
FIG. 2 is a front view thereof;  
FIG. 3 is a back view thereof;  
FIG. 4 is a left side view thereof;  
FIG. 5 is a right side view thereof;  
FIG. 6 is a top view thereof;  
FIG. 7 is a bottom view thereof;  
FIG. 8 is a front, bottom, and right-side perspective view thereof; and,  
FIG. 9 is a back, bottom, and right-side perspective view thereof.  
The interior of the cover for earphone charging case or the like, seen through the opening in FIGS. 1 and 6, forms no part of the claimed design.

**1 Claim, 5 Drawing Sheets**



# US D911,705 S

Page 2

(56)

## References Cited

### U.S. PATENT DOCUMENTS

D838,480 S \* 1/2019 Son ..... D3/294  
D849,401 S \* 5/2019 Akana ..... D3/274  
D851,652 S \* 6/2019 Lee ..... D14/447  
D853,116 S \* 7/2019 Bergman ..... D3/294  
D864,565 S \* 10/2019 Lee ..... D3/271.1  
D864,971 S \* 10/2019 Lee ..... D14/440  
D868,453 S \* 12/2019 Lee ..... D3/201  
D869,161 S \* 12/2019 Zhong ..... D3/294  
D872,094 S \* 1/2020 Wright ..... D14/440  
D872,468 S \* 1/2020 Lee ..... D3/269  
D872,469 S 1/2020 Lee et al.  
D873,217 S \* 1/2020 Zhang ..... D13/108  
D878,048 S \* 3/2020 Wang ..... D3/294  
D878,754 S 3/2020 Lee et al.  
D881,566 S \* 4/2020 Lee ..... D3/271.1  
D881,572 S \* 4/2020 Wang ..... D3/294  
D881,867 S \* 4/2020 Lee ..... D14/250

D882,259 S \* 4/2020 Liu ..... D3/269  
D882,262 S \* 4/2020 Zhang ..... D3/294  
D886,453 S \* 6/2020 Wright ..... D3/294  
D886,454 S \* 6/2020 Williamson ..... D3/294  
D890,765 S 7/2020 Lee et al.  
D891,774 S \* 8/2020 Yu ..... D3/294  
D892,498 S \* 8/2020 Wright ..... D3/294  
D893,166 S \* 8/2020 Lu ..... D3/201  
D893,184 S \* 8/2020 Liu ..... D3/294  
D893,185 S \* 8/2020 Liu ..... D3/294  
D895,285 S \* 9/2020 Hutchison ..... D3/294  
D903,320 S \* 12/2020 Lee ..... D3/302

### FOREIGN PATENT DOCUMENTS

CN 305900014 7/2020  
KR 20-0491387 Y1 5/2020  
KR 301071466.0000 8/2020  
KR 301072559.0000 8/2020

\* cited by examiner

FIG. 1

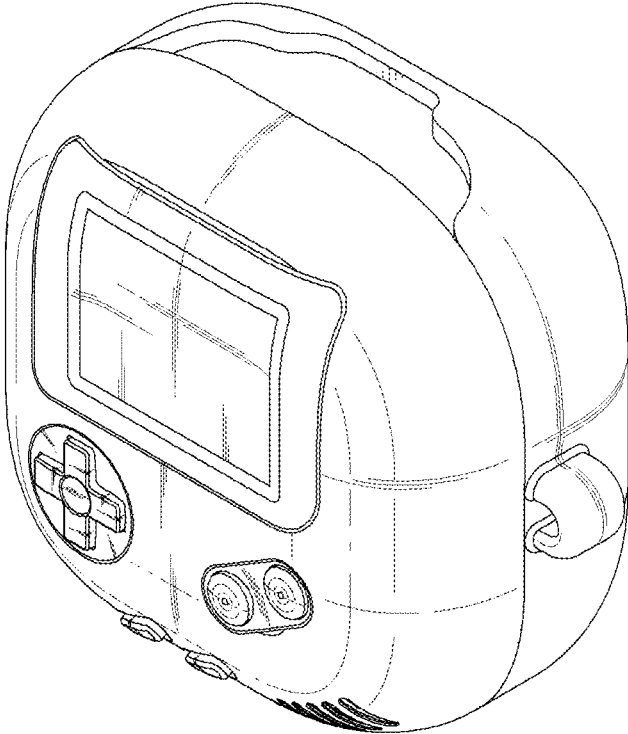


FIG. 2

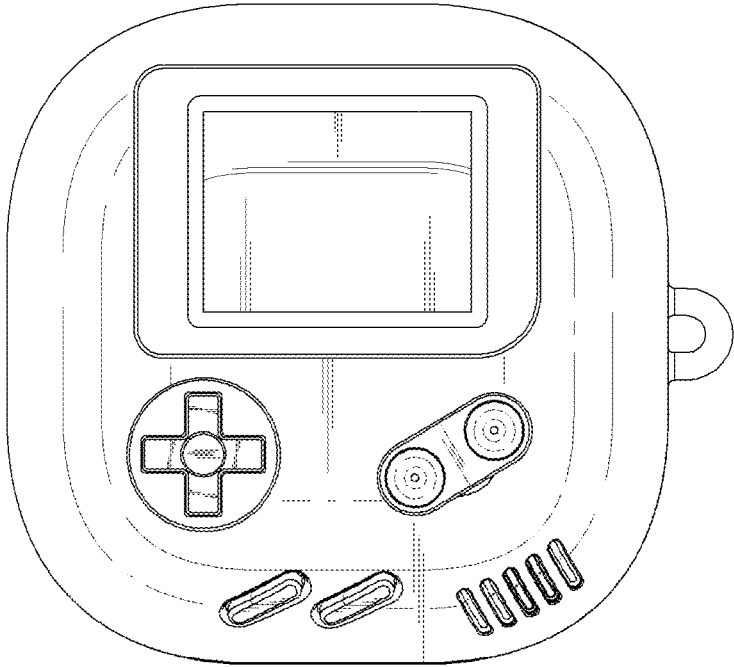


FIG. 3

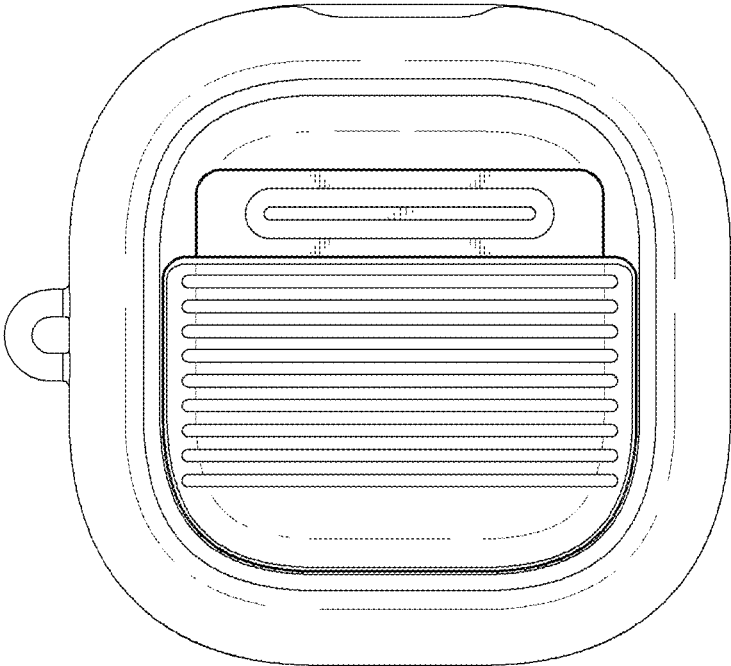


FIG. 4

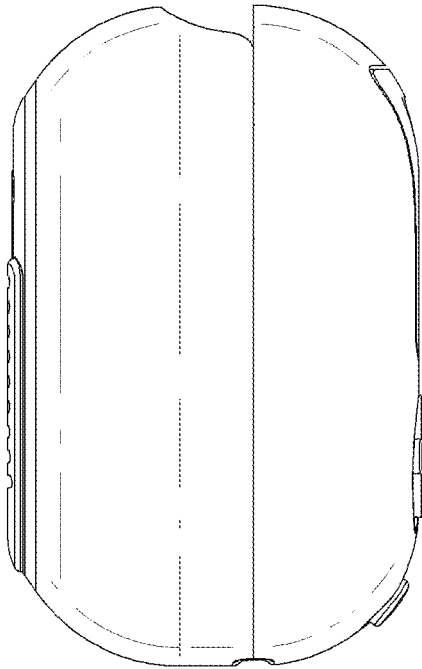


FIG. 5

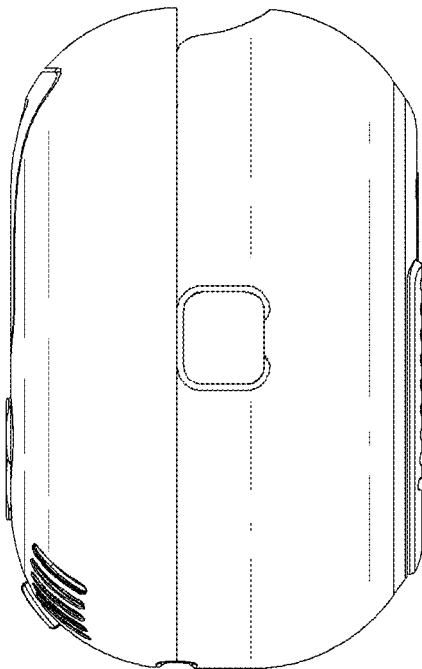


FIG. 6

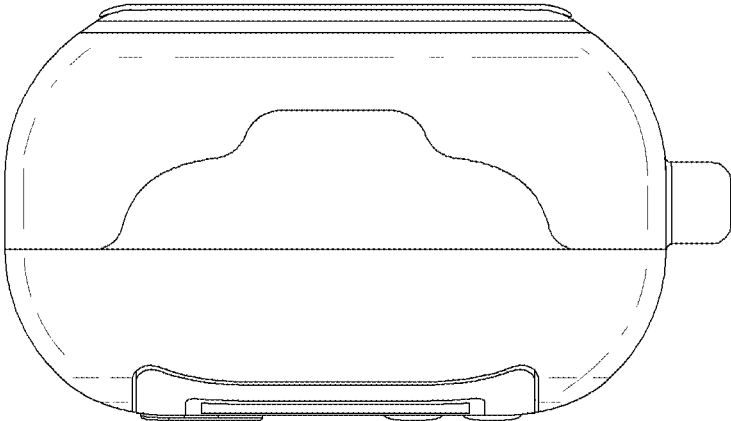


FIG. 7

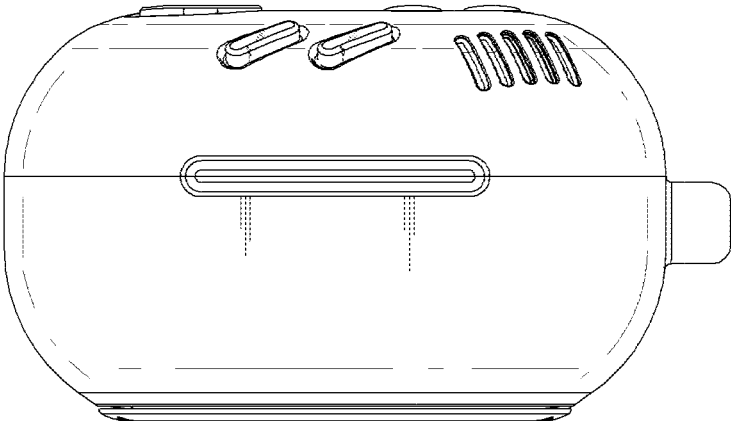


FIG. 8

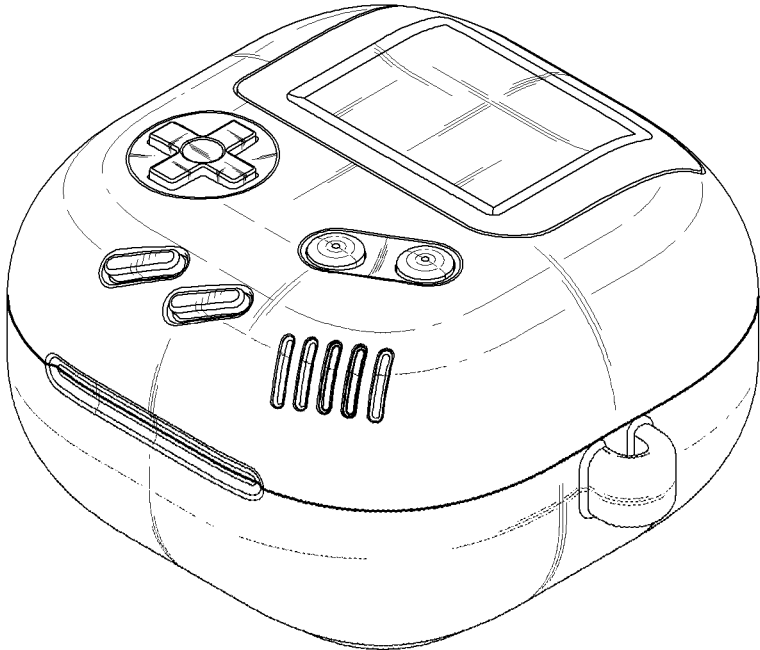


FIG. 9

