



US00D789217S

(12) **United States Design Patent**
Antons

(10) **Patent No.:** **US D789,217 S**
(45) **Date of Patent:** **** Jun. 13, 2017**

(54) **PRESCRIPTION CONTAINER TRAY**

3/132; A47G 23/0208; B01L 9/06; B01L 2300/0609; B01L 3/5453; B43K 23/001

See application file for complete search history.

(71) Applicant: **Peter Antons**, Bellingham, WA (US)

(56) **References Cited**

(72) Inventor: **Peter Antons**, Bellingham, WA (US)

U.S. PATENT DOCUMENTS

(**) Term: **15 Years**

D20,928 S *	7/1891	Kannel	D7/553.4
2,080,865 A *	5/1937	Lassiter	B60N 3/002
				108/25
D162,766 S *	4/1951	Wray	211/74
D201,695 S *	7/1965	Bieger	D7/546

(21) Appl. No.: **29/505,706**

(Continued)

(22) Filed: **Jan. 12, 2016**

(51) **LOC (10) Cl.** **09-03**

OTHER PUBLICATIONS

(52) **U.S. Cl.**

USPC **D9/737**; D9/755

Pill Bottle Storage Rack, available 2012, [online], [site visited Dec. 10, 2016]. Available from internet, <URL: <http://www.instructables.com/id/Pill-bottle-storage-rack/>>.*

(Continued)

(58) **Field of Classification Search**

USPC D9/756, 715-717, 737, 414-417, 421, D9/424, 425, 428-432, 524, 516, 721, D9/751; D7/354, 392.1, 394, 396.1, 538, D7/543-545, 550.1, 551, 554.3, 587, 566, D7/575, 584, 619, 629, 667, 318, 319, D7/619.1, 553.6-553.7, 554.2, 602; 229/400-406, 932, 906.1; D24/104, 105, D24/176-180, 227; D6/530, 63.5, 553, D6/557, 541, 775, 776, 119, 470, 508, D6/521.1, 545, 806, 217, 820; 220/608, 220/780-806, 475, 674, 675, 4.21-4.27, 220/555, 556, 810, 836, 837, 841, 366.1, 220/367, 574, 602-607, 835, 839, 220/656-659, 669-673, 912, 23.4; 249/119; D28/8.1; D3/302, 314; 219/725, 728, 735; 366/602; 433/49, 433/163, 91, 50, 77, 79, 166, 125; D8/71

CPC .. A61C 17/005; A61C 19/006; B65D 43/162; B65D 81/3453; B65D 1/00; B65D 1/36; B65D 81/3813; B65D 85/324; A21B

Primary Examiner — Cathron Brooks
Assistant Examiner — Teddy Falloway
(74) *Attorney, Agent, or Firm* — Gordon K. Anderson

(57) **CLAIM**

The ornamental design for a prescription container tray, as shown and described.

DESCRIPTION

FIG. 1 is an isometric view of a prescription container tray showing my new design, with broken lines not part of the design;
 FIG. 2 is a top view thereof, with broken lines not part of the design;
 FIG. 3 is a front view thereof;
 FIG. 4 is a bottom view thereof, with broken lines not part of the design;
 FIG. 5 is a rear view thereof, with broken lines not part of the design;
 FIG. 6 is a left end view thereof;
 FIG. 7 is a right end view thereof;

(Continued)

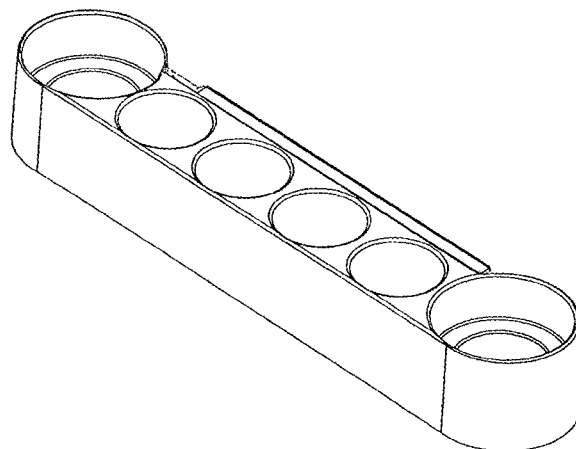


FIG. 8 is a cross sectional view thereof, taken on line 8-8 of FIG. 2, with broken lines not part of the design; FIG. 9 is a cross sectional view thereof, taken on line 9-9 of FIG. 2, with broken lines not part of the design; and, FIG. 10 is a cross sectional view thereof, taken on line 10-10 of FIG. 2.

1 Claim, 3 Drawing Sheets

(56)

References Cited

U.S. PATENT DOCUMENTS

3,540,856 A * 11/1970 Hoffa B01D 23/00
210/406
3,713,985 A * 1/1973 Astle B01L 3/5085
422/561
3,785,773 A * 1/1974 Rohrbaugh B01L 9/06
422/550
D240,578 S * 7/1976 Gottsegen D7/553.5
D249,706 S * 9/1978 Adamski D24/230
D255,775 S * 7/1980 Clemens D9/740
D256,425 S * 8/1980 Hayes 206/378
D279,384 S * 6/1985 Evenson D19/75
D283,164 S * 3/1986 Pandya D19/75
D354,678 S * 1/1995 Dalbo D9/740
D359,127 S * 6/1995 Biesecker D24/227
D368,277 S * 3/1996 Schuster D19/75
5,622,675 A * 4/1997 Glenday B01L 3/5085
422/552
D381,515 S * 7/1997 Haynes D24/224

D439,673 S * 3/2001 Brophy D24/226
D446,311 S * 8/2001 Wescott, III D24/230
D484,989 S * 1/2004 Gebrian D24/230
D589,704 S * 4/2009 Spivey D3/311
D596,758 S * 7/2009 Constable D24/230
D618,820 S * 6/2010 Wilson D24/227
D618,969 S * 7/2010 Di Bitonto D7/637
8,032,966 B1 * 10/2011 Keller B43K 23/001
15/104.92
D684,276 S * 6/2013 Hudson D24/226
D696,419 S * 12/2013 Fusellier D24/230
D699,085 S * 2/2014 Reid, Jr. D7/701
D723,712 S * 3/2015 Tajima D24/227
D738,039 S * 9/2015 Chen D27/183
D739,680 S * 9/2015 Smeja D24/230
D742,028 S * 10/2015 Hutchison D24/227
D744,159 S * 11/2015 Lukas D27/172
9,222,954 B2 * 12/2015 Lentz B01L 3/527
D749,428 S * 2/2016 Fath D9/737
D753,767 S * 4/2016 Blette D19/104
2008/0075634 A1 * 3/2008 Herchenbach B01L 9/06
422/400
2014/0216979 A1 * 8/2014 Veltrop B65D 25/04
206/561

OTHER PUBLICATIONS

Pill Bottle Rack, available Jun. 27, 2016, [online], [site visited Dec. 10, 2016]. Available from internet, <URL: <http://www.thingiverse.com/thing:1647779>>.*
Liquor Tasting Shot Glasses, available Sep. 6, 2013, [online], [site visited Dec. 10, 2016]. Available from internet, <URL: <http://www.thegreenhead.com/2009/01/liquor-tasting-shot-glasses.php>>.*

* cited by examiner

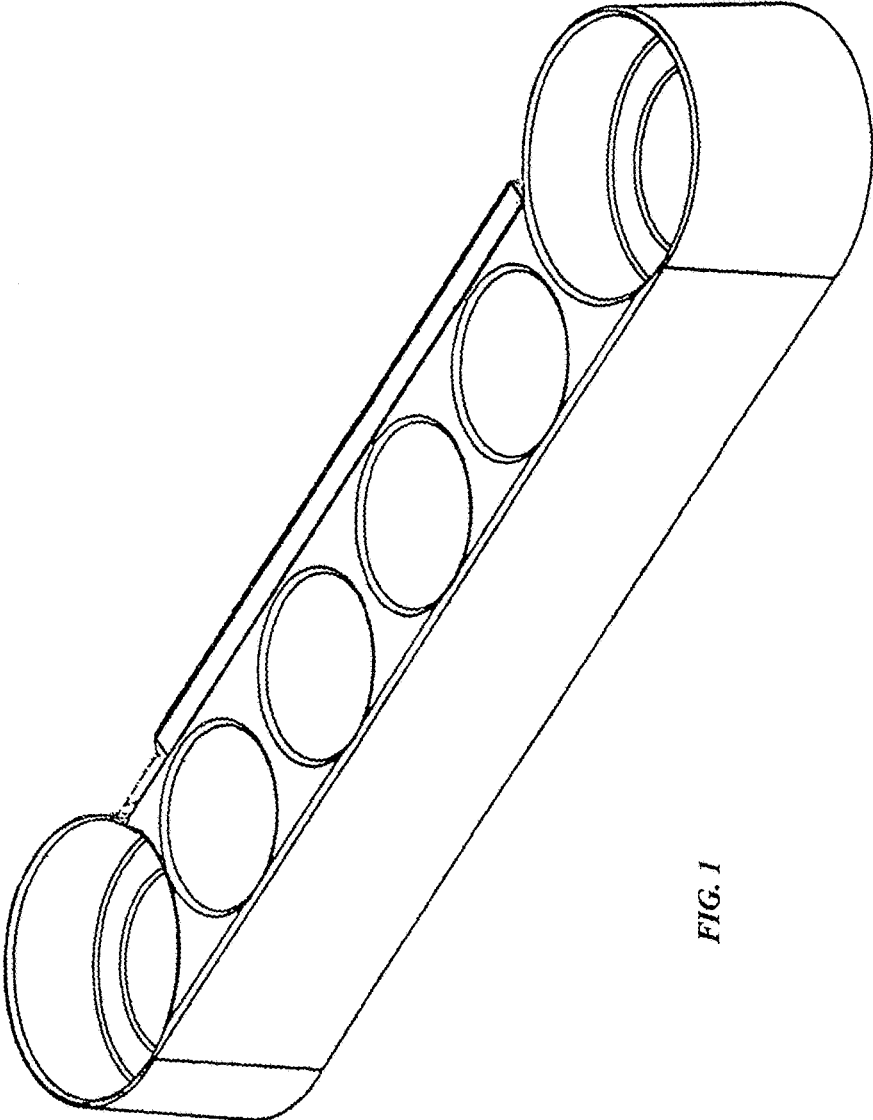


FIG. 1

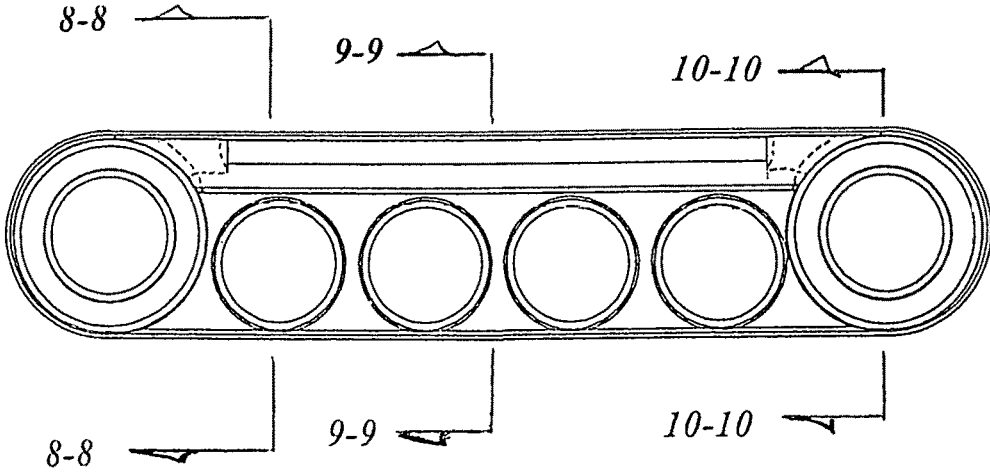


FIG. 2



FIG. 3

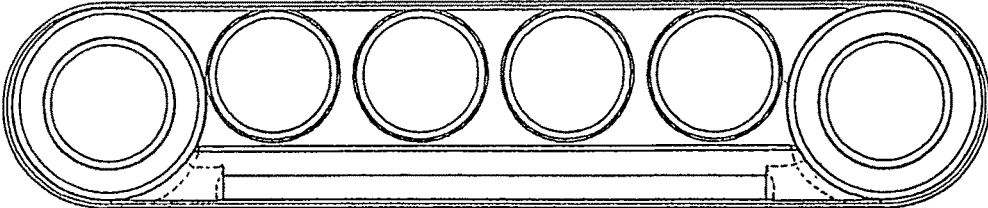


FIG. 4

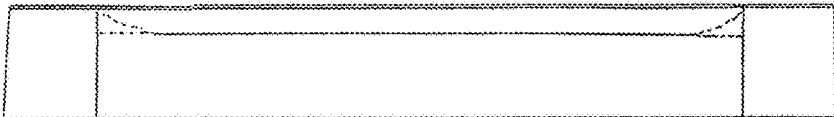


FIG. 5

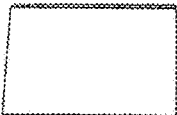


FIG. 6



FIG. 7

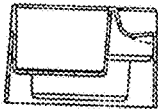


FIG. 8

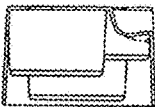


FIG. 9

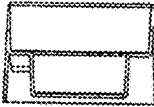


FIG. 10