



US00D577139S

(12) **United States Design Patent**
Brown et al.

(10) **Patent No.:** **US D577,139 S**

(45) **Date of Patent:** **** Sep. 16, 2008**

(54) **COMBINED FLASHLIGHT AND CHARGER**

(75) Inventors: **John R. Brown**, Mosman (AU);
Timothy Rugendyke, Woy Woy (AU);
Angelo Kotsis, Marrickville (AU);
Michael S. Squires, Ryde (AU); **Joseph P. Gardner**, North Ridgeville, OH (US)

(73) Assignee: **Eveready Battery Company, Inc.**, St. Louis, MO (US)

(**) Term: **14 Years**

(21) Appl. No.: **29/288,067**

(22) Filed: **May 29, 2007**

(51) **LOC (8) Cl.** **26-02**

(52) **U.S. Cl.** **D26/38; D26/49; D13/108**

(58) **Field of Classification Search** D26/24,
D26/27–28, 46, 49, 51; 362/157, 181, 183,
362/190–191, 194–196, 200–202, 204–206;
361/208; D13/107–8, 118–119, 184; 320/107–108,
320/114–115

See application file for complete search history.

(56) **References Cited**

U.S. PATENT DOCUMENTS

D353,216 S *	12/1994	Sharrah et al.	D26/49
D478,391 S *	8/2003	Saunders	D26/49
D557,840 S *	12/2007	Shiu	D26/37
D560,297 S *	1/2008	Brown et al.	D26/37
D564,445 S *	3/2008	Stratford	D13/108
D565,769 S *	4/2008	Shiu	D26/49

* cited by examiner

Primary Examiner—Ian Simmons

Assistant Examiner—Dana L Sipos

(74) *Attorney, Agent, or Firm*—Gregory J. Adams

(57) **CLAIM**

We claim the ornamental design for a combined flashlight and charger, as shown and described.

DESCRIPTION

FIG. 1 is a top, front, right side perspective view of the flashlight of FIG. 15 with the charger removed;

FIG. 2 is a right side elevation view thereof;

FIG. 3 is a left side elevation view thereof;

FIG. 4 is a top plan view thereof;

FIG. 5 is a bottom plan view thereof;

FIG. 6 is a front elevation view thereof;

FIG. 7 is a rear elevation view thereof;

FIG. 8 is a top, front, right side perspective view of the charger of FIG. 15 with the flashlight removed;

FIG. 9 is a top plan view thereof;

FIG. 10 is a bottom plan view thereof;

FIG. 11 is a left side elevation view thereof;

FIG. 12 is a right side elevation view thereof;

FIG. 13 is a front elevation view thereof;

FIG. 14 is a rear elevation view thereof;

FIG. 15 is a top, front, right side perspective view of a combined flashlight and charger showing our new design;

FIG. 16 is a top plan view thereof;

FIG. 17 is a bottom plan view thereof;

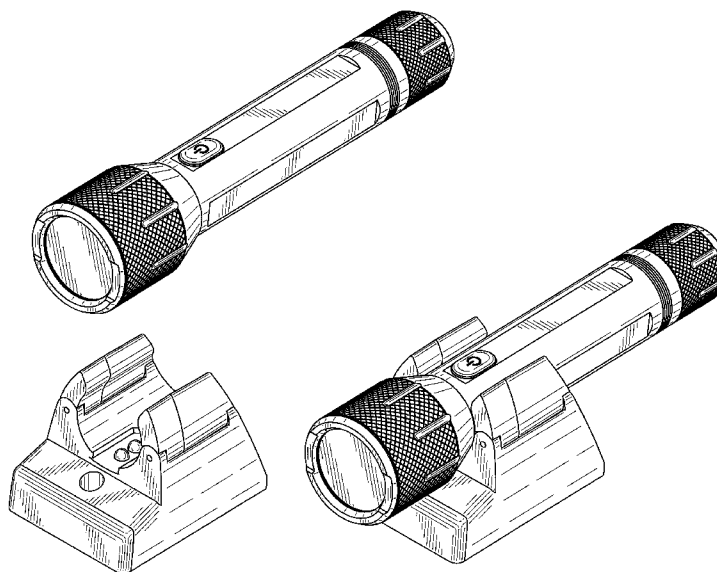
FIG. 18 is a right side elevation view thereof;

FIG. 19 is a left side elevation view thereof;

FIG. 20 is a front elevation view thereof; and,

FIG. 21 is a rear elevation view thereof.

1 Claim, 14 Drawing Sheets



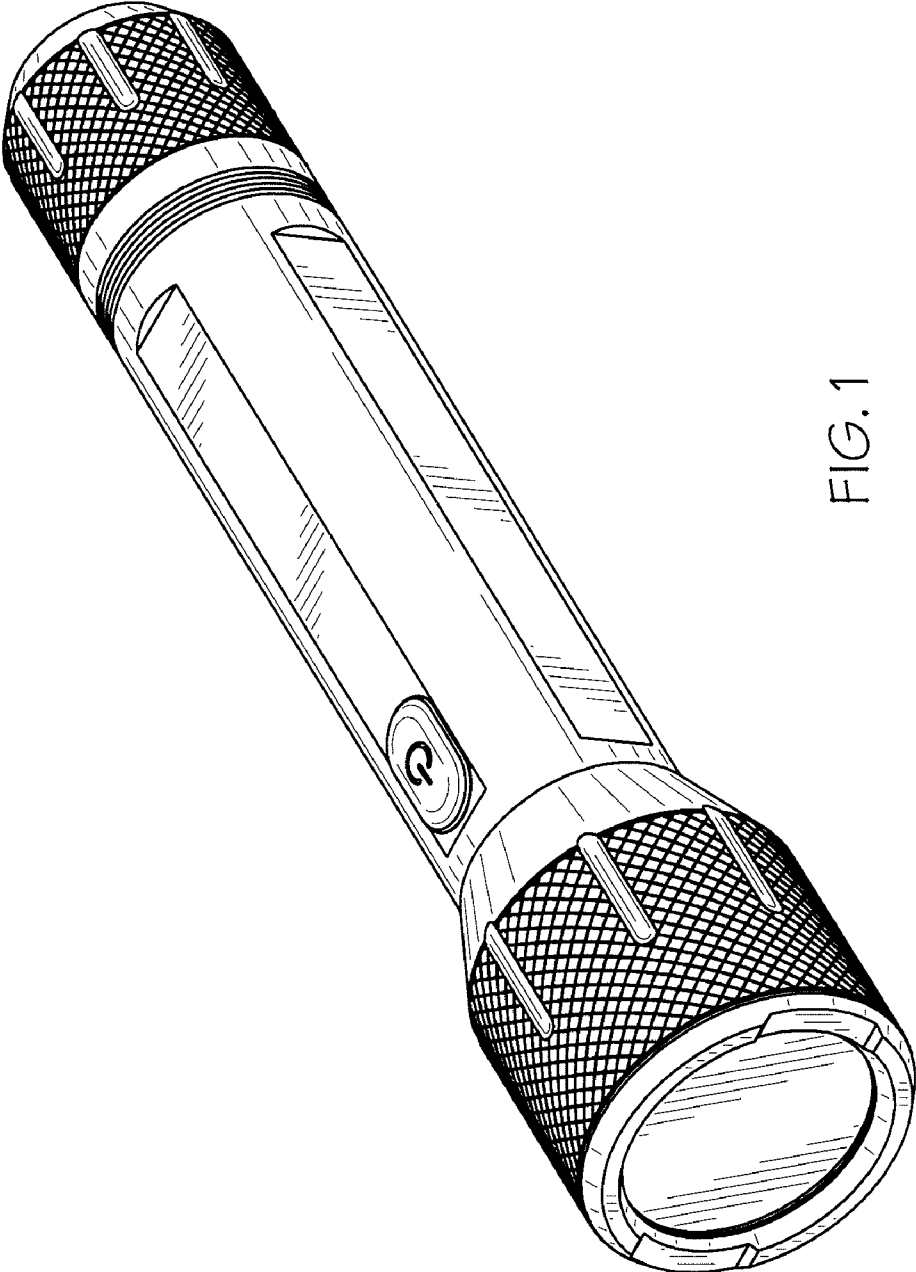


FIG. 1

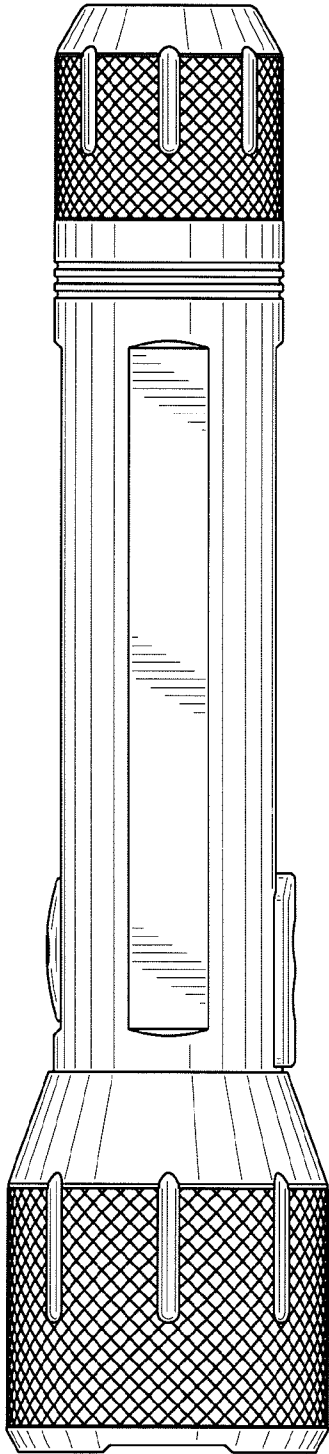


FIG. 2

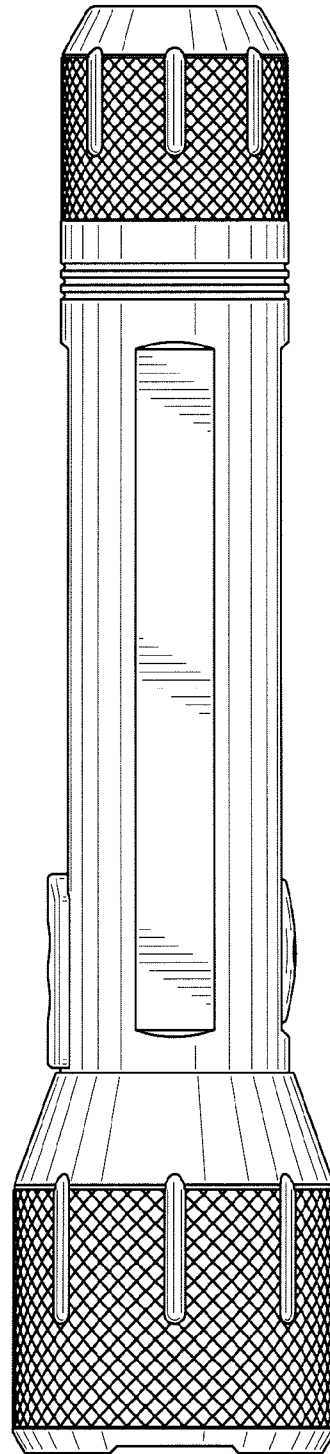


FIG. 3

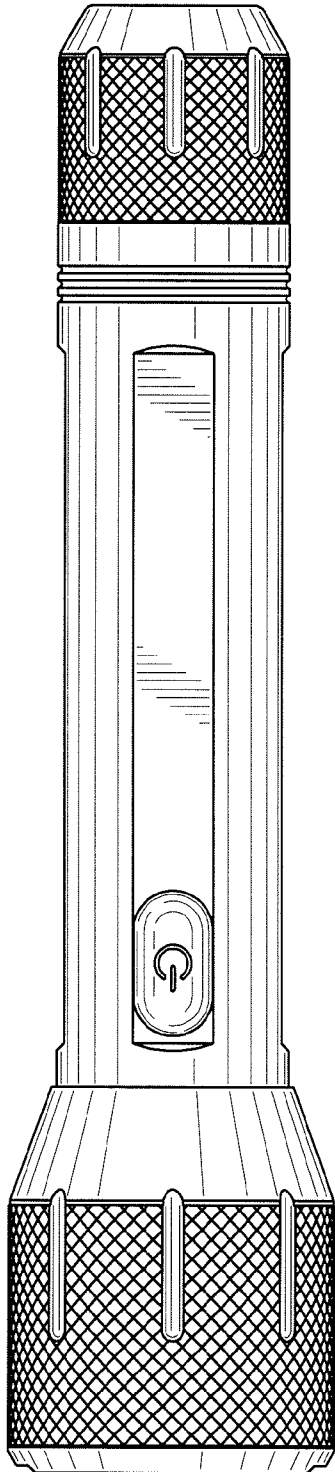


FIG. 4

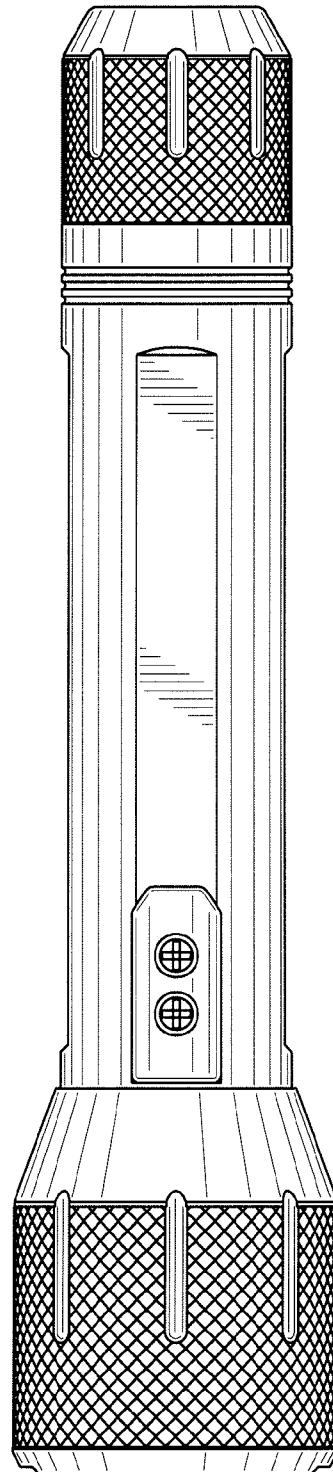


FIG. 5

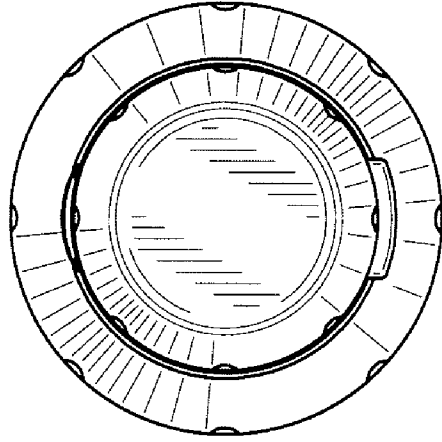


FIG. 7

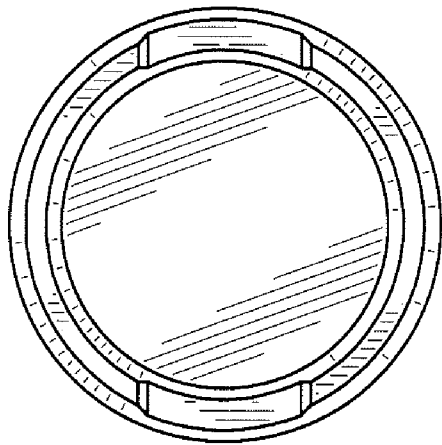


FIG. 6

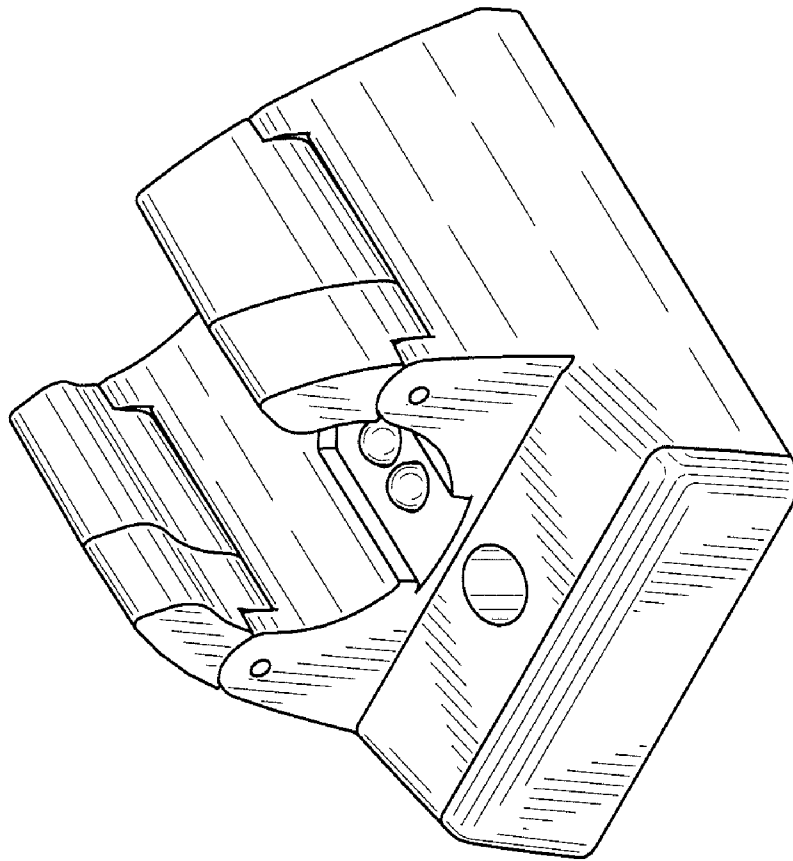


FIG. 8

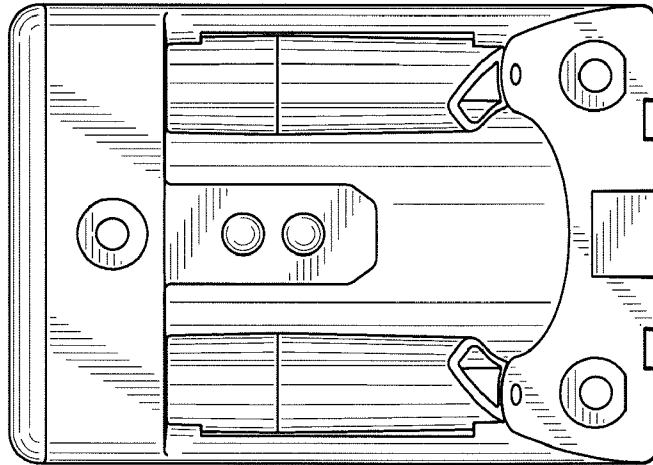


FIG. 9

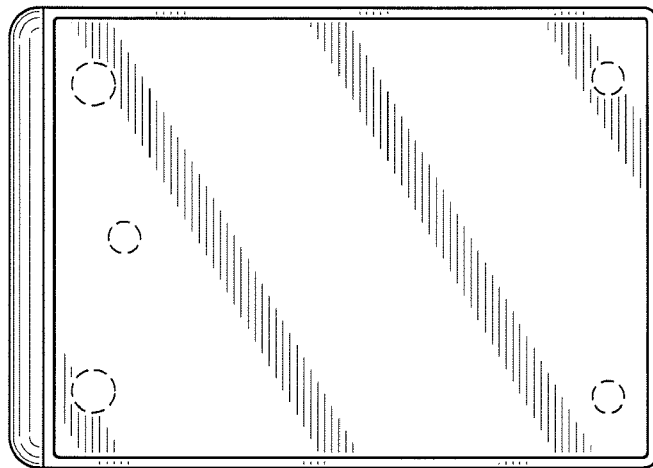


FIG. 10

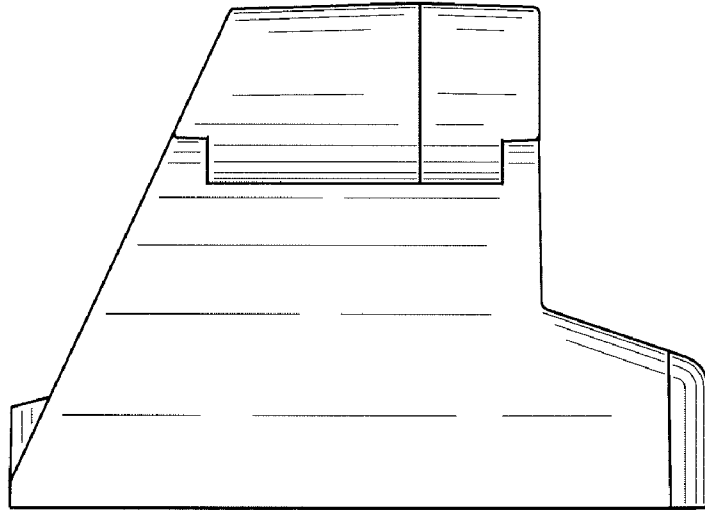


FIG. 11

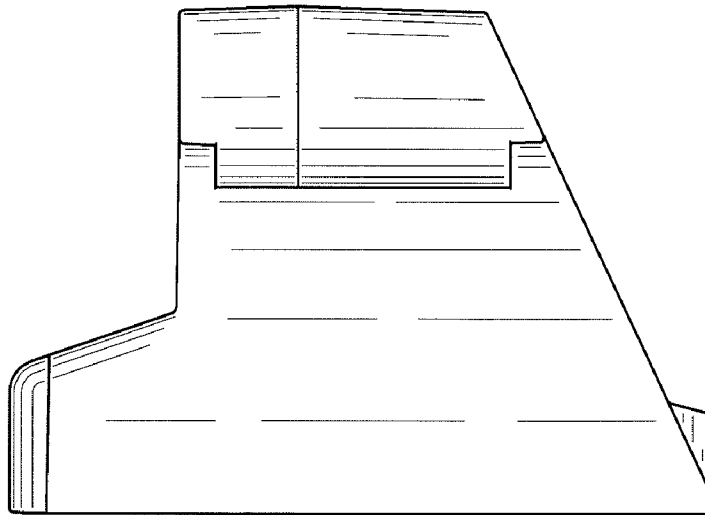


FIG. 12

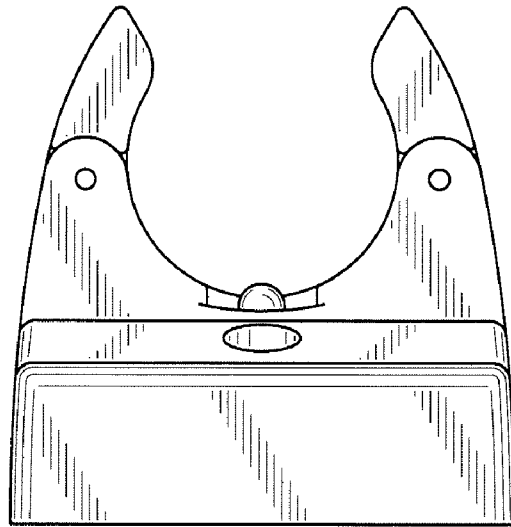


FIG. 13

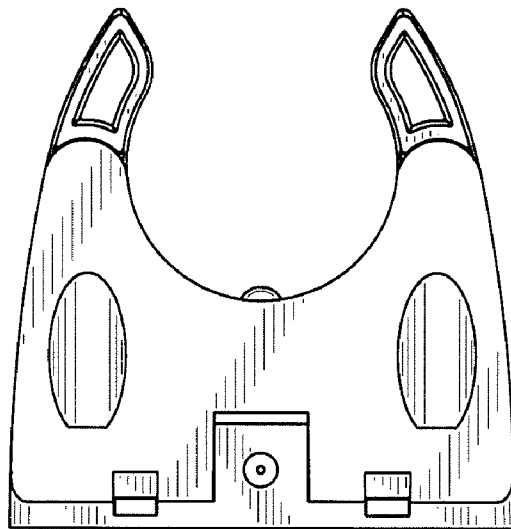


FIG. 14

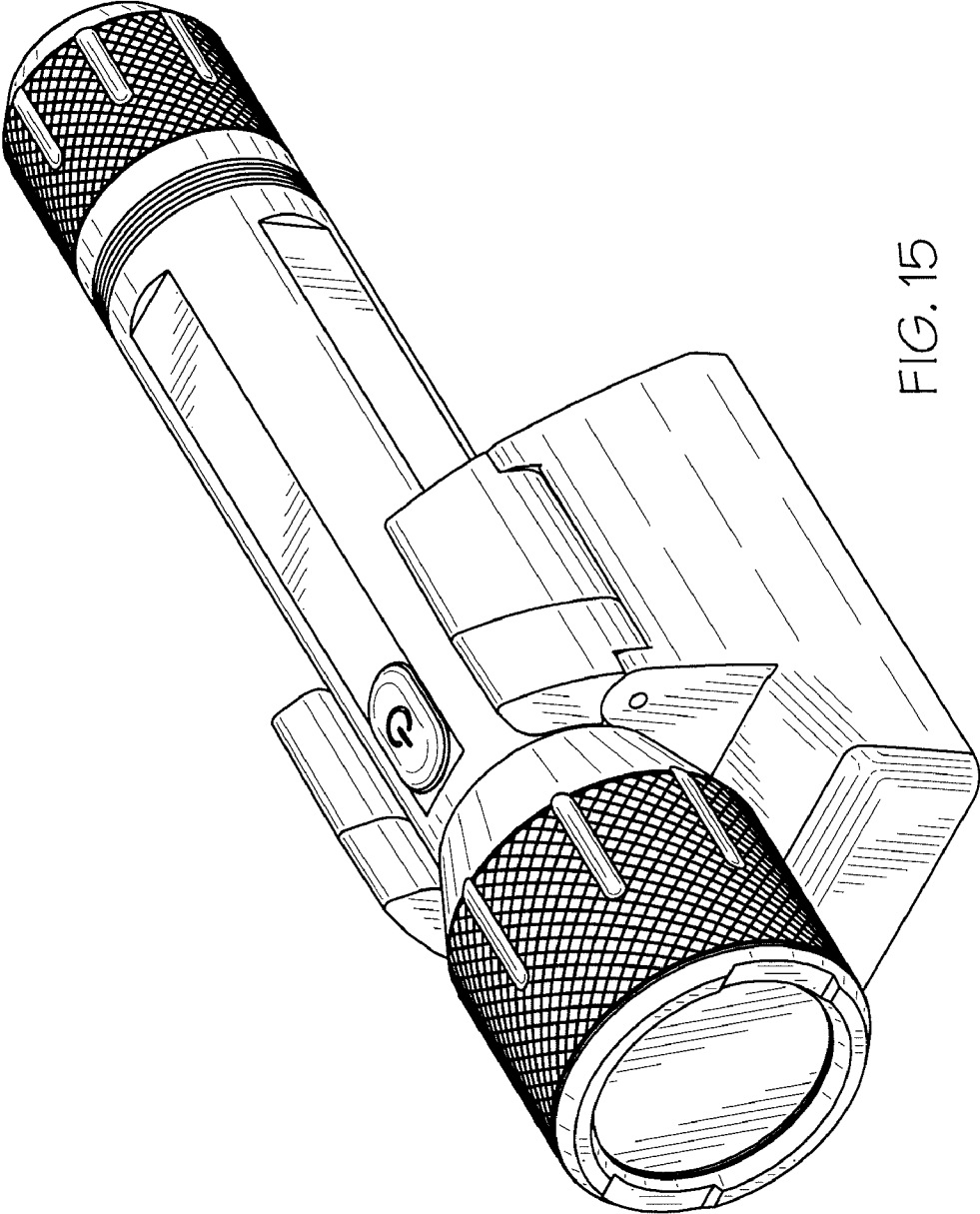


FIG. 15

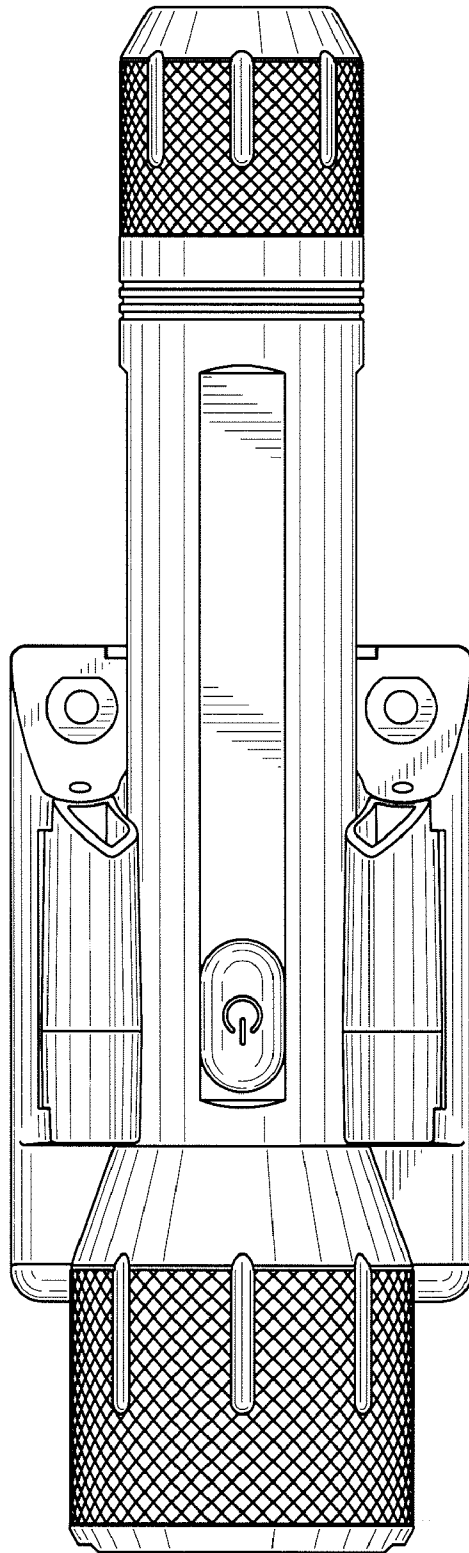


FIG. 16

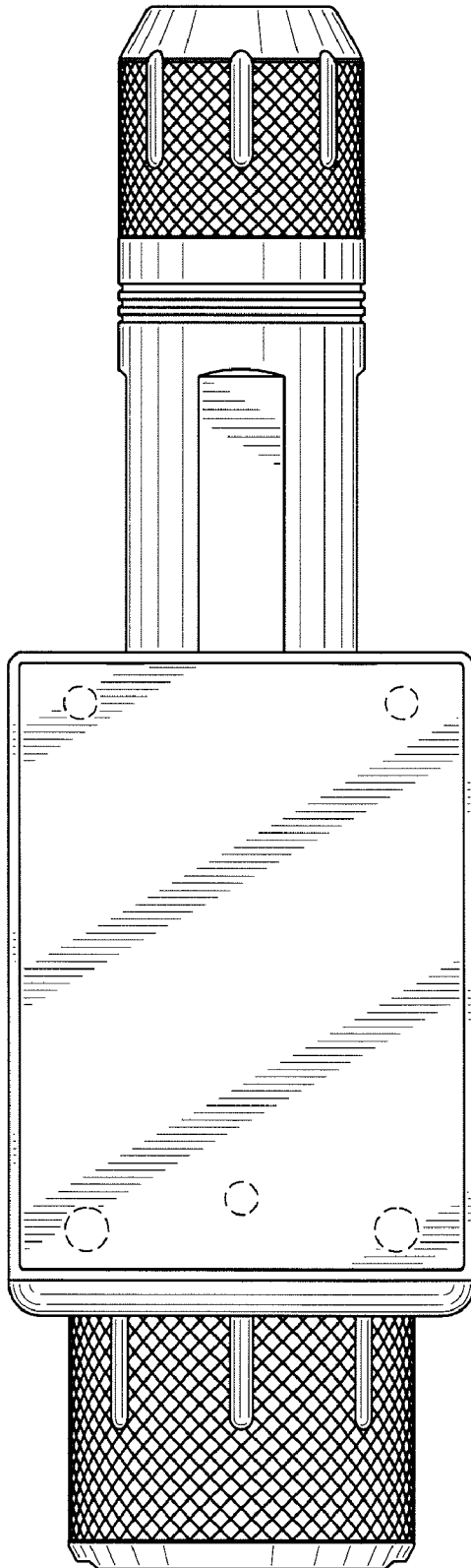


FIG. 17

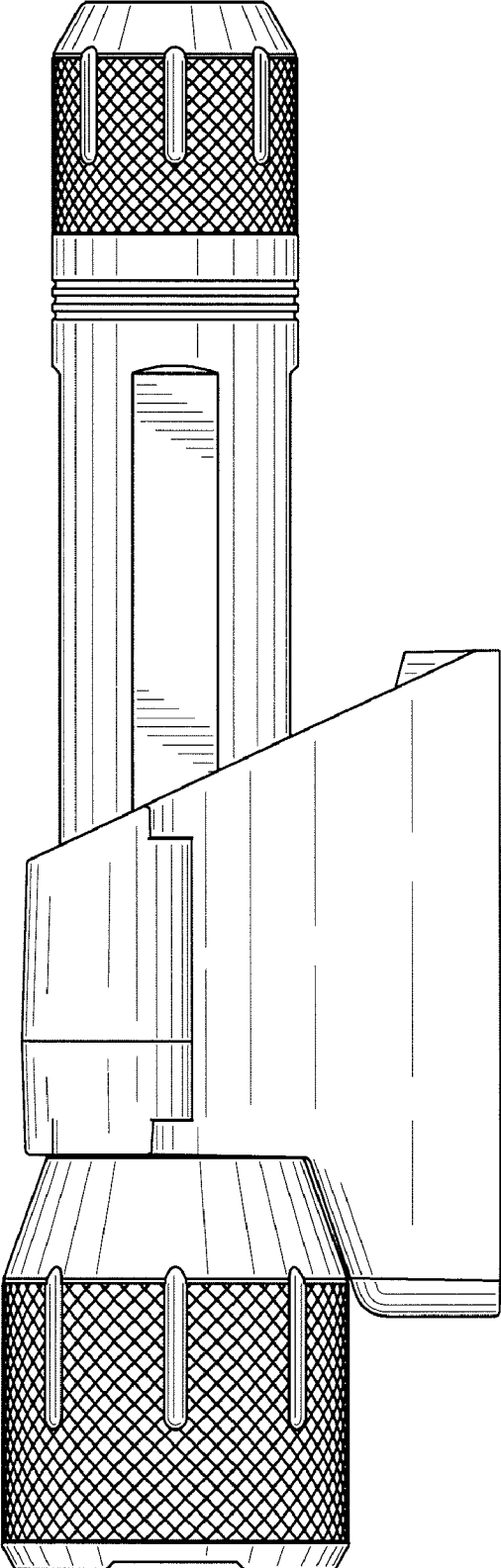


FIG. 18

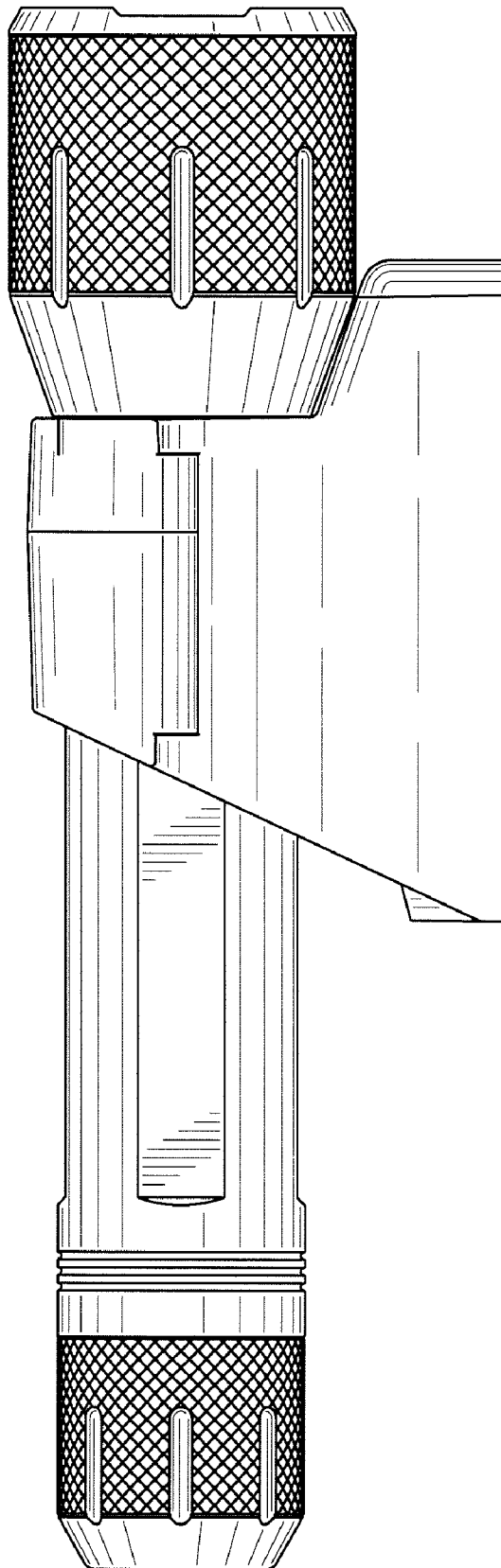


FIG. 19

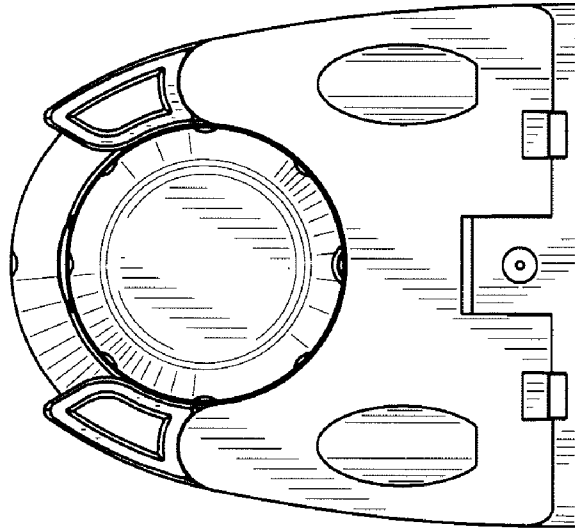


FIG. 21

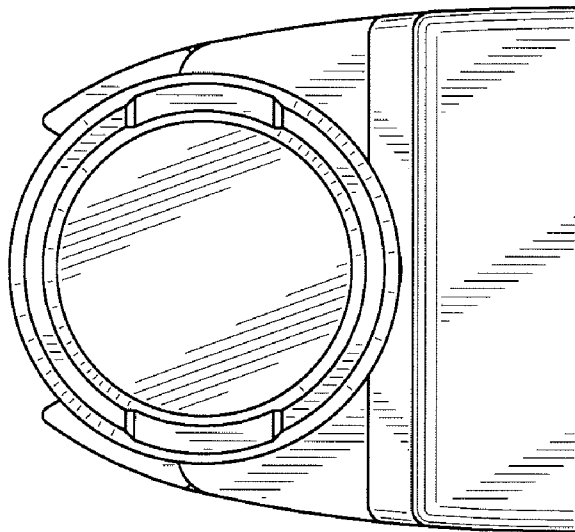


FIG. 20