



US00D972765S

(12) **United States Design Patent**  
**Wu**

(10) **Patent No.:** **US D972,765 S**

(45) **Date of Patent:** **\*\* Dec. 13, 2022**

(54) **LAMP**

(71) Applicant: **Hanxiang Wu**, Jiujiang (CN)

(72) Inventor: **Hanxiang Wu**, Jiujiang (CN)

(\*\*) Term: **15 Years**

(21) Appl. No.: **29/834,534**

(22) Filed: **Apr. 12, 2022**

(51) **LOC (13) CI.** ..... **26-05**

(52) **U.S. CI.**  
USPC ..... **D26/67**

(58) **Field of Classification Search**  
USPC ..... D26/67-70, 72, 85  
CPC ..... F21S 9/037; F21W 2111/02  
See application file for complete search history.

(56) **References Cited**

**U.S. PATENT DOCUMENTS**

D517,717 S *	3/2006	Sanoner .....	D26/68
7,041,899 B2 *	5/2006	Stekelenburg .....	H01R 25/00 174/53
D555,278 S *	11/2007	Sanoner .....	D26/68
D841,213 S	2/2019	Zhou	
D892,381 S *	8/2020	Lin .....	D26/67
D904,663 S *	12/2020	Wang .....	D26/68
D911,574 S *	2/2021	Hui .....	D26/68
D923,847 S	6/2021	Ye	
D953,595 S *	5/2022	Chen .....	D26/67
D960,421 S *	8/2022	Xia .....	D26/67
D961,141 S *	8/2022	Liao .....	D26/67
2006/0044785 A1 *	3/2006	Lee .....	F21S 8/00 362/276

**OTHER PUBLICATIONS**

Amazon, Nenkidi Store, Bright Solar Powered Pathway Lights, <https://a.co/d/3WMNWJp>, May 11, 2022 (Year: 2022).\*

\* cited by examiner

*Primary Examiner* — Keli L Hill

*Assistant Examiner* — Harold E Blackwell, II

(74) *Attorney, Agent, or Firm* — Che-Yang Chen; Law Office of Michael Chen

(57) **CLAIM**

The ornamental design for a lamp, as shown and described.

**DESCRIPTION**

FIG. 1 is a perspective view of the lamp showing my new design;

FIG. 2 is a perspective view thereof from another angle;

FIG. 3 is a front elevational view thereof;

FIG. 4 is a rear elevational view thereof;

FIG. 5 is a left side elevational view thereof;

FIG. 6 is a right side elevational view thereof;

FIG. 7 is a top plan view thereof;

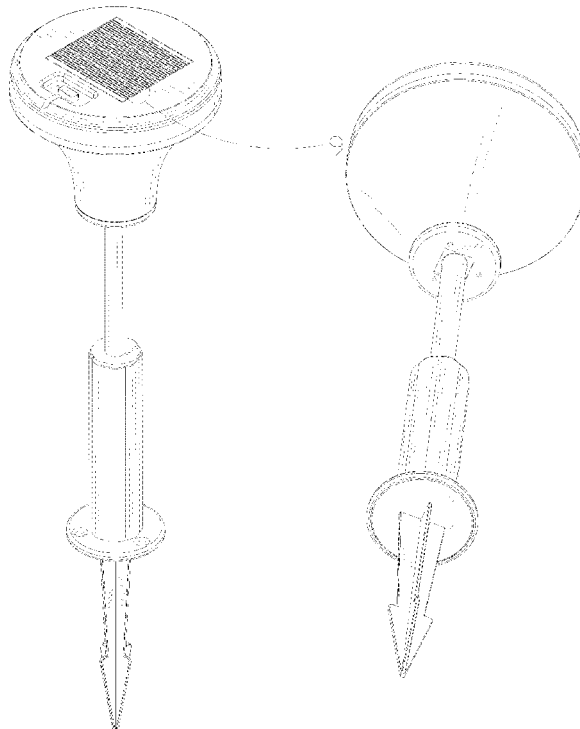
FIG. 8 is a bottom plan view thereof; and,

FIG. 9 is a partial enlarged view of portion 9 in FIG. 1.

The broken lines shown in the drawings are included for the purpose of illustrating portions of the lamp that form no part of the claimed design.

The dot-dash broken lines in FIGS. 1 and 9 depict the boundaries of the enlargements that form no part of the claimed design.

**1 Claim, 9 Drawing Sheets**



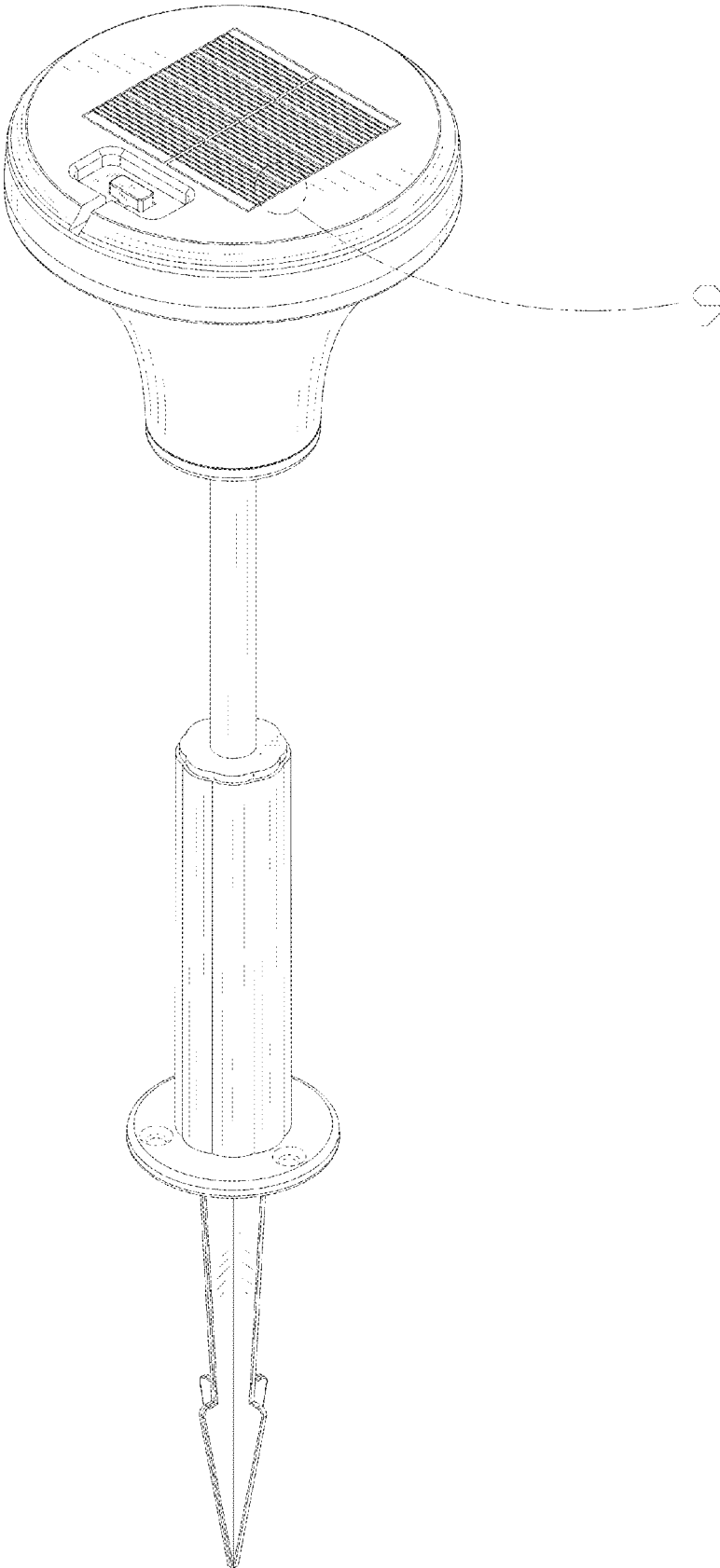


FIG 1

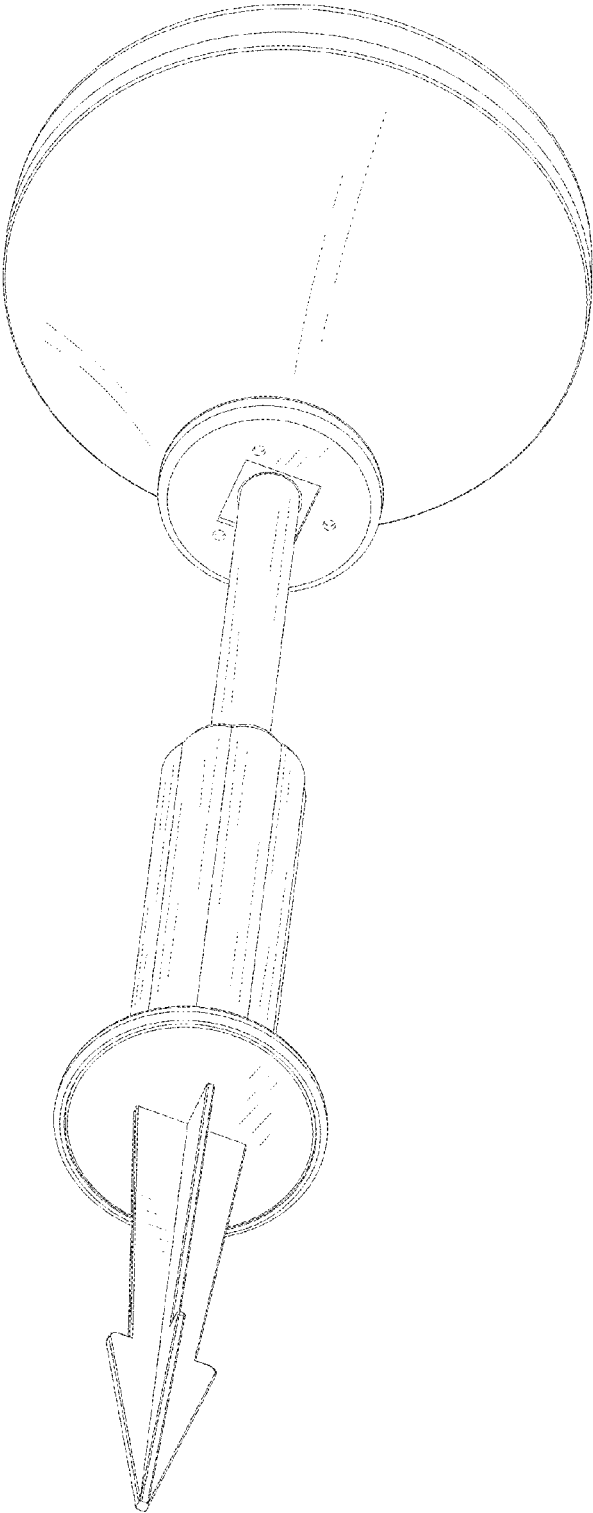


FIG.2

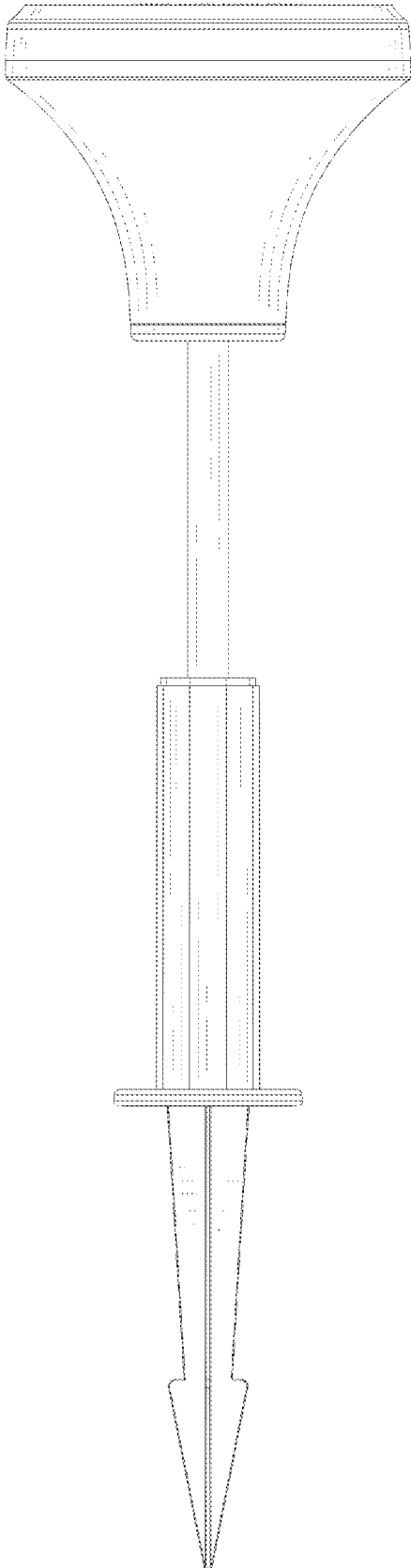


FIG. 3

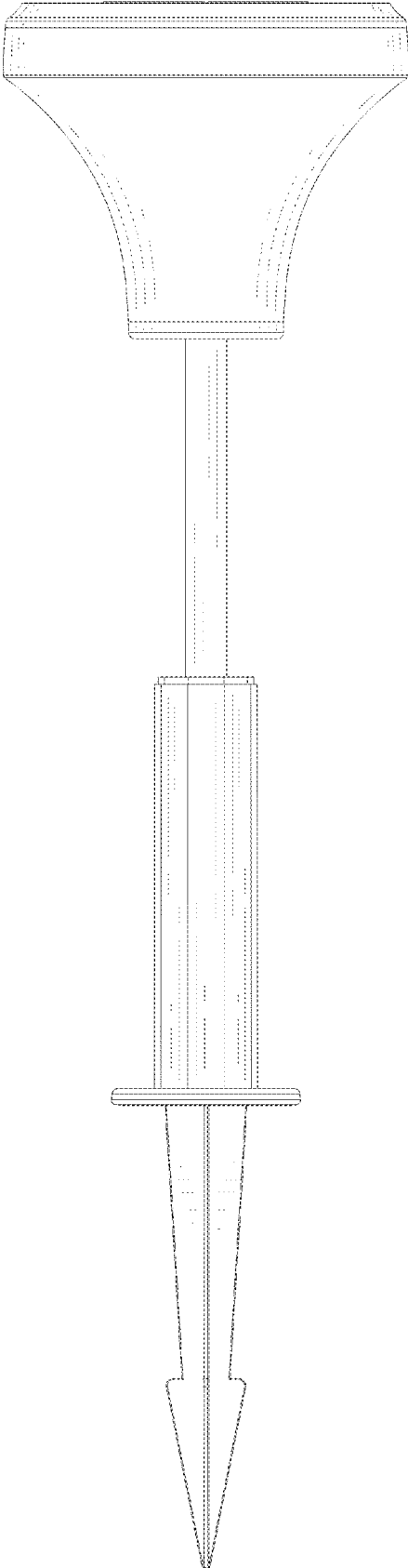


FIG. 4

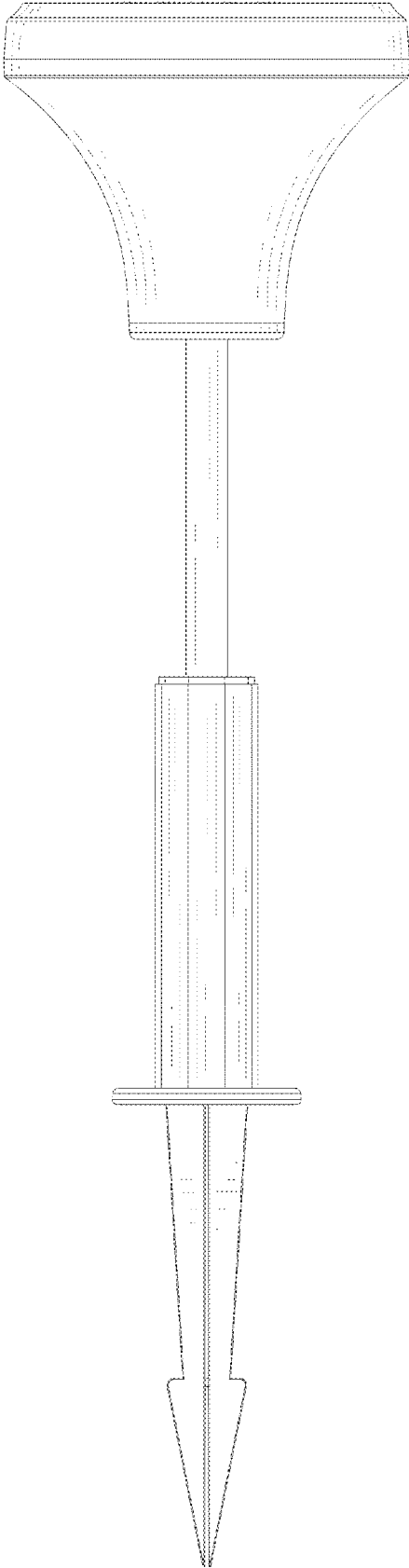


FIG. 5

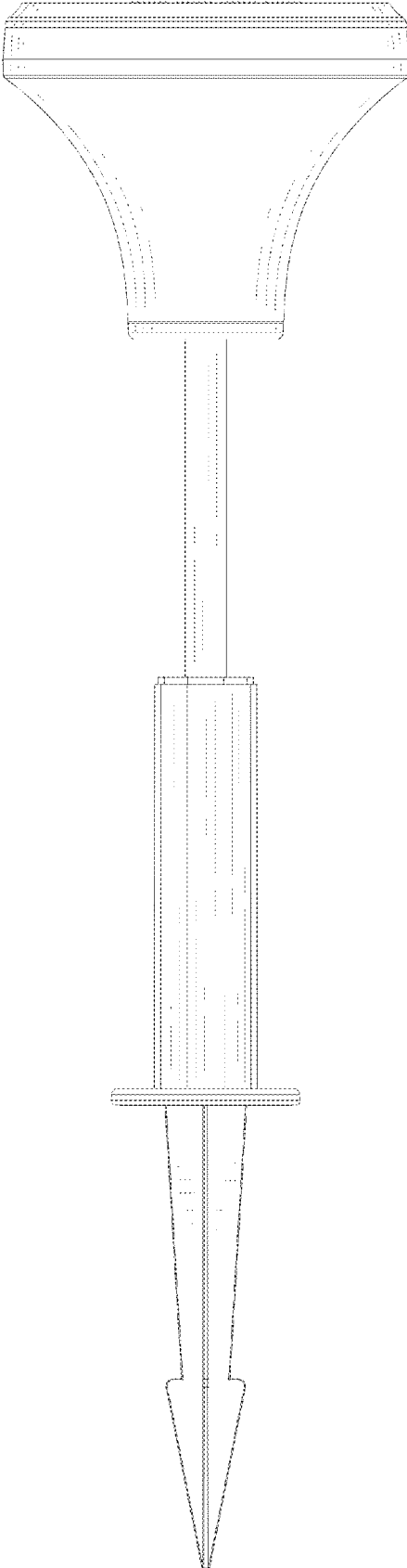


FIG.6

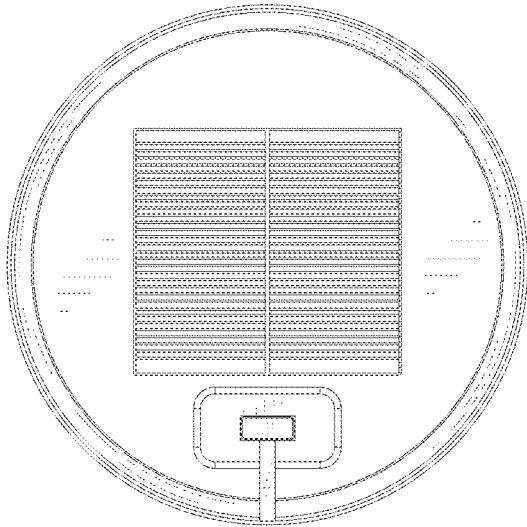


FIG. 7

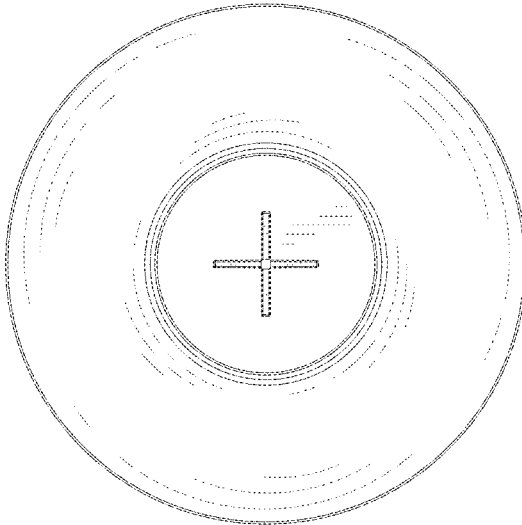


FIG.8

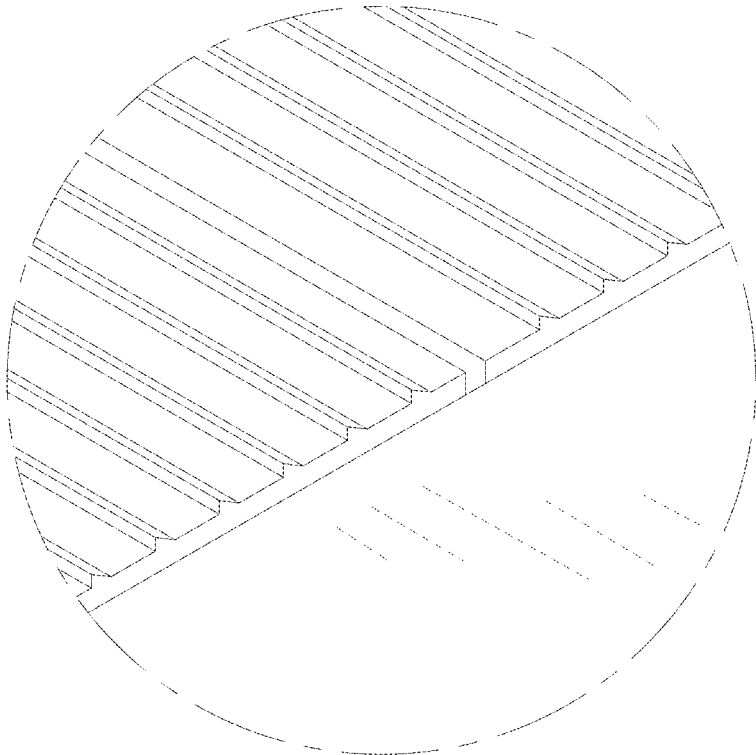


FIG.9