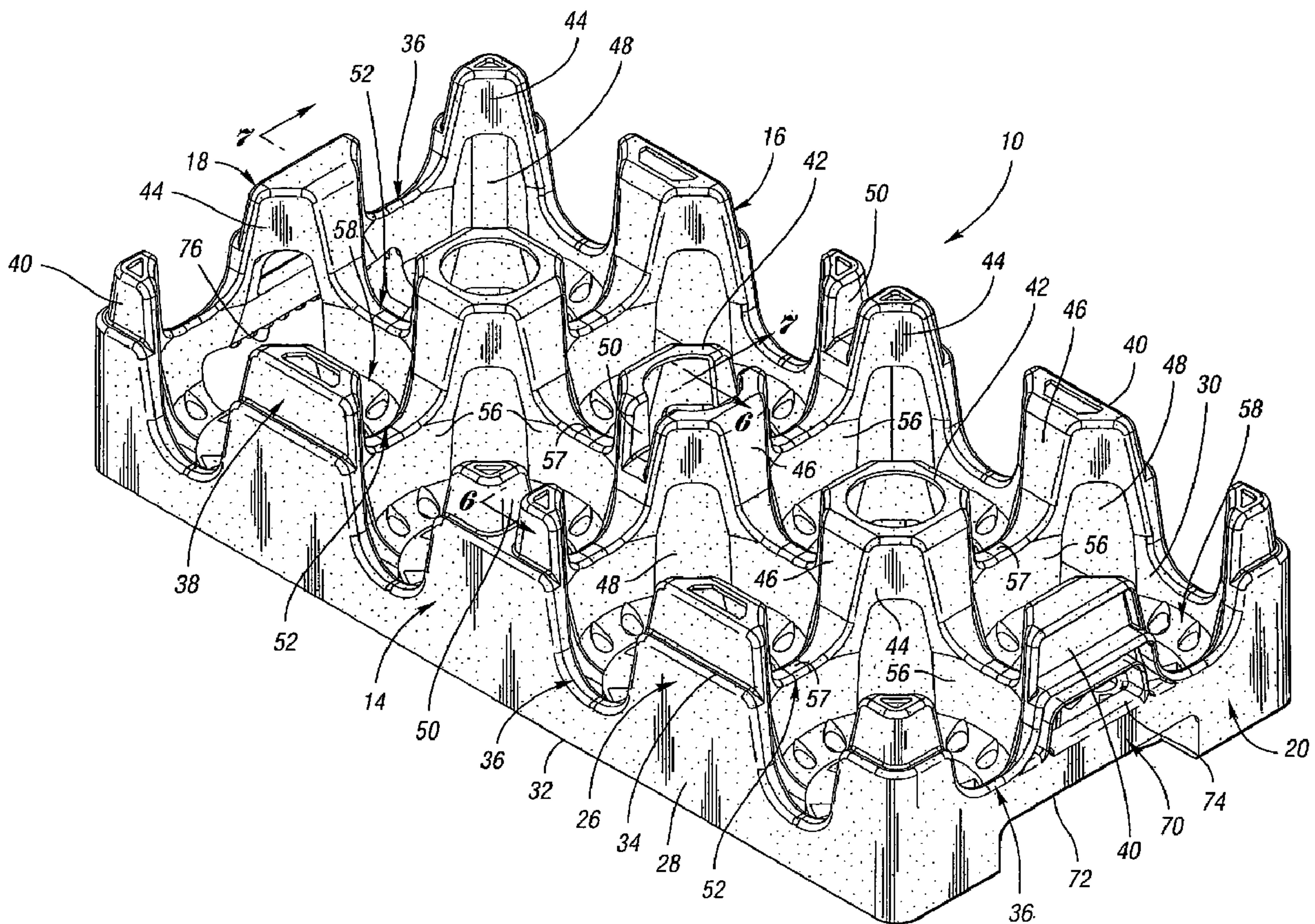




(86) Date de dépôt PCT/PCT Filing Date: 2002/04/05
 (87) Date publication PCT/PCT Publication Date: 2002/10/24
 (45) Date de délivrance/Issue Date: 2009/06/30
 (85) Entrée phase nationale/National Entry: 2003/10/02
 (86) N° demande PCT/PCT Application No.: US 2002/010707
 (87) N° publication PCT/PCT Publication No.: 2002/083512
 (30) Priorité/Priority: 2001/04/16 (US09/836,045)

(51) Cl.Int./Int.Cl. *B65D 1/36* (2006.01),
B65D 21/02 (2006.01), *B65D 21/032* (2006.01),
B65D 25/04 (2006.01)
 (72) Inventeur/Inventor:
 APPS, WILLIAM P., US
 (73) Propriétaire/Owner:
 REHRIG PACIFIC COMPANY, US
 (74) Agent: MACRAE & CO.

(54) Titre : PLATEAU EMPILABLE DE FAIBLE PROFONDEUR
 (54) Title: STACKABLE LOW DEPTH TRAY



(57) Abrégé/Abstract:

A low depth tray (10) for bottles is provided which includes a first pair of opposed walls (14,16), a second pair of opposed walls(18,20) attached to the first pair of opposed walls (14,16) to form a wall structure, and a base (12) attached to the wall

(57) **Abrégé(suite)/Abstract(continued):**

structure. At least one interior column (42) projects upwardly within the wall structure, where the interior column (42) has a height less than the height of bottles loaded in the tray (10). A plurality of interior divider walls (52) of double-walled construction project upwardly from the base (12) and extend between the one or more interior columns (42) and the wall structure. Together, the divider walls (52), interior columns (42), base (12), and outer wall structure define a plurality of bottle retaining pockets (58), where each pocket (58) includes at least one divider wall (52) and is sized to receive a single bottle therein.

(12) INTERNATIONAL APPLICATION PUBLISHED UNDER THE PATENT COOPERATION TREATY (PCT)

(19) World Intellectual Property Organization
International Bureau



(43) International Publication Date
24 October 2002 (24.10.2002)

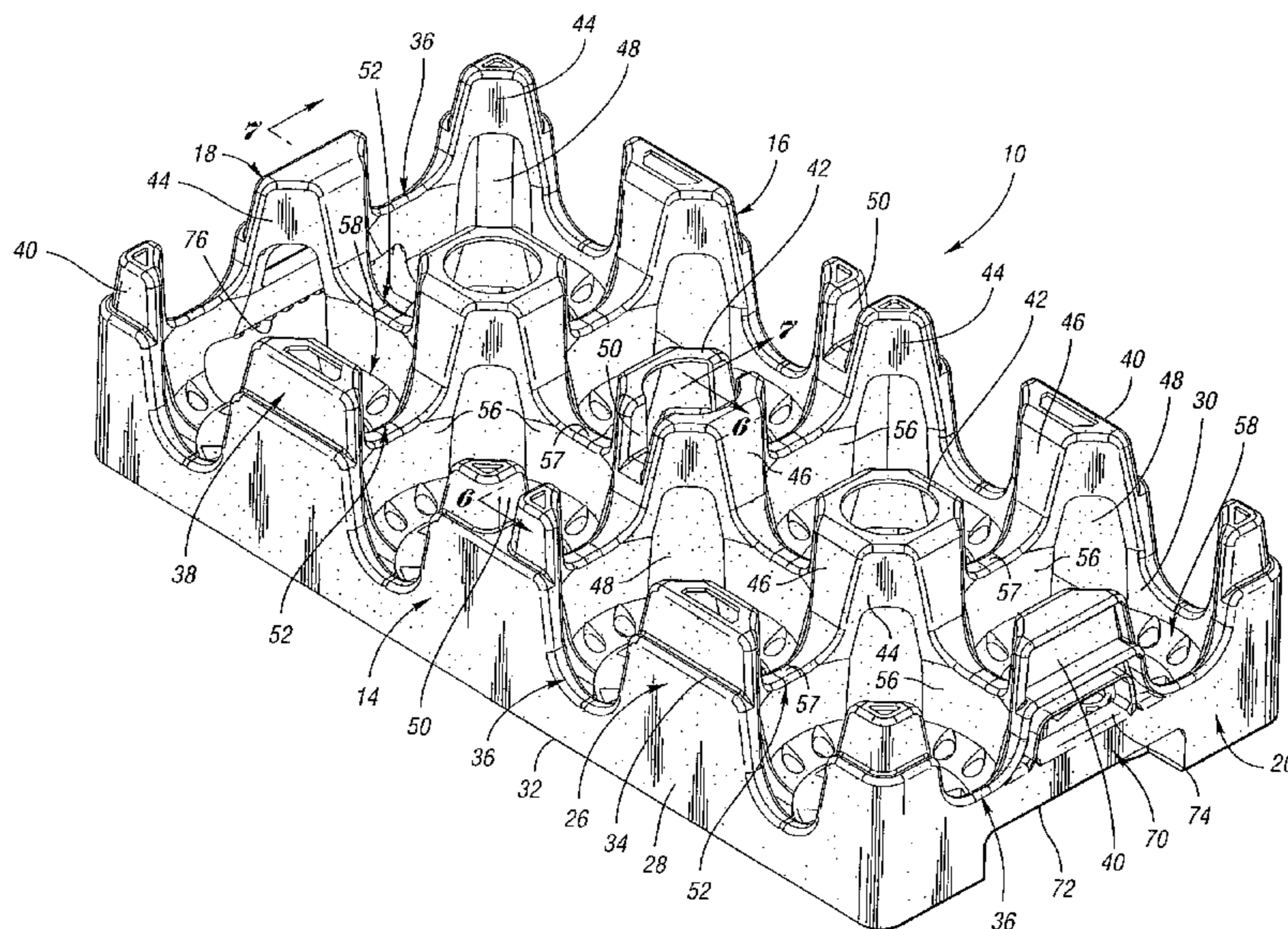
PCT

(10) International Publication Number
WO 02/083512 A1

- (51) International Patent Classification⁷: **B65D 25/04**
- (21) International Application Number: PCT/US02/10707
- (22) International Filing Date: 5 April 2002 (05.04.2002)
- (25) Filing Language: English
- (26) Publication Language: English
- (30) Priority Data:
09/836,045 16 April 2001 (16.04.2001) US
- (71) Applicant (for all designated States except US): **REHRIG PACIFIC COMPANY** [US/US]; 4010 East 26th Street, Los Angeles, CA 90023 (US).
- (72) Inventor; and
- (75) Inventor/Applicant (for US only): **APPS, William, P.** [US/US]; 225 Lake Heights Drive, Alpharetta, GA 30022 (US).
- (74) Agents: **MANSFIELD, Stephanie, M.**; Brooks & Kushman, 1000 Town Center, Twenty-Second Floor, Southfield, MI 48075 et al. (US).
- (81) Designated States (*national*): AE, AG, AL, AM, AT, AU, AZ, BA, BB, BG, BR, BY, BZ, CA, CH, CN, CO, CR, CU, CZ, DE, DK, DM, DZ, EC, EE, ES, FI, GB, GD, GE, GH, GM, HR, HU, ID, IL, IN, IS, JP, KE, KG, KP, KR, KZ, LC, LK, LR, LS, LT, LU, LV, MA, MD, MG, MK, MN, MW, MX, MZ, NO, NZ, OM, PH, PL, PT, RO, RU, SD, SE, SG, SI, SK, SL, TJ, TM, TN, TR, TT, TZ, UA, UG, US, UZ, VN, YU, ZA, ZM, ZW.
- (84) Designated States (*regional*): ARIPO patent (GH, GM, KE, LS, MW, MZ, SD, SL, SZ, TZ, UG, ZM, ZW), Eurasian patent (AM, AZ, BY, KG, KZ, MD, RU, TJ, TM), European patent (AT, BE, CH, CY, DE, DK, ES, FI, FR, GB, GR, IE, IT, LU, MC, NL, PT, SE, TR), OAPI patent (BF, BJ, CF, CG, CI, CM, GA, GN, GQ, GW, ML, MR, NE, SN, TD, TG).
- Published:**
— with international search report

[Continued on next page]

(54) Title: STACKABLE LOW DEPTH TRAY



(57) Abstract: A low depth tray (10) for bottles is provided which includes a first pair of opposed walls (14,16), a second pair of opposed walls (18,20) attached to the first pair of opposed walls (14,16) to form a wall structure, and a base (12) attached to the wall structure. At least one interior column (42) projects upwardly within the wall structure, where the interior column (42) has a height less than the height of bottles loaded in the tray (10). A plurality of interior divider walls (52) of double-walled construction project upwardly from the base (12) and extend between the one or more interior columns (42) and the wall structure. Together, the divider walls (52), interior columns (42), base (12), and outer wall structure define a plurality of bottle retaining pockets (58), where each pocket (58) includes at least one divider wall (52) and is sized to receive a single bottle therein.



WO 02/083512 A1

WO 02/083512 A1



For two-letter codes and other abbreviations, refer to the "Guidance Notes on Codes and Abbreviations" appearing at the beginning of each regular issue of the PCT Gazette.

STACKABLE LOW DEPTH TRAY

BACKGROUND OF THE INVENTION

1. Field of the Invention

This invention relates to a stackable low depth tray for storing and
5 transporting beverage containers, such as bottles.

2. Background Art

Bottles, particularly for soft drinks and other beverages, are often
stored and transported in trays. The term "tray" as used herein includes trays,
crates, cases, and similar containers having a floor and a peripheral side wall
10 structure. As compared with other materials, plastic trays provide advantages such
as strength, durability, and reusability. In order to minimize the storage space of
trays, reduce their cost and weight, and promote display of the bottles contained
therein, many trays are constructed to have shallow side and end walls. Such trays
are generally referred to as "low depth" trays in which the side and end walls are
15 lower than the height of the stored bottles, and in which the bottles support the
weight of additional trays stacked on top.

In general, bottles go through a bottling facility and to the bottler's
warehouse in the following order: the bottles are filled, sealed, loaded into trays,
and then layers of trays are placed on pallets. Trays in successive layers are stacked
20 or cross-stacked on top of each other, with the bottles bearing most of the load of
above-stacked trays. The stacks of trays must be particularly stable in order to
remain standing during the jostling inherent when the pallets are moved into and out
of the warehouse.

Plastic bottles are widely used as containers for retailing soft drinks
25 and other beverages. One type of plastic, polyethylene terephthalate (PET), has

become particularly popular because of its transparency, light weight, and low cost. In addition to being flexible, the walls of PET bottles are strong in tension and thus can safely contain the pressure of a carbonated beverage. Moreover, conventional PET bottles can bear relatively high compressive loads, provided that the load is directed substantially along an axially symmetric axis of the bottle. A single PET bottle can support the weight of many bottles of the same size filled with beverage if the bottle is standing upright on a flat, horizontal surface and the weight of the other bottles is applied to the closure of the single bottle and is directed substantially vertically along its symmetric axis. However, if a compressive load is applied to a conventional PET beverage bottle along a direction other than the symmetry axis of the bottle, the bottle may buckle, particularly for large capacity bottles such as the two-liter bottle widely used for marketing soft drinks.

Bottles can also tilt away from vertical alignment upon stacking if conventional partitioned trays having low side walls are used to contain the bottles. Tilted bottles in the lower trays of a stack can buckle, causing the stack to fall. Even absent buckling, the tendency of bottles to tilt in conventional low-sided trays causes instability and places an undesirably low limit on the number of tiers that can be included in a stack.

With the aforementioned issues regarding bottle stability and storage and handling processes in mind, there are several features which are desirable for the design of low depth bottle trays. Generally, low depth trays should have a wall structure that provides sufficient support for the bottles stored therein while also allowing the bottles to be visible for merchandising purposes. In addition, trays should be designed with structural features which enhance their stability when stacked and cross-stacked. Still further, the wall structure should have sufficient strength and rigidity to withstand handling. Lastly, the trays should be lightweight and be easy to manipulate and carry.

While some trays may partially fulfill these objectives, two important problems are encountered with current low depth trays. First, low depth trays are typically designed with a trade off between side wall strength, weight, and the

degree of visibility available for the bottles stored within the tray. Second, the wall structure of current trays often requires a snug fit between the bottle pocket and the bottle to ensure stability, which limits the range of bottle diameters which can be retained in a stable stack.

5

SUMMARY OF THE INVENTION

Therefore, it is an object according to the present invention to provide an improved low depth tray for storing, transporting, and displaying beverage containers, such as bottles.

10 It is another object according to the present invention to provide a low depth tray for bottles that is structured for high strength as well as high visibility of the bottles contained therein.

It is yet another object according to the present invention to provide a low depth tray for bottles that provides greater support and stability of the bottles loaded in the tray.

15 It is another object according to the present invention to provide a low depth tray for bottles which is lightweight and easy to handle.

It is another object according to the present invention to provide a low depth tray for bottles that is easier and less expensive to manufacture.

20 Accordingly, a low depth tray for bottles is provided which includes a first pair of opposed walls, a second pair of opposed walls attached to the first pair of opposed walls to form a wall structure, and a base attached to the wall structure. At least one interior column projects upwardly within the wall structure, where the interior column has a height less than the height of bottles loaded in the tray. A plurality of interior divider walls of double-walled construction project upwardly
25 from the base and extend between the one or more columns and the wall structure to form an interior grid structure. Together, the divider walls, columns, base, and

wall structure define a plurality of bottle retaining pockets, where each pocket includes at least one divider wall and is sized to receive a single bottle therein.

According to a preferred embodiment of the present invention, the tray is integrally molded of a plastic material. The wall structure has a double-walled construction and includes a lower wall portion having a substantially flat outer wall and a generally curved inner wall. The lower wall portion also includes a plurality of windows formed therein. In addition, the wall structure includes an upper wall portion having a plurality of upwardly projecting wall columns disposed between the windows. The wall columns and the one or more interior columns are substantially equal in height, and preferably extend a distance above the base of approximately one third of the height of bottles loaded in the tray. The wall columns and interior columns are substantially hollow, and include at least one curved surface contoured to the shape of bottles loaded in the tray. Likewise, the divider walls each include at least one curved surface contoured to the bottle shape. Furthermore, each column preferably includes an opening on the curved surface adjacent the base.

The interior columns are preferably substantially octagonal in shape, having four alternate sides with curved surfaces contoured to the shape of bottles loaded in the tray. Furthermore, the columns disposed along a transverse axis of the tray each include a transversely extending recess formed therein, preferably extending downwardly to the height of the outer wall structure.

Each of the second pair of opposed walls includes a handle including a cutout portion formed adjacent to the base and a slot formed above the cutout portion. With this handle configuration, a user's fingers can be inserted into the cutout portion and through the slot in a palm-up orientation, and into the slot and through the cutout portion in palm-down orientation.

The base includes an upper surface including a plurality of spaced bottle support areas, where each bottle support area forms part of a bottle retaining pocket. The bottle support areas each include a generally circular central portion

and a concave perimeter portion which at least partially surrounds the central portion and is attached to at least one divider wall of the bottle retaining pocket. The bottle support areas also include apertures formed therein. In a preferred embodiment, the bottle retaining pockets are sized to receive two-liter bottles.

5 The base also includes a lower surface which includes generally circular, concave receiving areas having central retaining openings sized to receive bottle closures therein, where the receiving areas are operable to guide the bottle closures into the corresponding retaining openings. The concave receiving areas of the base lower surface are substantially aligned with the bottle support areas of the
10 base upper surface, and the bottle retaining pockets within the tray have substantially equal center-to-center distances.

 When the tray of the present invention is empty and is disposed in a stacked configuration with a like lower tray, the columns of the tray are adapted to receive at least a portion of the columns of the like lower tray and a lower surface
15 of the outer wall structure of the tray is adapted to be supported on an upper surface of the wall structure of the like lower tray. When the tray of the present invention is loaded with bottles and is disposed in a stacked configuration with a like lower tray, the bottle retaining pockets of the tray are substantially aligned with the bottle retaining pockets of the like lower tray, and the receiving areas of the tray are
20 adapted to receive the closures of bottles loaded in the like lower tray.

 When the tray of the present invention is empty and is disposed in a cross-stacked configuration with an upper like tray, the column recesses are adapted to receive a portion of the wall structure of the upper like tray. When the tray of the present invention is loaded with bottles and is disposed in a cross-stacked
25 configuration with an upper like tray, the bottle receiving pockets of the tray are aligned with the receiving areas of the upper like tray. In addition, the center-to-center distances between the bottle retaining pockets of the tray of the present invention and the bottle retaining pockets of an adjacent like tray abutting the wall structure are substantially equal.

The above objects and other objects, features, and advantages of the present invention are readily apparent from the following detailed description of the best mode for carrying out the invention when taken in connection with the accompanying drawings.

5

BRIEF DESCRIPTION OF THE DRAWINGS

FIGURE 1 is a perspective view of a stackable low depth tray according to the present invention;

FIGURE 2 is a top plan view of the tray;

FIGURE 3 is a bottom plan view of the tray;

10

FIGURE 4 is a front side elevational view of the tray, the rear side being a mirror image thereof;

FIGURE 5 is a right end elevational view of the tray, the left end being a mirror image thereof;

15

FIGURE 6 is a cross-sectional view of the tray taken along line 6-6 of FIG. 1;

FIGURE 7 is a cross-sectional view of the tray taken along line 7-7 of FIG. 1;

FIGURE 8 is a perspective view of the tray of FIG. 1 disposed in a stacked configuration with a like tray;

20

FIGURE 9 is a cross-sectional view of the trays of FIG. 8 taken along line 9-9;

FIGURE 10 is a perspective view of the tray shown loaded with several bottles;

FIGURE 11 is a cross-sectional view of the tray of FIG. 10 taken along line 11-11;

5 FIGURE 12 is a top plan view of the tray of FIG. 10;

FIGURE 13 is a perspective view of the tray loaded with bottles and disposed in a stacked configuration with a like loaded tray;

FIGURE 14 is a perspective view of two lower trays disposed in a cross-stacked configuration with a like upper tray; and

10 FIGURE 15 is a perspective view of two loaded trays disposed in a cross-stacked configuration with two upper like loaded trays.

DETAILED DESCRIPTION OF THE PREFERRED EMBODIMENT(S)

15 FIGS. 1-5 show several views of a low depth tray 10 according to the present invention. While tray 10 is suited for many uses, tray 10 is particularly suitable for storing and transporting bottles B (see FIGS. 10, 13, and 15). Tray 10 includes a base 12 or floor member (best shown in FIGS. 2-3), a first pair of opposed walls 14, 16, and a second pair of opposed walls 18, 20. For convenience, and without additional limitation, first pair of opposed walls 14, 16 will be referred to herein as side walls, and second pair of opposed walls 18, 20 will be referred to
20 herein as end walls. Side walls 14, 16 and end walls 18, 20 are attached to each other to form a wall structure, and are attached to base 12 and extend upwardly therefrom. Preferably, side walls 14, 16, end walls 18, 20, and base 12 form an integral, unitary member of one-piece construction. Tray 10 is generally symmetric about a longitudinal axis 22 and a transverse axis 24 thereof (see FIG. 2).

Tray 10 is typically formed of various types of plastic or polymeric materials, such as high density polyethylene (HDPE), by an injection molding or other plastic molding process suitable to this application. As is well understood in the art, the wall thickness of base 12, walls 14, 16, 18, 20, and other components illustrated and disclosed herein may vary depending on the intended usage and other characteristics desired from tray 10. In the embodiment shown herein, tray 10 is rectangular having side walls 14, 16 which are relatively longer than end walls 18, 20. However, tray 10 of the present invention is not limited to a rectangular shape and may include side walls 14, 16 and end walls 18, 20 of equal length forming a tray 10 of square dimensions.

In a preferred embodiment, side walls 14, 16 and end walls 18, 20 have double-walled construction. The double wall construction of walls 14, 16, 18, 20 eliminates the variance in wall thickness, or draft, which can result during the molding of single thickness wall portions. Referring to FIGS. 1-2, side walls 14, 16 and end walls 18, 20 include a lower wall portion 26 having a substantially flat outer wall 28 and a generally curved inner wall 30 which is contoured to the shape of bottles loaded with tray 10 (see FIG. 11). Lower wall portion 26 further includes a lower surface 32 and an upper surface 34 which are employed during stacking and cross-stacking of trays 10 as described below with reference to FIGS. 8-9 and 14. As shown in FIG. 1 and in the side and end elevational views of FIGS. 4 and 5, respectively, lower wall portion 26 of side walls 14, 16 and end walls 18, 20 includes windows 36 formed therein which extend below the height of upper surface 34. Windows 36 are preferably generally semicircular, although other shapes are fully contemplated. As shown in FIGS. 10, 13, and 15, windows 36 allow for greater visibility of bottles B stored within tray 10, and also reduce the weight of tray 10.

Referring again to FIGS. 1 and 4-5, side walls 14, 16 and end walls 18, 20 further include an upper wall portion 38 having a plurality of wall columns 40 projecting upwardly between windows 36 and set inwardly from lower wall portion 26 to define upper surface 34. In addition, one or more upwardly projecting interior columns 42 are disposed away from side walls 14, 16 and end walls 18, 20

along the longitudinal axis 22 of tray 10. Preferably, wall columns 40 and interior columns 42 are all substantially equal in height and extend a distance above base 12 of approximately one third of the height of bottles B loaded in tray 10 (see FIG. 10). For example, when tray 10 is designed to retain two-liter bottles, columns 40, 42
5 extend upwardly approximately 4 inches from base 12. In this way, columns 40, 42 provide a stabilizing structure which still maintains high bottle visibility and reduces manufacturing costs.

Columns 40, 42 are substantially hollow for reduced tray weight and also to permit empty trays 10 to stack and cross-stack as described below with
10 reference to FIGS. 8-9 and 14. Columns 40, 42 each include at least one curved surface 44 contoured to the shape of bottles loaded in the tray. Interior columns 42 are preferably substantially octagonal in shape, having alternating curved surfaces 44 and flat surfaces 46. Wall columns 40 disposed in the corners between two adjacent walls 14, 16, 18, 20 have one curved surface 44, while wall columns 40
15 disposed on side walls 14, 16 or end walls 18, 20 have two curved surfaces 44 and one flat surface 46 disposed therebetween. Furthermore, each column 40, 42 preferably includes an opening 48 on the curved surfaces 44 thereof adjacent base 12, again for reducing the weight of tray 10.

Referring now to FIGS. 1-2 and 4, columns 40, 42 disposed along
20 transverse axis 24 of tray 10 each include a recess 50 formed therein which extends along transverse axis 24. Recesses 50 preferably extend downwardly to the height of upper surface 34 of lower wall portion 26, and allow for cross-stacking of empty trays 10, as described below with reference to FIG. 14.

Still further, as best shown in FIGS. 1 and 4 and the cross-sectional
25 views of FIGS. 6-7, tray 10 includes a plurality of interior divider walls 52 of double-walled construction which project upwardly from base 12 and extend between adjacent columns 40, 42 to form an interior grid structure. Tray 10 is constructed such that divider walls 52 are continuous with columns 40, 42 and secure columns 40, 42 to base 12. The continuous double-walled construction of
30 tray 10 provides a lighter tray having greater strength and stiffness, which can also

be more quickly, easily, and less expensively molded. Divider walls 52 are lower in height than columns 40, 42 and include curved surfaces 56 which are contoured to the shape of bottles B loaded in tray 10, surfaces 56 being connected by a top surface 57 (see FIGS. 10-12).

5 Together, divider walls 52, columns 40, 42, base 12, side walls 14, 16, and end walls 18, 20 define a plurality of bottle retaining pockets 58, where each pocket 58 includes at least one column 40, 42 and at least one divider wall 52 and is sized to receive a single bottle therein. In greater specificity, the four curved surfaces 44 of each interior column 42 define portions of four bottle retaining
10 pockets 58 and the four flat surfaces 46 separate these pockets 58 and are generally attached to an have a centerline coplanar with that of divider walls 52. The two curved surfaces 44 of each wall column 40 help define two separate and adjacent bottle retaining pockets 58, with the flat surface disposed between these two bottle retaining pockets 58. Lastly, the single curved surface 44 of wall columns 40
15 disposed in the corners of tray 10 belong to only one bottle retaining pocket 58. As such, four curved surfaces 44 on four separate columns 40, 42 form the four corners of a bottle retaining pocket 58.

 The ratio of the length of side walls 14, 16 to the length of end walls 18, 20 is substantially equal to the ratio of the number of bottle retaining pockets 58
20 in the lengthwise direction to the number of bottle retaining pockets 58 in the widthwise direction. For example, the 8-bottle tray 10 depicted herein is twice as long as it is wide and holds bottles in a 4x2 relationship. In addition, bottle retaining pockets 58 of tray 10 are sized to receive two-liter bottles, as shown in FIGS. 10-13 and 15. Of course, tray 10 according to the present invention can be
25 designed to retain any number of bottles and any size of bottles.

 Referring now to the top plan view of FIG. 2, base 12 includes an upper surface 60 including a plurality of spaced bottle support areas 62, where each bottle support area 62 forms part of one bottle retaining pocket 58. Bottle support areas 62 each include a generally circular central portion 64 and a concave perimeter
30 portion 66 which at least partially surrounds the central portion 64. Central portion

64 is preferably substantially flat to permit retention of bottles regardless of the configuration of the bottom of the bottles, and to permit rotation of bottles of all types within bottle retaining pockets 58 to facilitate display of the product through windows 36. Alternatively, central portion 64 can be formed with small depressions or projections (not shown) corresponding to the locations and configurations of the bottoms of the bottles to be retained within each of the bottle receiving pockets 58.

Perimeter portion 66 is contoured to the bottle shape (see FIG. 11) and is continuous with the side walls 14, 16, end walls 18, 20, and divider walls 52 included in each bottle retaining pocket 58. The contoured bottle retaining pockets 58 of tray 10 of the present invention provide greater support and stability for the bottles B loaded in tray 10, such that excess movement of the bottles is avoided in order to ensure that the bottles remain in a vertically upright position to most advantageously bear the load of bottles stacked or cross-stacked above. As best shown in FIG. 2, bottle support areas 62 preferably have a configuration with a plurality of apertures 68 formed therein. These apertures 68 provide a lightweight tray, and are practical for allowing any liquids to drain through base 12. Of course, bottle support areas 62 could include any design suitable for supporting bottles.

Referring now to FIGS. 1 and 5, end walls 18, 20 each include a handle 70 formed therein to facilitate carrying tray 10. In the preferred embodiment shown, handles 70 include a cutout portion 72 formed adjacent to base 12 and a slot 74 formed above cutout portion 72, wherein the area immediately interior to cutout portion 72 and slot 74 is hollow in order to ensure sufficient hand clearance. With this handle configuration, a user's fingers can be inserted into cutout portion 72 and through slot 74 in a palm-up orientation, or into slot 74 and through cutout portion 72 in palm-down orientation. As yet another alternative, a user could insert his/her fingers into slot 74 in a palm-up orientation. For example, the palm-up orientation may be preferred when tray 10 is on the ground, while the palm-down orientation may be preferred when tray 10 is stacked above an operator's head. Providing an operator with the option of handling tray 10 in either hand orientation enables easier manipulation of tray 10. The importance of this feature can be appreciated when

tray 10 is loaded with bottles B, as shown in FIGS. 13 and 15. Advantageously, handle 70 does not increase the overall footprint of tray 10.

In addition to handles 70 provided on end walls 18, 20, handles 70 or an alternate handle configuration may be provided on side walls 14, 16 such that a gripping structure is disposed on each side of tray 10 for removing cross-stacked trays 10 from a pallet, since some of the cross-stacked trays 10 will have end walls 18, 20 facing the operator and some of the cross-stacked trays 10 will have side walls 14, 16 facing the operator (see FIG. 15). Handles 70 may also have finger recesses 76 along the upper edge and/or lower edge, as shown in FIGS. 1 and 3, to further aid in carrying tray 10.

Turning next to the bottom plan view of FIG. 3, base 12 also includes a lower surface 78 which includes receiving areas 80 having central retaining openings 82 sized to receive bottle closures therein of bottles disposed therebelow. Receiving areas 80 are preferably recessed and concave (see FIG. 11) and generally circular, and are operable to guide the closures C of bottles B in a lower tray into the corresponding retaining openings 82 to retain loaded trays 10 in a stacked (FIG. 13) or cross-stacked (FIG. 16) arrangement. More specifically, when tray 10 is being positioned on a like lower tray, often the bottle closures C will not precisely line up with the respective central openings 82. However, the bottle closures C will contact receiving areas 80 which, because of their concave shape, will guide the bottle closures C into central retaining openings 82. Base lower surface 78 preferably further includes ribs 84 connecting receiving areas 80 to each other and to side walls 14, 16 and end walls 18, 20. Ribs 84 allow bottle closures C to slide easily along lower surface 78 between receiving areas 80. Therefore, once the bottle closures are disengaged from receiving areas 80, tray 10 may slide along the bottle closures in a similar lower tray to facilitate handling.

Receiving areas 80 of base lower surface 78 are substantially aligned with bottle support areas 62 of base upper surface 60, and correspond in number to the number of bottles that tray 10 is designed to retain. Furthermore, bottle retaining pockets 58 within tray 10 have substantially equal center-to-center

distances, and the center-to-center distances between adjacent bottle retaining pockets 58 in adjacent trays 10 with abutting side walls are substantially equal.

As shown in the perspective view of FIG. 8 and the cross-sectional view of FIG. 9, empty trays 10 may be securely stacked on top of each other. In FIGS. 8-9 and subsequent figures, elements of lower like tray or trays 10' are given like reference numerals to corresponding elements in upper tray or trays 10 except for the addition of a prime (') designation. When upper tray 10 is empty and is disposed in a stacked configuration with like lower tray 10', the substantially hollow columns 40, 42 of upper tray 10 are adapted to receive at least a portion of respective columns 40', 42' of like lower tray 10'. In addition, lower surface 32 of side walls 14, 16 and end walls 18, 20 is adapted to be supported on upper surface 34' of lower side wall portion 26' of like lower tray 10'.

Turning now to FIG. 13, upper tray 10 is shown loaded with bottles B and disposed in a stacked configuration with like lower tray 10'. As shown, bottle retaining pockets 58 of upper tray 10 are substantially aligned with bottle retaining pockets 58' of like lower tray 10', such that the bottles B are coaxially aligned with each other.

As an alternative to stacking, cross-stacking of trays is done by rotating a top tray 90 degrees about a vertical axis and lowering it onto a lower tray or trays (see FIG. 14). Cross-stacking is often used to improve the stability of trays of bottles loaded on a warehouse pallet. In a cross-stacked structure, each layer has trays oriented parallel to each other with the trays in adjacent layers being oriented at right angles to each other. Since each tray in the cross-stacked layer rests on at least two trays in the layer below, the trays of the cross-stacked layer tend to keep the trays on which they rest from moving apart from each other, thereby stabilizing the structure.

With reference to FIG. 14, when upper tray 10 is empty and is disposed in a cross-stacked configuration with lower like trays 10', column recesses 50' of lower like trays 10' are adapted to receive a portion of the wall structure of

the upper tray 10, which in the example depicted is side wall 14. In addition, lower surface 32 of side wall 16 and end walls 18, 20 are supported on upper surface 34' of lower side wall portions 26' of lower trays 10'. When disposed in cross-stacked configuration shown in FIG. 14, at least a portion of hollow columns 40', 42' of trays 10' are adapted to be received within respective columns 40, 42 of upper tray 10.

Lastly, referring to FIG. 15, when trays 10 of the present invention are loaded with bottles B and are disposed in a cross-stacked configuration with lower like trays 10', bottle retaining pockets 58 of trays 10 are substantially aligned with bottle retaining pockets 58' of trays 10', such that the bottles B are coaxially aligned with each other. This is due to the substantially equal center-to-center distances between the bottle retaining pockets 58 of adjacent like trays 10 having abutting side walls 14, 16 or end walls 18, 20.

While embodiments of the invention have been illustrated and described, it is not intended that these embodiments illustrate and describe all possible forms of the invention. Rather, the words used in the specification are words of description rather than limitation, and it is understood that various changes may be made without departing from the spirit and scope of the invention.

CLAIMS:

1. A low depth tray for bottles, comprising:
 - a first pair of opposed walls;
 - a second pair of opposed walls connected to the first pair of opposed walls to form a wall structure;
 - a base attached to the wall structure;
 - at least one interior column projecting upwardly from the base within the wall structure, the at least one interior column having a height less than the height of bottles loaded in the tray; and
 - a plurality of interior divider structures which project upwardly from the base, each divider structure extending from the at least one interior column,wherein the divider structures, the at least one interior column, the base, and the wall structure define a plurality of bottle retaining pockets, each pocket sized to receive a single bottle therein, wherein each divider structure includes spaced apart first and second pocket side defining portions having areas void of material between the defined pocket sides.
2. The tray according to claim 1, wherein the wall structure includes an upper wall portion having a plurality of upwardly projecting wall columns.
3. The tray according to claim 2, wherein the wall columns and the at least one interior column are substantially equal in height.
4. The tray according to claim 2, wherein the wall columns and the at least one interior column are substantially hollow.
5. The tray according to claim 2, wherein each wall column includes at least one surface contoured to the shape of bottles loaded in the tray, and wherein the at least one interior column is substantially octagonal and includes surfaces disposed on alternating sides thereof which are contoured to the shape of bottles loaded in the tray.

6. The tray according to claim 5, wherein the wall columns and the at least one interior column include an opening adjacent the base on the contoured surfaces thereof.

7. The tray according to claim 1, wherein the wall structure has a double-walled construction and includes a lower wall portion having a substantially flat outer wall and a generally contoured inner wall.

8. The tray according to claim 7, wherein the lower wall portion includes a plurality of windows formed therein.

9. The tray according to claim 1, wherein the first and second pocket side defining portions each include at least one surface contoured to the shape of bottles loaded in the tray.

10. The tray according to claim 1, wherein each of the second pair of opposed walls includes a handle, each handle including a cutout portion formed adjacent to the base, and a slot formed above the cutout portion, such that a user's fingers can be inserted into the cutout portion and through the slot in a palm-up orientation, and into the slot and through the cutout portion in palm-down orientation.

11. The tray according to claim 1, wherein the base includes an upper surface including a plurality of spaced bottle support areas, wherein each bottle support area forms part of one bottle retaining pocket and includes a generally circular central portion.

12. The tray according to claim 11, wherein each bottle support area further includes a concave perimeter portion which at least partially surrounds the central portion and is attached to the divider structure of the bottle retaining pocket.

13. The tray according to claim 1, wherein the base includes a lower surface having generally circular receiving areas having central retaining openings sized to receive

bottle closures therein, wherein the receiving areas are operable to guide the bottle closures into the corresponding retaining openings.

14. A low depth tray for bottles, comprising:

a base;

a wall structure extending upwardly from the base; and

an interior grid structure integrally formed with the wall structure, the interior grid structure including a plurality of interior columns projecting upwardly within the wall structure and a plurality of first and second interior divider structures which project upwardly from the base for contacting bottles, the interior columns having a height less than bottles loaded in the tray, each first divider structure extending between first and second interior columns and each second divider structure extending between one of the interior columns and the wall structure,

wherein the interior grid structure, the base, and the wall structure together define a plurality of bottle retaining pockets capable of providing at least four lateral contact points for each bottle received therein, and wherein the first and second divider structures each include a first pocket side defining portion forming part of a first bottle retaining pocket and at least one rib extending therefrom toward a second bottle retaining pocket.

15. The tray according to claim 14, further including a second pocket side defining portion connected to the at least one rib and forming part of a second bottle retaining pocket.

16. The tray according to claim 15, wherein the divider structures each include an upper surface connecting the first and second pocket side defining portions.

17. The tray according to claim 15, wherein the first and second pocket side defining portions each include at least one surface contoured to the shape of bottles loaded in the tray.

18. The tray according to claim 14, wherein the wall structure includes an upper wall portion having a plurality of upwardly projecting wall columns.

19. The tray according to claim 18, wherein the wall columns and the interior columns are substantially hollow.

20. The tray according to claim 18, wherein each wall column includes at least one surface contoured to the shape of bottles loaded in the tray, and wherein the interior columns are substantially octagonal and include surfaces disposed on alternating sides thereof which are contoured to the shape of bottles loaded in the tray.

21. The tray according to claim 14, wherein the wall structure has a double-walled construction and includes a lower wall portion having a substantially flat outer wall and a generally contoured inner wall.

22. The tray according to claim 21, wherein the lower wall portion includes a plurality of windows formed therein.

23. The tray according to claim 14, wherein the base includes an upper surface including a plurality of spaced bottle support areas, wherein each bottle support area forms part of one bottle retaining pocket and includes a generally circular central portion.

24. A low depth tray for storing and transporting bottles, comprising:
a floor member;
a unitary wall structure extending upwardly from the floor member, the wall structure having a plurality of windows and a plurality of upwardly projecting wall columns disposed between the windows; and
an interior grid structure disposed within the wall structure and connected thereto, the interior grid structure including a plurality of first and second divider walls extending upwardly from the floor member and a plurality of spaced interior columns projecting upwardly from the divider walls, each first divider wall including two spaced apart,

generally parallel surfaces having areas void of material therebetween and extending between first and second interior columns, and each second divider wall including two spaced apart, generally parallel surfaces having areas void of material therebetween and extending between one of the interior columns and the wall structure, the interior columns having a height less than the height of bottles loaded in the tray,

wherein the interior grid structure, the wall structure, and the floor member together define a plurality of bottle retaining pockets each sized to receive a single bottle therein, and the wall columns and the interior columns each include at least one contoured surface adapted to contact bottles received in the bottle retaining pockets.

25. The tray according to claim 24, wherein the wall structure has a double-walled construction, the wall structure including a lower wall portion having a substantially flat outer wall and a generally contoured inner wall adjacent the window which is adapted to contact bottles received in the bottle retaining pockets.

26. The tray according to claim 24, wherein the first and second divider walls each include at least one contoured surface adapted to contact bottles received in the bottle retaining pockets.

27. The tray according to claim 24, wherein the columns are substantially hollow.

28. The tray according to claim 24, wherein the interior columns and the wall columns extend above the floor member a distance of approximately one third of the height of bottles loaded in the tray.

29. The tray according to claim 24, wherein the wall columns and interior columns disposed along a transverse axis of the tray each include a recess formed therein which extends along the transverse axis of the tray.

30. The tray according to claim 24, wherein the wall structure includes two handles on opposite ends thereof, each handle including a cutout portion formed in the wall structure adjacent the floor member, and a slot formed in the wall structure above the cutout portion, such that a user's fingers can be inserted into the cutout portion and through the slot in a palm-up orientation, and into the slot and through the cutout portion in palm-down orientation.

31. The tray according to claim 24, wherein the floor member includes an upper surface including a plurality of spaced bottle support areas, wherein each bottle support area includes a generally circular central portion and a concave perimeter portion which at least partially surrounds the central portion and is attached to at least one divider wall.

32. The tray according to claim 24, wherein the floor member includes a lower surface having receiving areas including central retaining openings sized to receive bottle closures therein.

33. The tray according to claim 24, wherein the bottle retaining pockets are sized to receive two-liter bottles.

34. The tray according to claim 24, wherein the first and second divider walls each include an upper surface connecting the two generally parallel surfaces.

35. A plastic low depth tray for bottles, comprising:
a base having an upper surface and a lower surface, the upper surface including a plurality of spaced bottle support areas having a central portion at least partially surrounded by a curved perimeter portion;

a pair of opposed end walls extending upwardly from the base, each end wall including a handle formed therein; a pair of opposed side walls extending upwardly from the base and integrally joined with the pair of opposed end walls, wherein the side and end walls are of double-walled construction and include a lower wall portion and an upper wall portion, the lower wall portion having a substantially flat outer wall, a generally contoured inner wall,

and a plurality of windows formed therein, and the upper wall portion having a plurality of spaced wall columns projecting upwardly from the lower wall portion between the windows; and

an interior grid structure integrally formed with the end walls and the side walls, the interior grid structure including a plurality of spaced upwardly projecting interior columns disposed along a longitudinal axis of the tray and having a height less than the height of bottles loaded in the tray, and a plurality of first and second divider walls having areas void of material therebetween and extending upwardly from the base, each first divider wall including two spaced apart, generally parallel surfaces interconnecting first and second interior columns, and each second divider wall including two spaced apart, generally parallel surfaces having areas void of material therebetween and interconnecting one of the wall columns and one of the interior columns,

wherein the interior grid structure, side walls, end walls, and base together define a plurality of bottle retaining pockets each sized to receive a single bottle therein, each pocket including a bottle support area for supporting a base of each bottle and at least one column and at least one divider wall for providing lateral support for each bottle.

36. A stackable low depth tray for storing and transporting bottles, comprising:
a base having an upper surface and a lower surface, the lower surface including a plurality of receiving areas;

a wall structure extending upwardly from the base, the wall structure including a lower wall portion having a lower surface and an upper surface, and an upper wall portion including a plurality of spaced, upwardly extending hollow wall columns;

a plurality of spaced, upwardly extending hollow interior columns disposed within the wall structure, the interior columns having a height less than the height of bottles loaded in the tray; and

a plurality of interior divider walls, each divider wall including two spaced apart, generally parallel surfaces having areas void of material therebetween and which continuously join a first column portion and a second column portion to form, in combination with the base and the wall structure, a plurality of bottle retaining pockets each sized to receive a single bottle therein,

wherein when the tray is empty and is disposed in a stacked configuration with a like lower tray, the columns of the tray are adapted to receive at least a portion of the columns of the like lower tray and the lower surface of the lower wall portion of the tray is adapted to be supported on the upper surface of the lower wall portion of the like lower tray, and when the tray is loaded with bottles and is disposed in a stacked configuration with a like lower tray, the bottle retaining pockets of the tray are substantially aligned with the bottle retaining pockets of the like lower tray, and the receiving areas of the tray are adapted to receive the closures of bottles loaded in the like lower tray.

37. The tray according to claim 36, wherein the wall structure has a double-walled construction, and the lower wall portion includes a plurality of windows formed therein between the wall columns.

38. The tray according to claim 36, wherein each of the wall columns and interior columns includes at least one surface contoured to the shape of bottles loaded in the tray.

39. A stackable low depth tray for storing and transporting bottles, comprising:
 a base having an upper surface and a lower surface, the upper surface including a plurality of bottle support areas and the lower surface including a plurality of receiving areas substantially aligned with the bottle support areas;

a wall structure attached to the base, the wall structure including a lower wall portion having a lower surface and an upper surface, and an upper wall portion including a plurality of spaced, upwardly extending wall columns;

a plurality of spaced interior columns generally disposed within the wall structure and extending upwardly to a height less than the height of bottles loaded in the tray, wherein the wall columns and interior columns disposed along a transverse axis of the tray each include a recess formed therein which extends along the transverse axis of the tray; and

a plurality of interior divider walls, each divider wall including two spaced apart, generally parallel surfaces having areas void of material therebetween and which interconnect a first one of the wall and interior columns with a second one of the wall and

interior columns to form, in combination with the bottle support areas and the wall structure, a plurality of bottle retaining pockets within the tray each sized to receive a single bottle therein and having substantially equal center-to-center distances,

wherein when the tray is empty and is disposed in a cross-stacked configuration with an upper like tray, the column recesses are adapted to receive a portion of the wall structure of the upper like tray, and when the tray is loaded with bottles and is disposed in a cross-stacked configuration with an upper like tray, the bottle retaining pockets of the tray are aligned with the receiving areas of the upper like tray.

40. The tray according to claim 39, wherein the outer wall structure has a double-walled construction, and the lower wall portion includes a plurality of windows formed therein between the wall columns.

41. The tray according to claim 39, wherein each column includes at least one surface contoured to the shape of bottles loaded in the tray.

42. The tray according to claim 39, wherein the columns are substantially hollow for receiving at least a portion of the columns of a subjacent like tray.

43. The tray according to claim 39, wherein the column recesses extend downwardly to the height of the upper surface of the lower wall portion, and the upper surface of the wall structure of the tray is adapted to support the lower surface of the wall structure of the upper like tray.

44. The tray according to claim 39, wherein each bottle support area includes a generally circular central portion and a concave perimeter portion which at least partially surrounds the central portion and is attached to at least one divider wall.

45. The tray according to claim 39, wherein the bottle support areas include apertures formed therein.

46. The tray according to claim 39, wherein the center-to-center distances between the bottle retaining pockets of the tray and the battle retaining pockets of an adjacent like tray abutting the wall structure are substantially equal.

47. The tray according to claim 1, wherein the divider structures each include an upper surface connecting the first and second pocket side defining portions.

48. The tray according to claim 14, wherein the first and second divider structures each include an upper surface connecting the pocket side defining portion and the ribs.

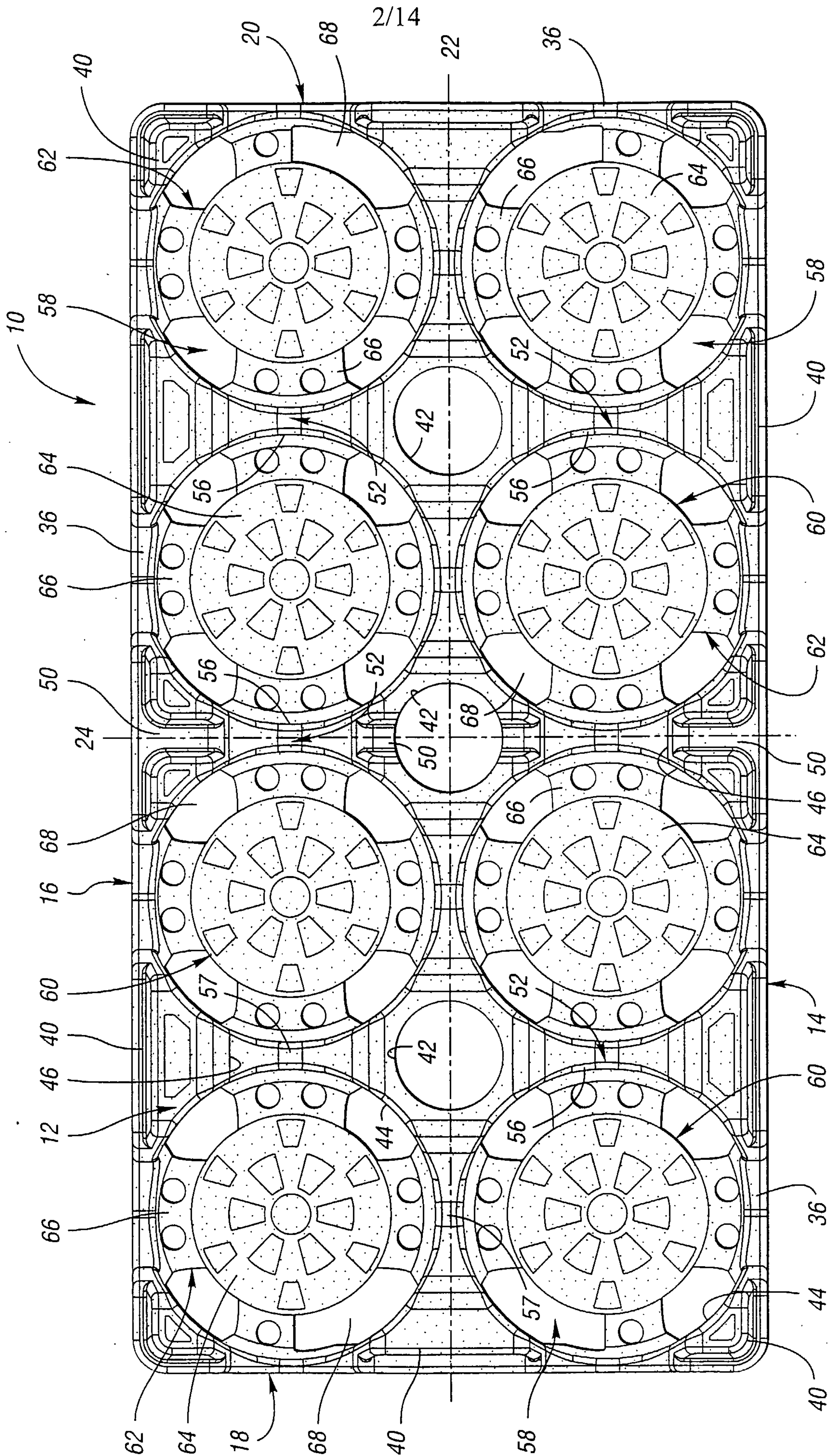


Fig. 2

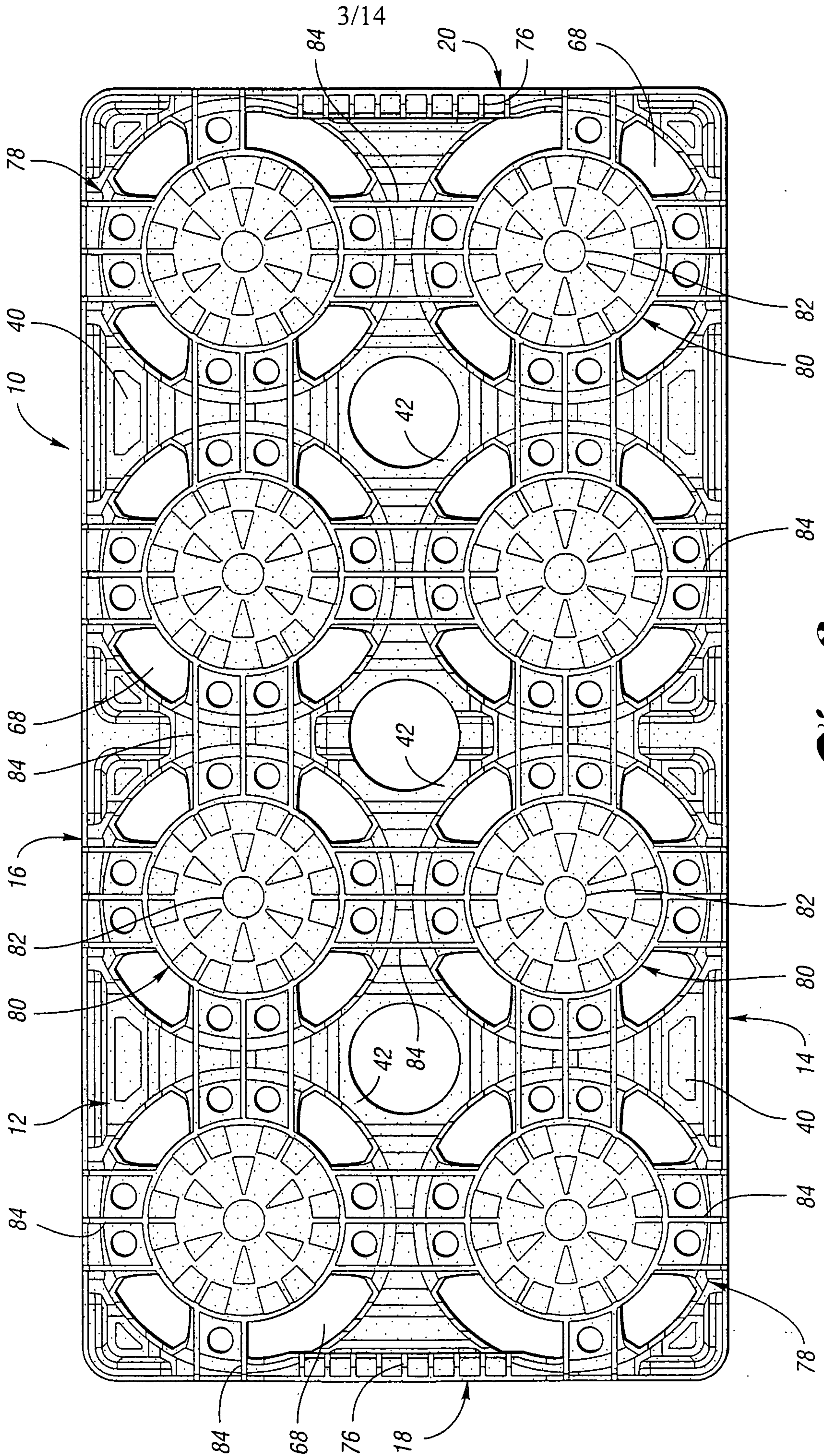


Fig. 3

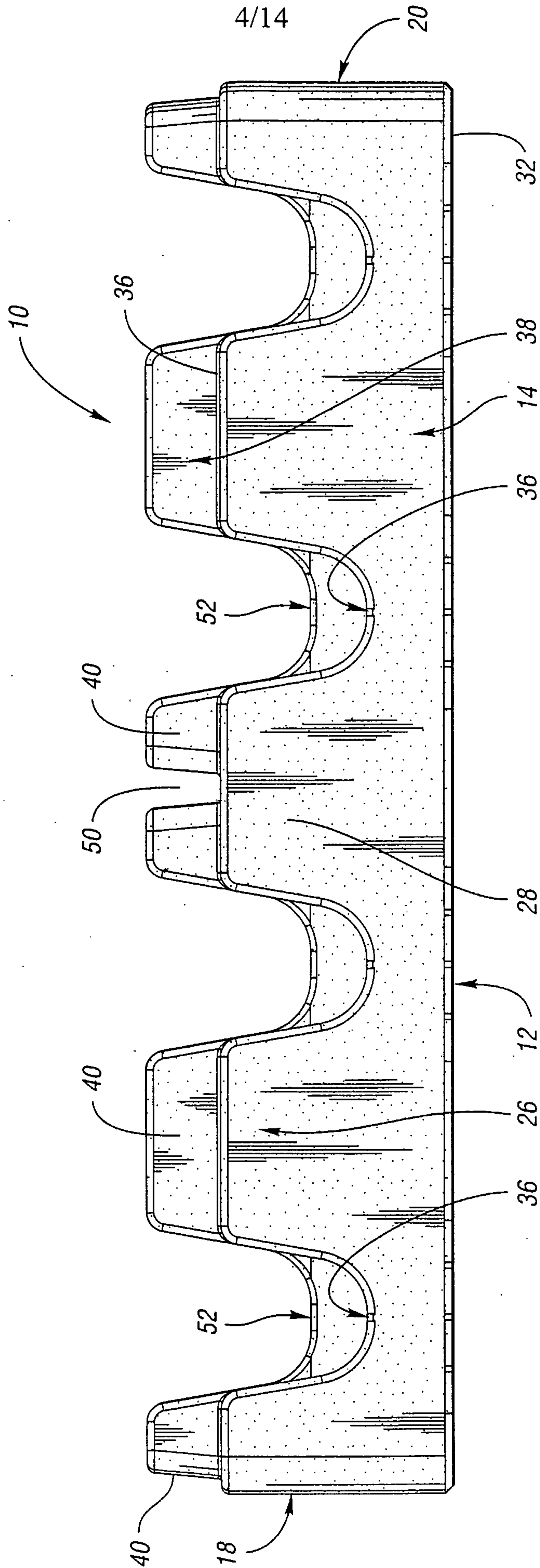


Fig. 4

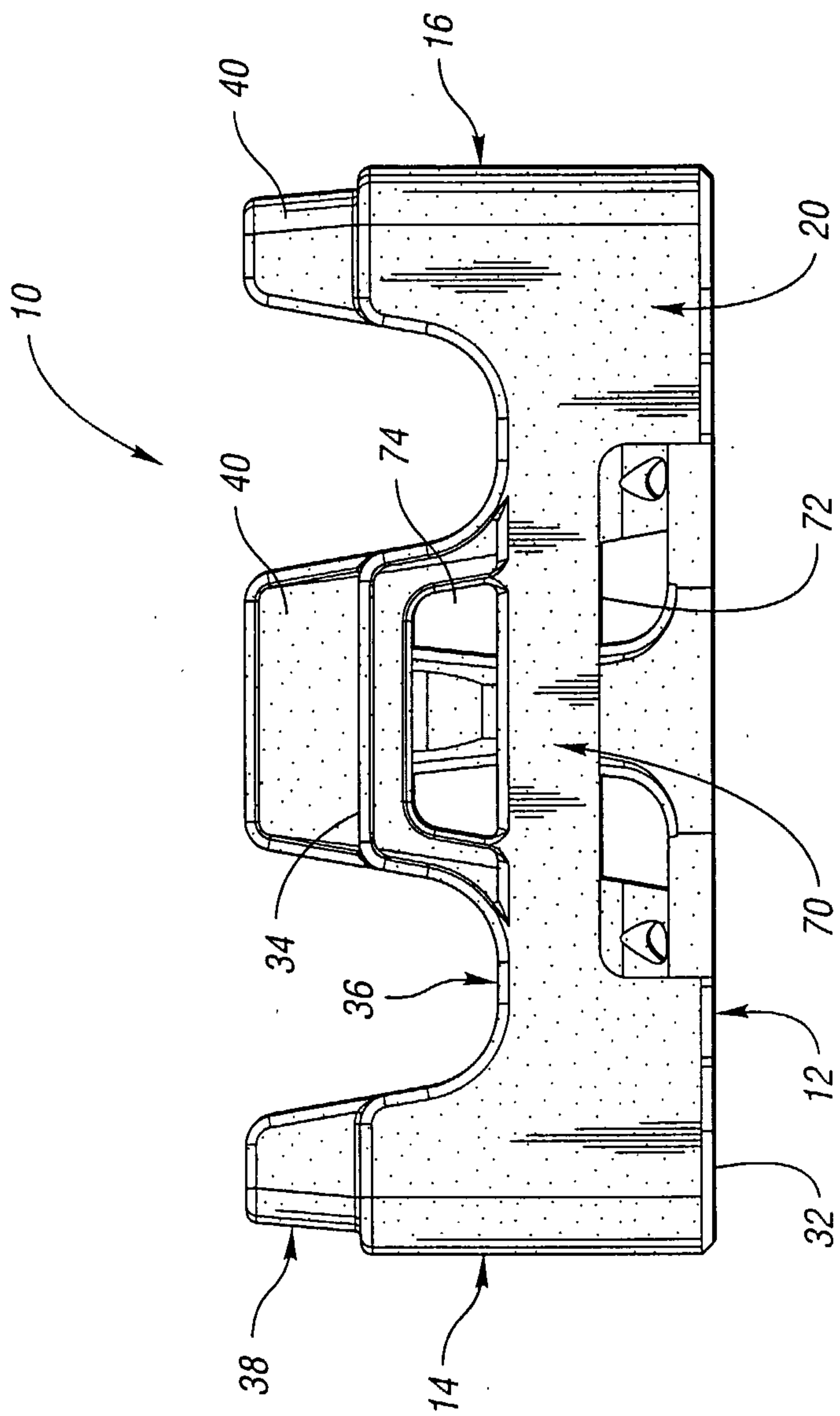


Fig. 5

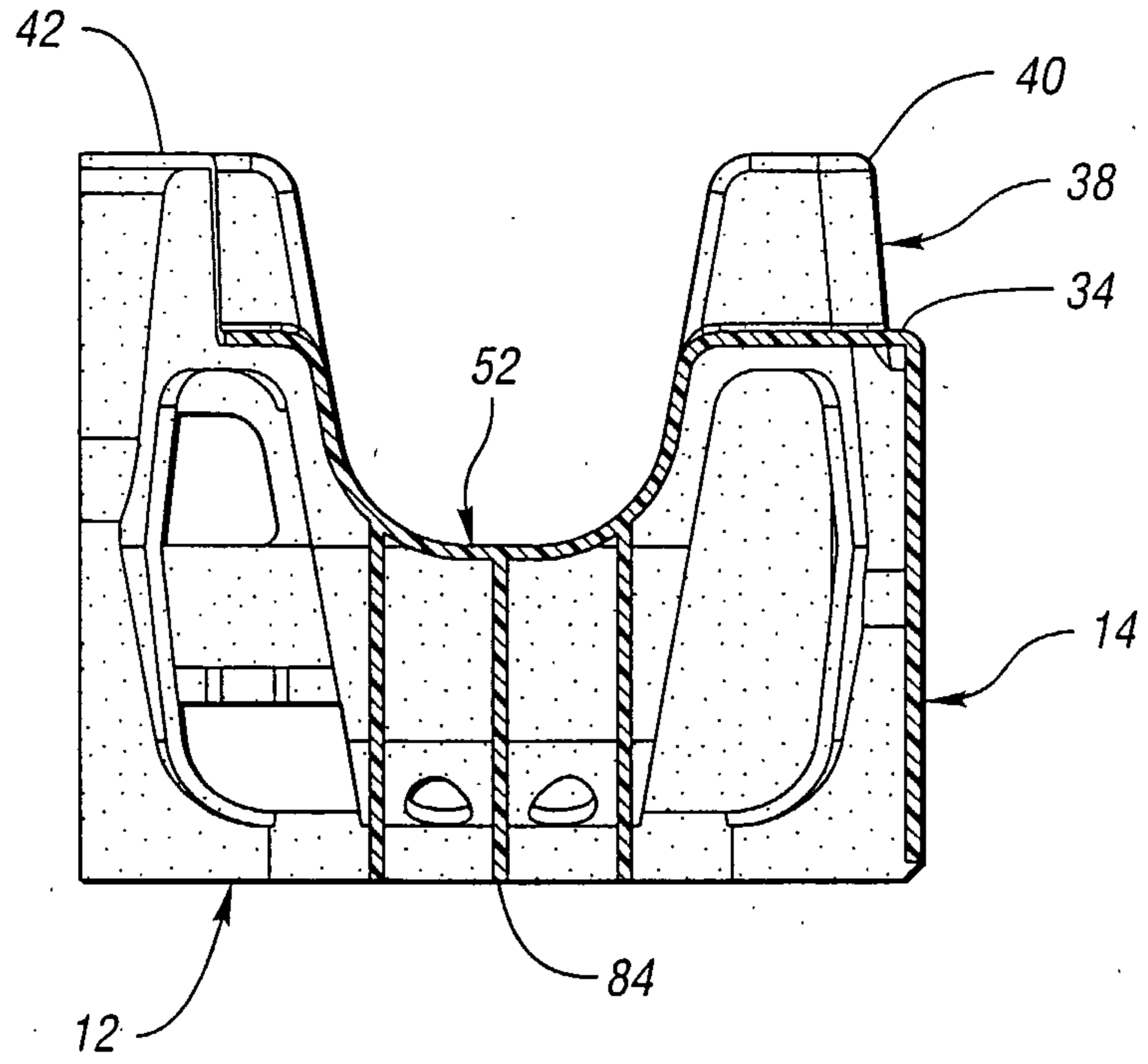


Fig. 6

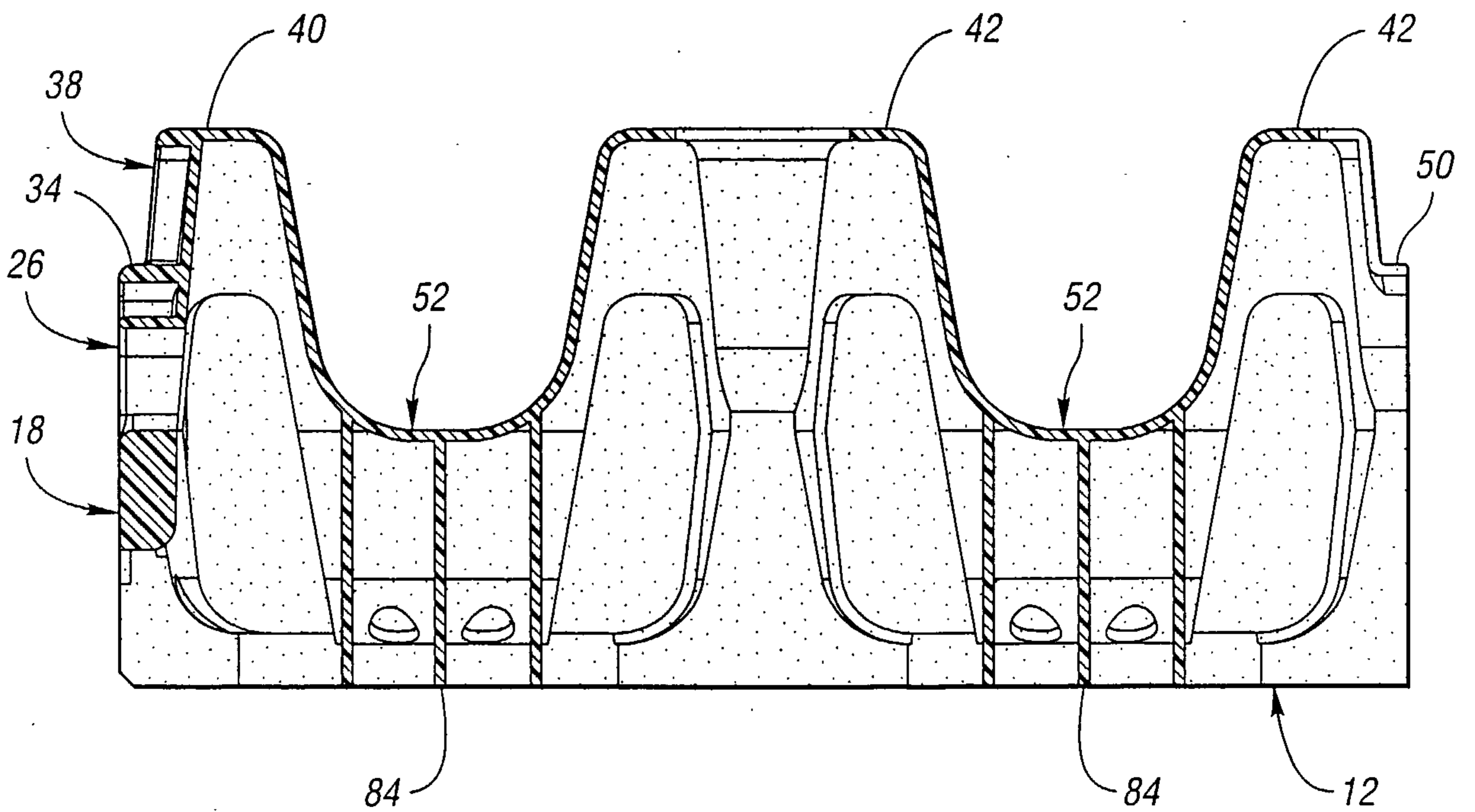


Fig. 7

7/14

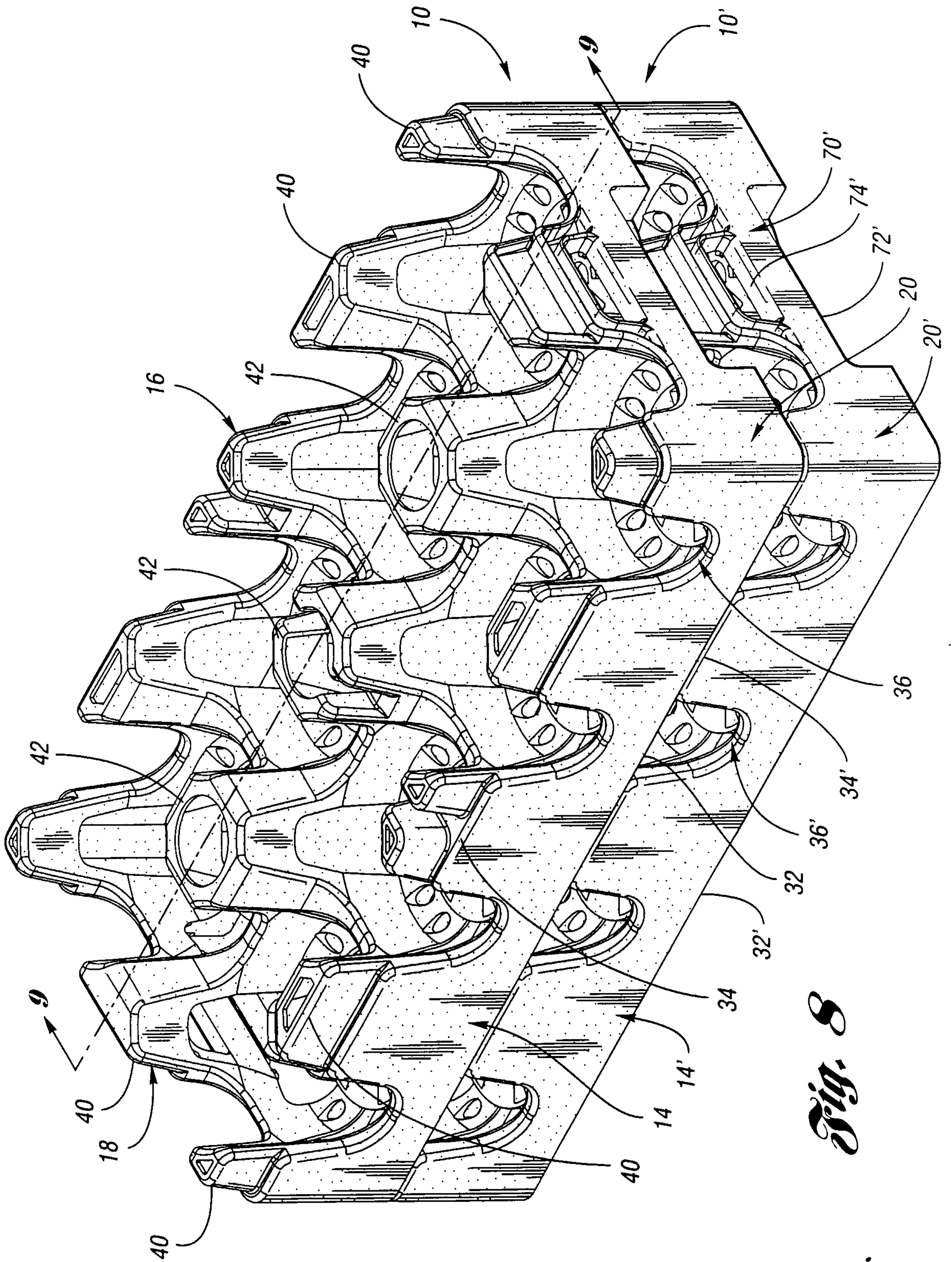


Fig. 8

9/14

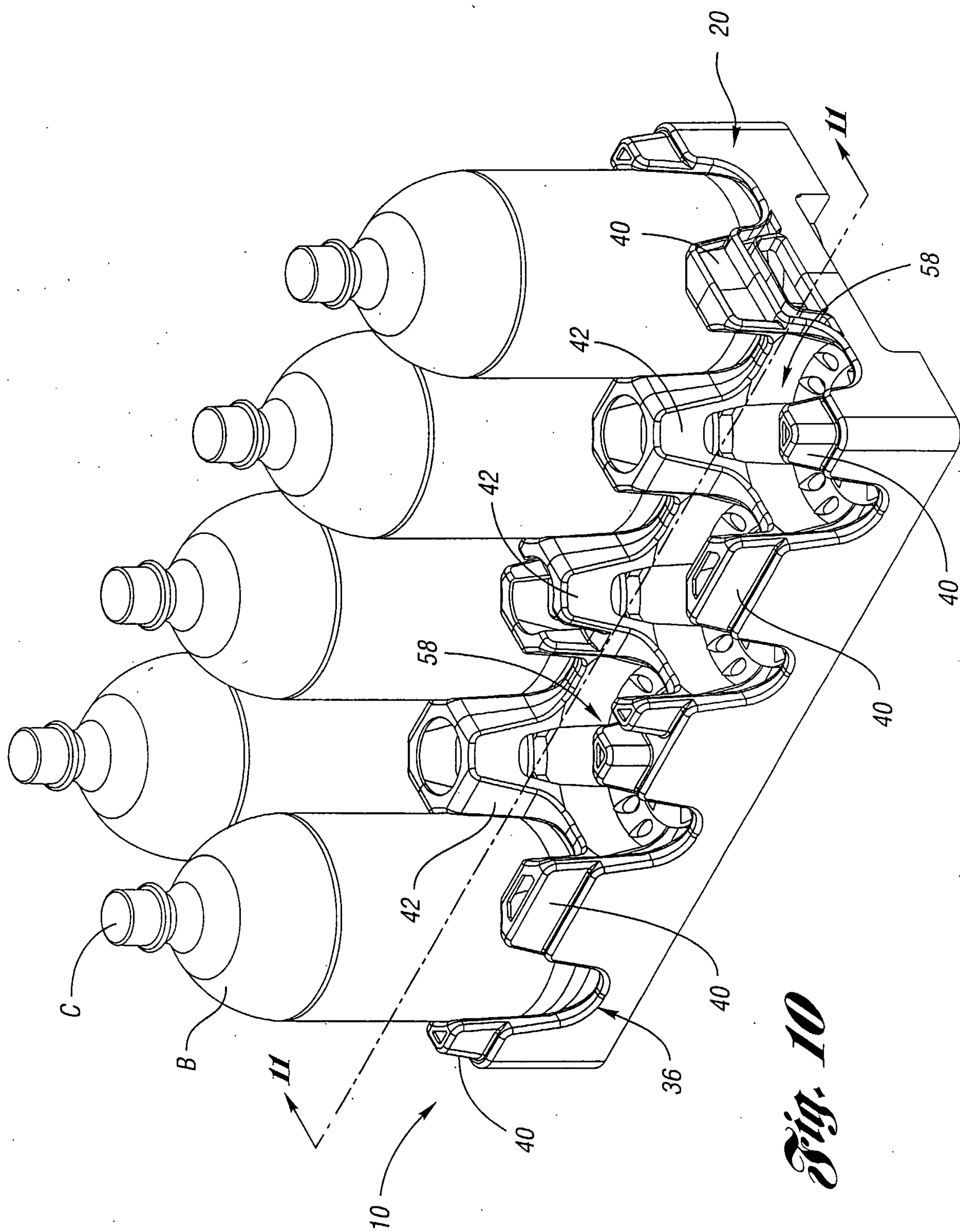


Fig. 10

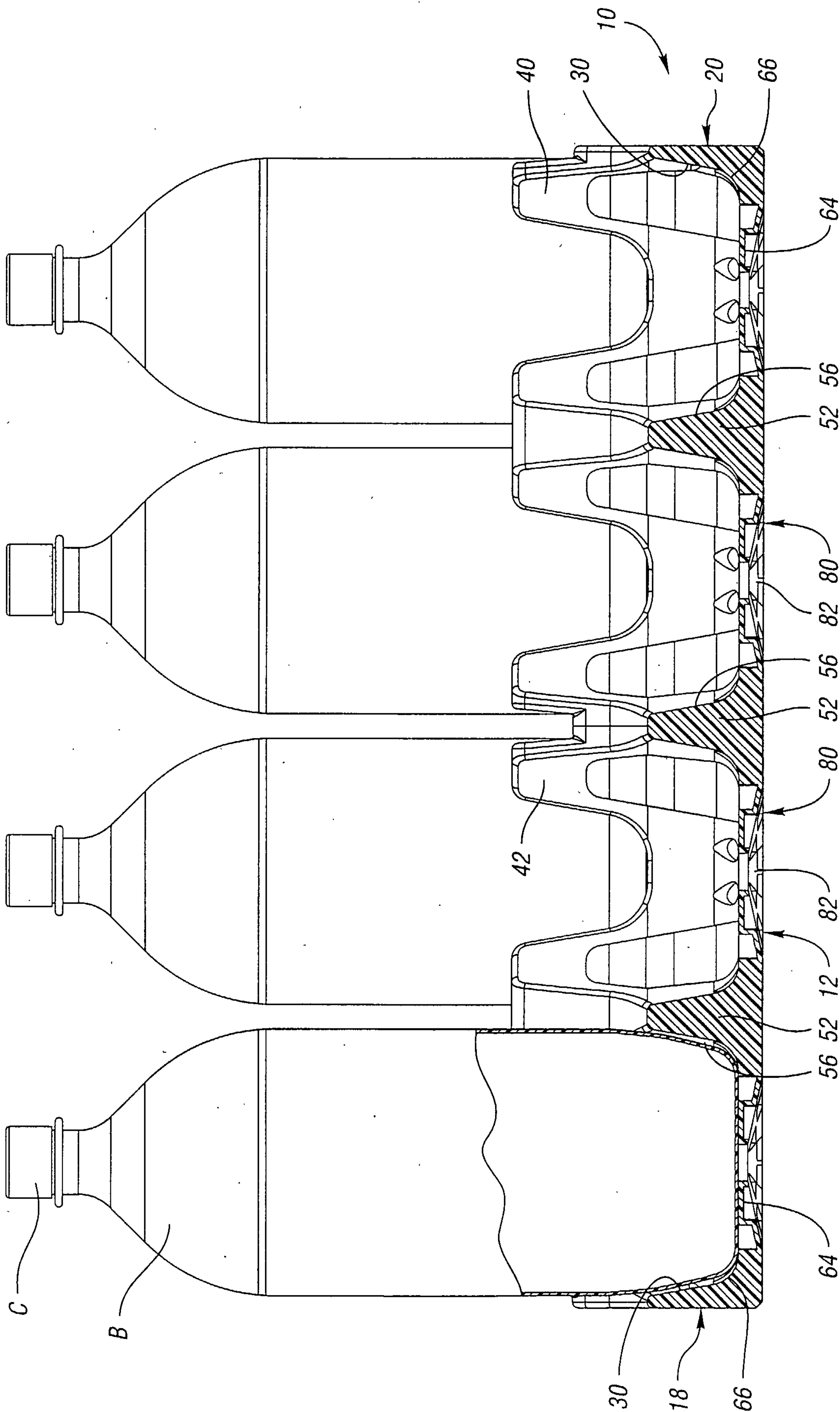


Fig. 11

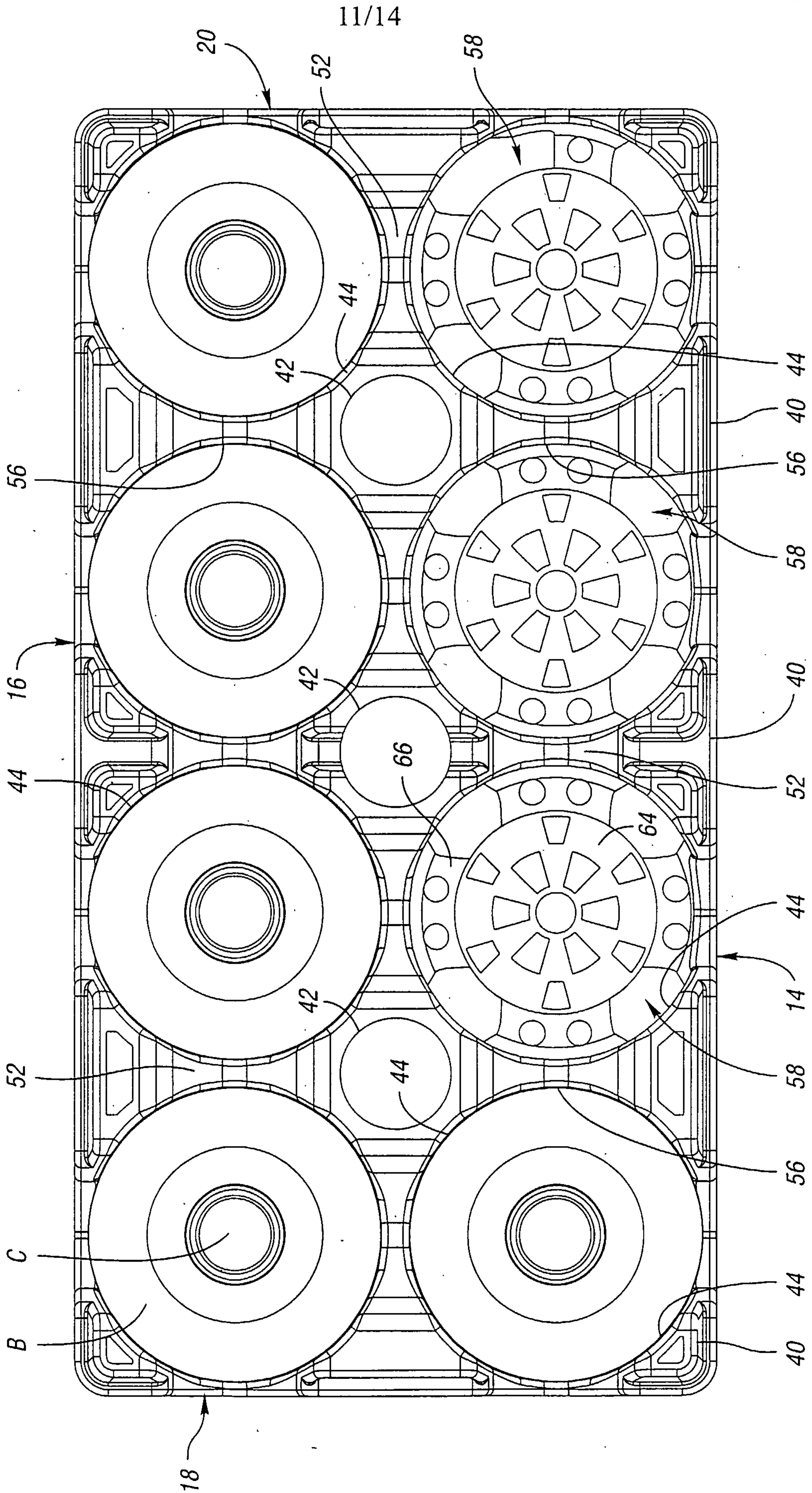


Fig. 12

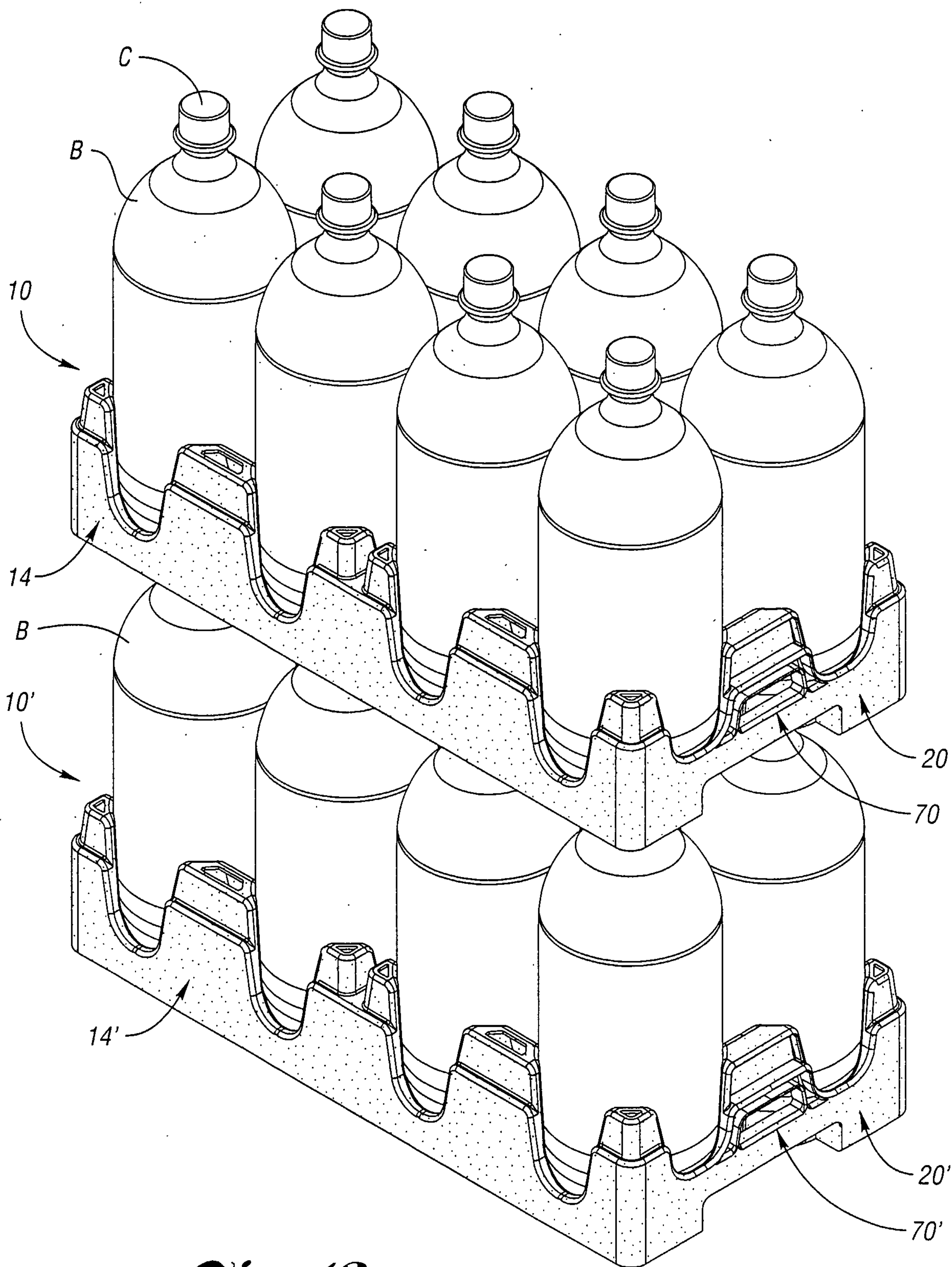


Fig. 13

13/14

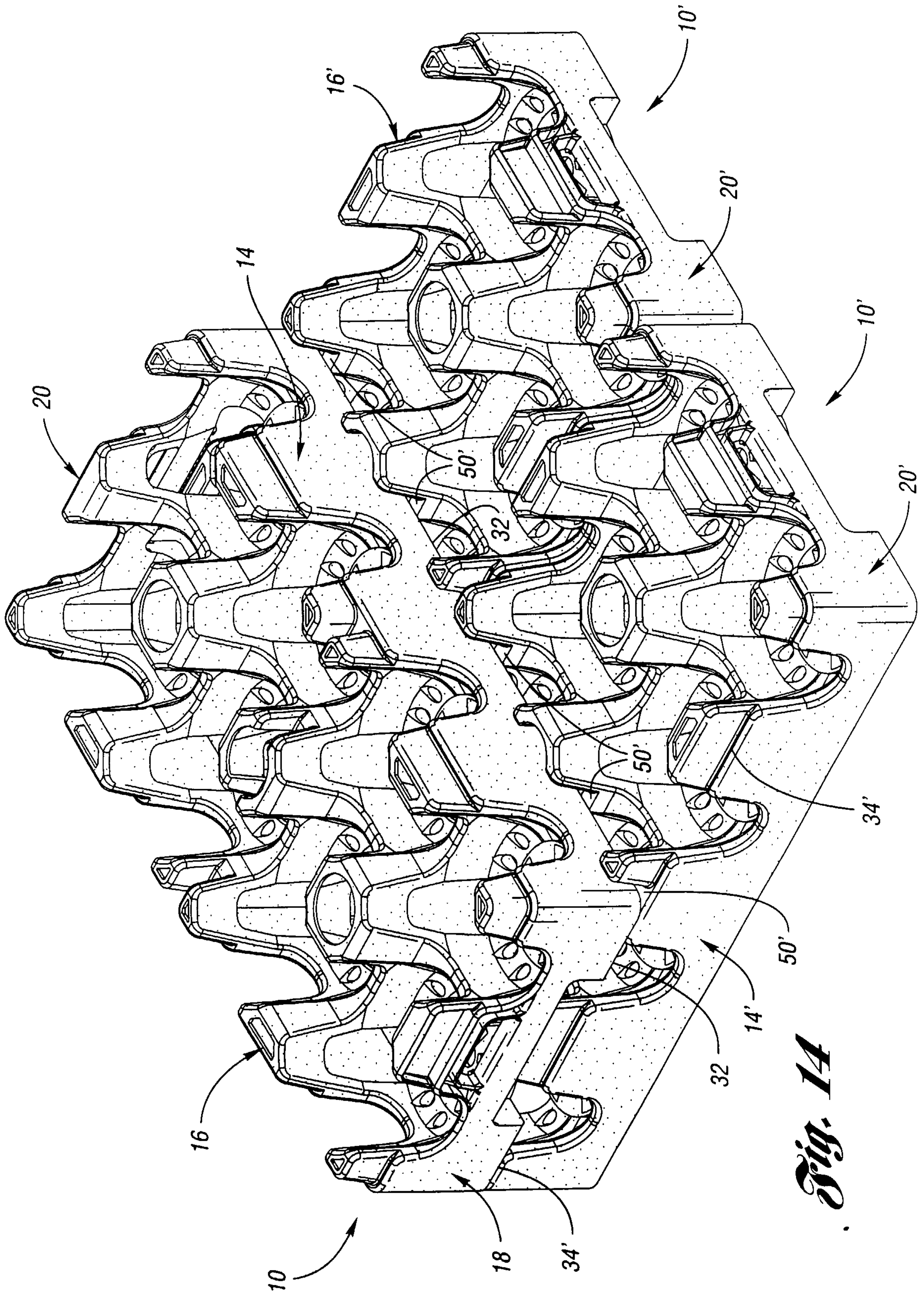


Fig. 14

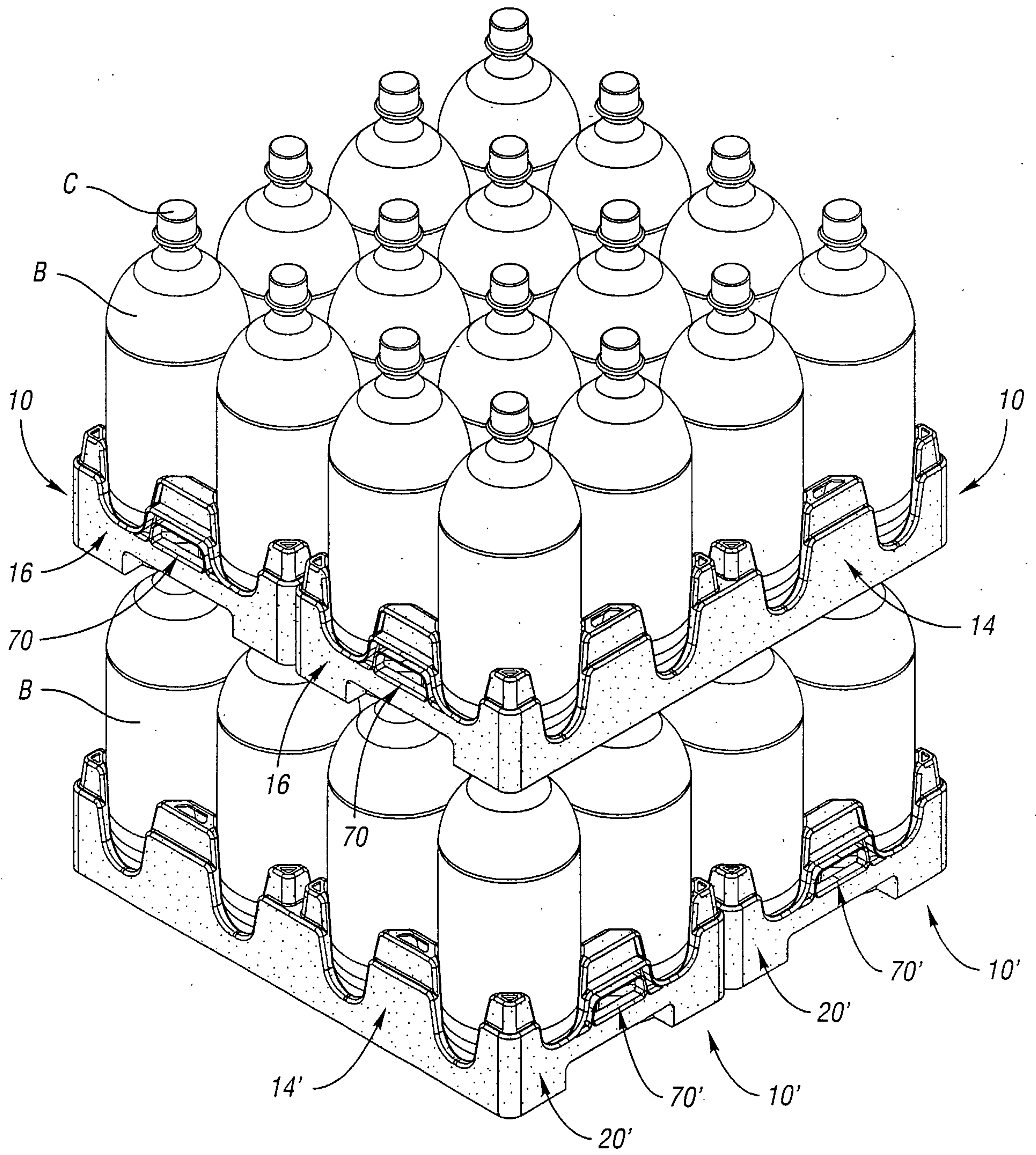


Fig. 15

