



US0D1068321S

(12) **United States Design Patent**
Lin

(10) **Patent No.:** **US D1,068,321 S**

(45) **Date of Patent:** **** Apr. 1, 2025**

(54) **SOAP DISPENSER**

(71) Applicant: **Jidi Lin**, Cixi (CN)

(72) Inventor: **Jidi Lin**, Cixi (CN)

(**) Term: **15 Years**

(21) Appl. No.: **29/978,959**

(22) Filed: **Dec. 16, 2024**

(30) **Foreign Application Priority Data**

Oct. 31, 2024 (CN) 202430689100.4

(51) **LOC (15) CL.** **23-08**

(52) **U.S. Cl.**
USPC **D6/545**

(58) **Field of Classification Search**

USPC D6/515, 522, 542, 512, 518, 520, 524,
D6/543, 544, 545; 206/233, 389, 401,
206/77.1, 581, 225, 229; 211/45, 48,
211/88.04, 119.009, 85.12; 221/26, 208,
221/282, 283
CPC . A47F 1/085; A47F 7/163; A47F 7/16; B65H
75/141; B65D 83/267; B65D 23/003;
B65D 83/40; B65D 77/065; B65D
35/242; B65D 85/672; B65D 83/08;
B65D 83/05; B65D 85/04; B67D 3/0029;
B67D 1/07; A47K 5/1217; A47K 5/02;
A47K 10/025; A47K 10/10; A47K 10/04;
A47K 1/09; A47K 17/003; A61C 5/06
See application file for complete search history.

(56) **References Cited**

U.S. PATENT DOCUMENTS

D217,265 S * 4/1970 Roth D6/545
D267,136 S * 12/1982 Banks D6/545
D271,165 S * 11/1983 Lander D6/545

D285,397 S * 9/1986 Breger D6/545
D416,418 S * 11/1999 Kampe D6/545
D449,753 S * 10/2001 DeKoning D6/545
D457,026 S * 5/2002 Chen D6/545
D465,149 S * 11/2002 Bennett D9/691
D472,415 S * 4/2003 Song D6/528
D477,942 S * 8/2003 Luu D6/516
D602,291 S * 10/2009 Yang D6/545
D611,747 S * 3/2010 Kramer D6/545
D612,263 S * 3/2010 Miksovsky D9/652
D612,264 S * 3/2010 Miksovsky D9/652
D612,741 S * 3/2010 Miksovsky D9/652
D639,591 S * 6/2011 Wallace D6/545
D764,832 S * 8/2016 Douterloigne D6/545
D770,800 S * 11/2016 Agarwal D6/545
D809,845 S * 2/2018 Marchitello D6/545
D846,911 S * 4/2019 Zhadanov D6/545
D850,813 S * 6/2019 Zhadanov D6/545
D889,277 S * 7/2020 Perlman D9/689
D938,753 S * 12/2021 Perlman D6/544

(Continued)

Primary Examiner — Nathan M Johnston

(74) *Attorney, Agent, or Firm* — Birchwood IP

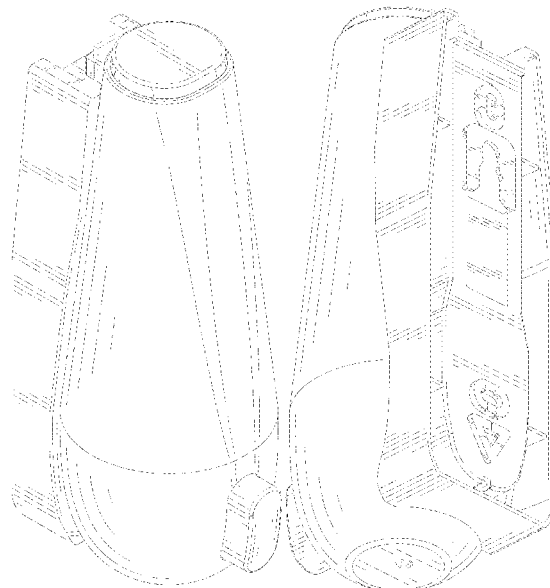
(57) **CLAIM**

The ornamental design for a soap dispenser, as shown and described.

DESCRIPTION

FIG. 1 is a front, left and top perspective view of a soap dispenser, showing my new design;
FIG. 2 is a rear, right and bottom perspective view thereof;
FIG. 3 is a front view thereof;
FIG. 4 is a rear view thereof;
FIG. 5 is a left side view thereof;
FIG. 6 is a right side view thereof;
FIG. 7 is a top plan view thereof; and,
FIG. 8 is a bottom plan view thereof.
The broken lines shown in the drawings illustrate portions of the soap dispenser that form no part of the claimed design.

1 Claim, 8 Drawing Sheets



(56)

References Cited

U.S. PATENT DOCUMENTS

D1,015,014 S	2/2024	Navin	
D1,030,353 S	6/2024	Wang	
2002/0005414 A1*	1/2002	DeKoning A47K 5/12 222/181.3
2011/0079603 A1*	4/2011	Gordon A47K 10/3818 221/92
2013/0043284 A1*	2/2013	Wegelin B65D 83/18 222/181.3

* cited by examiner

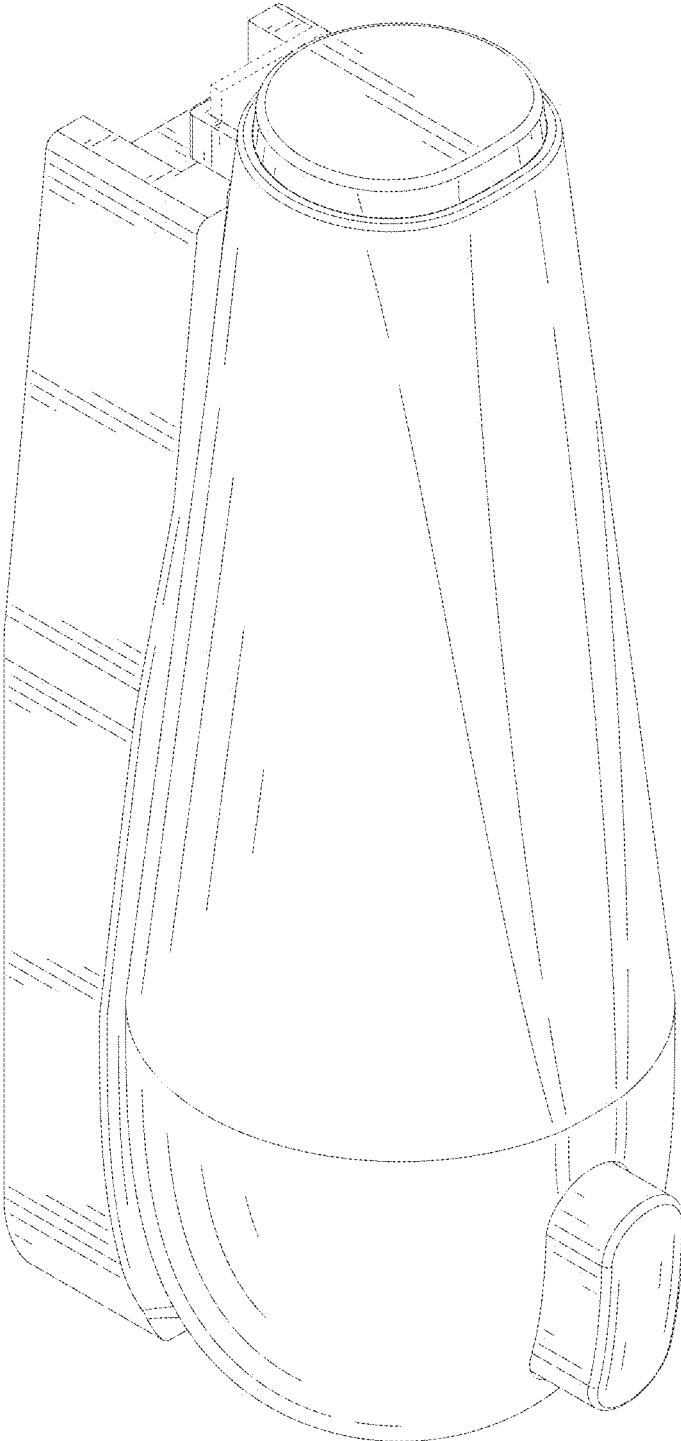


FIG. 1

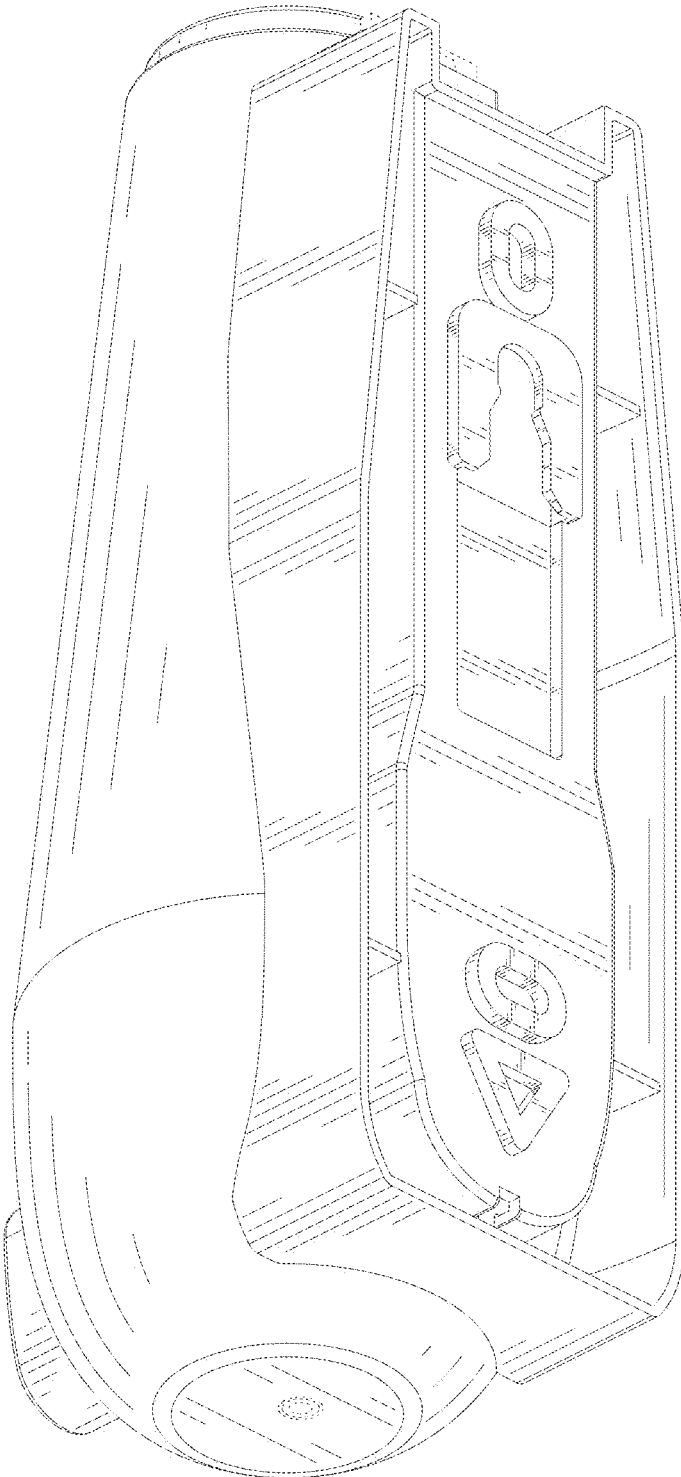


FIG. 2

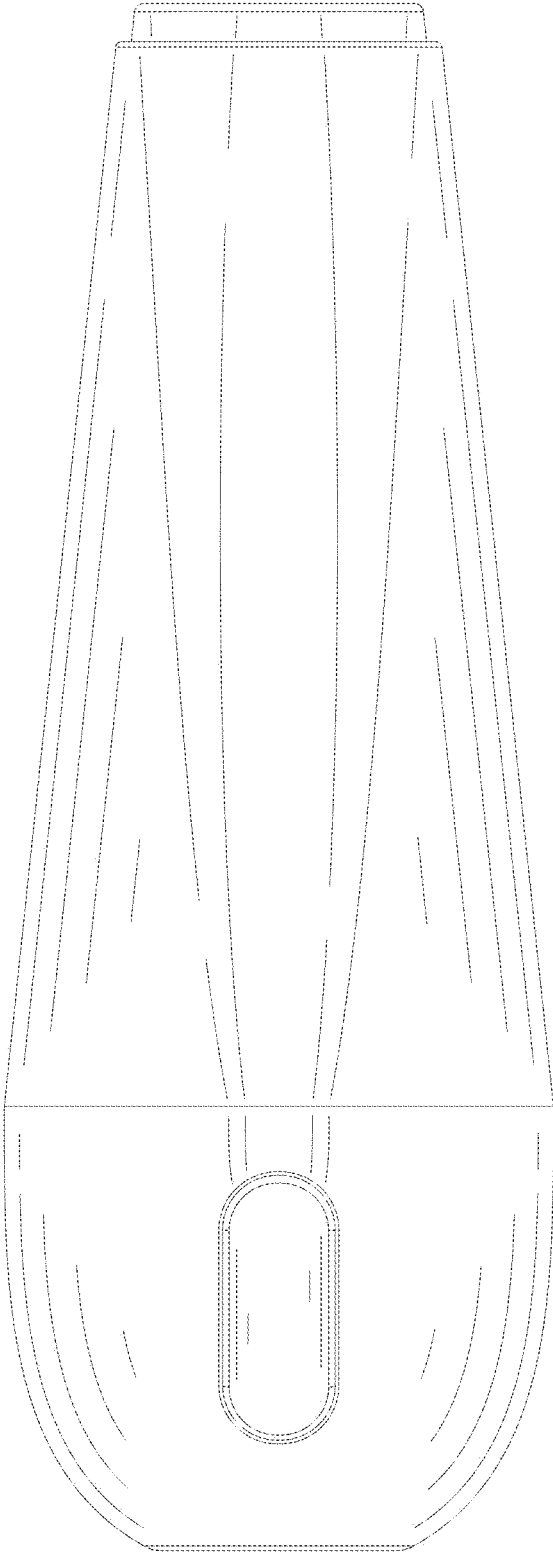


FIG. 3

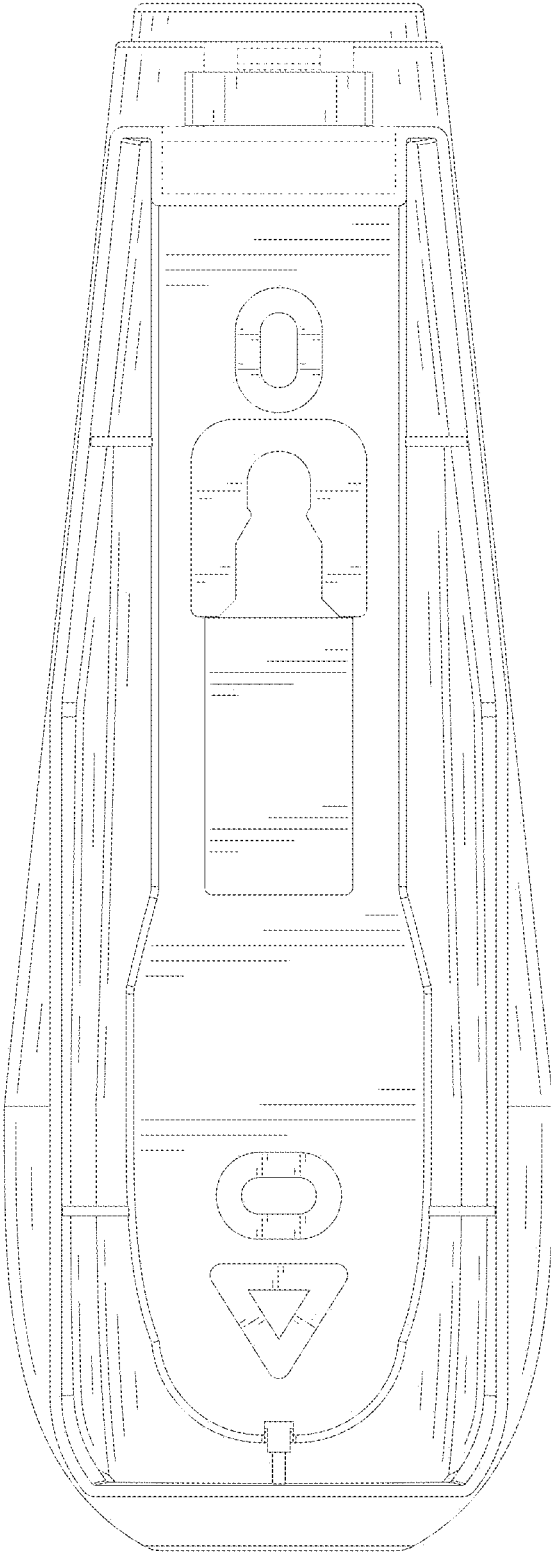


FIG. 4

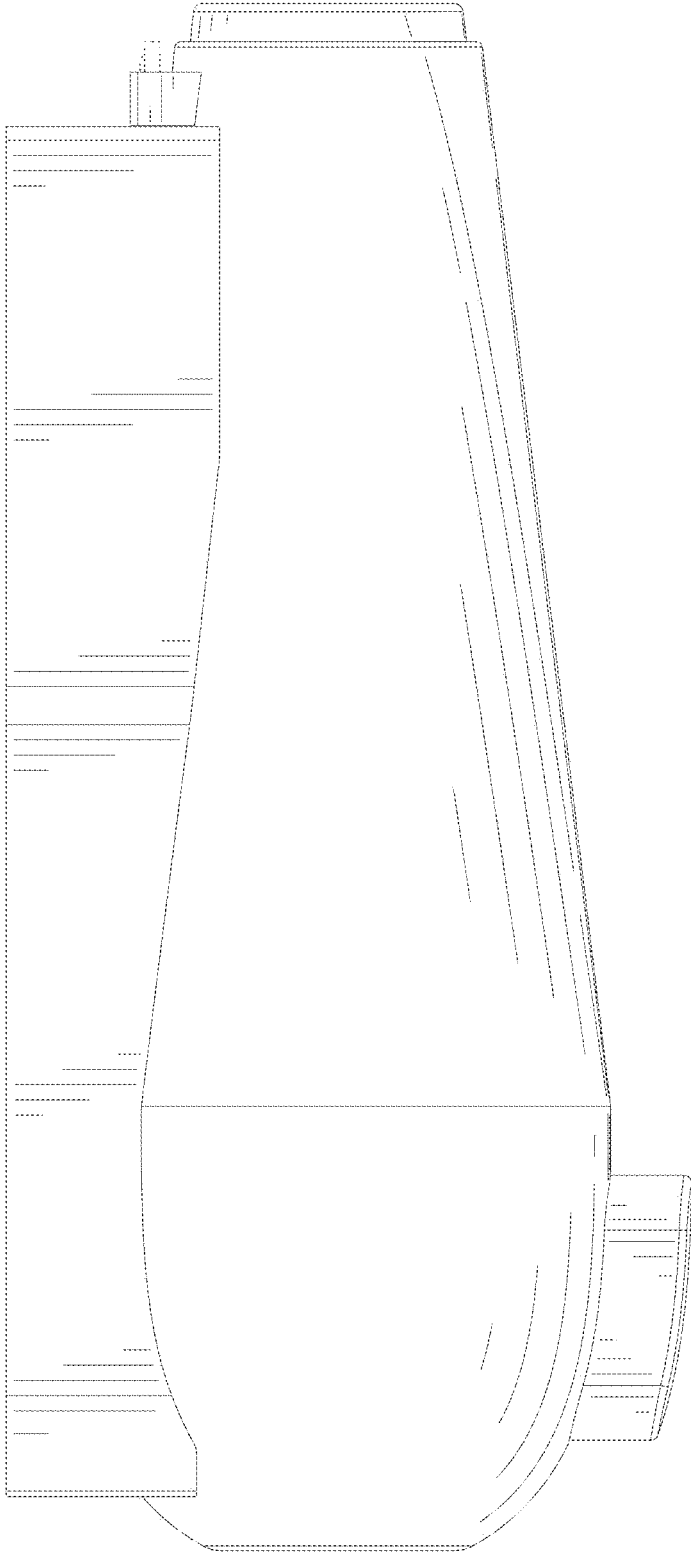


FIG. 5



FIG. 6

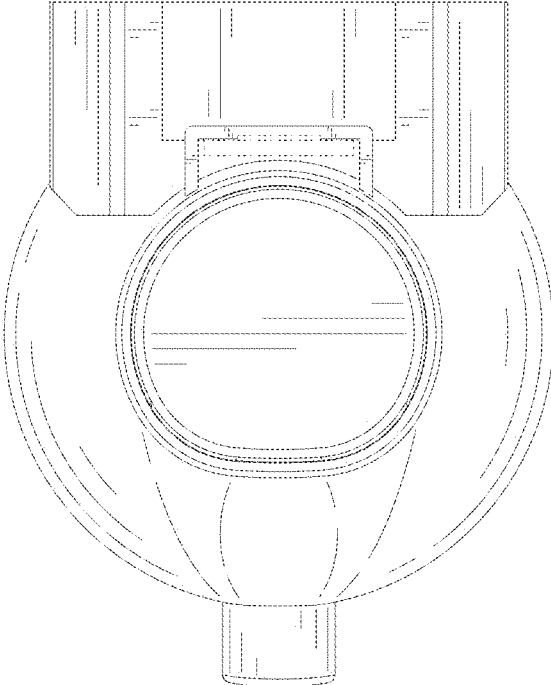


FIG. 7

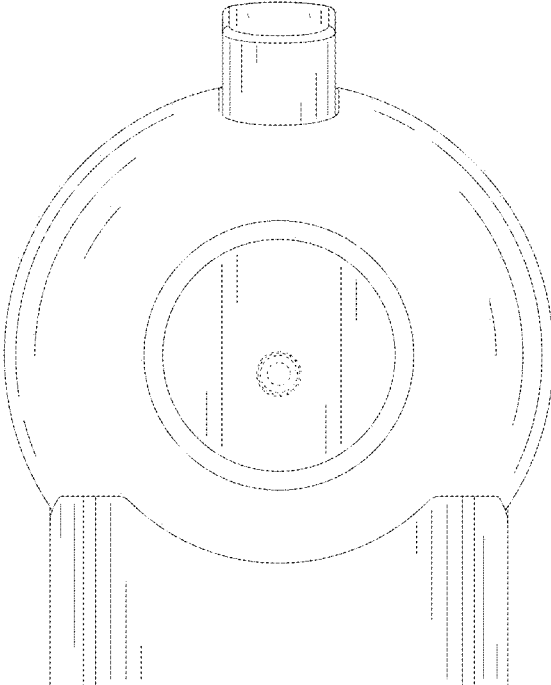


FIG. 8