



US00D615608S

(12) **United States Design Patent**
Moore

(10) **Patent No.:** **US D615,608 S**

(45) **Date of Patent:** **** May 11, 2010**

(54) **FIXED BLADE KNIFE**

Primary Examiner—Catherine R Oliver

(76) Inventor: **Dana A. Moore**, 25 - 157Th Pl. SE.,
Bothell, WA (US) 98012

(57) **CLAIM**

The ornamental design for a fixed blade knife, as shown and described.

(**) Term: **14 Years**

(21) Appl. No.: **29/343,999**

DESCRIPTION

(22) Filed: **Sep. 22, 2009**

FIG. 1 is a perspective view of a fixed blade knife showing my new design;

(51) **LOC (9) Cl.** **22-02**

FIG. 2 is a side elevation view thereof;

(52) **U.S. Cl.** **D22/118**

FIG. 3 is a top plan view thereof;

(58) **Field of Classification Search** D22/118;
D8/93-99, 107; D7/649, 401.2; 30/314,
30/340, 151

FIG. 4 is a bottom plan view thereof;

See application file for complete search history.

FIG. 5 is a side elevation view showing an alternative embodiment of the fixed blade knife, the only difference being the length. All other views of the design remain the same.

(56) **References Cited**

FIG. 6 is a rear elevation view showing the pommel-end thereof; and,

U.S. PATENT DOCUMENTS

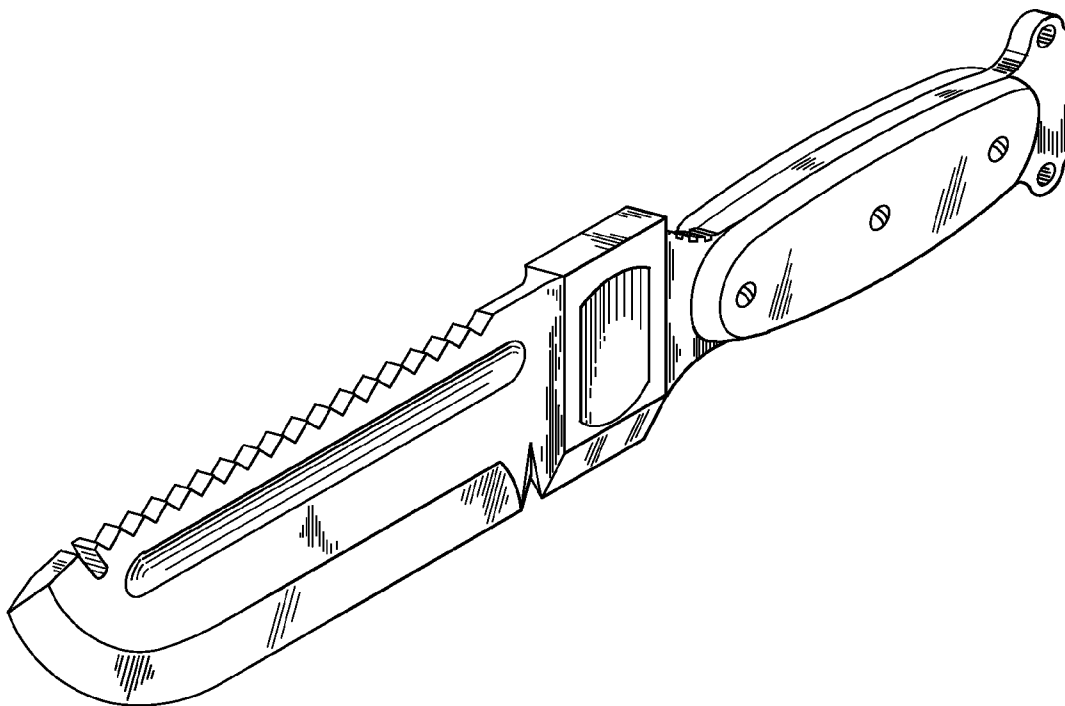
FIG. 7 is a front elevation view showing the blade-end of the fixed blade knife.

D152,727	S	*	2/1949	Peterson	D22/118
D383,519	S	*	9/1997	Lainhart	D22/118
D398,211	S	*	9/1998	Howard	D8/98
D464,551	S	*	10/2002	Glesser	D8/98
D572,793	S	*	7/2008	Buck	D22/118
D607,529	S	*	1/2010	Craffey	D22/118

Shading lines shown in the drawings are intended to represent the approximate three-dimensional contour of the design, and are not intended to indicate surface decoration.

* cited by examiner

1 Claim, 2 Drawing Sheets



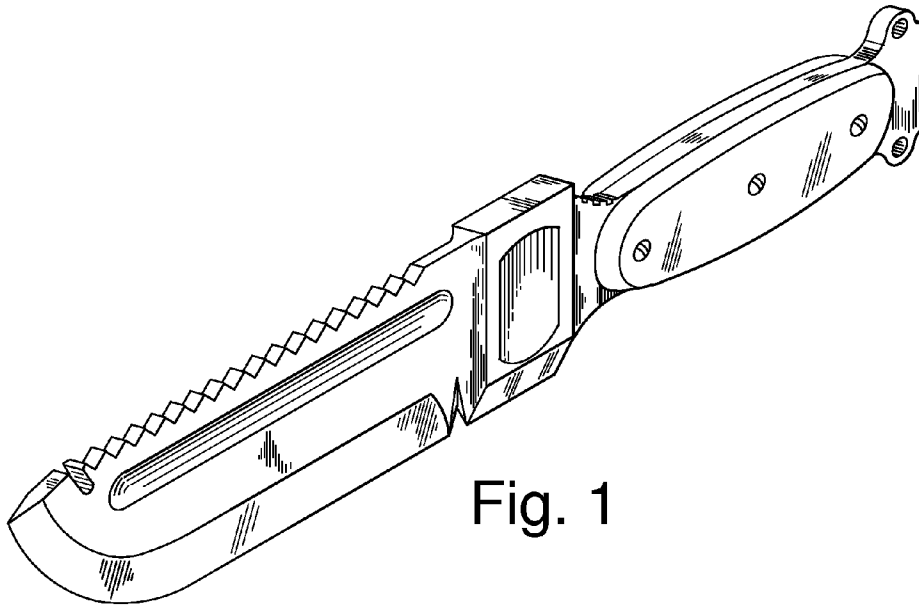


Fig. 1

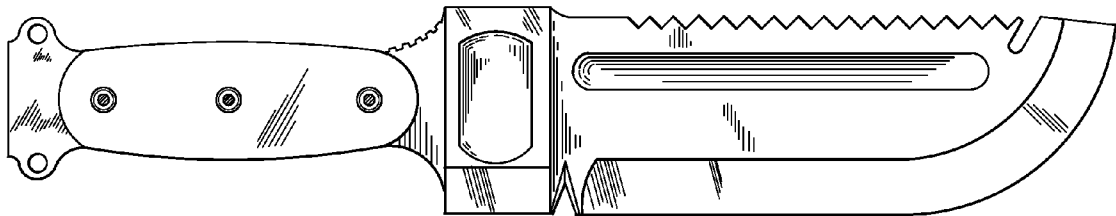


Fig. 2

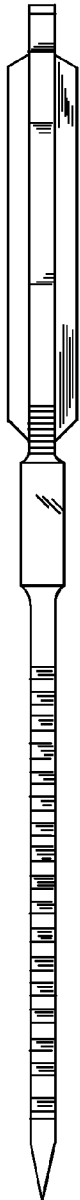


Fig. 3

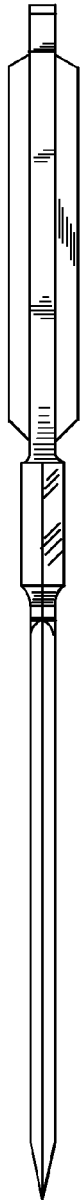


Fig. 4

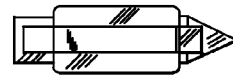


Fig. 6

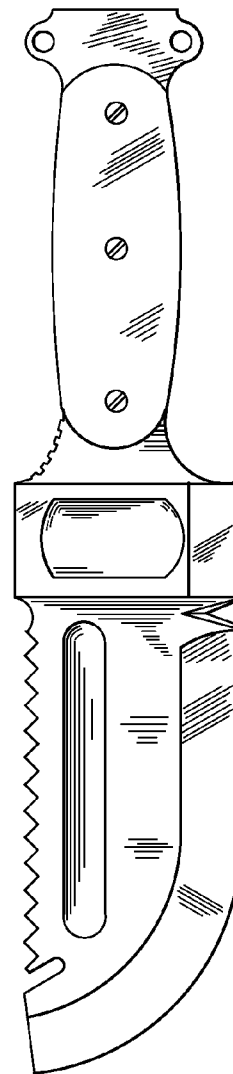


Fig. 5

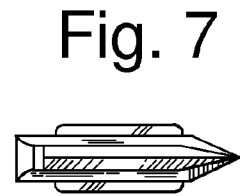


Fig. 7