

CORRECTED VERSION

(19) World Intellectual Property Organization International Bureau

(43) International Publication Date 24 November 2011 (24.11.2011)



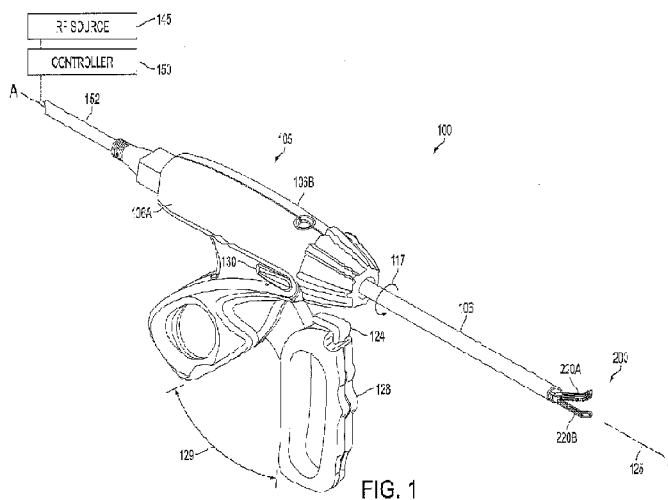
(10) International Publication Number WO 2011/146377 A8

- (51) International Patent Classification: A61B 18/14 (2006.01)
(21) International Application Number: PCT/US2011/036617
(22) International Filing Date: 16 May 2011 (16.05.2011)
(25) Filing Language: English
(26) Publication Language: English
(30) Priority Data: 12/781,243 17 May 2010 (17.05.2010) US
(71) Applicant (for all designated States except US): ETHICON ENDO-SURGERY, INC. [US/US]; 4545 Creek Road, Cincinnati, OH 45242 (US).
(72) Inventors; and
(75) Inventors/Applicants (for US only): WEIZMAN, Patrick, A. [US/US]; 6528 Michele Lane, Liberty Township, OH 45044 (US). ALDRIDGE, Jeffrey, L. [US/US]; 106 W. Concord Drive, Lebanon, OH 45036 (US). BANKS, Raymond, M. [US/US]; 22303 Regnart Road, Cupertino, CA 95014 (US). BECKMAN, Andrew, T. [US/US]; 676 Wilfert Drive, Cincinnati, OH 45245 (US). CUMMINGS, John, F. [US/US]; 23 Camargo Canyon Drive, Madeira, OH 45243 (US). DIETZ, Timothy, G. [US/US]; 2 Elm Ledge, Terrace Park, OH 45174 (US).

FALLER, Craig, N. [US/US]; 5960 E. Day Circle, Milford, OH 45150 (US). GIORDANO, James, R. [US/US]; 5647 Chestnutview Lane, Milford, OH 45150 (US). HARRIS, Jason, L. [US/US]; 3896 Top Flite Lane, Mason, OH 45050 (US). HUANG, Zhifan, F. [US/US]; 4378 Serpentine Way, Mason, OH 45040 (US). JOHNSON, Gregory, M. [US/US]; 907 Center Street, Milford, OH 45150 (US). KIMBALL, Cory, G. [US/US]; 6136 Lagrange Lane, Cincinnati, OH 45239 (US). MALAVIYA, Prasanna [IN/US]; 5860 Maxfli Lane, Mason, OH 45040 (US). MILLER, Matthew, C. [US/US]; 3524 Zumstein Avenue, Cincinnati, OH 45208 (US). MIREL, Al [US/US]; 2000 Brewster Avenue, Redwood City, CA 94062 (US). NORVELL, David, K. [US/US]; 570 Doverdale Drive, Monroe, OH 45050 (US). SCHALL, Christopher, J. [US/US]; 688 Whippoorwill Drive, Cincinnati, OH 45244 (US). SHELTON, Frederick, E., IV [US/US]; 245 East Main Street, Hillsboro, OH 45133 (US). STULEN, Foster, B. [US/US]; 6245 Bridgewater Court, Mason, OH 45040 (US). SWAYZE, Jeffrey, S. [US/US]; 7047 Birchley Drive, Hamilton, OH 45011 (US). WHITE, Bradley, E. [US/US]; 6759 Man-O-War Lane, Cincinnati, OH 45040 (US). WIDENHOUSE, Tamara [US/US]; 1005 Arabian Run Drive, Clarksville, OH 45113 (US). WITT, David, A. [US/US]; 1187 Chaucer Place, Maineville, OH 45039 (US). BERNATH, Steve, G. [US/US]; 275 Welburn Avenue, Unit E, Gilroy, California 95020 (US).

[Continued on next page]

(54) Title: SURGICAL INSTRUMENTS AND END EFFECTORS THEREFOR



(57) Abstract: Various forms of surgical instruments are disclosed. In various embodiments, an end effector having operable and closable jaws is attached to a distal end of an elongate shaft such that portions of the jaws are axially offset from the elongate shaft. Other jaw embodiments are coupled to an actuation arrangement that permits portions of the jaws to be moved out of axial alignment with the elongate shaft. Other jaw embodiments are configured to facilitate tissue dissection. Electrosurgical instruments are also disclosed. One embodiment employs a flexible electrode that is conformable to tissue.



WO 2011/146377 A8



(74) **Agents:** JOHNSON, Philip, S. et al.; JOHNSON & JOHNSON, One Johnson & Johnson Plaza, New Brunswick, NJ 08933 (US).

SM, TR), OAPI (BF, BJ, CF, CG, CI, CM, GA, GN, GQ, GW, ML, MR, NE, SN, TD, TG).

(81) **Designated States** (unless otherwise indicated, for every kind of national protection available): AE, AG, AL, AM, AO, AT, AU, AZ, BA, BB, BG, BH, BR, BW, BY, BZ, CA, CH, CL, CN, CO, CR, CU, CZ, DE, DK, DM, DO, DZ, EC, EE, EG, ES, FI, GB, GD, GE, GH, GM, GT, HN, HR, HU, ID, IL, IN, IS, JP, KE, KG, KM, KN, KP, KR, KZ, LA, LC, LK, LR, LS, LT, LU, LY, MA, MD, ME, MG, MK, MN, MW, MX, MY, MZ, NA, NG, NI, NO, NZ, OM, PE, PG, PH, PL, PT, RO, RS, RU, SC, SD, SE, SG, SK, SL, SM, ST, SV, SY, TH, TJ, TM, TN, TR, TT, TZ, UA, UG, US, UZ, VC, VN, ZA, ZM, ZW.

(84) **Designated States** (unless otherwise indicated, for every kind of regional protection available): ARIPO (BW, GH, GM, KE, LR, LS, MW, MZ, NA, SD, SL, SZ, TZ, UG, ZM, ZW), Eurasian (AM, AZ, BY, KG, KZ, MD, RU, TJ, TM), European (AL, AT, BE, BG, CH, CY, CZ, DE, DK, EE, ES, FI, FR, GB, GR, HR, HU, IE, IS, IT, LT, LU, LV, MC, MK, MT, NL, NO, PL, PT, RO, RS, SE, SI, SK,

Declarations under Rule 4.17:

- as to the identity of the inventor (Rule 4.17(i))
- as to applicant's entitlement to apply for and be granted a patent (Rule 4.17(ii))
- as to the applicant's entitlement to claim the priority of the earlier application (Rule 4.17(iii))

Published:

- with international search report (Art. 21(3))

(88) **Date of publication of the international search report:**
12 January 2012

(48) **Date of publication of this corrected version:**
20 December 2012

(15) **Information about Correction:**
see Notice of 20 December 2012