

(19) World Intellectual Property Organization
International Bureau



(43) International Publication Date
25 April 2002 (25.04.2002)

PCT

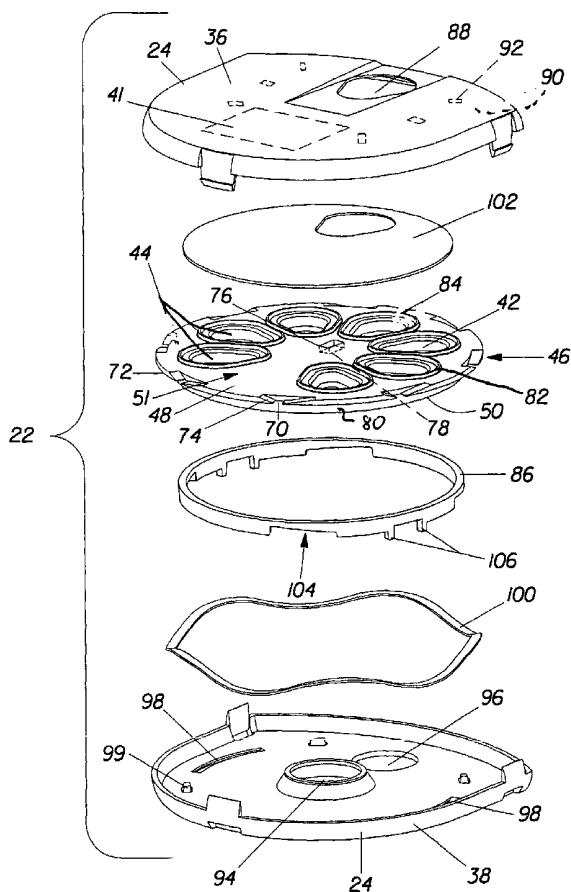
(10) International Publication Number
WO 02/32472 A1

- (51) International Patent Classification⁷: A61L 9/12, 9/03
- (21) International Application Number: PCT/US01/23504
- (22) International Filing Date: 26 July 2001 (26.07.2001)
- (25) Filing Language: English
- (26) Publication Language: English
- (30) Priority Data:

PCT/US00/20499	27 July 2000 (27.07.2000)	US
60/251,067	4 December 2000 (04.12.2000)	US
09/730,226	5 December 2000 (05.12.2000)	US
09/730,261	5 December 2000 (05.12.2000)	US
09/730,333	5 December 2000 (05.12.2000)	US
- (71) Applicant: **THE PROCTER & GAMBLE COMPANY**
[US/US]; One Procter & Gamble Plaza, Cincinnati, OH 45202 (US).
- (72) Inventors: **LAUDAMIEL-PELLET, Christophe**; 227 Waverly Place, #6B, New York, NY 10014 (US). **OWENS, Grover, David**; 1612 Oak Valley Court, Fairfield, OH 45014 (US). **RODRIGUEZ, Pedro, Antonio**; 215 Daniel Drive, Sanibel, FL 33957 (US). **KVIETOK, Frank, Andrej**; 1103 Richwood Avenue, Cincinnati, OH 45208 (US). **TRINH, Toan**; 8671 Creek Lane, Maineville, OH 45039 (US). **GOODALL, Kevin, George**; 1343 Duncan Ave., Cincinnati, OH 45208 (US). **BARTSCH, Eric, Richard**; 4947 Lord Alfred Court, Cincinnati, OH 45241 (US).
- (74) Agents: **REED, T., David** et al.; The Procter & Gamble Company, 5299 Spring Grove Avenue, Cincinnati, OH 45217-1087 (US).
- (81) Designated States (*national*): AE, AG, AL, AM, AT, AT (utility model), AU, AZ, BA, BB, BG, BR, BY, BZ, CA, CH, CN, CO, CR, CU, CZ, CZ (utility model), DE, DE

[Continued on next page]

(54) Title: MULTIPLE SCENT-CONTAINING ARTICLE OF MANUFACTURE WITH THEME



(57) Abstract: A multiple scent-containing article of manufacture for dispensing multiple scents into the environment wherein a number of the scents in the article are related to each other is disclosed. In one variation, the scents are selected from a group of different types of scents. In another variation, certain of the scents, or all of the scents, can be related to each other in that they share a common theme



WO 02/32472 A1



(utility model), DK, DK (utility model), DM, DZ, EC, EE, EE (utility model), ES, FI, FI (utility model), GB, GD, GE, GH, GM, HR, HU, ID, IL, IN, IS, JP, KE, KG, KP, KR, KZ, LC, LK, LR, LS, LT, LU, LV, MA, MD, MG, MK, MN, MW, MX, MZ, NO, NZ, PL, PT, RO, RU, SD, SE, SG, SI, SK, SK (utility model), SL, TJ, TM, TR, TT, TZ, UA, UG, UZ, VN, YU, ZA, ZW.

patent (AT, BE, CH, CY, DE, DK, ES, FI, FR, GB, GR, IE, IT, LU, MC, NL, PT, SE, TR), OAPI patent (BF, BJ, CF, CG, CI, CM, GA, GN, GQ, GW, ML, MR, NE, SN, TD, TG).

Published:

— with international search report

(84) Designated States (regional): ARIPO patent (GH, GM, KE, LS, MW, MZ, SD, SL, SZ, TZ, UG, ZW), Eurasian patent (AM, AZ, BY, KG, KZ, MD, RU, TJ, TM), European

For two-letter codes and other abbreviations, refer to the "Guidance Notes on Codes and Abbreviations" appearing at the beginning of each regular issue of the PCT Gazette.

**MULTIPLE SCENT-CONTAINING ARTICLE OF MANUFACTURE
WITH THEME**

This application claims the benefit of the filing dates of PCT application Serial No. US00/20499, filed July 27, 2000, provisional U.S. Patent Application Serial No. 60/251,067 filed December 4, 2000, and U.S. Patent Application Serial Nos. 09/730,226; 09/730,261; and 09/730,333, all filed December 5, 2000

FIELD OF THE INVENTION

The present invention relates to articles of manufacture, systems, and methods for dispensing multiple volatile materials, including but not limited to scents into the environment, and for providing articles of manufacture containing multiple volatile materials.

BACKGROUND OF THE INVENTION

Devices are currently available for dispensing volatile materials, such as a single scent into a room and in automobiles. Examples of such devices include GLADE PLUG INS ® plug in room fresheners manufactured by S.C. Johnson.

Devices capable of dispensing a single scent are also described in the patent literature. For example, U.S. Patents 4,549,250 and 4,714,984, issued to Spector describe a night light assembly which plugs into an electrical wall outlet. The assembly, when switched on, produces low-level illumination and at the same time exudes an aromatic vapor. The night light assemblies described in these patents also include a picture on the cover thereof of an object, such as a flower, possessing a characteristic odor, to which the fragrance of the aromatic vapor is thematically related.

Devices that are only capable of dispensing a single scent suffer from the drawback that, after a relatively brief period of time, people become used to the scent and do not tend to notice it as much as when the device is first activated. In other words, "fragrance fatigue" can occur whereby a person's olfactory organ becomes "saturated" with a particular smell or fragrance and the individual becomes insensitive to the presence of the particular fragrance.

Therefore, some efforts have been directed toward developing devices capable of emitting a single scent that address the problem of fragrance fatigue. For example, U.S. Patent 4,695,434 issued to Spector discloses an aroma-generating unit that is adapted to periodically discharge into the atmosphere bursts of aromatic vapor. The non-aromatic intervals between the bursts are said to have a duration sufficient to avoid desensitizing the olfactory response of those exposed to the unit. The unit makes use of replaceable

cartridges having a mat impregnated with an aroma-producing liquid. The unit has an electrical heater that heats air in a confined chamber, and the heat generated causes the air to expand to create a pressure differential forcing the hot air through the mat. The cartridge is provided with a seal in the form of a detachable metal or plastic clip that fits over the holes in the sheets covering the impregnated mats so that the cartridge, when stored, is sealed to prevent the loss of liquid. The user of the unit may be provided with a stack of sealed cartridges, each of which may have mats impregnated with a different aroma-producing liquid. The user, therefore, may select a fragrance appropriate to the room or to a given occasion.

Other efforts have been made to develop devices that are capable of emitting multiple scents. A number of patents have been directed to devices that are capable of emitting multiple scents.

U.S. Patent 4,629,604 issued to Spector, while not addressing the issue of fragrance fatigue, is directed to a multi-aroma cartridge player. The multi-aroma cartridge player uses a cartridge that comprises a planar array that forms a multi-section framework. Each section of the framework comprises a pad of absorbent material which is impregnated by a liquid fragrance that are said to differ from those of the other sections of the cartridge. The absorbent materials each have a central zone that is exposed. The aroma cartridge player comprises an individual electric heater for each frame assembly containing an individual scent. The selection of the aromas to be played may be effected manually, electronically, or it may be synchronized to follow the scenes of a video tape or movie film presentation.

U.S. Patent 5,805,768 entitled "Aroma Therapy Diffuser" issued to Schwartz, et al. and assigned to Bunny Moon Enterprises of Van Nuys, California describes an aroma therapy diffuser which offers the user the ability to pre-select a variety of different aromas to be introduced into an environment at pre-selected time intervals. The device includes a tray with a plurality of receptacles for receiving aromatic materials arranged along the periphery of the tray and a means for heating a selected receptacle and the material contained therein. The apparatus also includes a timer and a means for rotating the receptacles about the heating means to expose a selected receptacle to the environment for a pre-selected time period. The apparatus further includes a lid with an opening which exposes selected aromatic material so the aroma released by the heated aromatic material emanates into the environment. The remaining aromatic materials which are not exposed to the heating means are sealed to prevent evaporation.

The device described in the Schwartz, et al. patent, however, apparently contemplates that upon using the scents in the tray, the receptacles for the scents will be cleaned out, and new scents will be placed therein. This has the drawback that it is not convenient for a user to clean and replace the scents. Also, the device currently in the marketplace uses a two hour interval which allows the user's nose to become accustomed to the scent, allowing the experience to fade into the background. The device described in the Schwartz, et al. patent also provides a means for sealing the plurality of receptacles except for one receptacle so that the aromatic materials in the tray do not evaporate. However, the means for sealing the receptacle comprises a lid that remains in the device when the tray of scents is removed. This means is subject to the disadvantage that the aromatic material in the receptacles will not be sealed and will evaporate when the tray is removed. Thus, the tray cannot be removed and later used without the aromatic materials evaporating.

Another device capable of emitting multiple scents is described in PCT Publication WO 97/02076 and Canadian Patent Application 2,222,838, both entitled "Device and Process for Delivering Substances for Dispersal in the Air". The device comprises a flat disc through which pass a number of separate radially oriented channels that receive substances intended for dispersal. Each of the channels has one inlet aperture and one outlet aperture. The channels allow the passage of a gas stream introduced via the inlet aperture. The odoriferous substances, which may be partly the same or all different, are introduced into the channels, or the odoriferous substances are introduced in gas tight reservoirs which are placed in the channels wherein each reservoir releases the individual odoriferous substance only when it is to be dispersed.

The device and cartridge described in PCT Publication WO 97/02076, however, suffers from the drawback that each odoriferous substances are also subject to evaporation after initial use because after rupture of the apertures and/or reservoir by the first use of one specific channel will allow unrestricted and uncontrolled, respectively, passage of an air stream and uncontrolled flow of the odoriferous substance from the channel.

Another device capable of emitting multiple scents is described in PCT Publication WO 00/121143 entitled "Odor Dispensing Device and Odor Dispensing Cartridge". The odor dispensing device described in PCT Publication WO 00/121143 comprises a housing and a disc shaped dispensing cartridge adapted to move around its rotation axis and having a plurality of discrete radically arranged compartments. The cartridge has a body with compartments separated by walls. The compartments are tightly closed and opened by individual covers. The odor dispensing device is said to utilize any mechanical means, such as a fan to emit the odors. While the description of the odor dispensing device and cartridge in PCT Publication WO 00/121143 attempts to distinguish the technology therein as being more simple to manufacture than the technology in a prior publication, it is still a complicated arrangement. While PCT Publication WO 00/121143 describes the composition of the scent materials, it describes nothing about the type of scents that can be placed therein.

DigiScents, Inc. of Oakland, CA USA (www.digiscents.com) introduced a device known as the "iSmell" device at various trade shows. The device uses a cartridge that contains a relatively large number of different scents (e.g., a minimum of about 50 different scents). The device is operated by a personal computer. Software for operating the device can be accessed from DigiScents' internet site. The scents are not believed to be arranged to be emitted in any predetermined sequence. The various scents are activated by clicking on an icon on the computer screen. The device emits the scents in bursts which last a few seconds. The overall duration of the emission of a single scent (unless the icon is clicked again), is thus relatively short. The scents are emitted through a tube that resembles the microphones that are provided with some personal computers. The device is designed to emit scents for an individual's personal use, rather than to emit the scent throughout a room. With devices of this type, the scents can be detected as long as a person is generally in line with the scent emission tube, and within about 2-3 feet (about 0.5 - 1 m) from the scent emission tube.

There are drawbacks associated with the devices described above. None of the devices are believed to describe a system and method for dispensing multiple scents into the environment which enables the scent-containing component of the system to be taken out of the device, replaced with another scent-containing component, and later re-used or

replayed without either subjecting the scents to evaporation when the scent containing component is removed, or providing a complicated arrangement for closing the scents from the environment. None of the devices are believed to describe a system and method for dispensing multiple scents into the environment in which the multiple scents on a given scent containing article are related to each other so as to share a common scent theme or sensory experience. Improvements in the controls of multiple scent dispensers are also possible.

Thus, a need exists for a system for dispensing multiple scents that enables the scent-containing component of the system to be taken out of the device, replaced with another scent-containing component, and later re-used or replayed without either subjecting the scents to evaporation when the scent containing component is removed, or providing a complicated arrangement for closing the scents from the environment. A need also exists for a dispensing device for dispensing multiple scents sequentially into the environment that permits the scents in the device to be more conveniently replenished.

In addition, a need exists for a system for dispensing multiple scents that provides scents which are compatible with the system, and with each other, as opposed to a device which requires a user to purchase different perfume oils, which may or may not be compatible, and pour or otherwise place these perfume oils into a device.

A need also exists for a system for dispensing multiple scents which permits the user to control, and if desired vary, the time frequency or period for which each scent is emitted.

The present invention will become more readily apparent when considered in reference to the following description and when taken in conjunction with the accompanying drawings.

SUMMARY OF THE INVENTION

This invention relates to dispensing volatile materials into the environment. In several embodiments, this invention relates to systems or methods, and/or devices or

articles for dispensing multiple scents into the environment. Several non-limiting embodiments are described herein, as are several components of the system, each of which may constitute an invention in its own right or together with other components.

In one embodiment, the system for dispensing scents into the environment includes an apparatus, such as a dispensing device and an article of manufacture containing one or more scents or aromatic materials for use in conjunction with the dispensing device. In preferred versions of this embodiment, the scent-containing article of manufacture is able to be removed from the device, replaced with another scent-containing article of manufacture, and later re-used or replayed without either subjecting the scents to evaporation when the scent-containing article of manufacture is removed, and without providing a complicated arrangement for closing the scents from the environment.

The dispensing device can be any device that is capable of dispensing scents or aromatic materials that are either contained in or on the dispensing device, or contained in or on an article of manufacture that is intended to be used in conjunction with the dispensing device. The dispensing device may contain a component for activating the scents or aromatic materials from their "resting" state to an activated state. Such a component may include, but is not limited to a component that volatilizes or heats the scents or aromatic materials. The dispensing device may also contain a component, such as a fan, for diffusing or transporting the aromatic materials into the environment or atmosphere.

The dispensing device may have a number of additional features, which include, but are not limited to one or more of the following features, and other features. If a scent-containing article of manufacture is used in conjunction with the dispensing device, the dispensing device may have a mechanism for locking and unlocking the scent-containing article of manufacture. The dispensing device may have an emission program which is designed to minimize "fragrance fatigue" or "habituation". Improved controls can also be provided.

The scent-containing article of manufacture may be in any suitable form. The article of manufacture may have a configuration which is: disc-shaped, oval, parallelepiped-shaped, rectangular, cube-shaped, cuboid-shaped, cylindrical-shaped, pyramid-shaped, spherical-shaped, irregularly-shaped, or which has some other configuration. In one embodiment, the article of manufacture is a cartridge.

In one aspect of the invention, the article of manufacture is removable from the dispensing device and reusable after it has been removed from the dispensing device. In order to make the article of manufacture is reusable, the scents contained therein or thereon may be sealed when the article is removed from the dispensing device to minimize evaporation of the scents between uses of the scent-containing article. In one non-limiting embodiment, the article of manufacture may have a closed structure with a single opening therein for the emission of scents. In another aspect, the article may comprise multiple scent-containing receptacles. These multiple scent-containing receptacles may be closed with a single sealing mechanism that seals the receptacles when the article is not in use. In another aspect of the invention, the article comprises a locking mechanism which locks the article when it is removed from the device. In one aspect of such an embodiment, the locking mechanism may prevent access to the scents or aromatic materials when the article is outside the device. In this last aspect, the article may be completely free of openable elements such as doors and the like for accessing the aromatic materials to provide a tamper-proof article.

In another aspect of the invention, the article of manufacture may contain multiple scents that are related to each other. The scents can be related to each other in a manner which is not dependent on some other media, and/or are not designed to be used simultaneously with other media for the relationship between the scents. Any number of the scents can be related to each other in such a manner. For example, at least half of the scents in the article of manufacture can be related to each other, or all of the scents in the article of manufacture can be related to each other. In one variation of this aspect of the invention, the scents are related to each other and selected from a group of types of scents. In another variation of this aspect of the invention, certain of the scents, or all the scents, can be related to each other in that they share a common theme.

In any of the embodiments described herein, the article of manufacture may be modified so that it is a stand-alone unit which is capable of dispensing scents without a dispensing device.

The present invention may also include novel methods and kits. Such methods include, but are not limited to methods of: (a) providing multiple scent emitting articles each of which has scents therein or thereon that are related; (b) methods of replicating the scent experience of a particular place or environment by breaking down multiple scents associated with a particular place or environment into individual scent components and providing an article containing the individual scent components, wherein the article is

capable of emitting the individual scent components separately, e.g. sequentially; (c) methods of enhancing an environment comprising introducing multiple, complementary scents into the environment; (d) methods of providing multiple scent-containing articles to consumers and/or institutions which comprise providing one or more multiple scent-containing articles to the consumer and/or institution periodically (e.g., monthly, weekly, bi-weekly, every other month, quarterly, or annually); as well as (e) methods of providing scent-containing articles to consumers and/or institutions which provide the ability to "customize" the scents for the user. In the case of the latter method, the consumers and/or institutions can be provided with a selection of scents from which to choose in a number of different manners, including, but not limited to: at a retail store, over the telephone, in a catalog, on an order form, by computer, over the internet. The consumer's or institution's input can be obtained by any of the same types of means.

Preferably, the components of the system are in a package in association with a set of instructions that direct the consumer how to use, e.g., the diffuser and/or the cartridges correctly, to obtain the desirable olfactory, psychological and/or physiological effects. It is preferable that the apparatus is operated in accordance with the instructions for use, to ensure that the consumer knows what benefits can be achieved, and how best to obtain these benefits. As used herein, the phrase "in association with" means that the instructions are either printed directly on the components themselves and/or on their packages, or presented in a different manner including, but not limited to, a videotape, a brochure, print advertisement, electronic advertisement, and/or verbal communication, so as to communicate the set of instructions to a consumer of the article of manufacture. It is important that the instructions be simple and clear. The use of pictures and/or icons within the instructions may be desirable.

In any of the embodiments described herein, the article of manufacture may be configured partially, or completely for recycling.

Numerous other embodiments are also possible, including, but not limited to those described in the following detailed description.

BRIEF DESCRIPTION OF THE DRAWINGS

While the specification concludes with claims particularly pointing out and distinctly claiming the subject matter which is regarded as forming the present invention,

it is believed that the invention will be better understood from the following description taken in conjunction with the accompanying drawings, in which:

FIG. 1 is a perspective view of one embodiment of the device with the cartridge inserted and the cartridge door in a closed position.

FIG. 2 is a perspective view of the device with the cartridge door in an open position and a cartridge partially removed.

FIG. 3 is a perspective view of one embodiment of a cartridge.

FIG. 4 is a top plan view of the cartridge shown in FIG. 3.

FIG. 5 is a bottom plan view of the cartridge shown in FIG. 3.

FIG. 6 is a front end view of the cartridge shown in FIG. 3.

FIG. 7 is an exploded perspective view showing the components of the cartridge shown in FIG. 3.

FIG. 8 is a perspective view of one non-limiting embodiment of a receptacle, container, or liner for containing the perfumes.

FIG. 9 is a top plan view of one embodiment of an article from which receptacles, containers, or liners for containing the perfumes are made.

FIG. 10 is a fragmented side view of a three dimensional apertured film suitable for use as the cover portion of the receptacles which may be used to contain the perfumes.

FIG. 11 is a cross-sectional view side view of the scent emitting device shown in FIG. 1 which is taken along line 11-11 in FIG. 1.

FIG. 12 is a graph that shows one way in which the ratio of the period of time the device heater is on/off may be varied to adjust the intensity of the scent emitted.

FIG. 13 is a graph that shows one way in which the heater settings and durations at the different settings may be used to quickly bring the heater up to the desired temperature.

FIG. 14 is a graph that shows one way in which the fan setting can be varied with changes in the intensity setting.

FIG. 15 is a partially fragmented graph that shows one example of an emission cycle.

DETAILED DESCRIPTION OF THE INVENTION

I. Introduction (The Scent Dispensing System and Apparatus).

This invention relates to dispensing volatile materials into the environment. In several embodiments, this invention relates to systems or methods, and/or devices or articles for dispensing multiple scents into the environment. Several non-limiting embodiments are described herein, as are several components of the system, each of which may constitute an invention in its own right or together with other components. The scents or aromas can be supplied to various facilities, which include but are not limited to rooms, houses, hospitals, offices, theaters, buildings, and the like, or into various vehicles such as trains, subways, automobiles, airplanes and the like.

The term “volatile materials” as used herein, refers to a material that is vaporizable. The terms “volatile materials”, “aroma”, and “scents”, as used herein, include, but are not limited to pleasant or savory smells, and, thus, also encompass scents that function as insecticides, air fresheners, deodorants, aromacology, aromatherapy, insecticides, or any other odor that acts to condition, modify, or otherwise charge the atmosphere or to modify the environment. It should be understood, however, that perfumes, aromatic materials, and scents will often be comprised of one or more volatile materials (which may form a unique and/or discrete unit comprised of a collection of volatile materials).

In one embodiment, the system for dispensing scents into the environment comprises one or more components containing one or more scents or aromatic materials. In such an embodiment, the system preferably comprises a dispensing device, such as diffuser and one or more aromatic material-containing articles of manufacture, or "scent-containing articles of manufacture", which may be provided in the form of fragrance "cartridges". Each cartridge can provide a combination of different scents, preferably, each of the cartridges provides a collection of scents that conveys, e.g., a theme, and experience, a physiological effect, and/or a therapeutic effect.

It is known that the perceived intensity of a released fragrance decreases with time from the instant of fragrance emission and therefore repeated release of fragrance can be necessary to maintain a desired fragrance intensity. It is also known that "fragrance fatigue" can occur whereby a person's olfactory organ becomes "saturated" with a particular smell or fragrance and thus the individual becomes insensitive to the presence of the particular fragrance. The system and apparatus are especially useful for overcoming this fragrance fatigue that occurs with prior devices that are only capable of emitting a single scent, as well as addressing drawbacks with prior devices capable of emitted multiple scents. It should be understood, however, that the present invention is not limited to devices that are capable of emitting multiple scents, since various aspects of the invention are believed to be novel even when used on devices capable of emitting a single scent.

FIGS. 1 and 2 show one non-limiting embodiment of the system of the present invention for dispensing multiple scents into the environment. The system comprises an apparatus (or "diffuser", "dispensing device", or simply "device") 20 and a replaceable multiple scent-containing article of manufacture, such as cartridge 22. The drawings show one non-limiting example of the device and the multiple scent-containing article of manufacture. The control buttons for the device are described in greater detail below. The system of the present invention (that is, the device and cartridge) can be provided in many other suitable configurations.

II. The Scent-Containing Article of Manufacture.

FIGS. 3-6 show one non-limiting embodiment of the scent-containing article of manufacture in the form of cartridge 22 as it appears when it is removed from the device 20. The cartridge 22 can contain a single scent or multiple scents, which may be provided in the form of scent elements. The cartridge 22 has a longitudinal centerline L, and a transverse centerline T.

The cartridge 22 comprises a housing portion (or shell) 24, which has a top surface 26, a bottom surface 28, a front end 30, a rear end 32, and sides 34. The cartridge 22 can be of any suitable configuration. In other embodiments, the scent elements may be contained in or on an article that does not resemble the cartridge shown in the drawings. The term "cartridge" as used herein, is not limited to articles that are in the form of cases or cassettes. Such an article could be provided in any suitable configuration. For example, the scent elements could be provided in or on an article that resembles a disk, such as a compact disk (CD), rather than the device shown in the drawings. Examples of other suitable configurations for the scent-containing article of manufacture are set forth above in the Summary of the Invention section. In addition, it should be understood that whenever the term "cartridge" is used herein, this is done merely for the purpose of describing the structure shown in the drawings, and anything that is described relative to the cartridge will also be applicable to other types of articles of manufacture. It should also be understood that while this particular cartridge is described as containing scent materials, in other embodiments any of the articles of manufacture described herein can comprise any other types of volatile materials.

In the embodiment shown in the drawings, the cartridge 22 has a front end 30 with a configuration that resembles a circle. The sides 34 of the cartridge, however, are more rectilinear and substantially parallel to each other. The rear end 32 of the cartridge 22 shown in the drawings is convexly curved, but with a curvature that is less than that of the front end 30 of the cartridge 22. The shell 24 of the cartridge 22 comprises an upper portion (or upper half) 36, and a lower portion (or lower half) 38. The curvature of the rear end 32 of the cartridge 22 in this embodiment preferably matches the curvature of the outside walls 40 of the dispensing device 20.

The scent-containing article of manufacture, such as cartridge 22, is preferably removable from the device, and closed and sealed (that is, the scents are sealed) so that the scents are protected from evaporation when the cartridge is removed from the device. The scent-containing article of manufacture, such as cartridge 22, is preferably also reusable and replayable after it has been initially "played" and removed from the device, and is then inserted back into or onto the device.

The scent-containing article of manufacture, such as cartridge 22, can as shown in the drawings, comprise a closed structure comprising a cover which has at least one opening therein. Preferably, the at least one opening is configured for the emission of one of the scents at a given time. Thus, in one embodiment, the cover has a single opening therein for the emission of one of the scents. This is believed to provide the cartridge 22 with less likelihood of the possibility of evaporation of the scents contained therein than structures which contain multiple doors or covers, each of which are subject to being opened partially or completely, resulting in evaporation of the scents. It also provides the cartridge 22 with greater protection against tampering. Thus, in the embodiment shown in the drawings, the scents are enclosed when the scent-containing article of manufacture is removed from the device, and the scents are not accessible from outside the article, such as by the opening of doors covering the scents. In other words, there is a fixed cover that covers one or more of the scent receptacles. In the embodiment shown in the drawings, this fixed cover, outer shell 24 covers all the scent receptacles when the cartridge 22 is removed from the device. It is fixed in the sense that it is not moveable. Of course, in other embodiments, the scent-containing article of manufacture could be provided with one or more doors, or covers, if desired for some particular reason.

The scent-containing article of manufacture, such as cartridge 22, preferably also has one or more sealing mechanisms that seal the scent elements from evaporation. The sealing mechanisms can be internal of the outer shell, or external of the outer shell of the scent-containing article of manufacture. In the embodiment shown in the drawings, the scent-containing article of manufacture comprises a sealing mechanism that seals the scents that are not emitting scents when the article is inserted into or placed on the device and scents are being emitted from the scents in one of the receptacles. It also comprises a sealing mechanism that is capable of sealing all the scent receptacles when the article is removed from the device. One or both of these sealing mechanisms can have a sealed position and an opened position. Both these sealing mechanisms are of the internal type in that they reside inside the cartridge shell. The scent-containing receptacles are

preferably closed with a single sealing mechanism. This single sealing mechanism preferably has only one element thereof that is moved in order to seal all of the receptacles. This can be contrasted with articles that have multiple doors for access to each scent, which have numerous elements that must be closed in order to seal all the scents. This makes the scent-containing article of manufacture more simple and less expensive to manufacture, and may also improve reliability. Of course, in other embodiments, the scent-containing article of manufacture could be provided with a sealing mechanism that has multiple components, or undergoes movement of more than one element in order to perform its sealing function.

The scent-containing article of manufacture, such as cartridge 22, preferably also comprises a locking mechanism which is capable of locking and unlocking the article of manufacture. The locking mechanism preferably prevents access to the scent elements when the cartridge 22 is removed from the device. The locking mechanism preferably cooperates with the sealing mechanism. The sealing mechanism has a first sealed position and a second opened position. In the embodiment shown in the drawings, the scent-containing article of manufacture preferably cannot be removed from the device until the sealing mechanism is in its first sealed position. The scent-containing article of manufacture preferably also comprises a "blank" section which does not have any scents provided thereon or therein. The "blank" section provides a start and stop position for emitting scents from the scent-containing article of manufacture.

The scents in the cartridge 22 may have, and preferably do have, an overall theme or physiological effect. The term "theme", as used herein, generally refers to scents that are related solely to one or more of the other scents contained in or on the article of manufacture, rather than to scents that are designed to be emitted simultaneously with other media, such as film, music, theatre, art, etc., and relate to such other media. The theme may be based on the names of the scents (e.g., cinnamon) or the type of scents in the cartridge (e.g., fruit scents). The theme may also be based upon one or more of the names given to the individual scents. For example, in one non-limiting version of such an embodiment, the names of the scents in the cartridge could be the names of famous paintings, and the overall theme or title could be "Famous Paintings". The theme in such a case would not be based upon the scents (as, for example, in the case of a cartridge having a fruit theme based upon different types of fruit scents), but upon the name given to the scents. The theme may also be based on an overall impression, such as an image, emotion, place, mood, etc. The names of the scents may be descriptive (e.g., "Rose") or connotative of a mood (e.g., "Harmony"; "Relaxation"), or relate to images, words, or

places (e.g., a scent called “Sunflowers by Van Gogh”; “Parisien Bakery”). Thus, when a “theme” is referred to herein, the theme can be derived from, or supported by, or based on only the scents in the multiple scent-containing article of manufacture, or the names given to the individual scents, rather than events taking place simultaneously in some other media. However, if desired, the themes referred to herein can relate generally to other media, such as film, music, theatre, art, etc., without emitting scents simultaneously with events taking place in such other media so long as the scents are related to each other in the manner described herein. Further, certain aspects of the present invention are also believed to be novel when the scents are emitted simultaneously with the events taking place in some other media. Therefore, the present invention does not exclude the use of scents emitted simultaneously with other media where these aspects of the invention are concerned.

Examples of themes include, but are not limited to: floral themes; themes related to a pleasant location such as sylvan, flowery garden, forest, field, sea, or mountain themes; themes for relaxation; themes for stimulation; other aromacological themes providing physiological effects; themes relating to various times of the day (such as for waking up in the morning); scents from various countries, states, cities or geographical regions, such as scents of the Orient; and seasonal themes, such as seasons of the year, or holiday seasons, and the like; spiritual themes, e.g., relating to meditation, inspiration, and serenity, such as incense and sandalwood; themes relating to religion and/or worship, with scents such as frankincense, other incenses, myrrh and floral themes such as rose, dogwood, lily, and the like; aromatherapy themes; themes relating to ethnicity, themes relating to food (e.g., scents of a bakery, scents of a kitchen, scents of a donut shop, scents of a Thanksgiving dinner); themes relating to nature; themes relating to historical events (e.g., the Battle of Gettysburg, Marie Antoinette at Versailles, ancient Rome); themes relating to sporting and other events (e.g., the World Series); themes relating to memories (school days, Grandma’s kitchen, a 1950’s diner restaurant); themes relating to celebrations (e.g., New Year’s Eve); themes relating to literature; themes relating to artists; themes relating to celebrities/famous figures; themes relating to color; romantic themes (e.g., scents similar to those in candles); themes relating to a sound track (e.g., to generally remind the user of a movie, a video, or a song, without being choreographed to emit scents on the occurrence of an event, or particular scene in a movie or video); themes relating to artwork (e.g., famous paintings); and themes relating to, or for encouraging the sale of products (e.g., scents of coffees of the world emitted from a device placed in the coffee section of a store which sells coffee, or scents of fine fragrances and/or cosmetics for encouraging the sale of these products). Any number of

scents can share the common theme. In certain embodiments, at least half of the scents in the cartridge share a common theme. In other embodiments, all of the scents in the cartridge share a common theme.

In still other embodiments, a number of the scents contained in the cartridge are related to each other, such that they comprise a general type of scent (e.g., floral, etc.) even though the cartridge may not have an overall theme. Any number of the scents may be related in such a manner. In these embodiments, the scents may, for example, comprise any of scents of the various types described above in conjunction with the discussion of the themes.

The cartridge 22, or any portion thereof, such as the top surface 26 can have one or more illustrations, colors, icons, and/or writing 41 thereon for various purposes. The cartridge 22 may have an illustration which represents the "theme" of the scents in the cartridge, such as a forest, or floral theme. The cartridge 22 may also have a listing of the scents contained therein and the "track" on which they are found. Although the illustration, color, icon, and/or writing 41 is represented in the drawings by a rectangular area shown with dashed lines, it should be understood that the illustration, color, icon, and/or writing may cover all or any portion of the cartridge 22.

FIG. 7 shows the construction of this embodiment of the cartridge 22 in greater detail. The cartridge 22 contains multiple scent elements (or scents, aromatic materials, fragrances, or perfumes) 42 that are disposed on (and/or preferably integrated into) a multiple scent-containing component. Preferably, the multiple scent elements are disposed on or in the multiple scent-containing component to form an integral structure. The multiple scent-containing component can be provided in any suitable configuration, and may have any suitable shape, including, but not limited to any of the shapes described above in conjunction with the description of the scent-containing article of manufacture. In the embodiment shown in the drawings, the multiple scent-containing component is a circular rotatable disk 46, and the scent elements are disposed in receptacles or holders, such as depressions, reservoirs, or pockets 44 formed in the rotatable disk 46.

This disk 46 is contained inside the shell of the cartridge 24 between the upper portion 36 and lower portion 38 thereof. The disk has a top surface 48 and a bottom

surface 50. The top surface 48 of the disk has the pockets 44 formed therein. Any suitable number of pockets 44 can be provided, and the pockets 44 can be in any suitable shape. A non-limiting example of a range for the number of pockets 44 (and, thus, the number of scents contained in the cartridge) is between two and twenty, or more. In some embodiments, it may be desirable for there to be less than or equal to twenty, or less than or equal to ten pockets (or any number of pockets less than twenty). In the embodiment shown in the drawings, there are seven pockets 44, and a blank space 51 between two of the pockets 44 for when the cartridge 22 is not intended to emit scents. Some non-limiting examples of suitable shapes for the pockets 44 include: rectangular, triangular, trapezoidal, tear-drop shaped, or pear shaped. In the embodiment shown in the drawings, the pockets 44 are pear shaped.

The pockets 44 for the scents in the embodiment shown in the drawings, provide one opening, a top opening, for contact with and emission into the air flowing over the top opening. This is in contrast to structures in which the airstream into which the scents are emitted passes through the scent-containing compartments. Of course, other embodiments could be provided in which the airstream into which the scents are emitted passes through the receptacles. Other embodiments can also be provided where the opening for emission of the scents is located somewhere other than on the top of the pockets 44.

The pockets 44 for the scents can be of any suitable size. In one non-limiting embodiment, the pockets 44 have a length (parallel to the longitudinal centerline L) that is less than or equal to about 1.25 inches (about 3 cm) and a width (parallel to the transverse centerline T) that is less than or equal to about 2 cm.

The scent elements can be provided in any suitable form. In some embodiments, the scents are provided by scent elements comprising perfume, such as perfume oils, that are incorporated onto or into a suitable carrier. The carriers can be provided in the following non-limiting forms: a solid, a liquid, a gel, beads, encapsulates, wicks, a carrier material, such as a porous material impregnated with or containing the scent, and combinations thereof. Preferably, the carrier is in the form of a gel which together with the perfume, forms a gel composition. Gels are preferred because they are less likely that

liquids to separate into distinct physical phases when heated. Two non-limiting examples of gels that can be used are hydroxypropyl cellulose and fumed silica.

The perfumes are formulated into a gel composition to minimize the partitioning effect that occurs when a perfume is heated. The amounts of perfume and gel in the gel composition can vary depending on the particular perfume and the gel. In certain non-limiting embodiments, the gel composition is about 90% perfume and about 10% hydroxypropyl cellulose or about 93% perfume and about 7% fumed silica, although other ratios are clearly contemplated. There are a variety of hydroxypropyl cellulose/silica ratios that may be used in combination in the gel composition as well as other appropriate gelling agents.

The scent elements can comprise any suitable perfume. The intensity of the perfume can be evaluated, and the perfume can be diluted if it is found to be too strong. If desired, the perfume can be diluted with solvents such as dipropylene glycol, triethyl citrate, or other appropriate solvents at varying levels. One non-limiting example of a range within which the perfumes can be diluted is that the perfumes can be diluted to between 0 (i.e., original undiluted perfume concentration) and 50%, by weight.

Preferably, the scent-containing articles of manufacture provide a variety of perfumes with intensities that fall into similar intensity ranges. In other words, in one optional but preferable aspect of the invention, the gel compositions are "normalized" so that there is an equivalent intensity of scent experience for each gel in the article of manufacture. In such embodiments, the gels can also be "normalized" so that there is the ability to adjust the scent intensity at approximately equal levels in the different gels throughout use of the scent-containing article. This will ensure that the intensity of one or more of the scents will not be significantly higher than that of other scents when the intensity control is adjusted.

The gels can be normalized as follows. The gels are formulated with perfumes that have been evaluated for intensity to minimize significant variations in the scent experience across gels. The gel compositions are evaluated against the other gel compositions in the same article by expert sensory graders for intensity. For example,

the expert sensory graders can evaluate the intensity of the scent or perfume at a distance of two meters from the device.

The following grading scale is used :

- 5 = extremely intense
- 4 = very intense
- 3 = moderately intense
- 2 = weakly intense
- 1 = very weak intensity but still perceptible
- 0 = not perceptible

If a fragrance falls in the same range of intensity (+/- 1 grade difference) as the other fragrances of that particular series it is considered to be normalized.

To further ensure this normalization, the gel compositions can be heated for a set period of time and evaluated against the other gel compositions in the same manner. This procedure will ensure that the user will experience the same level of scent from each of the gel compositions in a given scent-containing article of manufacture.

The scent elements, e.g., in the form of a gel composition, 42 can be placed directly into the pockets 44 of the disk 46, or into some other receptacle, container, or liner, and this other receptacle, container, or liner with the scent element therein, can be placed into the pockets 44.

If the scent element 42 is placed into some other receptacle, container, or liner, such a receptacle, container, or liner can have any suitable configuration, and be comprised of any suitable material. FIG. 8 shows one non-limiting embodiment of a receptacle, container, or liner 52 for containing the scent elements. The receptacles, containers, or liners can be of any suitable size. In one non-limiting embodiment, the receptacles, containers, or liners are pear-shaped and have a length that is less than about 1.25 inches (about 3 cm) and a width that is less than about 2 cm.

FIG. 9 shows one embodiment of an article from which receptacles, containers, or liners 52 for containing the scent elements 42 are made. The article shown in FIG. 9 comprises multiple receptacles 52 for containing the scent elements. The multiple receptacles 52 can be joined together in any suitable manner (partially, or completely)

during manufacture. In the embodiment shown in FIG. 9, the multiple receptacles 52 are joined together in the form of a continuous sheet or strip 54. The continuous sheet or strip 54 is later cut into individual receptacles 52.

The continuous sheet 54 comprises a liner portion 56 and a cover portion or membrane 58. The liner portion 56 in this embodiment, comprises a sheet or strip having a plurality of depressions 60 therein which form the bottoms of the receptacles 52 for containing the scent elements 42. While the receptacles 52 can be of any suitable configuration, in this embodiment, the receptacles 52 have the same configuration as the pockets 44 in the disk 46. The receptacles 52 are slightly smaller than the pockets 44 in the disk 46 so that they will be able to fit into the pockets 44.

The sheet of receptacles 54 (and, thus, the individual receptacles) can be made from any suitable material, or materials. In one embodiment, the liner portion 56 of the sheet of receptacles 54 is comprised of low density polyethylene (LDPE). The material for the cover portion 58 is preferably selected so that it has minimal impact on perfume emission when the perfume is heated. In one embodiment shown in FIG. 10, the cover portion 58 is comprised of a three-dimensional apertured film that has a plurality of apertures 62 therein that are defined by tapered capillaries 64. The capillaries 64 have a wider portion or base opening 66 and a narrower portion or apex opening 68. The cover portion 58 is preferably oriented so that the narrower portion 68 of the capillaries 64 faces the scent elements so that the vapor from the perfume in the scent elements will readily pass through the cover portion 58, but the perfume gel or liquid will not be inclined to pass through (or leak through) the apertures 62 therein. One example of a material having such tapered capillaries is described in U.S. Patent 3,929,135 issued to Thompson on December 30, 1975. In one embodiment, the cover portion 58 is also comprised of low density polyethylene. Preferably, the cover portion 58 has a porosity of about 540 ft³/min./ft², and an open area of about 15%, or more.

Placing the scent elements in such receptacles 52 has several advantages. It prevents the perfume gel from contaminating the containment seal, especially if the gel is stored under or subjected to hot conditions which causes phase separation of the gel, and the cartridge 22 or device 20 is inverted, such as during shipping. The receptacles 52 also

provide another barrier to prevent the user from contacting the scent elements, such as the gel composition, during use of the device. The cover portion 58 preferably will have minimal effect on the perfume emission. Perfume emission through the cover portion preferably will not cause any partitioning of the perfume thus ensuring scent quality throughout the use of the cartridge 22.

Forming a sheet of receptacles 54 may also simplify and increase the speed of manufacturing in that rather than filling each of the pockets 44 of the rotatable disk 46 with the different scents, a large number of receptacles can be made with the same scent therein in sheet form. This increases the speed with which the individual scent dosages can be made, and reduces the possibility of contaminating the scent pockets 44 with scents which are not supposed to be contained therein. A sheet of receptacles 54 is preferably formed for each scent that will go into the cartridges 22. After the sheets of receptacles 54 are formed, they can be cut to form the individual receptacles 52, and these individual receptacles 52 can simply be dropped into the pockets 44 of the cartridges 22.

The construction of the various components and portions of the cartridge 22 will now be examined in greater detail with reference to FIG. 7. In this regard, however, it should be understood that the cartridge 22 shown in FIG. 7 is but one possible embodiment of the scent-containing article of manufacture. Other types of scent-containing articles can be provided which may not be required to have some or all of the features of the cartridge 22 shown in FIG. 7.

The cartridge 22 shown in FIG. 7 comprises several basic components. These include, from top to bottom: the upper part of the cartridge shell 36; a sealing or barrier material 102 that forms a seal over the pockets 44; the rotatable disk 46; a locking ring 86 for locking and unlocking the cartridge 22; a wave spring 100; and the lower part of the cartridge shell 38. The rotatable disk 46 will be discussed first since, in this embodiment, the other components of the cartridge 22 are designed to cooperate with various features of the disk 46.

In the embodiment shown in FIG. 7, the top surface 48 of the disk 46 preferably has a plurality of slots 70 in the perimeter 72 thereof. The slots 70 are located between the scent pockets 44. On either side of these slots 70, are ramps 74 that gradually increase in depth as the slots 70 are approached. The disk 46 has a small opening 76 slightly offset from the center of the disk 46. This opening 76 that results from the formation of a tooth 78 on the bottom surface 50 of the disk 46. The tooth 78 is used to rotate the disk 46. The small opening 76 is optional, and is merely a result of one process of forming the tooth 78. The bottom surface 50 of the disk 46 preferably comprises a circular rim 80 that is disposed outside of the outer ends 82 of the scent pockets 44. The top surface 48 of the disk 46 comprises gaskets 84 around each of the scent pockets 44 for assisting in the formation of a seal when the scent pockets 44 are not open for use. In the particular embodiment shown, sufficient space is provided between the rim 80 and the outer ends 82 of the scent pockets so permit the locking ring 86 underneath the disk 46 to fit between the rim 80 and the projections which form the outer ends 82 of the scent pockets on the bottom surface 50 of the disk 46. In other embodiments, the locking ring 86 can fit on the outside of the rim 80.

The cartridge 22 has an opening 88 in its top surface 26 (that is, in the upper portion 36 of the cartridge shell) to allow one scent pocket 44 to be rotated into alignment with it and thereby be exposed to allow emission of perfume. The inside surface 90 of the upper portion 36 of the cartridge shell may also have several raised portions (or cams) 92 thereon to reduce wear on the barrier material 102 when the disk 46 rotates. In the particular embodiment shown, there are eight of these raised portions 92 (only six of which are shown for clarity of illustration). The raised portions 92 are disposed radially around the inside surface 90 of the upper portion 36 of the cartridge shell, and are spaced apart so that they will engage with slots 70 in the perimeter 72 of the disk 46 which are located between the scent pockets 44.

The cartridge 22 has four openings in its bottom surface 28 (that is, in the lower portion 38 of the cartridge shell). The openings in the lower portion 38 of the cartridge shell include: an opening in the center 94 to allow the device to turn the rotatable disk 46 inside the cartridge 22; an opening 96 to allow heat from a heating element in the diffuser 20 to transfer to the scent pocket 44 that is exposed for emission; and two slot shaped

openings 98 to allow the diffuser 20 to activate and deactivate a locking system inside the cartridge 22 for sealing the scent elements when the cartridge 22 is not in use. The inside surface of the lower portion 38 of the cartridge shell also comprises several projections 99 that interact with ramps 104 on the bottom surface of the locking ring 86.

The cartridge 22 may also contain a resilient element, such as a spring 100 inside the shell 24 that forces the rotatable disk 46 upwards against the barrier material 102 inside the upper portion 36 of the cartridge shell. The contact of the upper surface 48 of the rotatable disk 46 with the barrier material 102 forms a seal that prevents perfume from escaping. The spring 100 can be any suitable type of spring. The spring 100 can be in any suitable location provided it applies a force to create the desired seal. In the embodiment shown, the spring 100 comprises a wave spring that fits outside both the locking ring 86 and the rim 80 on the bottom surface 50 of the disk 46.

The locking ring 86 is located below the rotatable disk 46. The locking ring 86 is a ring with several ramped cutouts 104 therein, and two pairs of ring projections 106. The pairs of ring projections 106 lie on opposing sides of the locking ring 86. The locking ring 86 is rotated by the diffuser 20 to “lock” or “unlock” the cartridge 22 as will be more fully described below. When the locking ring 86 is rotated into the locked position, the rotatable disk 46 is forced against the barrier material 102 with sufficient force to achieve a high quality long-term seal when the cartridge 22 is removed from the diffuser 20. When the locking ring 86 is rotated to the unlocked position, the ramped cutouts 104 on the ring 86 disengage the projections 99 on the inside surface of the lower cartridge shell 38 and allow the rotatable disk 46 to be rotated to expose the scent elements 42 stored in the pockets 44 of the disk 46.

Additional/Alternative Embodiments

Numerous other embodiments of the scent-containing article of manufacture, e.g., cartridge 22, are possible. It should be understood that the following examples of additional and alternative embodiments is not meant to be exhaustive, and that other embodiments are also possible.

The article of manufacture may be “transportable” so that it can be used in conjunction with devices located in different types of enclosed spaces, such as in conjunction with devices located in different rooms, or in conjunction with devices located in a building and in a vehicle, to provide a few non-limiting examples.

In other embodiments, for example, the scent elements need not be heated, and can merely be exposed to the atmosphere, with or without the aid of a fan, to emit the scents.

The article of manufacture can have at least one of its receptacles configured so that it comprises a “staging area” in which a portion of the aromatic material is heated while the remainder of the aromatic material is not directly subject to heat. This can be done to attempt to preserve the life of the aromatic materials, or for other purposes.

In these or other embodiments, the seal may be formed with the aid of an element other than a spring. Any suitable resilient element or material may be used in place of the spring. Non-limiting examples of other materials that could be used include a piece of foam and a plastic cantilever structure. In other embodiments, the spring or resilient element can be eliminated altogether, and the locking ring 86 can bias the disk 46 into sealing contact with the seal 102.

In still other embodiments, the article, such as the cartridge can either be a “stand alone” device, or be modified to be, a “stand alone” device that does not require a separate device to emit the scents from the cartridge. For example, instead of using the cartridge in conjunction with a device with all the controls, the cartridge could be modified so that the user could manually select the scent to be emitted. In these or other embodiments, the cartridge could be adapted to plug into a standard electrical wall outlet. Such a cartridge (or any of the devices described herein, or more compact or simplified versions of the same) can be adapted to plug into an electrical wall outlet and to be supported on a wall by said plug. Such a plug in cartridge could electrically heat the gels and/or operate in a similar fashion to a plug in appliance timer and periodically change the scent being emitted.

In these or other embodiments, the article of manufacture, such as the cartridge can be altered so that it is re-usable, refillable, disposable or recyclable in many different manners. The article of manufacture can have one or more of these properties

(re-usability, refillability, disposability, and be recycleable). The cartridges may be utilized in an environmentally friendly manner. If desired, in any of these embodiments, the design of the article of manufacture (such as the cartridge) may be modified such as by providing a hinge between the upper and lower parts of an outer housing, such as the shell, so that both portions of the housing remain attached, and open like a clam shell, in order to facilitate such uses of the cartridge. Of course, such a clam shell feature is not limited to the cartridge design shown in the drawings, and can be provided on any other articles that are receptive to, or lend themselves to such a feature.

In one set of embodiments, the article of manufacture, such as the cartridge can be reusable or replayable, and then once the scents in the cartridge are completely used, the cartridge can be disposed of, recycled in a municipal waste system, or returned to the manufacturer for recycling.

In another set of embodiments, a portion of the article of manufacture, such as the cartridge can be recycled. This may require the user to open and remove a portion of the cartridge. For example, the cartridge can have a portion, such as a shell or an outer housing, that is opened, and the scent-containing element, such as the rotatable disk, can be removed from the outer housing, and the two portions of the cartridge can be dealt with separately. For instance, the user can recycle the outer housing and dispose of the scent-containing element.

In another variation, the article of manufacture, such as the cartridge can be refillable. In such an embodiment, a portion that goes into the cartridge, such as the rotatable disk, can be provided in a sealed form. For instance, the cartridge can be opened and the rotatable disk removed as described above and a new rotatable disk can be placed into the outer housing. In such a variation, the cartridge and/or the device can be provided with a mechanism for breaking the seal on the scent-containing component, such as the rotatable disk, when it is inserted into the device.

In another set of embodiments, the device into which the scent-containing article is inserted can provide the sealing mechanism, and the scent-containing article can be disposed of after it is used by removing the cartridge from the device.

The scent-containing article of manufactures, such as the cartridges can also be "customized" so that a purchaser of the cartridges can select one or more scents for inclusion in the cartridge.

Thus, in another aspect, the present invention can provide a method of providing a scent-containing article, such as a cartridge to a consumer. The consumer can be an individual consumer and/or a commercial or industrial consumer. The method can comprise: providing a selection of scents to the consumer; obtaining input from the consumer as to the consumer's selection of one or more scents; and providing a scent-containing article, such as a cartridge to the consumer. The method can be carried out in numerous different ways. The method can be carried out at the wholesale level, at the retail level, or at the consumer level.

In these or other embodiments, the scent-containing articles, such as the cartridges can be customized at a store, or at a kiosk, or machine that provides or dispenses scent-containing articles.

In these or other embodiments, the consumer can be provided with a selection of scents through the use of a computer, scratch and sniff samples, or the like. The individual scent receptacles provide the flexibility to supply cartridges in all of these manners without the need to be concerned about contamination of the scent receptacles with scents that are not meant for the scent receptacles.

In any of the embodiments described herein, after the consumer chooses the scents and the sequence of scents, a label listing the scent sequence the customer has chosen can be generated, such as by the printer on a personal computer. The printer can also be programmed to print other information on the label, such as personalized information, which includes, but is not limited to: the name of the buyer, the occasion for the purchase (anniversary, gift, tourist souvenir, etc.) as well as the name of the receiver (if this is a gift) and the occasion. This can be a gift or promotion means for many commercial and/or industrial institutions, such as real estate agents' offices, insurance agents' offices, banks, supermarkets, department stores, greeting card stores, drug stores, shopping malls, etc. Of course, the features, and methods described herein are not limited to the embodiment shown in the drawings, but instead can apply to any scent emitting devices, as well as any other type of device (even though not necessarily scent emitting) that is capable of being provided with these features, or distributed by these methods.

III. The Device.

The scent emitting device (or apparatus, or simply the “device”) or diffuser 20 can be in any suitable configuration. The diffuser 20 is shown in FIGS. 1, 2, and 11. In the embodiment shown in the drawings, the diffuser 20 is generally cylindrical. The top of the diffuser has a raised air duct 120 and air discharge outlet 122 thereon. The top panel 124 of the diffuser 20 can be transparent so that the user of the device can see the cartridge 22 inside, and any information thereon.

The device 20 can be configured so that it emits volatile materials, such as scents, for an individual’s personal use (e.g., the device just emits scents via a tube or the like that is placed in the vicinity of the user’s nose), or it can be configured to distribute the volatile materials throughout a particular space, such as a room, or a vehicle, or the like. Preferably, the device 20 is configured to distribute the volatile materials throughout a space.

In the embodiment shown in the drawings, the device is configured so that it emits volatile materials throughout a space. In order to do this, in one embodiment, the volatile materials are distributed in a distribution pattern that is defined by an angle of greater than or equal to about 5° or 10°, and in certain embodiments greater than or equal to about 45°. The volatile materials can also be distributed in distribution patterns that are defined by any angle that is greater than 45 degrees, such as any angle that is an increment of five degrees greater than or 45 degrees (e.g., 50°, 55°, 60°, . . . , etc.). In one non-limiting version of such an embodiment, volatile materials are distributed in a distribution pattern that is defined by an angle of greater than or equal to about 120°. In a non-limiting embodiment, the distribution pattern is defined by an angle of less than or equal to about 180°, although, in other embodiments, greater angles of distribution are possible. In another non-limiting version of such an embodiment, the device 20 is capable of dispensing volatile materials so that such materials can be detected throughout a volume of greater than or equal to about 100 ft³ (about 2.8 m³).

Numerous other embodiments of the diffuser are possible. It should be understood that the present invention is not limited to diffusers having the configuration shown in the drawings, and in other embodiments, the configuration of the diffuser can differ greatly from that shown in the drawings.

The diffuser 20 may contain a component for activating the scents or aromatic materials from their "resting" state to an activated state. Such a component may include, but is not limited to a component that volatilizes or heats the scents or aromatic materials. The dispensing device may also contain a component, such as a fan, for diffusing or transporting the aromatic materials into the environment or atmosphere.

The diffuser 20 may comprise a mechanism for aligning the heater 132 with one or more of the scent-containing receptacles. In one non-limiting embodiment, the mechanism rotates the receptacles within the multi-scent containing article of manufacture so as to align at least one of the receptacles with the heater. In other embodiments, there may be more than one heating elements under the receptacles. In still other embodiments, the receptacles may remain stationary, and the device may comprise a mechanism for rotating or otherwise moving the heating element to align it with the receptacles.

FIG. 11 is a cross-sectional view of the diffuser shown in FIGS. 1 and 2. The embodiment of the diffuser 20 shown in the drawings comprises several primary elements including a slot 126 for receiving the cartridge 22, a rotating hub 128 for engaging and rotating the rotatable disk 46 inside the cartridge 22, a rotating plate 130 to engage the locking ring 86 inside the cartridge 22, an activating component such as a heating element 132 to accelerate diffusion of the perfumes, and a diffusing component such as a fan 134 that cooperates with the ductwork, such as the raised air duct 120 to flow forced air over the exposed pocket 44A of scent gels in the rotatable disk 46. The slot 126 for receiving the cartridge 22 is preferably integrated with a door 136 that can be opened to remove the cartridge 22. This door 136 is preferably controlled by the electronics in the device 20 to ensure that the cartridge 22 can not be removed if it is either unlocked or if a scent pocket 44 is exposed.

The heating element 132 should preferably be in proximity to the scent pocket 44A that is exposed for emission. The heating element 132 need not contact the scent pocket 44A. However, if desired, the heating element 132 may not only be in proximity of the scent pocket 44A, but may also contact the scent pocket 44A that is exposed for emission to increase the transfer of heat from the heating element 132 to the perfume gel in the scent pocket 44.

In this embodiment, the disk 46 inside the cartridge 22 is turned around (rotated) by a shaft 138 having the hub 128 which engages the tooth 78 on the underside of the disk 46. The shaft 138 is connected to a motor 142 through a pair of gears, which comprise a main gear 144 and a worm gear 146. The main gear 144 in this embodiment is a plate gear. The motor 142 rotates the worm gear 146 and the worm gear 146 turns the main gear 144. The main gear 144 rotates the shaft 138 and turns the disk 46 in the cartridge 22 around.

When the cartridge 22 is outside the device 20, the cartridge 22 will be in a locked position with the blank portion 51 of the rotatable disk 46 with no scent receptacle therein in position below the opening 88 in the top portion of the cartridge 22. The spring 100 keeps a lower quality seal in place, but still allows the rotatable disk 46 to rotate. When locking ring 86 is engaged (such as when the cartridge 22 is removed), a higher quality seal is formed which does not permit the rotatable disk to rotate, for greater safety. The pins or prongs 106 in the locking ring 86 pass through the slots 98 in the bottom of the cartridge 22, and engage the locking mechanism on the device 20.

FIG. 11 also shows the components of the diffuser 20 that lock and unlock the cartridge 22. In the embodiment shown, the components that lock and unlock the cartridge comprise a separate motor and set of gears, and a pair of pins, locking pins 140. The second set of gears comprises a gear 148 and a plate gear 150. The motor and gear arrangement rotates the locking pins 140 back and forth to lock and unlock the cartridge. The locking pins 140 are on the plate gear 150, which is also connected to the shaft 138. In the embodiment shown, the locking pins 140 (which are oriented into the plane of the page on the drawing sheet) are disposed so that they will fit inside the curvilinear slots 98 in the bottom of the cartridge 22. The locking pins 140 fit between the projections 106 in

the circular locking ring 86. The ramped cutouts 104 in the circular locking ring 86, as noted herein, have a depth which varies from a low end to a high end so that they form ramps that slide along the projections 99 on the inside surface of the lower cartridge shell 38. When the motor turns the gears, the locking pins 140 turn the locking ring 86 by pushing on the projections 106 in the locking ring 86. When the highest portions of the ramped cutouts 104 align with the projections 99, the locking ring 86 will be in its lowest position. This transfers the load from the locking ring 86 to the spring 100 and compresses the spring 100. This removes pressure at the interface or seal between the barrier material 102 and the rims or gaskets 84 surrounding the scent receptacles 44, and permits the rotating disk 46 to be rotated.

The motors are wired to a circuit board which has the control circuitry, which is linked to the control buttons. The device can be provided with an electrical plug for inserting into an electrical outlet of a structure, vehicle (e.g., automobile cigarette lighter), or the like. Alternatively, the device can be powered with batteries.

The diffuser 20 can have controls for the consumer to start and stop the device, to select the scent "volume" or intensity, to select the time interval between scent transitions, and to skip one or more undesired scents in the cartridge. These can include a start and a stop button, which may be separate, but are preferably a single start/stop button 160, an eject button 162, a scent intensity control 164, a scent duration control 166, and a "skip" button 168 for skipping ahead to the next scent in sequence. It should be understood that the controls described in the preceding sentence are merely one embodiment of the possible controls for the diffuser 20. The diffuser 20 need not have all of these controls, and may have other, or different controls. If the consumer does not utilize the "skip" control, or if the diffuser 20 is not provided with such a control, the scents can be emitted in a predetermined sequence. Such a sequence can include, but is not limited to, emitting the scents sequentially in the order they are arranged around the disk.

The diffuser 20 may also have one or more displays so that the user will be able to determine the control settings. Several non-limiting examples of displays include: a scent intensity display 170, a scent "track" number display 172, and a scent duration

display 174. The displays may be in any known form. In the embodiment shown in the drawings, the displays are in the form of liquid crystal display (LCD) or light emitting diode (LED) displays, that display a numeric value. For instance, the numeric value of the scent duration display could display the number of minutes that the scent will continue to be emitted.

In some embodiments, the apparatus can have a single control which controls both the activation of the aromatic materials from a resting state to an activated state, and the diffusion of the aromatic materials into the environment. For instance, a single control may control the operation of both the heater 132 and the fan 134. In the embodiment shown in the drawings, this is the scent intensity control 164.

The components of the device 20 can be made out of any suitable material, and can be in any suitable arrangement. Suitable materials include, but are not limited to metals (e.g., aluminum), glass, or plastic. Preferably, the duct work on the device, such as the raised air duct 120, is made of PET because it has minimal tendency to absorb odors and deform when heated. In addition, the discharge outlet, the heater 132, and the scent receptacle 44A for the scent being emitted are preferably located relatively close to the exterior 40 of the device so as to minimize any tendency for scents to contaminate portions of the device which are “down wind” of the discharge outlet 122.

The heater 132 can be any suitable heater that is capable of heating the perfume gels to the desired temperature. The heater 132 preferably comprises a heating element, which is the part of the heater that becomes hot. The heater 132 can be run at any suitable temperature, and for any suitable duration. In other embodiments, the heater 132 can be omitted altogether, in which case the scents will be diffused from their “at rest” or unheated state by the fan 134.

Other novel aspects of the present invention relate to the ways the device may be programmed to emit the scents or aromatic materials. This will be referred to as the “emission program”. The emission program comprises one or more emission periods during which the aromatic materials are emitted, and the manner or manners in which the scents are emitted.

In one embodiment, at least one of the aromatic materials is emitted for an emission period of greater than or equal to about 1 minute and less than 120 minutes. In other embodiments, the emission period may be any range of number of minutes that falls within the aforementioned range. Such other ranges include, but are not limited to a range of between about 1 minute and about 90 minutes, inclusive, and a range of between about 1 minute and about 60 minutes, inclusive. In still other, but less preferred embodiments, the aromatic materials may be emitted for an emission period of less than 1 minute, or greater than or equal to 120 minutes. The aromatic materials can be emitted continuously during the emission period, or intermittently. The scent emission program in preferred embodiments is intermittent, and uses a pulsed sequence of scent emissions for each given scent to minimize "habituation", and for other benefits described in greater detail below. The controls can be set up so that the intermittent emission of the scents can take place with or without the user having control thereof.

The scent emission program preferably provides for user input on the scent intensity and duration. In such preferred embodiments, the user will control scent intensity and duration. Default settings for both these parameters can also be available for "one-touch play". As discussed above, in some preferred embodiments, the system uses a pulsed sequence of scent emissions for each given scent. For example, in one non-limiting embodiment, each scent will be emitted for a series of ten minute periods. In such an embodiment, each ten minute period may have a period when the heater and/or fan is being powered and one or more periods when the heater and/or fan is not being powered. The inputted scent duration will be realized via a multiplicity of intermittent emission periods. An additional non-heated period, such as a five minute period (or any suitable period comprising a number of minutes, or portions thereof, including but not limited to 2 minutes), can be provided for the last portion of the period of a given scent's emission cycle to permit the scent to dissipate before a new scent is introduced. Preferably, such a non-emission period is of a shorter duration than the emission period. Preferably, the non-emission period is less than or equal to one-half the duration of the emission period.

The relative proportion of time the heater 132 is being powered to the time it is not being powered during a ten minute emission period will determine the intensity of

scent. For example, at a low intensity setting, the ratio of the period of time the heater 132 is on/off may be about 10/90. In contrast, at the highest setting, the ratio may be about 100/0. FIG. 12 is a graph which shows one non-limiting example of the time that the heater is powered during an emission period versus the intensity setting. The upper line in the graph represents a linear relationship between the ratio of the on/off period and the intensity setting. As shown in FIG. 12, the timing and the intensity can be set so that the ratio of the period of time the heater is on/off will increase more at higher settings. This approach provides greater response so the increase in scent intensity will be more noticeable at higher settings and more fine adjustment through the majority of the range.

The heater 132 can heat the heating element to a temperature within any suitable range for emitting the scents. The heater 132 can, in some embodiments, be set to heat the heating element to a temperature that is lower than normal room temperature (for example, if it is used outside). One non-limiting range of temperatures to which the heater 132 may heat the heating element is between about 20°C and about 100°C. In one non-limiting embodiment, the heater 132 is powered so that an operating surface temperature of 70° C is reached quickly and held steady. The heater 132 can be powered so that the operating temperature is reached quickly in a number of different manners. In one embodiment, this is achieved by powering the heater in two distinct steps. FIG. 13 is a graph that shows one way in which the heater settings and durations at the different settings may be used to quickly bring the heater up to the desired temperature. In one non-limiting embodiment, e.g., during the first approximately 30 seconds of a heating period (the period designated "1" in FIG. 13), the heater is powered/pulsed at a relatively high frequency. This allows the heater 132 to warm-up quickly. Subsequently (after the heater reaches the desired temperature, e.g., during the period marked "2"), the frequency is lowered to maintain the target temperature. After a specific period (during the period designated "3"), the heater 132 may be turned off to allow the scent to dissipate.

The fan 134 can be set at any desired setting. In one non-limiting embodiment, the airflow generated by the fan 134 will vary as a function of the intensity selected. Because a minimum airflow is required to effect bulk air movement in a typical room, the fan speed scale will, in such an embodiment, preferably begin at an intermediate setting for the fan (e.g., at a fan setting of "4"). FIG. 14 is a graph that shows one way in which

the fan setting can be varied with changes in the intensity setting. In this embodiment, the fan speed will climb linearly from the lowest intensity setting to its maximum output (that is, to the lowest fan setting which achieves maximum airflow, which is not necessarily the highest fan setting) at the 80% of maximum intensity setting. This provides good airflow for more than just the highest intensity setting.

The airflow can also be made to vary as a function of the heating program and the resulting temperature. For example, during the period when the heater is being powered and until it cools to about 35 °C, the fan speed will be set as described above (see FIG. 14). Below 35 °C, the fan speed will be reduced, but the fan will remain on. In one non-limiting example, this setting can be about 20% of the maximum output of the fan. In other words, as long as the system is above 35 °C, the fan will be on. The fan also runs to cool the system after the period the heater is being powered, but at a lower speed.

As mentioned previously, the user will set how long they want each scent to be emitted. FIG. 15 is a graph that shows one non-limiting example of an emission cycle. This period of time shown is divided into a collection of active emitting periods (e.g., the period of time designated "1"), each of which have a final exhausting period (the period of time designated "2"). In the example of the emission cycle shown in FIG. 15, the final exhausting period will last 5 minutes during which the fan will be run at 20% of its maximum output. Two distinct approaches are employed based on the time selected by the user. If the time is less than 15 minutes (leaving less than 10 minutes for the emitting period), a single emitting period is defined by the time selected by the user ("t") minus the five minute exhaustion or dissipation period ($t - 5$) and the proportions defined in the intensity program are applied to $t - 5$. If $t - 5$ is greater than or equal to 10 minutes, then $t - 5$ is divided by 10 to define n , the number of emitting periods for a given scent's duration. If $t - 5$ is not directly divisible by 10, the remaining fraction of time less than 10 is divided evenly into the whole periods, n . The ratios in the intensity program are then applied to the n periods greater 10 minutes. For example, if the inputted scent duration time is 40 minutes, $n = 3$ each lasting $10 + 5/3$ minutes.

The emission program described above provides a number of advantageous features. The user is provided with control so that the scents emitted are tunable to

accommodate personal preferences and room environment, for instance to provide “just enough” scent. The emission program can provide a gentle intensity modulation and exhausting sequence with each scent to modulate the intensity of scent to reduce scent “fatigue” or habituation. The quality of the scents is better preserved throughout the use of the cartridge. By emitting scents strategically, and/or by only heating enough so as not to age the perfume, scent quality is maintained longer. The emission program preferably also minimizes residual scent in the air/on surfaces. The emission program preferably provides noticeable transitions between different scents, and allows the scents to dissipate after use. This is in contrast to known plug in devices which can leave a scent is on carpets and other surfaces after use.

The device can also be provided with a non-limiting number of other optional features, if desired. It may, for instance, be desirable to provide the device with a light that illuminates a portion of the cartridge, such as the top of the cartridge, so that the user will be able to see any design and/or writing on the top of the cartridge even when it is dark.

The device can be provided with a hand held remote control so that the device can be operated from a distance. The device can also be provided with a timer that will allow the user to program the device to start at a particular time. Preferably, in such an embodiment, the timer is integral with, and built into the device. In other embodiments, a separate timer can be used with the device.

The device can be provided with an automatic shut-off feature in the event the device is incorrectly placed, or for other purposes. Such a feature can be used, for example, if the device is placed too close to a wall, or the like. The automatic shut-off feature can be similar to a motion or proximity sensor that is used in public restrooms, which is altered to turn the device off (rather than on) if there is something that is too close to the air discharge outlet.

In other embodiments, the device can be used in conjunction with and, if desired, in synchronization with, other media including, but not limited to: sound, light, visual images, water, etc.

In addition, numerous other embodiments of the diffuser are possible. For example, it is also contemplated that other embodiments can be made in which the cartridge is located on the outside of the housing of the diffuser during use.

In other embodiments, the locations of the motors could be reversed and the mechanism for unlocking the cartridge could be located below the mechanism for rotating the disk in the cartridge. In still other embodiments, the same motor could be used to both lock and unlock the cartridge, and rotate the disk 46.

In these or other embodiments, instead of the cartridge having a rotatable disk, the disk could remain stationary and the device can be provided with one or more heating elements (or a plurality of heaters) that lie under, or rotate under the scent-containing receptacles. Of course, in any of the embodiments described herein, the heater could be disposed over, or adjacent to the scent-containing receptacles in other embodiments. Other embodiments are also possible.

The intended mode of operation is for the user to place a cartridge 22 into the diffuser 20 and to close the door and press the start button 160. When the cartridge 22 is outside the device, the cartridge 22 will be in a locked position with the blank portion 51 of the rotatable disk with no scent receptacle therein in position below the opening 88 in the top portion of the cartridge 22. The device 20 will first unlock the rotatable disk 46 inside the cartridge 22 and then will rotate the internal rotatable disk 46 in the cartridge 22 to expose the first pocket 44A containing scent gels. The heating element 132 below the pocket 44A will energize and accelerate the emission of perfume. The fan 134 will then be started, forcing air through a duct 120 and past the exposed pocket 44A containing gels 42. This air will then enter the room and diffuse the scent quickly throughout the environment. After a pre-determined interval, the fan 134 and heating will be stopped and the disk 46 will be rotated to expose the next scent pocket 44. The fan 134 and heater 132 will then restart and emit the next scent. Pauses or breaks in the emission process can be programmed into the device 20 to ensure that it does not emit an excessive amount of perfume into the room.

When the user wants to turn the device 20 off, the start/stop button 160 is pressed and the device 20 first rotates the disk 46 inside the cartridge 22 back to the closed position so none of the pockets 44 are exposed to the outside. The locking ring 86 is then rotated to the locked position to hold the disk 46 shut against the sealing barrier 120 on the inside of the cartridge 22. After this has been completed, the door of the device opens and the user may remove the cartridge. Thereafter, the cartridge 22 may be re-used at a later time if there is still perfume left inside the pockets.

The device 20 may also be provided with instructions for using the same. The instructions may include instructions for setting the device based on the size of the room, vehicle, etc. in which the device is placed. The instructions may also include instructions for setting the device for the desired durations for emission or non-emission of each individual scent. For example, the instructions could provide that the duration of scent emission should be relatively short if the user desires to be more aware of the scents, e.g., to minimize "habituation"; or, that the duration should be relatively long if it is desired for the scents to remain more in the "background". Instructions for recycling the article of manufacture, such as the cartridge, or portions thereof can also be provided. Instructions to insert the cartridge into the clam shell can also be provided. Instructions to arrange the play sequence of perfumes/gels for an optimum scent experience can also be provided. The instructions can be provided in any suitable form, e.g., written, audio, and/or video.

The disclosure of all patents, patent applications (and any patents which issue thereon, as well as any corresponding published foreign patent applications), and publications mentioned throughout this description are hereby incorporated by reference herein. It is expressly not admitted, however, that any of the documents incorporated by reference herein teach or disclose the present invention.

The foregoing has described the principles, preferred embodiments and modes of operation of the present invention. However, the invention should not be construed as being limited to the particular embodiments discussed. Thus, the above-described embodiments should be regarded as illustrative rather than restrictive, and it should be appreciated that variations may be made in those embodiments by workers skilled in the

art without departing from the scope of the present invention as defined by the following claims.

What is claimed is:

1. A multiple aromatic material-containing article of manufacture for emitting multiple scents when in use, said multiple aromatic material-containing article characterized in that it comprises multiple aromatic materials wherein each of said aromatic materials forms a unit that has a characteristic scent, said multiple aromatic materials associated in or on said article of manufacture to form an integrated structure, said scents being described by individual names, wherein at least half of the scents in the article share a common theme, and said theme is based on the scents used in the multiple aromatic material-containing article of manufacture or the names given to individual scents.
2. The multiple aromatic material-containing article of manufacture of Claim 1 wherein all of the scents in the article share a common theme.
3. A multiple aromatic material-containing article of manufacture according to any of preceding claims wherein the common theme is selected from the group of themes consisting of:
 - (a) floral and bouquet themes;
 - (b) pleasant location themes selected from the group consisting of sylvan, flowery garden, forest, field, sea, or mountain themes;
 - (c) themes for relaxation;
 - (d) themes for stimulation;
 - (e) themes relating to various times of the day;
 - (f) scents from various countries, states, cities, or geographies;
 - (g) seasonal themes;
 - (h) themes relating to food;
 - (i) themes relating to nature;

- (j) themes relating to historical events;
 - (k) themes relating to other events;
 - (l) themes relating to memories;
 - (m) themes relating to celebrations;
 - (n) romantic themes;
 - (o) spiritual theme relating to meditation, inspiration, and serenity;
 - (p) theme relating to religion and/or worship;
 - (q) theme relating to ethnicity;
 - (r) themes relating to color;
 - (s) aromatherapy themes; and
 - (t) themes relating to, or for encouraging the sale of products.
4. A multiple aromatic material-containing article of manufacture according to Claims 1 or 2 which has a theme that relates generally to other media, without emitting scents simultaneously with events taking place in such other media wherein the other media is selected from the group of media consisting of:
- (a) films;
 - (b) music;
 - (c) movies;
 - (d) television programs;
 - (e) theatre;
 - (f) plays;
 - (g) ballet;

- (h) opera; and
 - (i) artwork.
5. A multiple aromatic material-containing article of manufacture for emitting multiple scents when in use, said multiple aromatic material-containing article characterized in that it comprises multiple aromatic materials wherein each of said aromatic materials forms a unit that has a characteristic scent, said multiple aromatic materials associated in or on said article of manufacture to form an integrated structure, wherein at least half the scents in the article of manufacture are related to each other and are selected from the group of scents consisting of:
- (a) floral or bouquet scents;
 - (b) pleasant location scents selected from the group consisting of sylvan, flowery garden, forest, field, sea, or mountain scents;
 - (c) scents for relaxation;
 - (d) scents for stimulation;
 - (e) scents relating to various times of the day;
 - (f) scents from various countries, states, cities, or geographies;
 - (g) seasonal scents;
 - (h) scents relating to food;
 - (i) scents relating to nature;
 - (j) scents relating to historical events;
 - (k) scents relating to other events;
 - (l) scents relating to memories;
 - (m) scents relating to celebrations;

- (n) romantic scents;
 - (o) spiritual scents relating to meditation, inspiration, and serenity;
 - (p) scents relating to religion and/or worship;
 - (q) scents relating to ethnicity;
 - (r) scents relating to color;
 - (s) aromatherapy scents; and
 - (t) scents relating to, or for encouraging the sale of products.
6. The article of manufacture of Claim 5 wherein all of the scents are related to each other and are selected from one of said groups.
7. A multiple aromatic material-containing article of manufacture for emitting multiple scents when used in conjunction with a device for emitting multiple scents, said multiple aromatic material-containing article characterized in that it comprises multiple aromatic materials wherein each of said aromatic materials forms a unit that has a characteristic scent, said multiple aromatic materials associated in or on said article of manufacture to form an integrated structure, said scents being described by individual names, wherein said multiple aromatic material-containing article of manufacture is removable from said device and reusable and replayable, and at least half of the scents in the article share a common theme, and said theme is based on the scents used in the multiple aromatic material-containing article of manufacture or the names given to individual scents.
8. A multiple aromatic material-containing article of manufacture according to any of the preceding claims wherein:
- (a) said article of manufacture further comprises one or more illustrations, colors, icons, and/or writings on the article that indicates the theme of the scents in the article and/or a sequential listing of the scents;

(b) said multiple aromatic material-containing article of manufacture is further provided with packaging for said article, wherein said packaging comprises an illustration, color, icon, or writing that indicates the theme of the scents in the article and/or a provides a sequential listing of the scents in the article; or

(c) both.

9. An article of manufacture according to any of Claims 1-6 and 8 wherein said article is configured to be used in conjunction with a device for emitting multiple scents, wherein said multiple scent-containing article of manufacture is removable from said device and reusable and replayable after it has been removed from the device when it is thereafter used in conjunction with the device.
10. An article of manufacture according to any of the preceding claims wherein the aromatic materials are sealed when the article of manufacture is not in use after the first use of said article of manufacture.
11. An article of manufacture according to Claims 9 or 10 further comprises a sealing mechanism having a sealed position and a opened position, wherein article of manufacture cannot be removed from said device until said sealing mechanism is in its sealed position.
12. An article of manufacture according to any of Claims 9 through 11 wherein said article has a locked state and an unlocked state, wherein said aromatic materials are not accessible from outside the article when said article is in its locked state.
13. A multiple aromatic material-containing article of manufacture according to any of the preceding claims which comprises a cartridge or a disc.

1/8

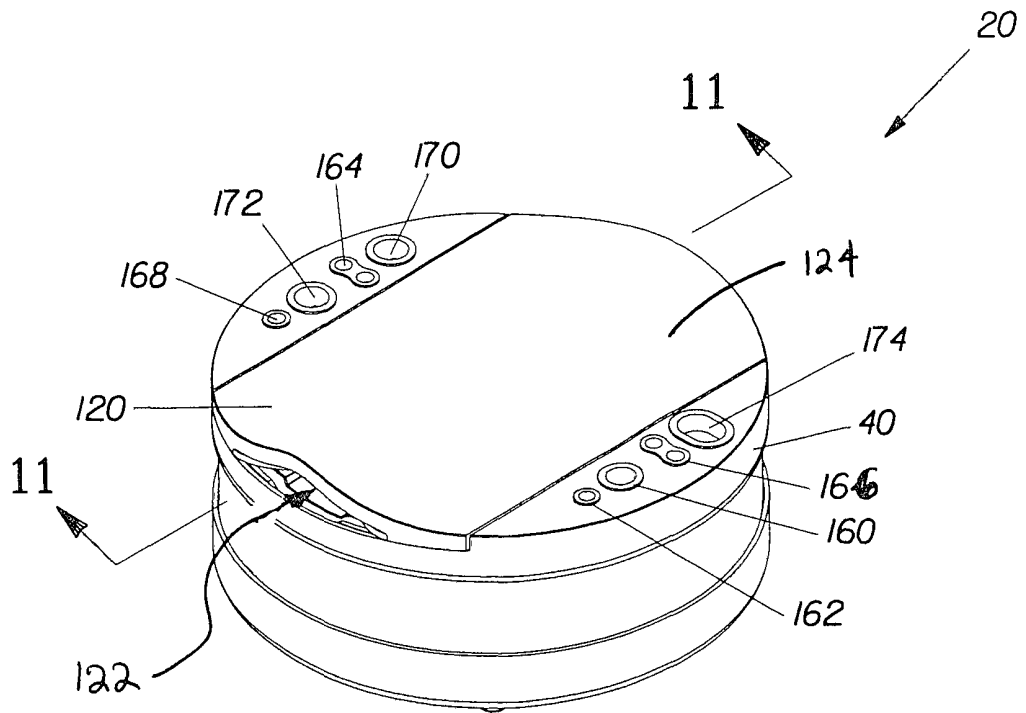


Fig. 1

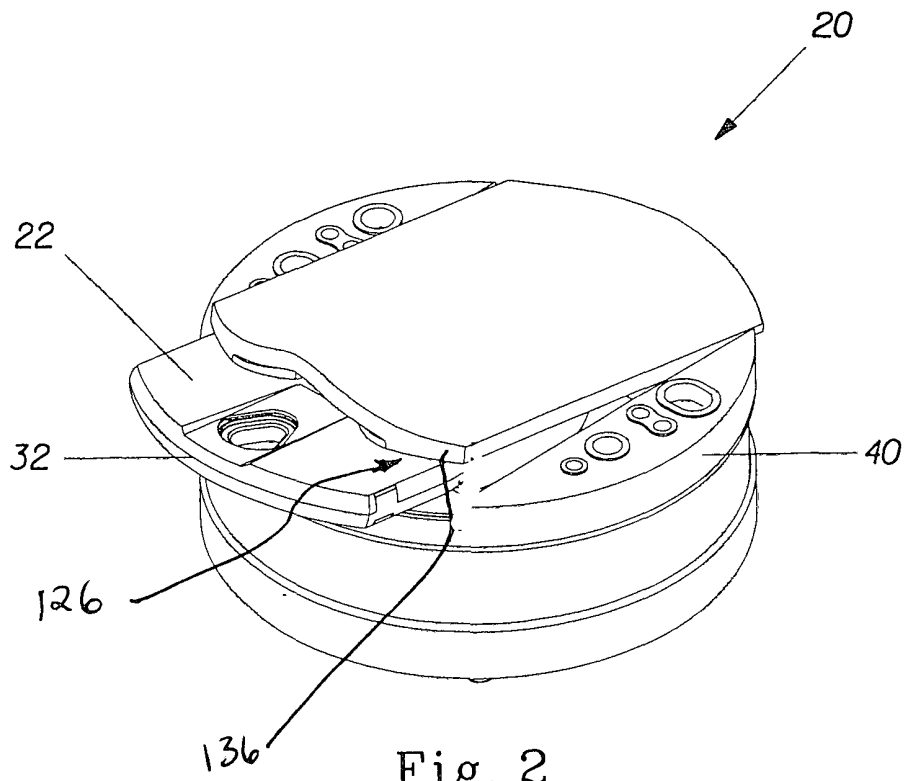


Fig. 2

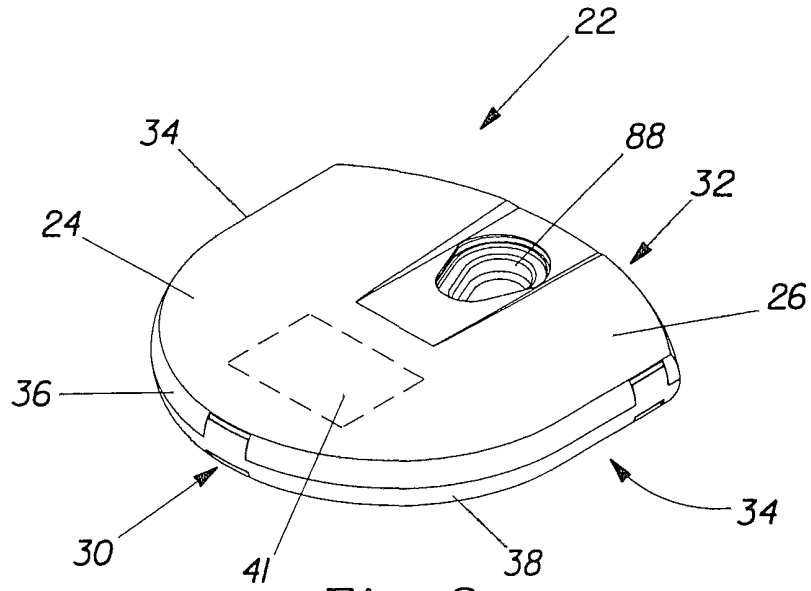


Fig. 3

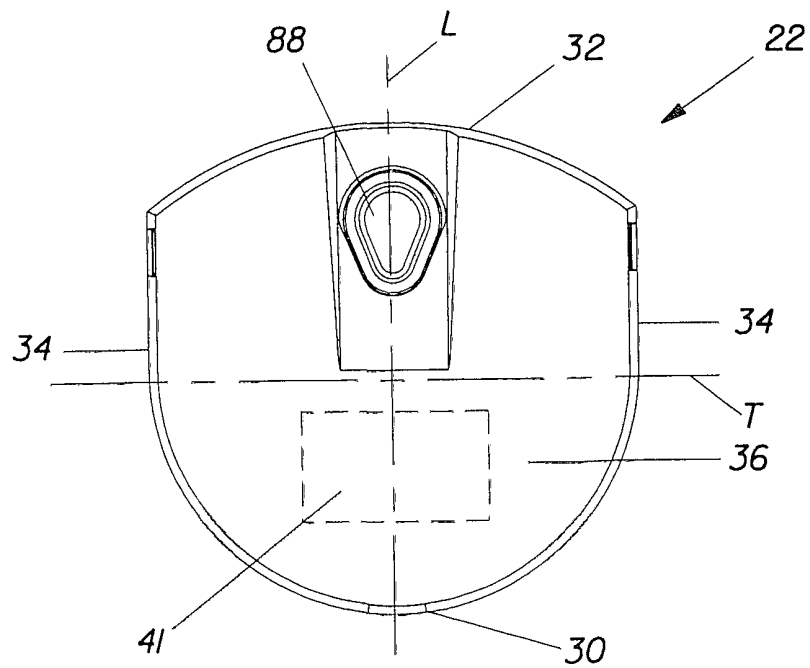


Fig. 4

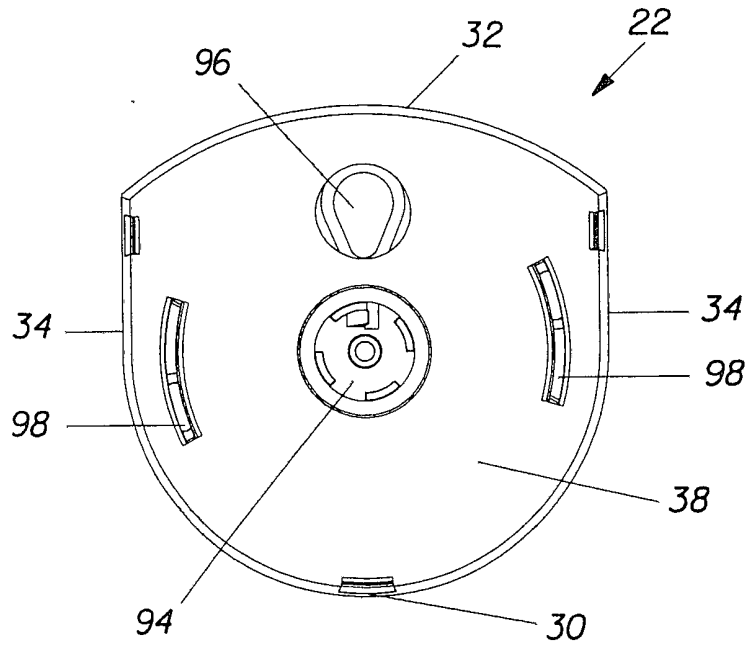


Fig. 5

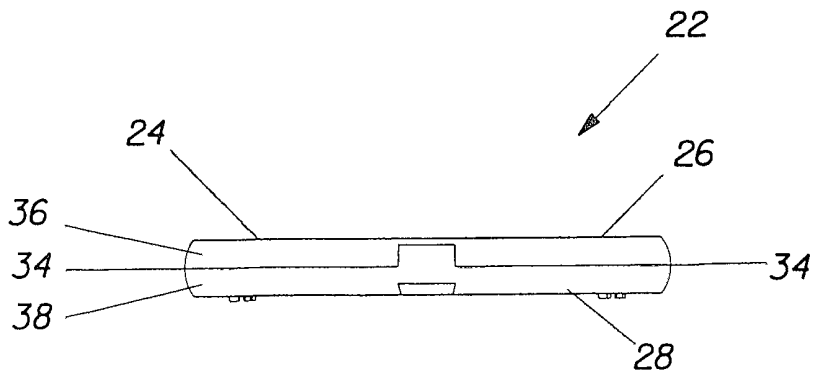
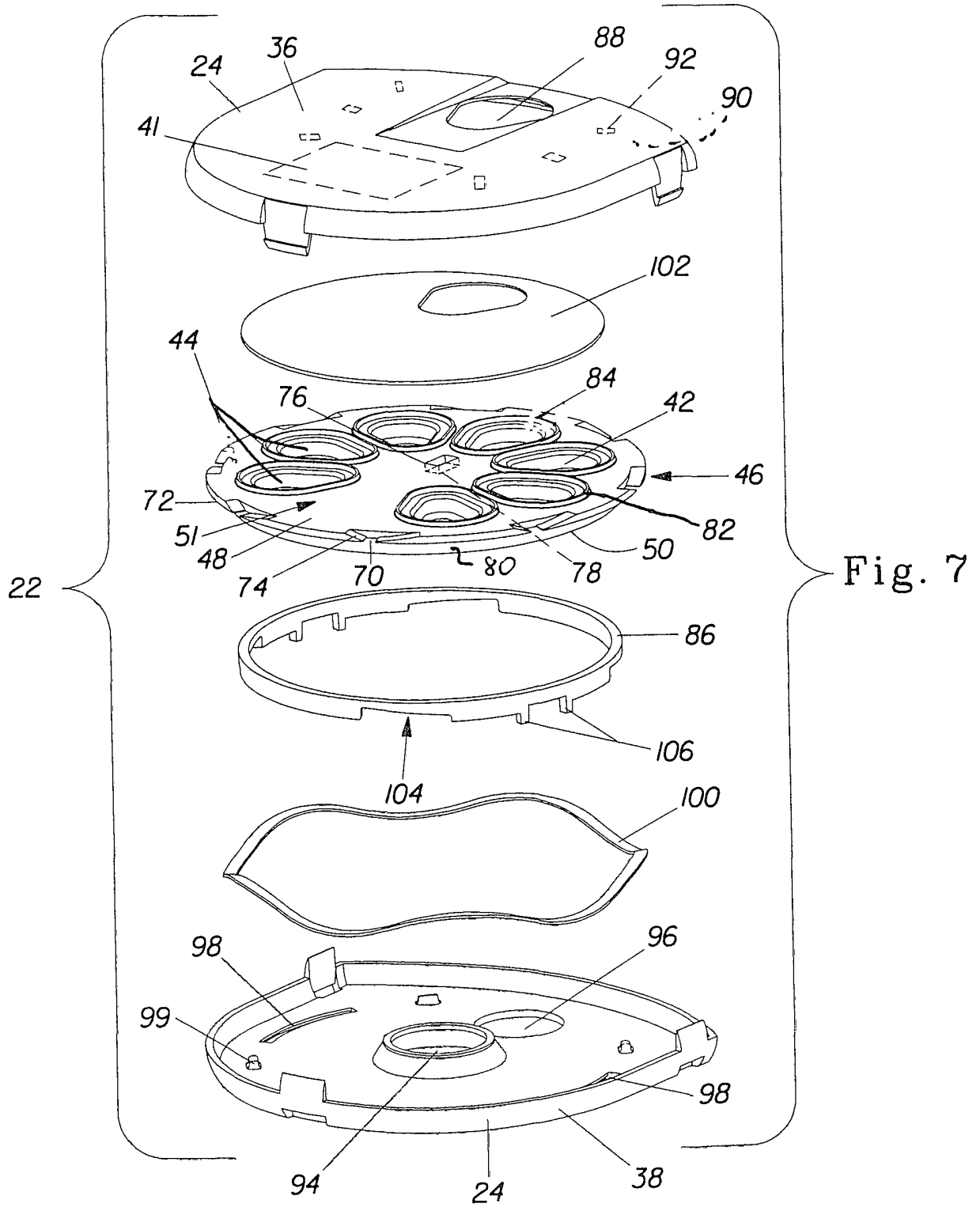


Fig. 6



5/8

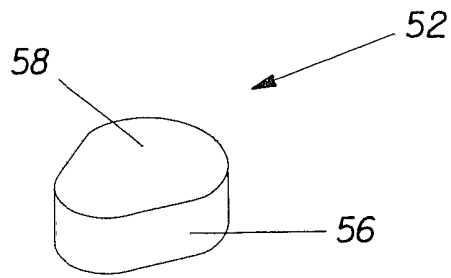


Fig. 8

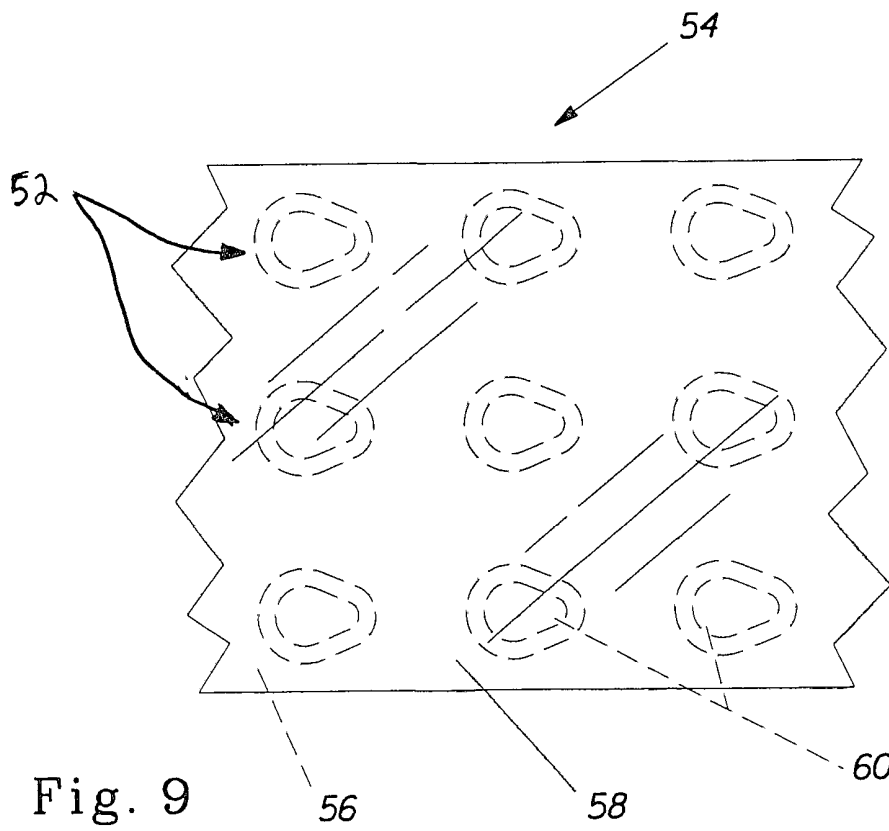


Fig. 9

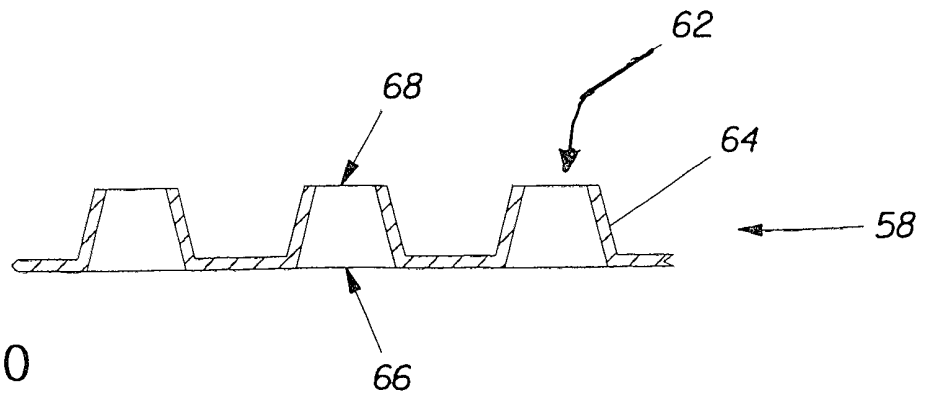


Fig. 10

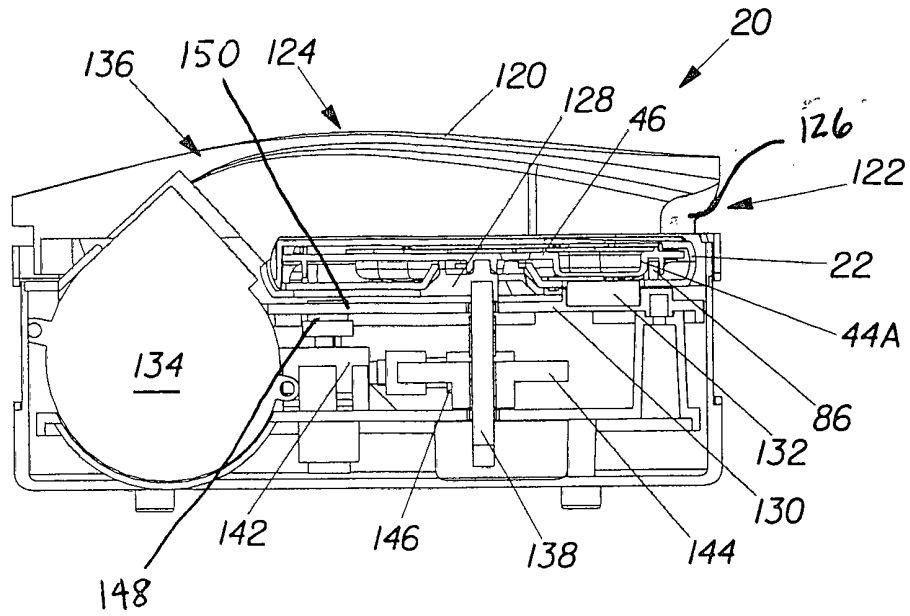


Fig. 11

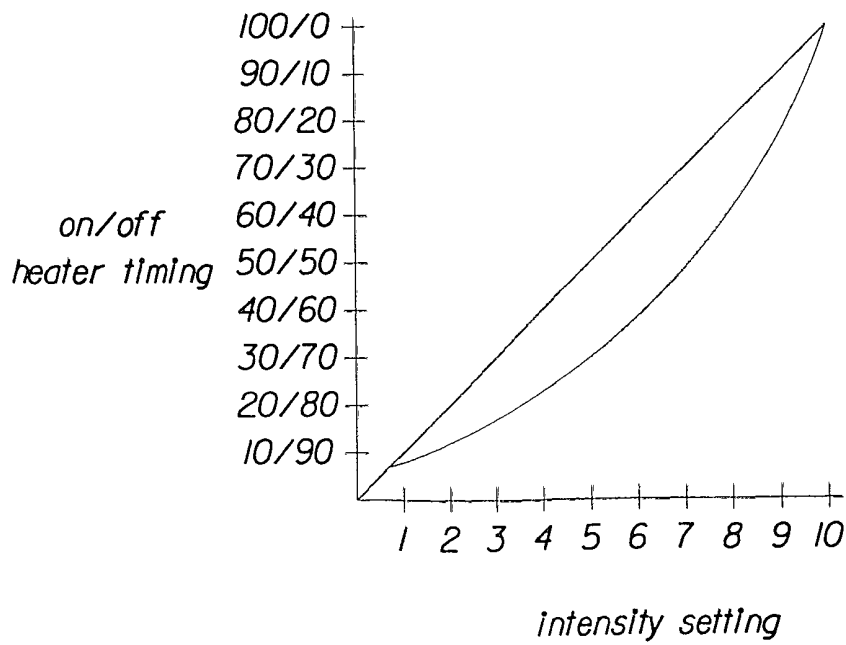


Fig. 12

7/8

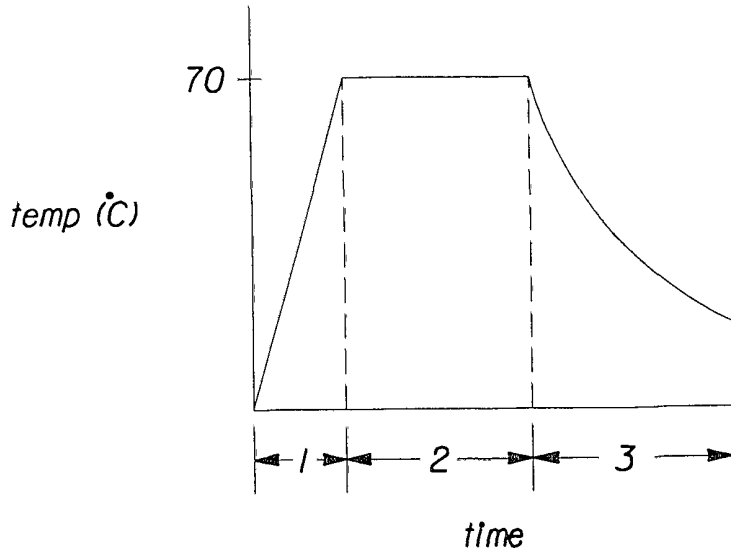


Fig. 13

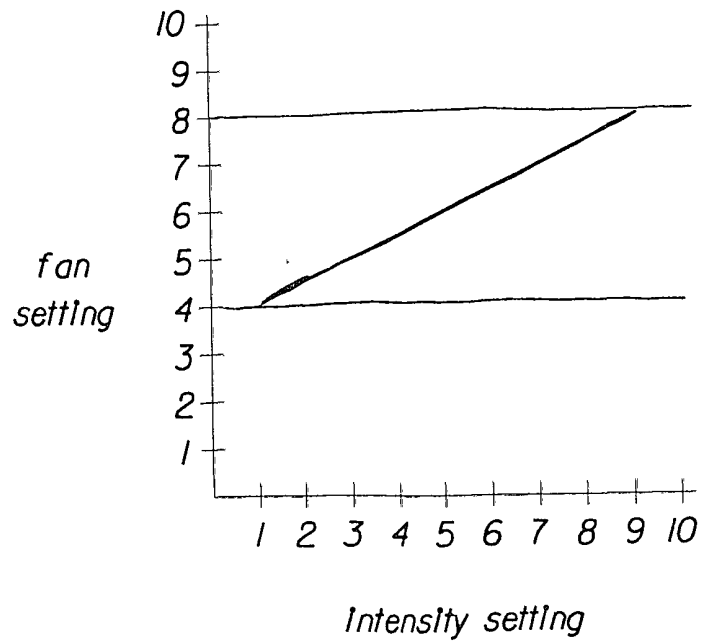


Fig. 14

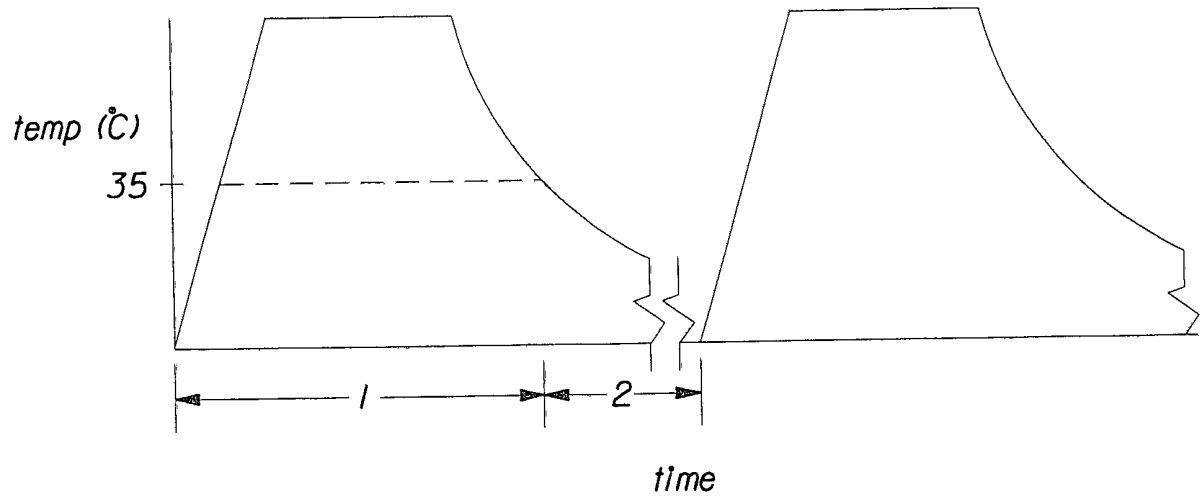


Fig. 15

INTERNATIONAL SEARCH REPORT

International Application No

PCT/US 01/23504

A. CLASSIFICATION OF SUBJECT MATTER
 IPC 7 A61L9/12 A61L9/03

According to International Patent Classification (IPC) or to both national classification and IPC

B. FIELDS SEARCHED

Minimum documentation searched (classification system followed by classification symbols)

IPC 7 A61L

Documentation searched other than minimum documentation to the extent that such documents are included in the fields searched

Electronic data base consulted during the international search (name of data base and, where practical, search terms used)

EPO-Internal, WPI Data, PAJ

C. DOCUMENTS CONSIDERED TO BE RELEVANT

Category °	Citation of document, with indication, where appropriate, of the relevant passages	Relevant to claim No.
X	WO 00 12143 A (BLONDEAU PHILIPPE ;ARNELL JOHN (GB); AROMA TECHNOLOGY LIMITED (GB)) 9 March 2000 (2000-03-09) claims; figures ---	1-13
X	US 5 972 290 A (DE SOUSA MAURICIO) 26 October 1999 (1999-10-26) claims; figures 1,2 ---	1-13
X	US 5 565 148 A (PENDERGRASS JR DANIEL B) 15 October 1996 (1996-10-15) claims; figures 1,2 ---	1-13
X	US 6 024 783 A (BUDMAN MARK) 15 February 2000 (2000-02-15) column 1, line 21 - line 62 ---	1-13
	-/--	

Further documents are listed in the continuation of box C.

Patent family members are listed in annex.

° Special categories of cited documents :

A document defining the general state of the art which is not considered to be of particular relevance

E earlier document but published on or after the international filing date

L document which may throw doubts on priority claim(s) or which is cited to establish the publication date of another citation or other special reason (as specified)

O document referring to an oral disclosure, use, exhibition or other means

P document published prior to the international filing date but later than the priority date claimed

T later document published after the international filing date or priority date and not in conflict with the application but cited to understand the principle or theory underlying the invention

X document of particular relevance; the claimed invention cannot be considered novel or cannot be considered to involve an inventive step when the document is taken alone

Y document of particular relevance; the claimed invention cannot be considered to involve an inventive step when the document is combined with one or more other such documents, such combination being obvious to a person skilled in the art.

* & * document member of the same patent family

Date of the actual completion of the international search

18 January 2002

Date of mailing of the international search report

28/01/2002

Name and mailing address of the ISA

European Patent Office, P.B. 5818 Patentlaan 2
 NL - 2280 HV Rijswijk
 Tel. (+31-70) 340-2040, Tx. 31 651 epo nl,
 Fax: (+31-70) 340-3016

Authorized officer

ESPINOSA, M

INTERNATIONAL SEARCH REPORT

International Application No
PCT/US 01/23504

C.(Continuation) DOCUMENTS CONSIDERED TO BE RELEVANT		
Category °	Citation of document, with indication, where appropriate, of the relevant passages	Relevant to claim No.
X	US 4 603 030 A (MCCARTHY ROBERT E) 29 July 1986 (1986-07-29) claims; figures ---	1-13
X	US 5 887 118 A (CRUICKSHANK RONALD DALE ET AL) 23 March 1999 (1999-03-23) claims ---	1-13
P,X	US 6 136 277 A (NARDINI JOSEPH) 24 October 2000 (2000-10-24) claims; figures ---	1-13
P,X	WO 01 19417 A (BALBI DOMINIQUE ;FRANCE TELECOM (FR); MESSENGER JACQUES (FR)) 22 March 2001 (2001-03-22) claims; figure 1 ---	1-13
A	WO 99 08174 A (ILLINOIS TECHNOLOGY INST) 18 February 1999 (1999-02-18) claims ---	1-13
A	EP 0 295 129 A (SHIMIZU CONSTRUCTION CO LTD) 14 December 1988 (1988-12-14) claims; figures -----	1-13

INTERNATIONAL SEARCH REPORT

Information on patent family members

International Application No

PCT/US 01/23504

Patent document cited in search report		Publication date	Patent family member(s)	Publication date
WO 0012143	A	09-03-2000	AU 5739599 A WO 0012143 A1 EP 1107800 A1	21-03-2000 09-03-2000 20-06-2001
US 5972290	A	26-10-1999	BR 9601523 A AU 721602 B2 AU 2282397 A WO 9737693 A1 CA 2251361 A1 CN 1220611 A EP 0892646 A1 JP 2000507868 T	24-03-1998 06-07-2000 29-10-1997 16-10-1997 16-10-1997 23-06-1999 27-01-1999 27-06-2000
US 5565148	A	15-10-1996	CA 2212536 A1 EP 0814851 A1 JP 11501834 T WO 9628195 A1	19-09-1996 07-01-1998 16-02-1999 19-09-1996
US 6024783	A	15-02-2000	US 6241944 B1 US 2001008611 A1	05-06-2001 19-07-2001
US 4603030	A	29-07-1986	NONE	
US 5887118	A	23-03-1999	NONE	
US 6136277	A	24-10-2000	NONE	
WO 0119417	A	22-03-2001	FR 2799668 A1 WO 0119417 A1	20-04-2001 22-03-2001
WO 9908174	A	18-02-1999	US 6004516 A AU 8678098 A EP 1012695 A2 JP 2001512705 T WO 9908174 A2	21-12-1999 01-03-1999 28-06-2000 28-08-2001 18-02-1999
EP 0295129	A	14-12-1988	JP 1917669 C JP 6027432 B JP 63308161 A JP 1123932 A JP 1756824 C JP 4042578 B CA 1318285 A1 DE 3872059 D1 DE 3872059 T2 EP 0295129 A1 US 5023020 A	23-03-1995 13-04-1994 15-12-1988 16-05-1989 23-04-1993 13-07-1992 25-05-1993 23-07-1992 03-12-1992 14-12-1988 11-06-1991