



US00D593059S

(12) **United States Design Patent**  
**Kim et al.**

(10) **Patent No.:** **US D593,059 S**

(45) **Date of Patent:** **\*\* May 26, 2009**

(54) **MOBILE PHONE**

(75) Inventors: **Hae-Jin Kim**, Seoul (KR); **Young-Ju Yeo**, Seoul (KR); **Chang-Soo Lee**, Incheon (KR)

(73) Assignee: **Samsung Electronics Co., Ltd.**, Suwon-Si (KR)

(\*\*) Term: **14 Years**

(21) Appl. No.: **29/320,786**

(22) Filed: **Jul. 3, 2008**

(30) **Foreign Application Priority Data**

May 13, 2008 (KR) ..... 30-2008-0019978

(51) **LOC (9) Cl.** ..... **14-03**

(52) **U.S. Cl.** ..... **D14/138 G**

(58) **Field of Classification Search** ..... D14/137, D14/138 R, 138 AA, 138 AB, 138 AC, 138 AD, D14/138 C, 138 G, 147, 191, 218, 247-248, D14/341-347, 455, 456, 496; D10/65, 78, D10/104; D13/168; D18/7; 455/556.1, 455/566, 575.1, 575.3; 345/169  
See application file for complete search history.

(56) **References Cited**

**U.S. PATENT DOCUMENTS**

6,625,283	B1	*	9/2003	Sato	.....	379/433.07
D532,791	S	*	11/2006	Kim	.....	D14/203.7
D540,203	S	*	4/2007	Jeon	.....	D10/65
D548,713	S	*	8/2007	Lee et al.	.....	D14/138 AD
D556,211	S	*	11/2007	Howard	.....	D14/496
D558,720	S	*	1/2008	Lee et al.	.....	D14/138 AD
D558,757	S	*	1/2008	Andre et al.	.....	D14/341
D558,758	S	*	1/2008	Andre et al.	.....	D14/341
D569,837	S	*	5/2008	Baik et al.	.....	D14/138 G
D575,760	S	*	8/2008	Kim et al.	.....	D14/138 G
D577,353	S	*	9/2008	Kim et al.	.....	D14/138 AD
D577,703	S	*	9/2008	Lee et al.	.....	D14/138 G
D577,704	S	*	9/2008	Park et al.	.....	D14/138 AD
D578,500	S	*	10/2008	Lee et al.	.....	D14/138 G
D578,987	S	*	10/2008	Lee et al.	.....	D14/138 R
D579,437	S	*	10/2008	Yoon	.....	D14/138 R

D579,898	S	*	11/2008	Lee et al.	.....	D14/138 R
D579,902	S	*	11/2008	Kim et al.	.....	D14/138 R
D580,401	S	*	11/2008	Kim et al.	.....	D14/138 AD
D581,384	S	*	11/2008	Kim et al.	.....	D14/138 R
D583,342	S	*	12/2008	Kim et al.	.....	D14/138 G
D583,345	S	*	12/2008	Kim et al.	.....	D14/138 AD
D584,272	S	*	1/2009	Chung et al.	.....	D14/138 R
2007/0265031	A1	*	11/2007	Koizumi et al.	.....	455/556.1
2007/0287512	A1	*	12/2007	Kilpi et al.	.....	455/575.1
2008/0051161	A1	*	2/2008	Tashiro	.....	455/575.1

**OTHER PUBLICATIONS**

Apple iPhone 3G, announced Jun. 2008, [online], [retrieved on Jun. 13, 2008]. Retrieved from Internet ,<URL: http://www.gsmarena.com>.\*

LG KE850 Prada, announced Jan. 2007, [online], [retrieved on Feb. 20, 2007 and May 18, 2007]. Retrieved from Internet ,<URL: http://www.gsmarena.com>.\*

LG KF700, announced Feb. 2008, [online], [retrieved on Mar. 21, 2008 and May 14, 2008]. Retrieved from Internet ,<URL: http://www.gsmarena.com>.\*

Samsung F490, announced Jan. 2008, [online], [retrieved on Jan. 18, 2008]. Retrieved from Internet ,<URL: http://www.gsmarena.com>.\*

\* cited by examiner

*Primary Examiner*—Jeffrey D Asch

*Assistant Examiner*—Bridget L Eland

(74) *Attorney, Agent, or Firm*—Staas & Halsey LLP

(57) **CLAIM**

The ornamental design for a mobile phone, as shown and described.

**DESCRIPTION**

FIG. 1 is a front perspective view of a mobile phone;  
FIG. 2 is a front view of the mobile phone of FIG. 1;  
FIG. 3 is a rear view of the mobile phone of FIG. 1;  
FIG. 4 is a left-side view of the mobile phone of FIG. 1;  
FIG. 5 is a right-side view of the mobile phone of FIG. 1;  
FIG. 6 is a top plan view of the mobile phone of FIG. 1; and,  
FIG. 7 is a bottom plan view of the mobile phone of FIG. 1.

**1 Claim, 4 Drawing Sheets**

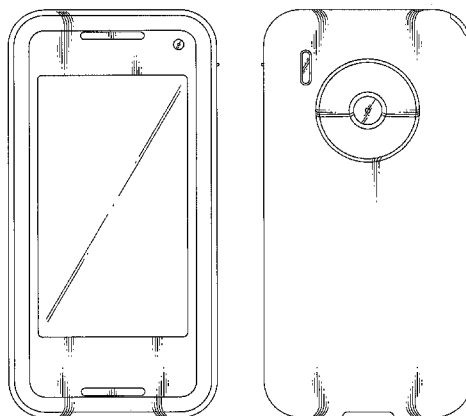


FIG. 1

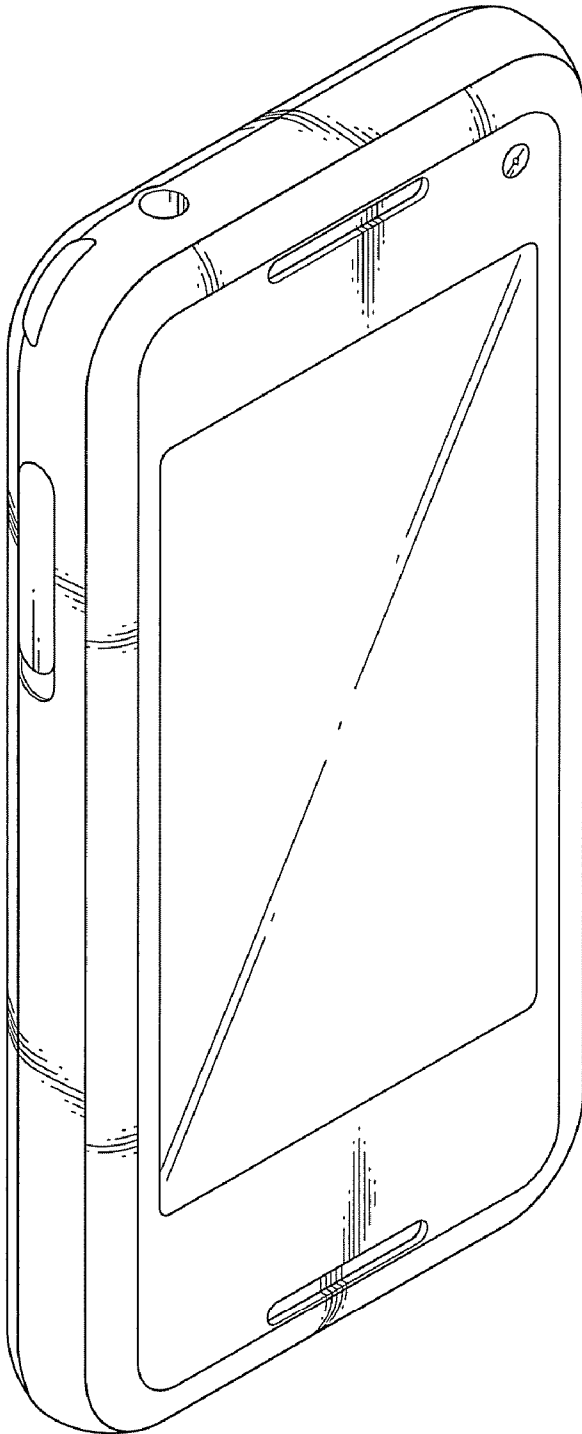


FIG.2

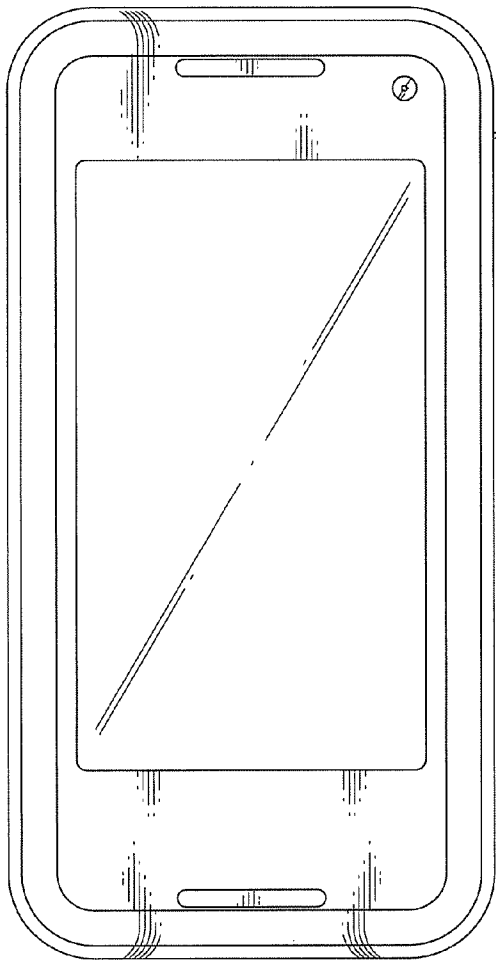


FIG.3

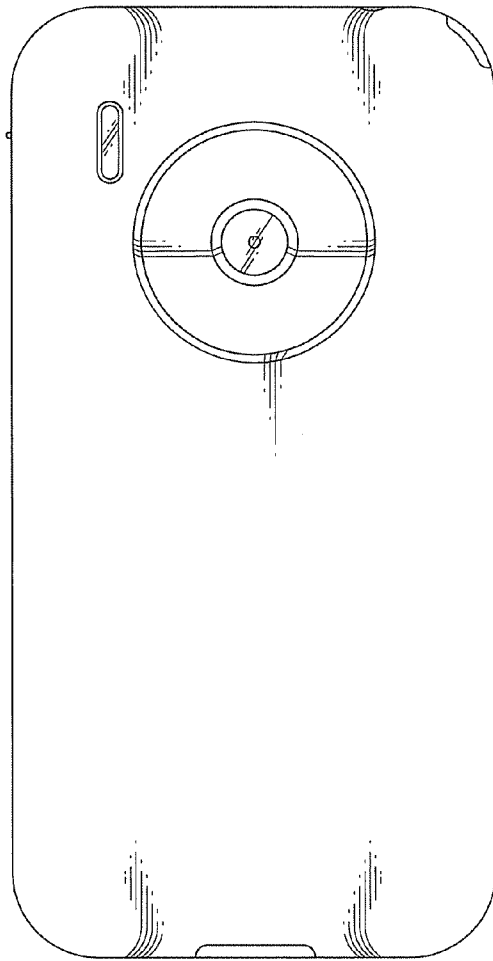


FIG. 4

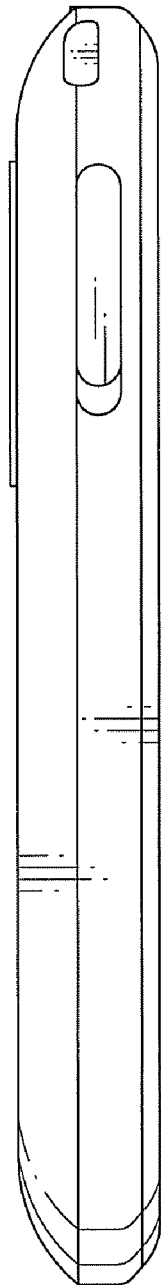


FIG. 5

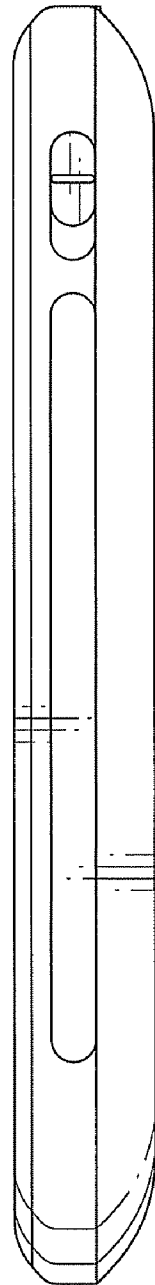


FIG. 6

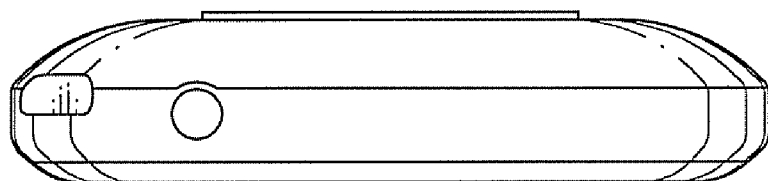


FIG. 7

