

[54] HAND-HELD ELECTRONIC GAME APPARATUS HOUSING

[75] Inventor: Neil Taylor, Alameda, Calif.

[73] Assignee: Atari Corporation, Sunnyvale, Calif.

[**] Term: 14 Years

[21] Appl. No.: 357,591

[22] Filed: May 26, 1989

[52] U.S. Cl. D21/13

[58] Field of Search D21/13, 1, 142; 273/85 G, 85 R, 1 E, DIG. 28

[56] References Cited

U.S. PATENT DOCUMENTS

D. 264,230	5/1982	Hanzawa	D21/13
D. 269,501	6/1983	Sato	D21/13 X
4,249,744	2/1981	Bromley	273/85 G
4,283,049	8/1981	Karlin et al.	273/85 G X
4,391,444	7/1983	Bromley	273/85 G

OTHER PUBLICATIONS

Atari Cat., 1984, p. 28, Tiger Deluxe Football, center right of the page.

Playthings, Feb. 1981, p. 168, center right of the page.

Primary Examiner—Bernard Ansher

Assistant Examiner—Prabhakar Deshmukh

Attorney, Agent, or Firm—Flehr, Hohbach, Test, Albritton & Herbert

[57] CLAIM

The ornamental design for a hand-held electronic game apparatus housing, as shown and described.

DESCRIPTION

FIG. 1 is a perspective view of a hand-held electronic game apparatus housing showing my new design;

FIG. 2 is a top plan view thereof;

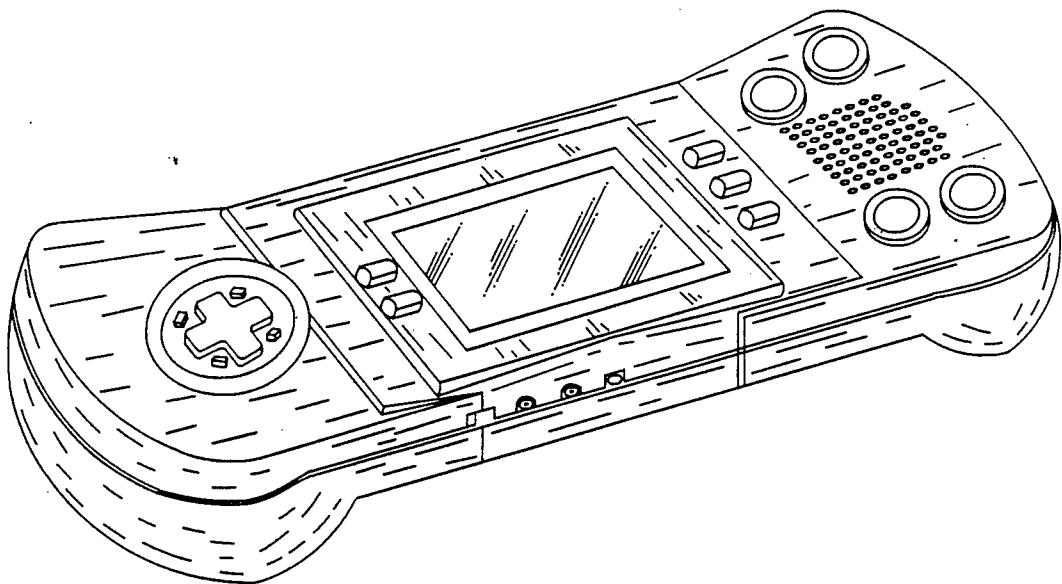
FIG. 3 is a bottom plan view thereof;

FIG. 4 is a right side elevation view thereof;

FIG. 5 is a left side elevation view thereof;

FIG. 6 is a front elevation view thereof; and

FIG. 7 is a rear elevation view thereof.



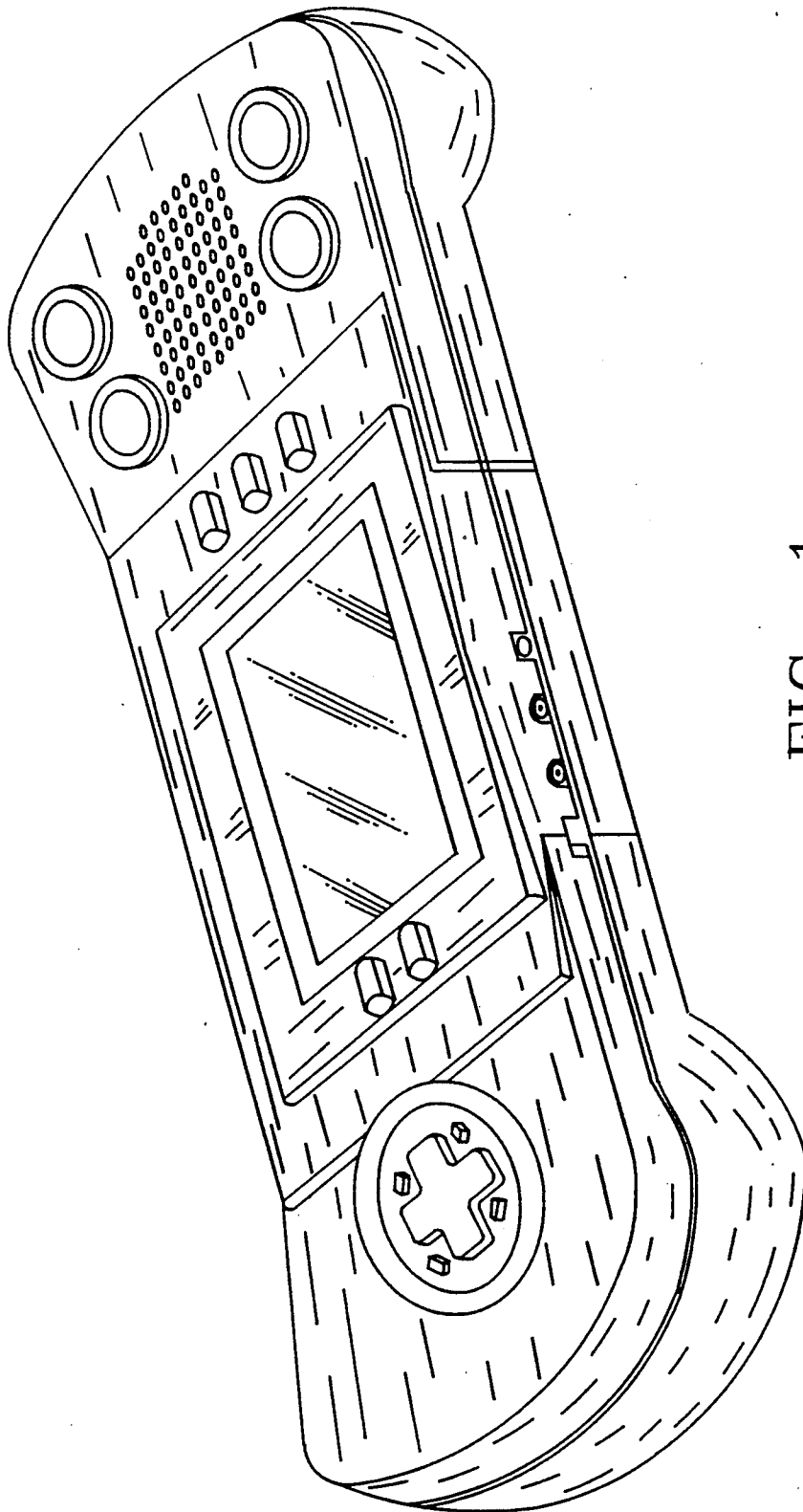


FIG. — 1

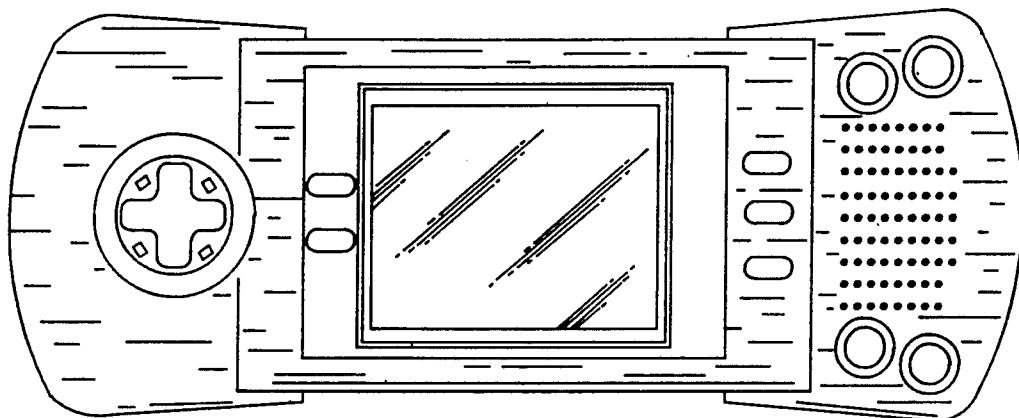


FIG. -2

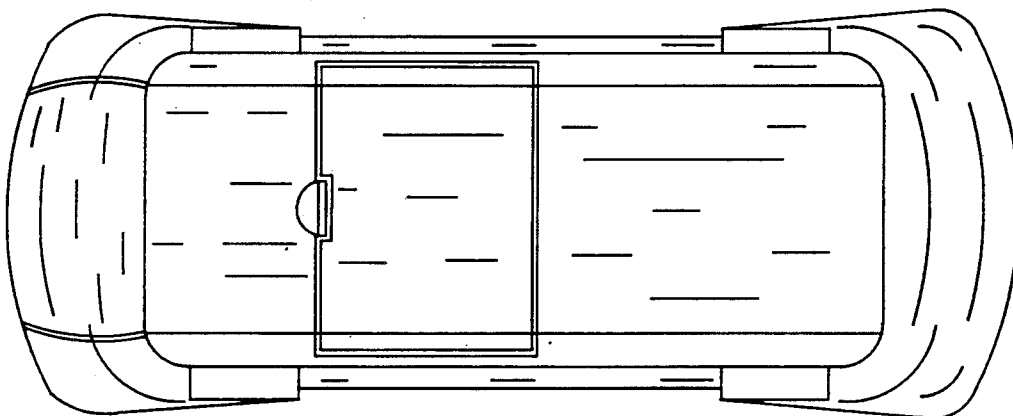


FIG. -3

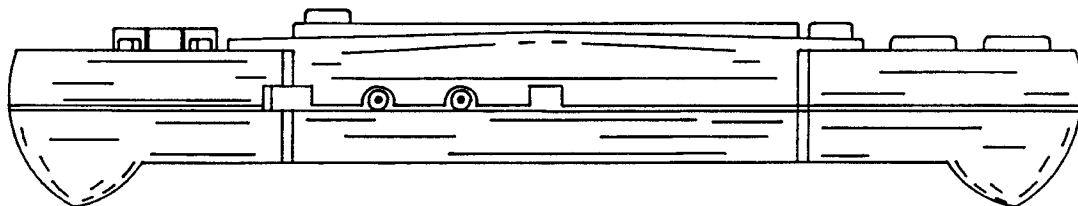


FIG. -4

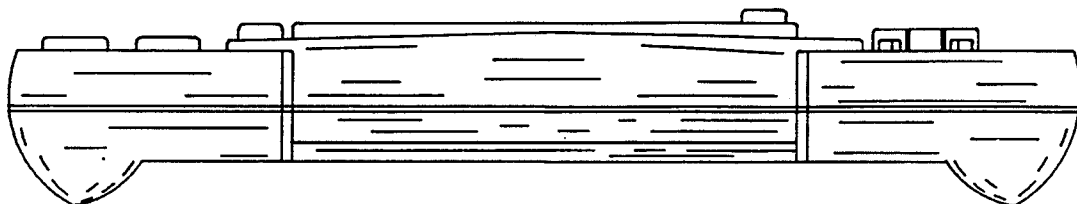


FIG. -5

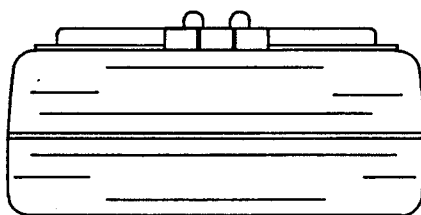


FIG. -6

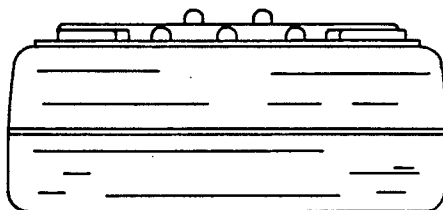


FIG. -7