



US00D997120S

(12) **United States Design Patent**
Lo et al.

(10) **Patent No.:** **US D997,120 S**
(45) **Date of Patent:** **** Aug. 29, 2023**

- (54) **LOUDSPEAKER**
- (71) Applicant: **Harman International Industries, Incorporated**, Northridge, CA (US)
- (72) Inventors: **Jong-Ron Lo**, Shenzhen (CN); **Dario Distefano**, Shenzhen (CN)
- (73) Assignee: **Harman International Industries, Incorporated**, Northridge, CA (US)

- D800,699 S 10/2017 Fischer et al.
- D801,310 S 10/2017 Kachwalla et al.
- D803,813 S 11/2017 Rouffiat et al.
- D805,059 S 12/2017 Fischer et al.
- D811,367 S 2/2018 Vaclavik et al.
- D811,368 S 2/2018 Fischer et al.
- D825,528 S * 8/2018 Huang D14/216

(Continued)

FOREIGN PATENT DOCUMENTS

- CN 304349193 11/2017
- EM 003791219-0001 4/2017

(Continued)

- (**) Term: **15 Years**
- (21) Appl. No.: **29/803,721**

OTHER PUBLICATIONS

Design U.S. Appl. No. 29/667,085, filed Oct. 18, 2018.

(Continued)

- (22) Filed: **Aug. 16, 2021**
- (51) **LOC (14) Cl.** **14-01**
- (52) **U.S. Cl.**
USPC **D14/204**
- (58) **Field of Classification Search**
USPC D14/170-172, 188, 203.1, 203.3, 203.6,
D14/204, 214, 216, 348; D26/51, 104
CPC . H04R 1/02; H04R 1/023; H04R 5/02; H04R
7/00; H04R 7/02; H04R 9/06; H04R
2400/00
See application file for complete search history.

Primary Examiner — Janice Patyk
(74) *Attorney, Agent, or Firm* — Plumsea Law Group, LLC

(57) **CLAIM**

The ornamental design for a loudspeaker, as shown and described.

(56) **References Cited**

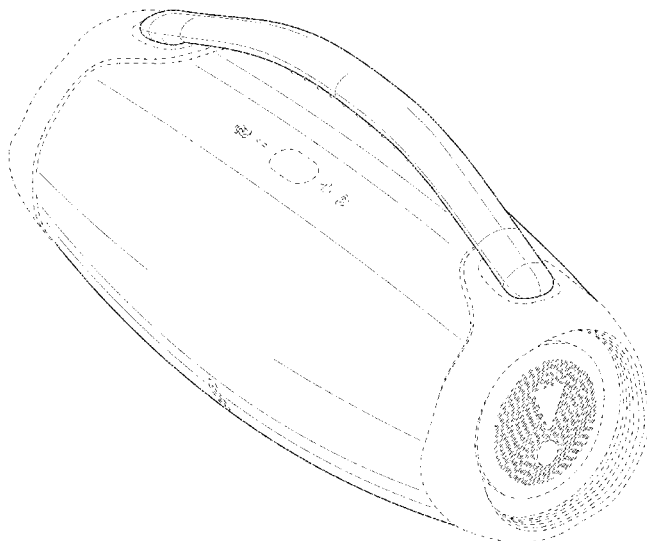
DESCRIPTION

U.S. PATENT DOCUMENTS

- 5,191,177 A * 3/1993 Chi H04R 5/02
181/156
- D606,043 S * 12/2009 Lin D14/216
- D616,862 S * 6/2010 Kung D14/188
- D676,418 S * 2/2013 Suzuki D14/209.1
- D718,279 S 11/2014 Yoon et al.
- D722,595 S 2/2015 Mackiewicz et al.
- D726,684 S 4/2015 Schmiedbauer
- D726,686 S 4/2015 Yoon
- D748,074 S 1/2016 Schmiedbauer
- D748,076 S 1/2016 Yoon
- D750,597 S 3/2016 Fischer et al.
- D759,632 S 6/2016 Fischer
- D798,268 S 9/2017 Fang

FIG. 1 is a top perspective view of a loudspeaker showing the new design;
FIG. 2 is a bottom perspective view thereof;
FIG. 3 is a front elevational view thereof;
FIG. 4 is a rear elevational view thereof;
FIG. 5 is a side elevational view thereof;
FIG. 6 is an opposite side elevational view thereof;
FIG. 7 is a top view thereof; and,
FIG. 8 is a bottom view thereof.
The broken lines in the figures illustrate portions of the design that form no part of the claimed design.

1 Claim, 8 Drawing Sheets



(56)

References Cited

U.S. PATENT DOCUMENTS

D828,323 S	9/2018	Demin et al.	
D831,002 S	10/2018	Distefano et al.	
D835,071 S	12/2018	Channey et al.	
D839,855 S	2/2019	Park et al.	
D845,925 S	4/2019	Bellinghausen et al.	
D849,718 S	5/2019	Park et al.	
D850,510 S *	6/2019	Austin	D16/202
D852,779 S	7/2019	Schmiedbauer	
D854,515 S	7/2019	Fischer et al.	
D860,171 S	9/2019	Schmiedbauer	
D865,705 S	11/2019	Distefano	
D868,022 S	11/2019	Distefano	
D868,033 S	11/2019	Luo	
D868,726 S	12/2019	Kim et al.	
D874,426 S	2/2020	Kim	
D893,456 S	8/2020	Fischer et al.	
D894,871 S	9/2020	Distefano	
D900,764 S *	11/2020	Yi	D14/126
D900,765 S *	11/2020	Yi	D14/126
D906,287 S	12/2020	Waterman et al.	
D909,331 S	2/2021	Sretovic	
D916,046 S	4/2021	Distefano	
D926,721 S	9/2021	Kim	
D929,960 S *	9/2021	Susterman	D14/216
D933,045 S	10/2021	Jin	

FOREIGN PATENT DOCUMENTS

EM	003791219-0002	4/2017
EM	003791219-0003	4/2017
EM	003791219-0004	4/2017
EM	003791219-0005	4/2017
EM	003791219-0006	4/2017
EM	003791219-0007	4/2017
KR	300994861.0000	2/2019
RU	00098697	6/2016
RU	00113625	3/2019
RU	00116673	9/2019

OTHER PUBLICATIONS

JBL Flip 2 Specification Sheet, Harman International Industries, Incorporated, © 2013 (2 pp).
 JBL Flip 4 Specification Sheet, Harman International Industries, Incorporated, © 2017 (2 pp).

JBL Flip 4 Quick Start Guide, Harman International Industries, Incorporated, 2017 (20 pp).
 Design U.S. Appl. No. 29/623,159, filed Oct. 23, 2017.
 JBL Pulse 3 Specification Sheet, Harman International Industries, Incorporated, © 2017 (2 pp).
 Design U.S. Appl. No. 29/674,328, filed Dec. 20, 2018.
 Design U.S. Appl. No. 29/704,391, filed Sep. 4, 2019.
 Design U.S. Appl. No. 29/683,649, filed Mar. 14, 2019.
 Design U.S. Appl. No. 29/719,099, filed Dec. 31, 2019.
 Design U.S. Appl. No. 29/776,237, filed Mar. 29, 2021.
 Design U.S. Appl. No. 29/800,831, filed Jul. 22, 2021.
 Design U.S. Appl. No. 29/734,061, filed May 8, 2020.
 Design U.S. Appl. No. 29/820,469, filed Dec. 22, 2021.
 Design U.S. Appl. No. 29/740,620, filed Jul. 7, 2020.
 “JBL Rolls Out All-in-One Subwoofer and Portable Speaker Subsystem: JBL BassPro Go is the first to market audio system for use both inside and outside the vehicle,” Harman International Industries, Incorporated, webpage, Jan. 4, 2017, 6 pages. Retrieved Jun. 25, 2020 from Internet: <<https://news.harman.com/releases/jblR-rolls-out-all-in-one-subwoofer-and-portable-speaker-subsystem>>.
 JBL Xtreme Specification Sheet, Harman International Industries, Incorporated, 2015, 2 pages.
 JBL Charge 4, date first available: Jun. 30, 2019, [retrieved Jul. 1, 2021], Retrieved from Internet, URL: <https://www.amazon.com/JBL-Portable-Waterproof-Wireless-Bluetooth/dp/B07GWRCZQP/ref=asc_df_B07GWRCZQP?tag=hyprod-20&linkCode=df%E2%80%A6> (Year: 2019).
 JBL Charge 5, date first available: Feb. 22, 2021, [retrieved Jul. 1, 2021], Retrieved from Internet, URL: <<https://www.amazon.com/JBL-CHARGE-Portable-Bluetooth-Waterproof/dp/B08X4YMTPM>> (Year: 2021).
 JBL Xtreme 3, date first available: Nov. 18, 2020, [retrieved Jul. 1, 2021], Retrieved from Internet, URL: <<https://www.amazon.com/JBL-Xtreme-Waterproof-PartyBoost-Multi-Speaker/dp/B08NLPX4CW>> (Year: 2020).
 JBL Charge 4 vs JBLCharge 5, Apr. 27, 2021, [retrieved Jul. 1, 2021], Retrieved from Internet, URL: <<https://www.maxdalton.how/tutorial/jbl-charge-5-vs-jbl-charge-4>> (Year: 2021).
 JBL debuts new Charge 5 Bluetooth speaker . . . , Jan. 7, 2021, [retrieved Jul. 1, 2021], Retrieved from Internet, URL: <<https://www.cnet.com/news/jbl-debuts-new-charge-5-bluetooth-speaker-for-180/>> (Year: 2021).
 New!! JBL Charge 5—Official Product Video, Dec. 27, 2020, [retrieved Jul. 1, 2021], Retrieved from Internet, URL: <<https://www.youtube.com/watch?v=mQqXlbfXrAo>> (Year: 2020).

* cited by examiner

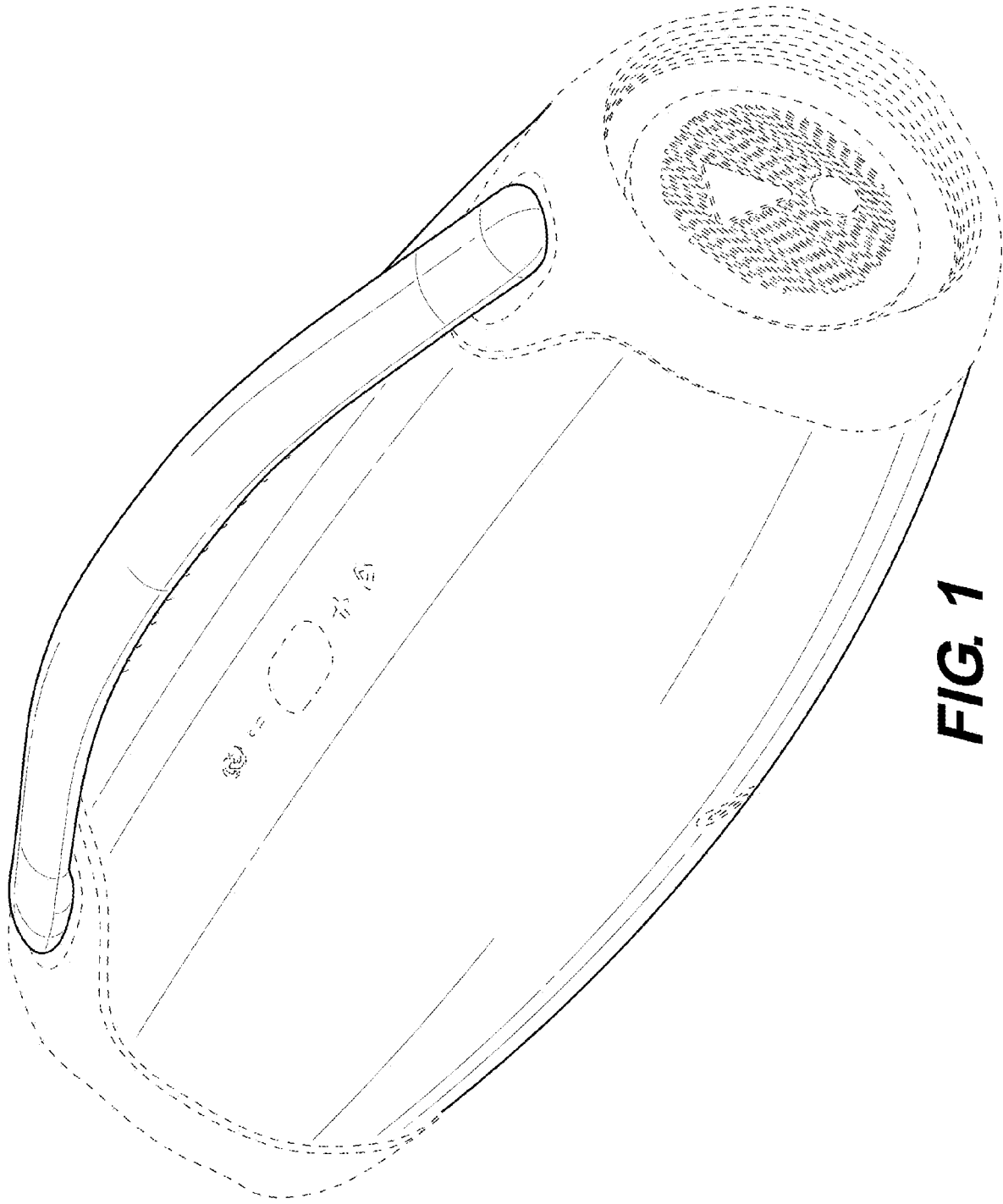


FIG. 1

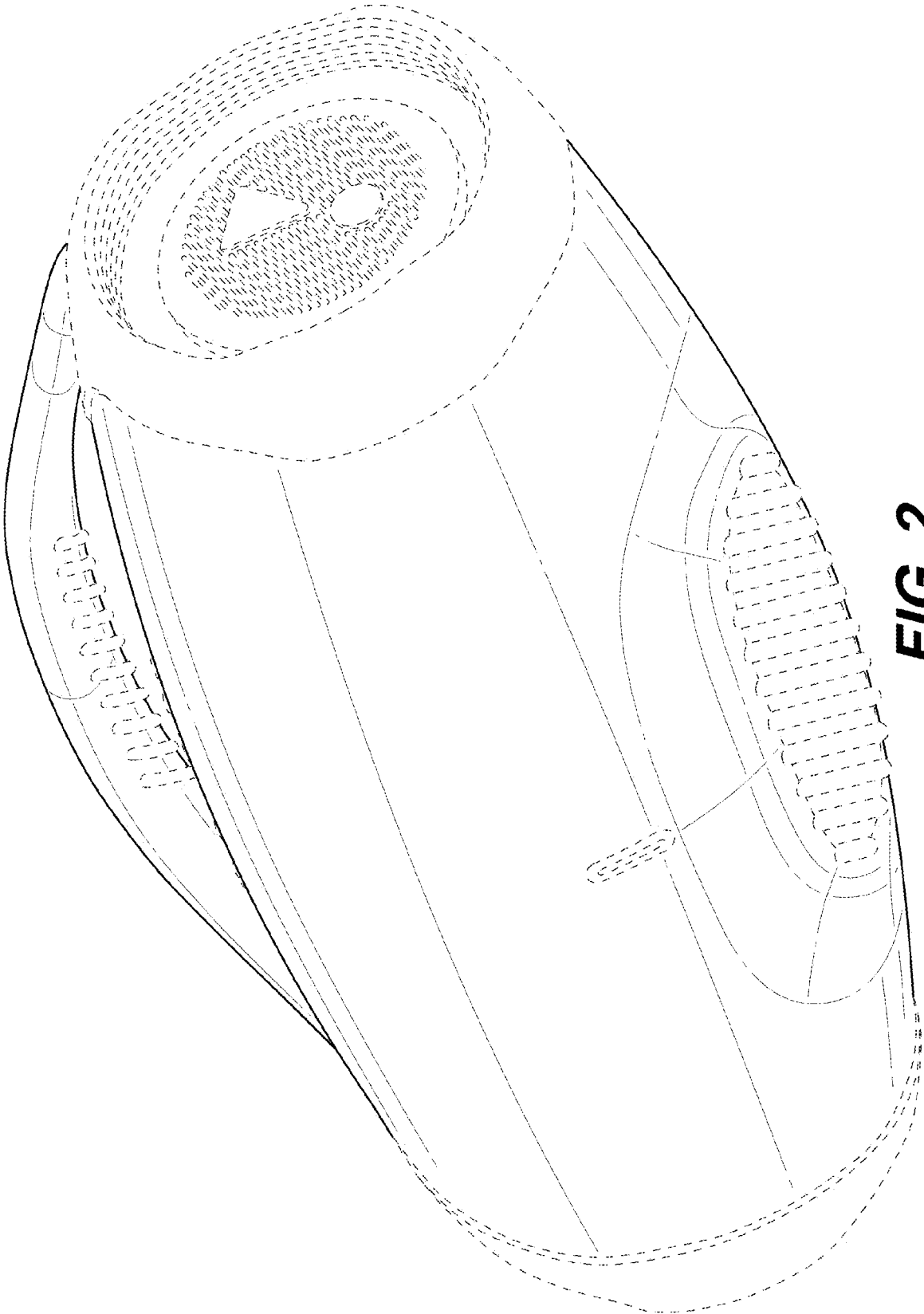


FIG. 2

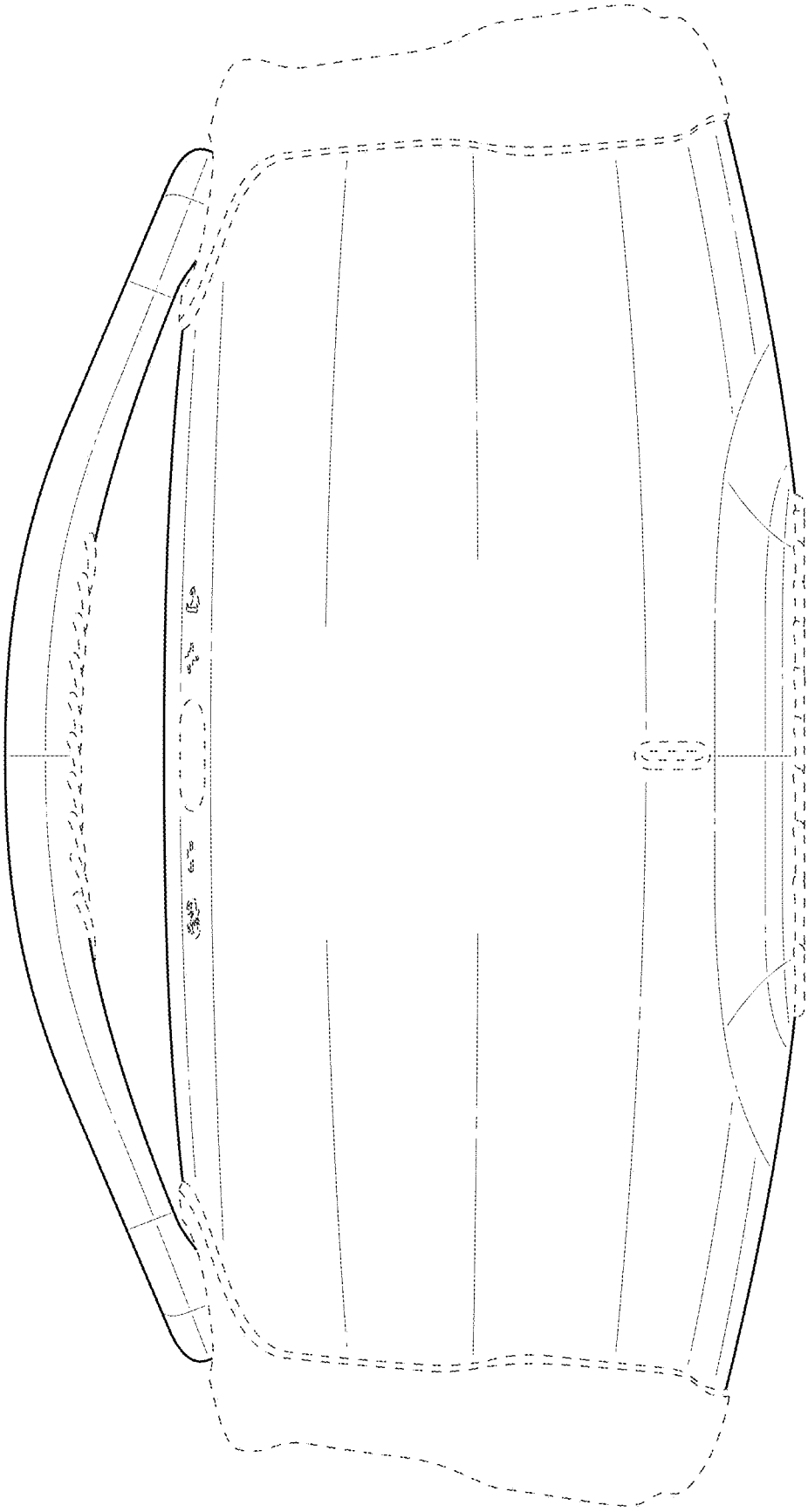


FIG. 3

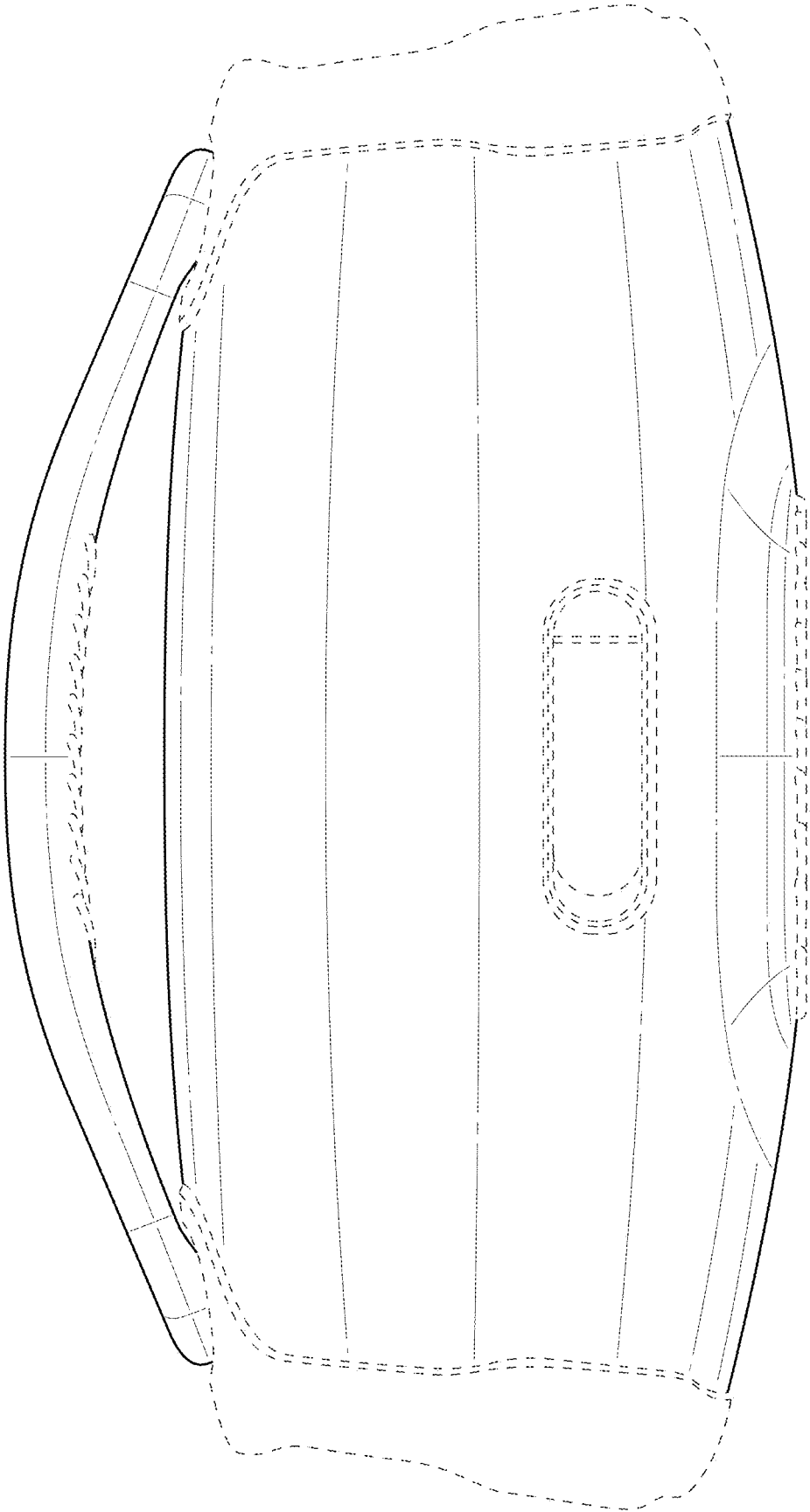


FIG. 4

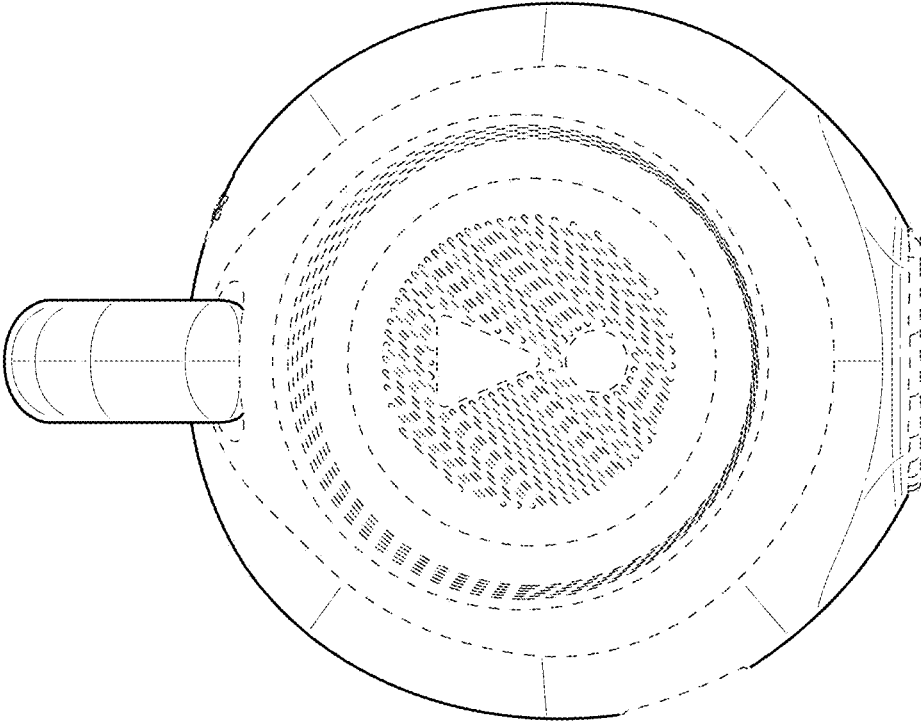


FIG. 5

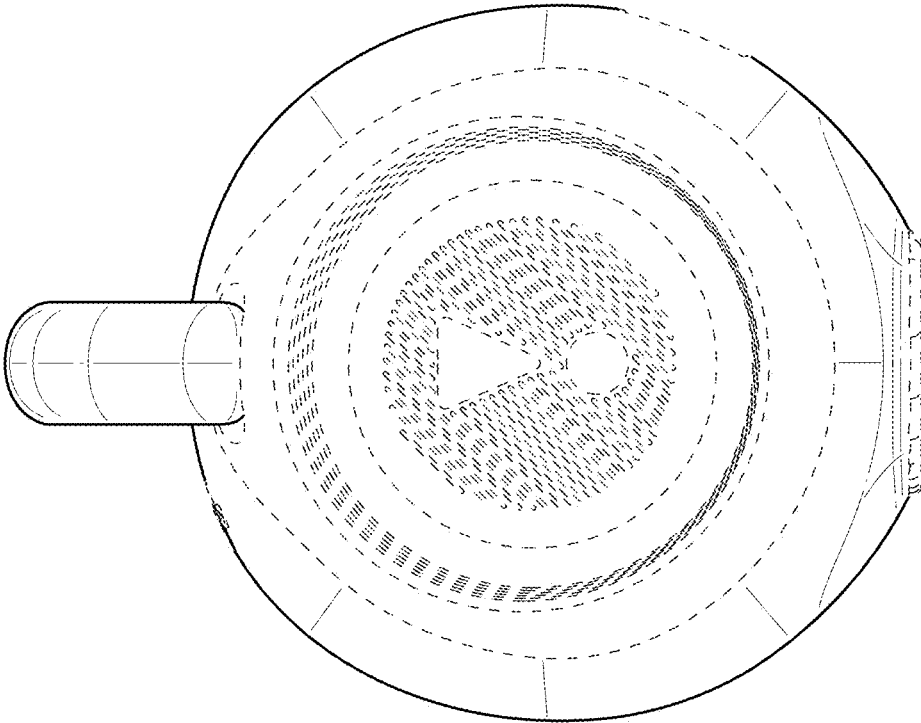


FIG. 6

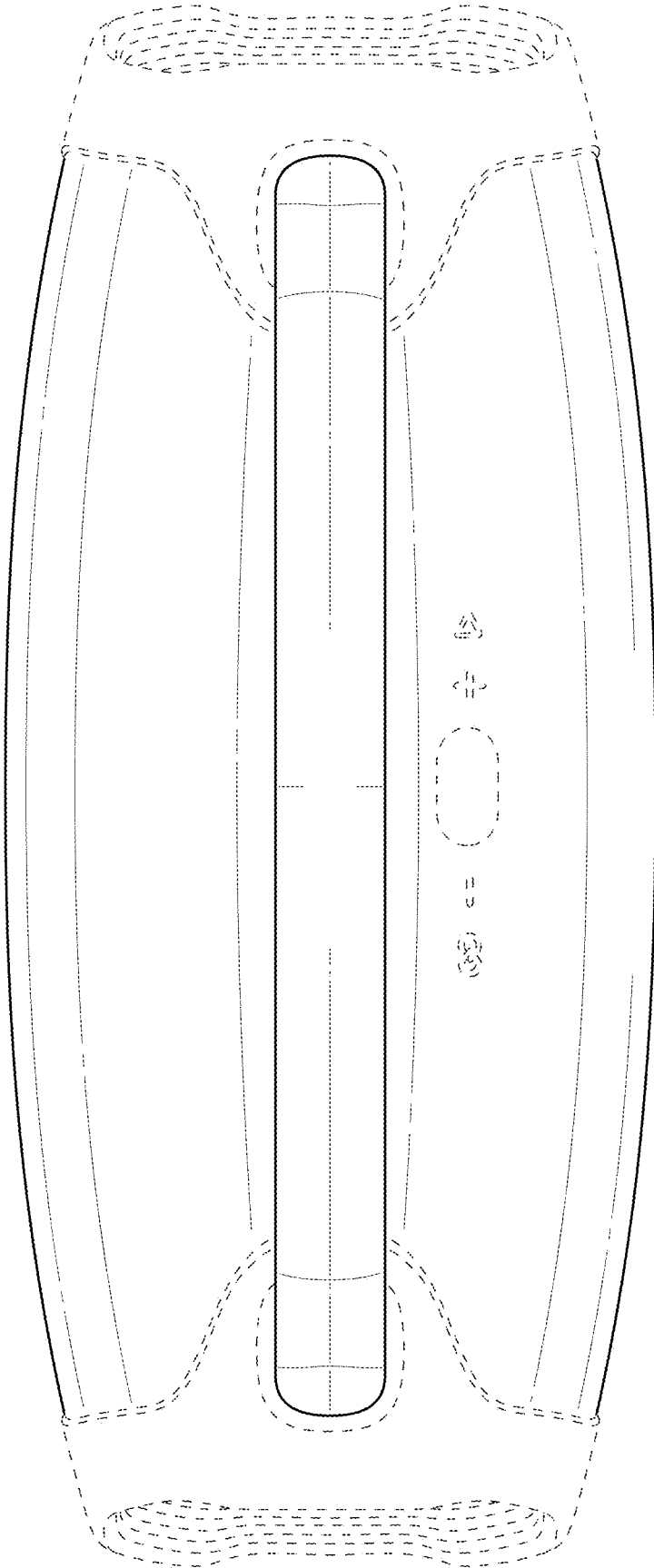


FIG. 7

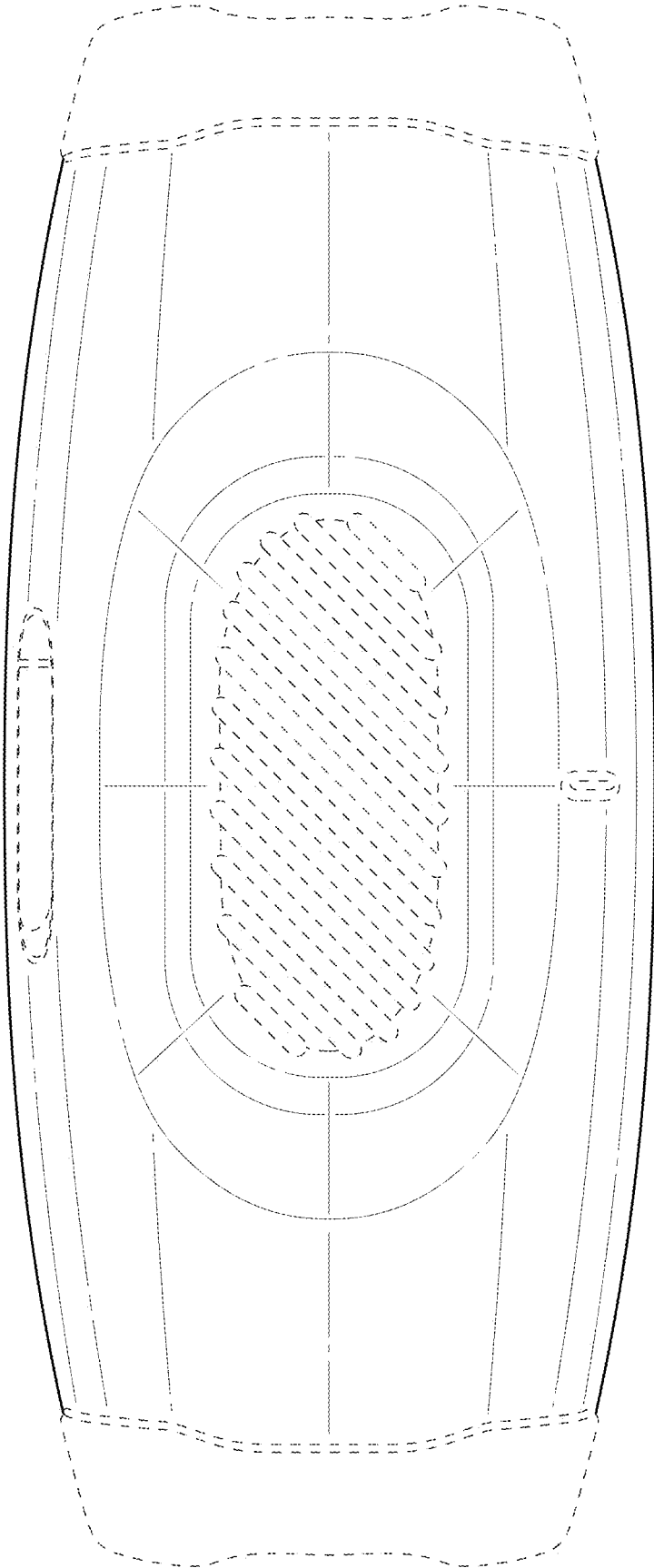


FIG. 8