



(22) **Date de dépôt/Filing Date:** 2015/04/08

(41) **Mise à la disp. pub./Open to Public Insp.:** 2015/10/09

(45) **Date de délivrance/Issue Date:** 2017/02/14

(30) **Priorité/Priority:** 2014/04/09 (US14/249,034)

(51) **Cl.Int./Int.Cl. E21B 29/00** (2006.01)

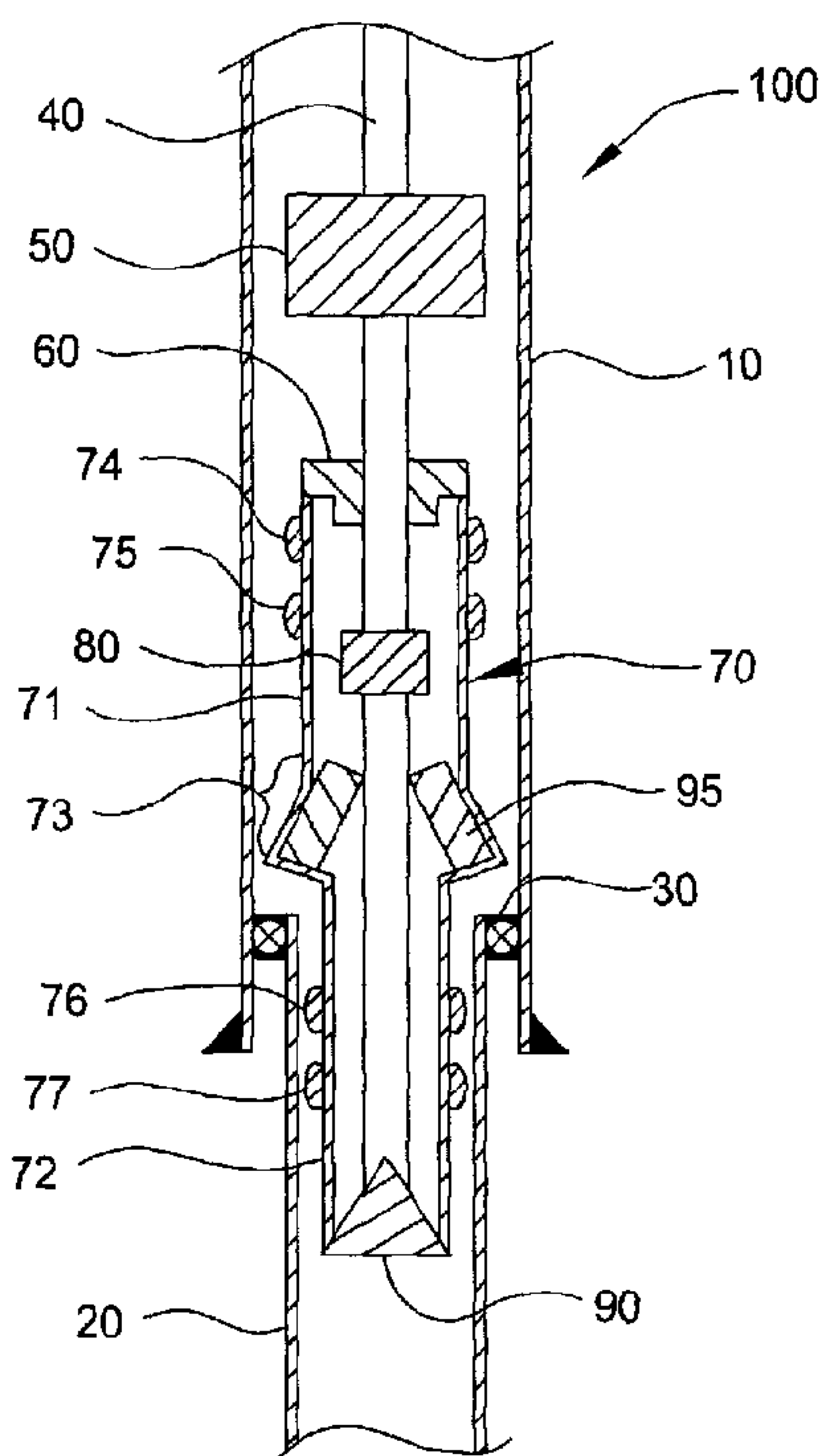
(72) **Inventeur/Inventor:**
GALLOWAY, GREGORY G., US

(73) **Propriétaire/Owner:**
WEATHERFORD TECHNOLOGY HOLDINGS, LLC, US

(74) **Agent:** DEETH WILLIAMS WALL LLP

(54) **Titre : SYSTEME D'ECARTEMENT EXTENSIBLE A DIAMETRE MULTIPLE**

(54) **Title: MULTIPLE DIAMETER EXPANDABLE STRADDLE SYSTEM**



(57) **Abrégé/Abstract:**

A tubular expansion system is configured to expand a tubular in a wellbore. The expansion system may include an expandable tubular having a lower section and an upper section; a first expansion member configured to expand the lower section; and a second expansion member configured to expand the upper section. The upper section may be expanded to have an inner diameter greater than an inner diameter of the expanded lower section. The second expansion member may be engaged and moved by the first expansion member and/or one or more support members to expand the upper section.

