



US00D536922S

(12) **United States Design Patent**
Roth et al.

(10) **Patent No.:** **US D536,922 S**
(45) **Date of Patent:** **** Feb. 20, 2007**

(54) **LID FOR A CONTAINER**

(76) Inventors: **Donna Roth**, 10 Cordage Park Cir.,
Suite 212, Plymouth, MA (US) 02360;
Henry Roth, 10 Cordage Park Cir.,
Suite 212, Plymouth, MA (US) 02360

(**) **Term:** **14 Years**

(21) **Appl. No.:** **29/210,681**

(22) **Filed:** **Aug. 4, 2004**

Related U.S. Application Data

(63) Continuation-in-part of application No. 29/210,423, filed on Jul. 30, 2004, now Pat. No. Des. 527,224, which is a continuation-in-part of application No. 29/210,422, filed on Jul. 30, 2004, which is a continuation-in-part of application No. 29/209,746, filed on Jul. 21, 2004, now Pat. No. Des. 511,435, said application No. 29/210,423, is a continuation-in-part of application No. 29/210,287, filed on Jul. 29, 2004, now Pat. No. Des. 527,954.

(51) **LOC (8) Cl.** **07-02**

(52) **U.S. Cl.** **D7/391**

(58) **Field of Classification Search** D7/317-319,
D7/391-392.1, 396.2, 510-511, 550.1, 601-602,
D7/629; D9/414, 418, 420-425, 428-430,
D9/435, 436, 440-454, 503-504; D3/273,
D3/274; 206/216, 457, 508, 541, 557, 822;
215/200, 211, 224, 243; 220/213, 351-376,
220/601, 669, 674, 675, 700-703, 711-715,
220/719, 783, 789, 790, 796, 797; 229/108,
229/114, 116.1, 120.14, 122.27, 406, 407,
229/902-906, 938; 426/106, 129, 130
See application file for complete search history.

(56) **References Cited**

U.S. PATENT DOCUMENTS

D277,632 S	*	2/1985	Staufenberg	D7/629
D282,044 S	*	1/1986	McClelland	D7/392
D304,658 S		11/1989	Mattei		
5,231,850 A		8/1993	Morris		
5,345,784 A		9/1994	Bazemore et al.		
D384,554 S		10/1997	Ancona et al.		
D388,325 S	*	12/1997	Tucker et al.	D9/425
5,869,120 A		2/1999	Blazevich		

6,022,571 A		2/2000	Blazevich		
6,044,650 A		4/2000	Cook et al.		
D432,858 S	*	10/2000	Hayes et al.	D7/392.1
6,168,813 B1		1/2001	Blazevich		
D440,830 S	*	4/2001	Tucker et al.	D7/629
D443,484 S	*	6/2001	Maxwell et al.	D7/629
D448,991 S	*	10/2001	Zettle et al.	D9/425
D450,983 S	*	11/2001	Tucker et al.	D7/629
6,318,114 B1		11/2001	Slaughter		
D452,146 S		12/2001	Lin		
6,474,494 B1		11/2002	Miller et al.		
6,514,548 B2		2/2003	Lin		
D478,469 S		8/2003	Roth et al.		
6,601,403 B1		8/2003	Roth et al.		
D485,473 S	*	1/2004	Dais et al.	D7/629
D511,435 S	*	11/2005	Roth et al.	D7/392.1
D526,161 S	*	8/2006	Roth et al.	D7/540
D527,951 S	*	9/2006	Roth et al.	D7/540
D527,952 S	*	9/2006	Roth et al.	D7/540

* cited by examiner

Primary Examiner—Cathron C. Brooks
Assistant Examiner—Ricky Pham
(74) *Attorney, Agent, or Firm*—Garcia-Zamor IP Law; Ruy M. Garcia-Zamor

(57) **CLAIM**

We claim a new ornamental design for a lid for a container, as shown and described.

DESCRIPTION

FIG. 1 is a perspective view of a lid for a container according to our new design.
FIG. 2 is a rear elevational view of the lid for a container of FIG. 1, the front elevational view being a mirror image thereof;
FIG. 3 is a top plan view of the lid for a container of FIG. 1;
FIG. 4 is a left side elevational view of the lid for a container of FIG. 1;
FIG. 5 is a bottom plan view of the lid for a container of FIG. 1; and,
FIG. 6 is a right side elevational view of the lid for a container of FIG. 1.
The dashed lines in FIGS. 1-6 represent environment and are for illustrative purposes only and do not constitute part of the claimed design.

1 Claim, 3 Drawing Sheets

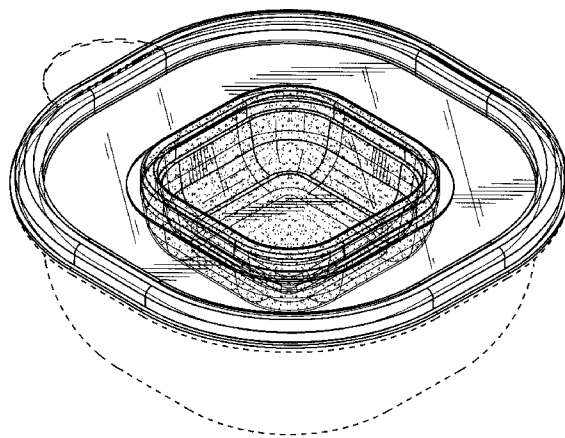


FIG. 1

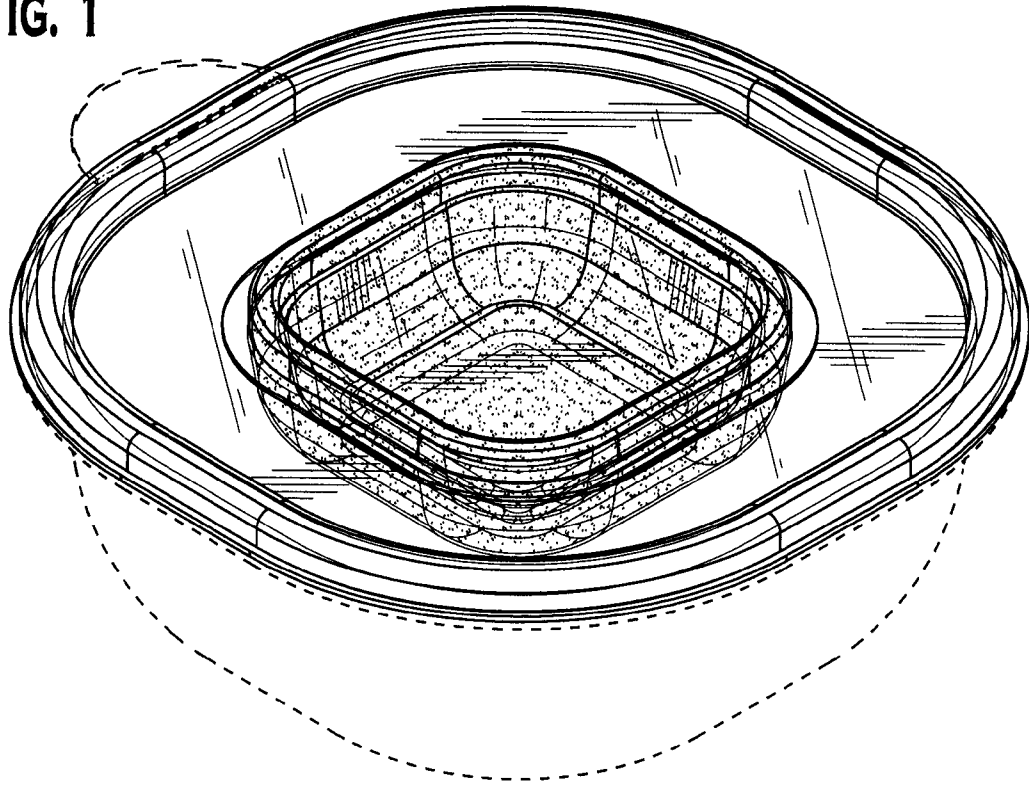


FIG. 2

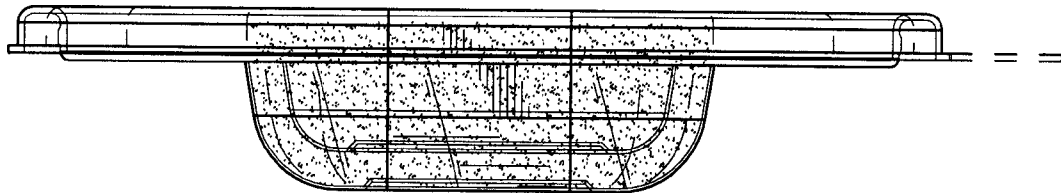


FIG. 3

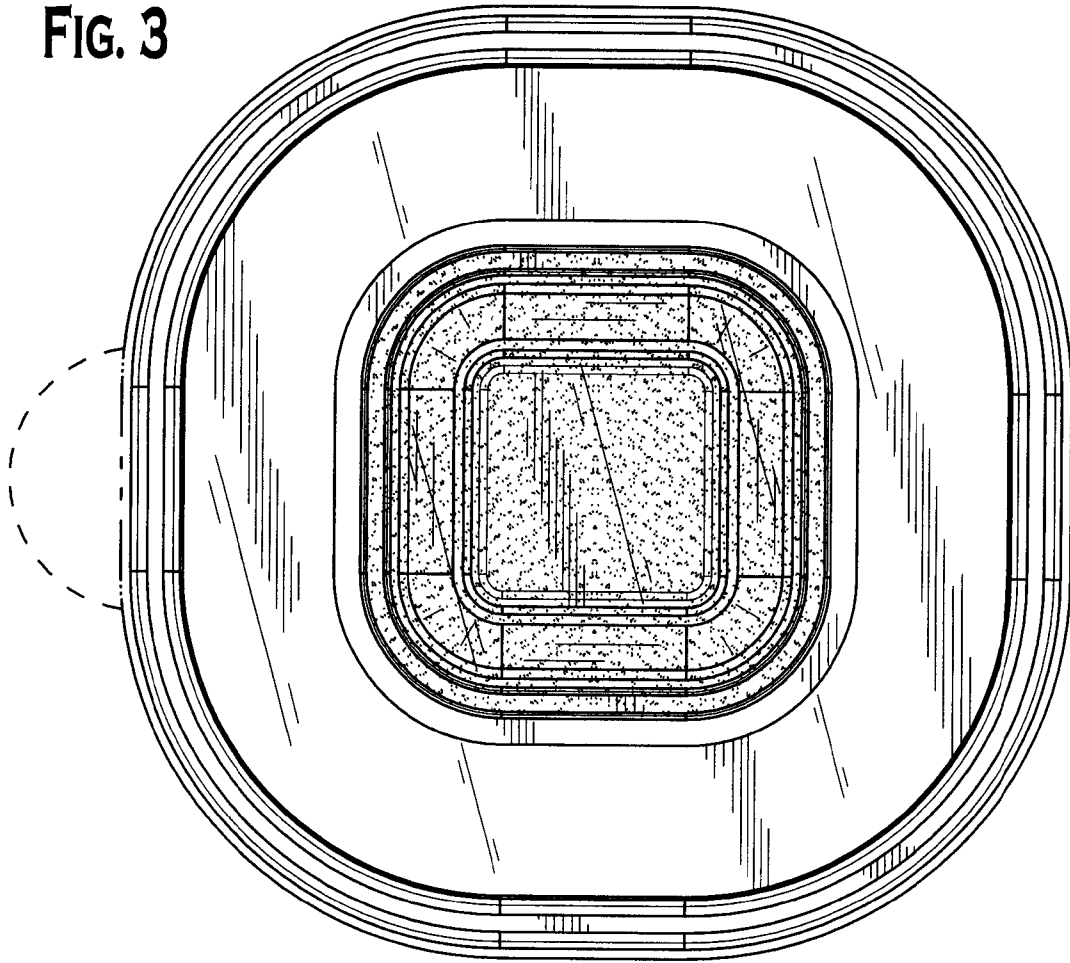


FIG. 4

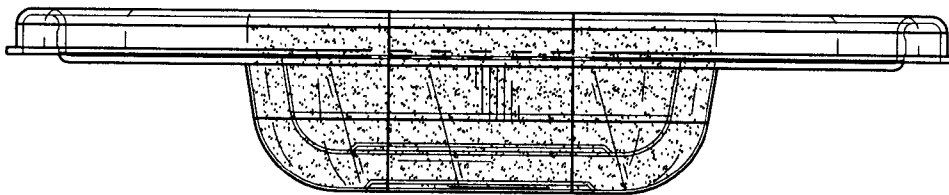


FIG. 5

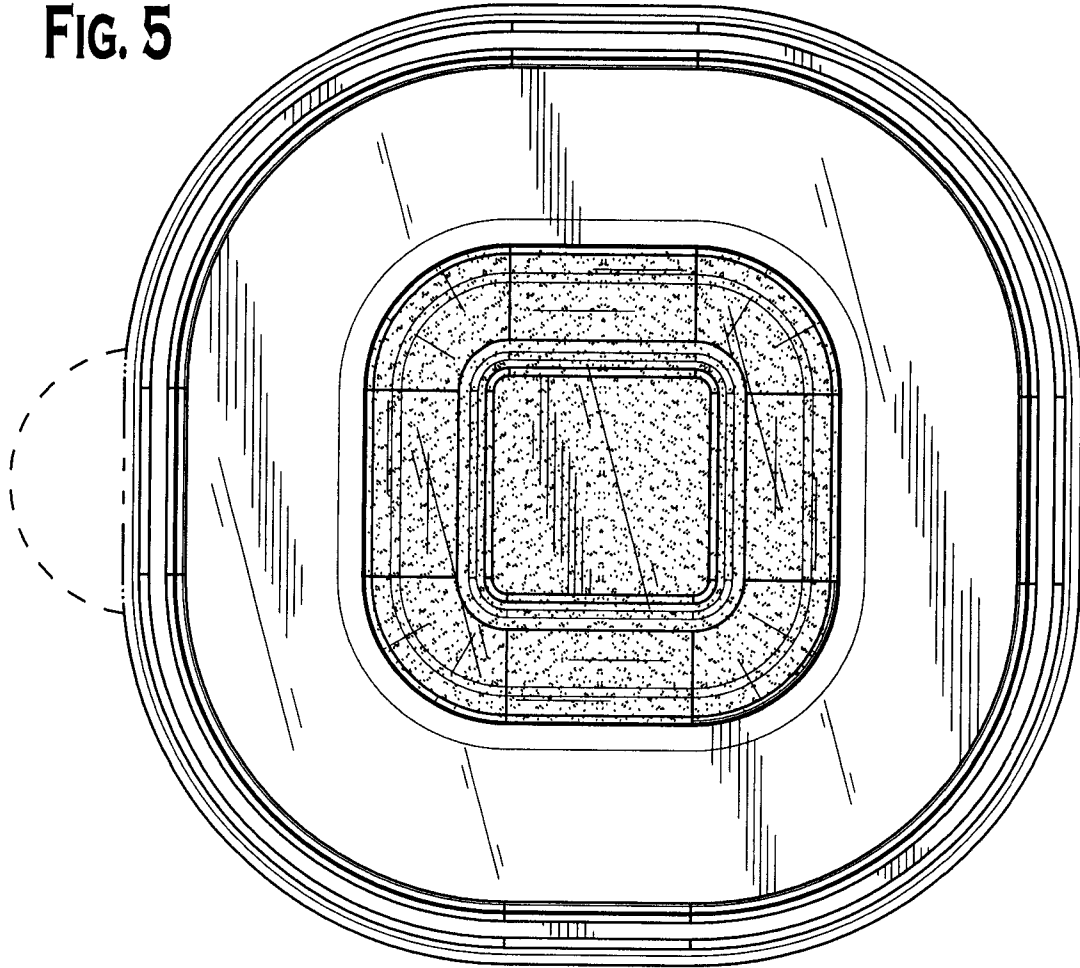


FIG. 6

