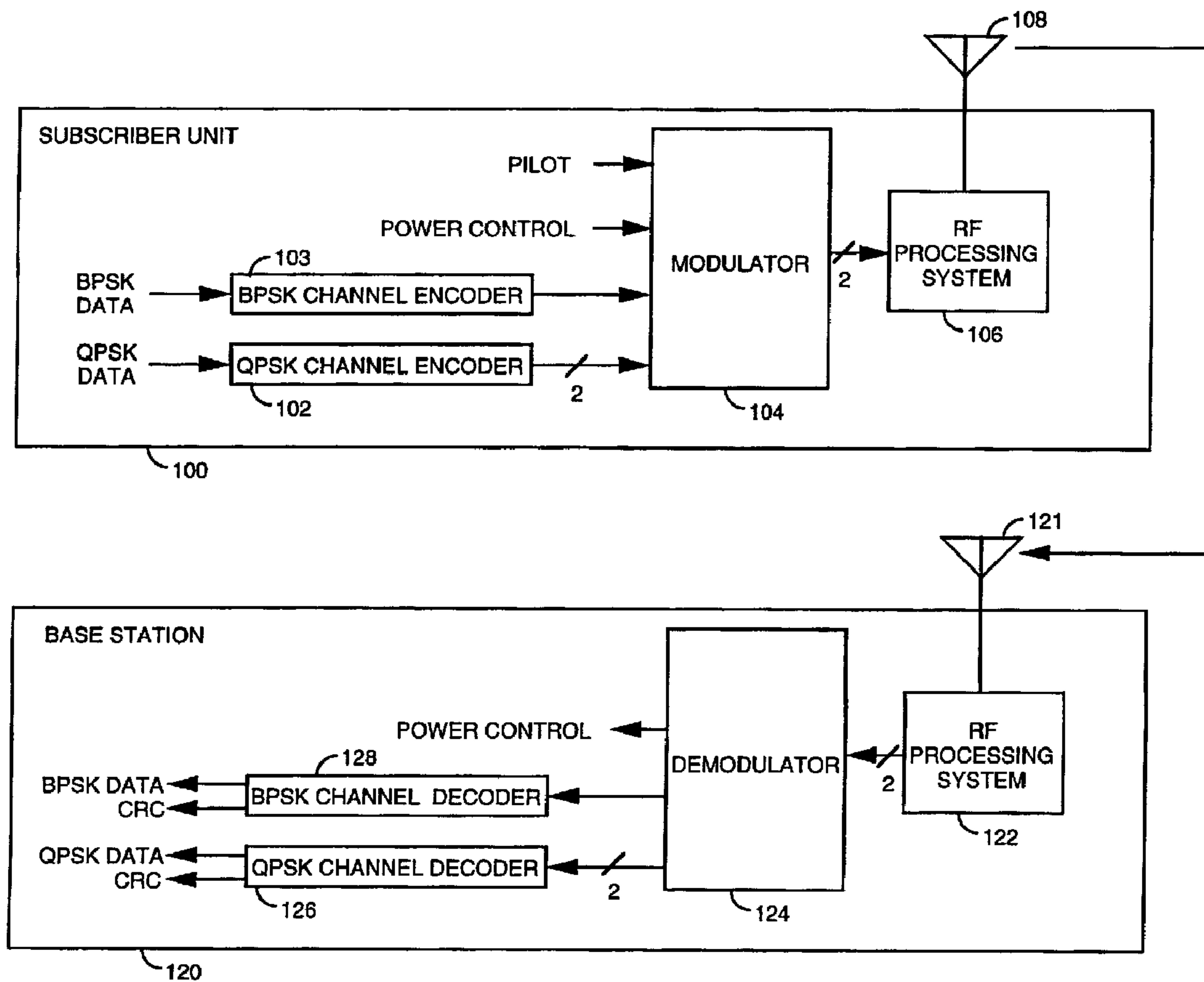




(86) Date de dépôt PCT/PCT Filing Date: 1997/05/28  
 (87) Date publication PCT/PCT Publication Date: 1997/12/04  
 (45) Date de délivrance/Issue Date: 2006/10/10  
 (85) Entrée phase nationale/National Entry: 1998/11/25  
 (86) N° demande PCT/PCT Application No.: US 1997/009606  
 (87) N° publication PCT/PCT Publication No.: 1997/045970  
 (30) Priorité/Priority: 1996/05/28 (US08/654,443)

(51) Cl.Int./Int.Cl. *H04Q 7/22* (2006.01),  
*H04J 13/00* (2006.01), *H04B 7/26* (2006.01),  
*H04L 1/00* (2006.01)  
 (72) Inventeurs/Inventors:  
 TIEDMANN, EDWARD G., JR., US;  
 JOU, YU-CHEUN, US;  
 ODENWALDER, JOSEPH P., US  
 (73) Propriétaire/Owner:  
 QUALCOMM INCORPORATED, US  
 (74) Agent: SMART & BIGGAR

(54) Titre : SYSTEME DE COMMUNICATION SANS FIL AMDC A FLUX DE DONNEES A HAUT DEBIT  
 (54) Title: HIGH DATA RATE CDMA WIRELESS COMMUNICATION SYSTEM



(57) Abrégé/Abstract:

A method and apparatus for high rate CDMA wireless communication in which a set of individually gain adjusted subscriber channels are formed via the use of a set of orthogonal subchannel codes ( $W_i$ ) having a small number of PN spreading chips per

**(57) Abrégé(suite)/Abstract(continued):**

orthogonal waveform period. Data to be transmitted via one of the transmit channels is low code rate error correction encoded (134) and sequence repeated before being modulated with one of the subchannel codes, gain adjusted (152, 154, 156, 158), and summed (160) with data modulated using the other subchannel codes. The resulting summed data is modulated using a user long code and a pseudorandom spreading code (PN code) and upconverted for transmission.



PCT

WORLD INTELLECTUAL PROPERTY ORGANIZATION  
International Bureau

INTERNATIONAL APPLICATION PUBLISHED UNDER THE PATENT COOPERATION TREATY (PCT)

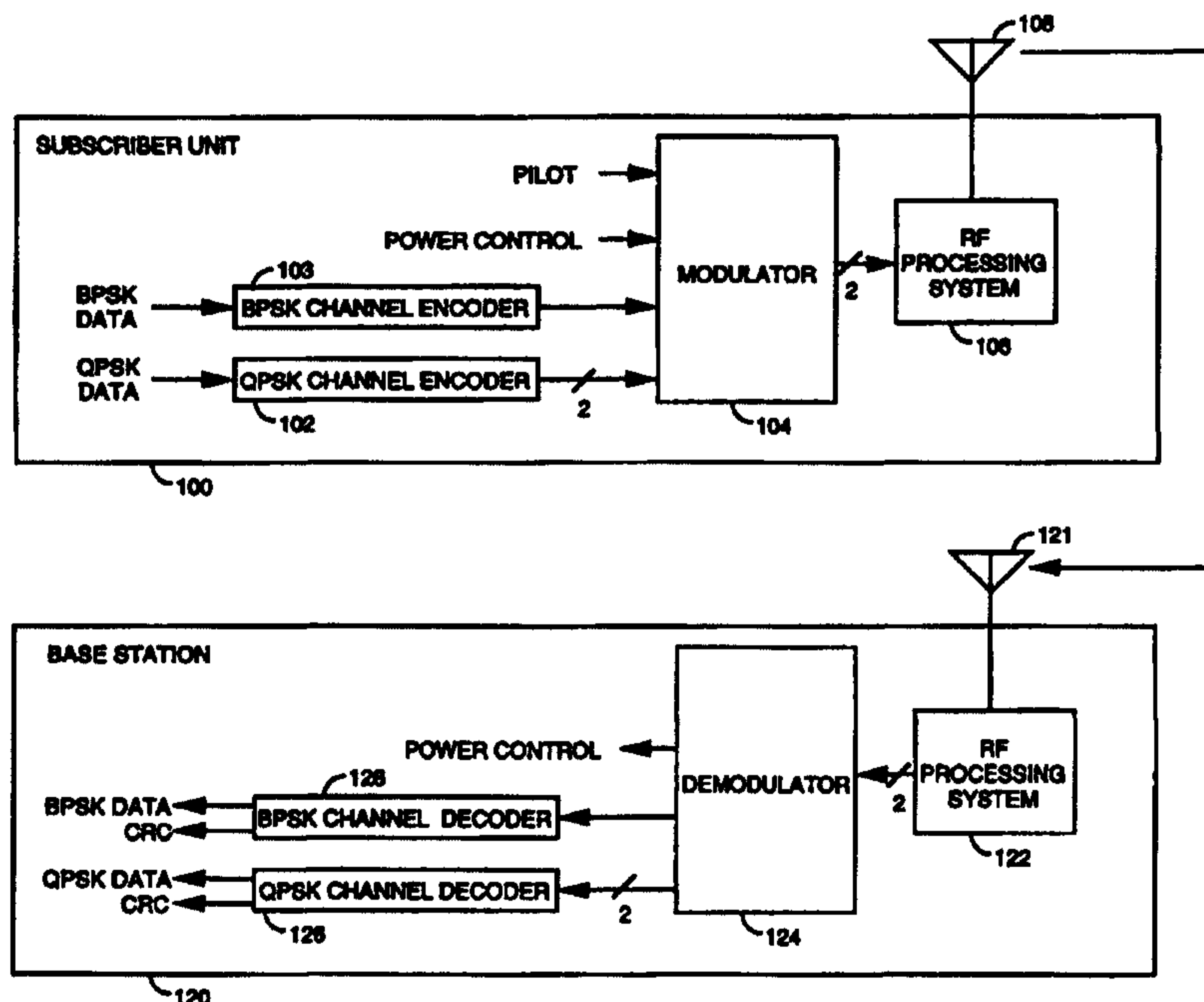
<p>(51) International Patent Classification <sup>6</sup> : <b>H04B 7/26</b></p>	<p><b>A1</b></p>	<p>(11) International Publication Number: <b>WO 97/45970</b> (43) International Publication Date: 4 December 1997 (04.12.97)</p>
---	------------------	--

(21) International Application Number: PCT/US97/09606  
 (22) International Filing Date: 28 May 1997 (28.05.97)  
 (30) Priority Data:  
 654,443 28 May 1996 (28.05.96) US  
 (71) Applicant: QUALCOMM INCORPORATED [US/US]; 6455 Lusk Boulevard, San Diego, CA 92121 (US).  
 (72) Inventors: ODENWALDER, Joseph, P.; 14967 Rancho Real, Del Mar, CA 92014 (US). JOU, Yu-Chen; 9979 Riverhead Drive, San Diego, CA 92129 (US). TIEDEMANN, Edward, G., Jr.; 4350 Bromfield Avenue, San Diego, CA 92122 (US).  
 (74) Agents: MILLER, Russell, B. et al.; Qualcomm Incorporated, 6455 Lusk Boulevard, San Diego, CA 92121 (US).

(81) Designated States: AL, AM, AT, AU, AZ, BA, BB, BG, BR, BY, CA, CH, CN, CU, CZ, DE, DK, EE, ES, FI, GB, GE, HU, IL, IS, JP, KE, KG, KP, KR, KZ, LC, LK, LR, LS, LT, LU, LV, MD, MG, MK, MN, MW, MX, NO, NZ, PL, PT, RO, RU, SD, SE, SG, SI, SK, TJ, TM, TR, TT, UA, UG, UZ, VN, ARIPO patent (GH, KE, LS, MW, SD, SZ, UG), Eurasian patent (AM, AZ, BY, KG, KZ, MD, RU, TJ, TM), European patent (AT, BE, CH, DE, DK, ES, FI, FR, GB, GR, IE, IT, LU, MC, NL, PT, SE), OAPI patent (BF, BJ, CF, CG, CI, CM, GA, GN, ML, MR, NE, SN, TD, TG).

**Published**  
 With international search report.  
 Before the expiration of the time limit for amending the claims and to be republished in the event of the receipt of amendments.

(54) Title: SUBSCRIBER UNIT FOR CDMA WIRELESS COMMUNICATION SYSTEM



(57) Abstract

A method and apparatus for high rate CDMA wireless communication in which a set of individually gain adjusted subscriber channels are formed via the use of a set of orthogonal subchannel codes ( $W_i$ ) having a small number of PN spreading chips per orthogonal waveform period. Data to be transmitted via one of the transmit channels is low code rate error correction encoded (134) and sequence repeated before being modulated with one of the subchannel codes, gain adjusted (152, 154, 156, 158), and summed (160) with data modulated using the other subchannel codes. The resulting summed data is modulated using a user long code and a pseudorandom spreading code (PN code) and upconverted for transmission.

## SUBSCRIBER UNIT FOR CDMA WIRELESS COMMUNICATION SYSTEM

## BACKGROUND OF THE INVENTION

5

## I. Field of the Invention

The present invention relates to communications. More particularly, the present invention relates to a novel and improved method and apparatus for high data rate CDMA wireless communication.

10

## II. Description of the Related Art

Wireless communication systems including cellular, satellite and point to point communication systems use a wireless link comprised of a modulated radio frequency (RF) signal to transmit data between two systems. The use of a wireless link is desirable for a variety of reasons including increased mobility and reduced infrastructure requirements when compared to wire line communication systems. One drawback of using a wireless link is the limited amount of communication capacity that results from the limited amount of available RF bandwidth. This limited communication capacity is in contrast to wire based communication systems where additional capacity can be added by installing additional wire line connections.

15

20

Recognizing the limited nature of RF bandwidth, various signal processing techniques have been developed for increasing the efficiency with which wireless communication systems utilize the available RF bandwidth. One widely accepted example of such a bandwidth efficient signal processing technique is the IS-95 over the air interface standard and its derivatives such as IS-95-A (referred to hereafter collectively as the IS-95 standard) promulgated by the telecommunication industry association (TIA) and used primarily within cellular telecommunications systems. The IS-95 standard incorporates code division multiple access (CDMA) signal modulation techniques to conduct multiple communications simultaneously over the same RF bandwidth. When combined with comprehensive power control, conducting multiple communications over the same bandwidth increases the total number of calls and other

25

30

35

communications that can be conducted in a wireless communication system by, among other things, increasing the frequency reuse in comparison to other wireless telecommunication technologies. The use of CDMA techniques in a multiple access communication system is disclosed in U.S. Patent No. 4,901,307, entitled "SPREAD SPECTRUM COMMUNICATION SYSTEM USING SATELLITE OR TERRESTRIAL REPEATERS" and which issued February 13, 1990, and U.S. Patent No. 5,103,459, entitled "SYSTEM AND METHOD FOR GENERATING SIGNAL WAVEFORMS IN A CDMA CELLULAR TELEPHONE SYSTEM" and which issued April 7, 1992.

Fig. 1 provides a highly simplified illustration of a cellular telephone system configured in accordance with the use of the IS-95 standard. During operation, a set of subscriber units 10a - d conduct wireless communication by establishing one or more RF interfaces with one or more base stations 12a - d using CDMA modulated RF signals. Each RF interface between a base station 12 and a subscriber unit 10 is comprised of a forward link signal transmitted from the base station 12, and a reverse link signal transmitted from the subscriber unit. Using these RF interfaces, a communication with another user is generally conducted by way of mobile telephone switching office (MTSO) 14 and public switch telephone network (PSTN) 16. The links between base stations 12, MTSO 14 and PSTN 16 are usually formed via wire line connections, although the use of additional RF or microwave links is also known.

In accordance with the IS-95 standard each subscriber unit 10 transmits user data via a single channel, non-coherent, reverse link signal at a maximum data rate of 9.6 or 14.4 kbits/sec depending on which rate set from a set of rate sets is selected. A non-coherent link is one in which phase information is not utilized by the received system. A coherent link is one in which the receiver exploits knowledge of the carrier signals phase during processing. The phase information typically takes the form of a pilot signal, but can also be estimated from the data transmitted. The IS-95 standard calls for a set of sixty four Walsh codes, each comprised of sixty four chips, to be used for the forward link.

The use of a single channel, non-coherent, reverse link signal having a maximum data rate of 9.6 of 14.4 kbits/sec as specified by IS-95 is well suited for a wireless cellular telephone system in which the typical communication involves the transmission of digitized voice or lower rate

digital data such a facsimile. A non-coherent reverse link was selected because, in a system in which up to 80 subscriber units 10 may communicate with a base station 12 for each 1.2288 MHz of bandwidth allocated, providing the necessary pilot data in the transmission from each subscriber unit 10  
5 would substantially increase the degree to which a set of subscriber units 10 interfere with one another. Also, at data rates of 9.6 or 14.4 kbits/sec, the ratio of the transmit power of any pilot data to the user data would be significant, and therefore also increase inter-subscriber unit interference. The use of a single channel reverse link signal was chosen because engaging  
10 in only one type of communication at a time is consistent with the use of wireline telephones, the paradigm on which current wireless cellular communications is based. Also, the complexity of processing a single channel is less than that associated with processing multiple channels.

As digital communications progress, the demand for wireless  
15 transmission of data for applications such as interactive file browsing and video teleconferencing is anticipated to increase substantially. This increase will transform the way in which wireless communications systems are used, and the conditions under which the associated RF interfaces are conducted. In particular, data will be transmitted at higher maximum rates and with a  
20 greater variety of possible rates. Also, more reliable transmission may become necessary as errors in the transmission of data are less tolerable than errors in the transmission of audio information. Additionally, the increased number of data types will create a need to transmit multiple types of data simultaneously. For example, it may be necessary to exchange a data file  
25 while maintaining an audio or video interface. Also, as the rate of transmission from a subscriber unit increases the number of subscriber units 10 communicating with a base station 12 per amount of RF bandwidth will decrease, as the higher data transmission rates will cause the data processing capacity of the base station to be reached with fewer subscriber units 10. In  
30 some instances, the current IS-95 reverse link may not be ideally suited for all these changes. Therefore, the present invention is related to providing a higher data rate, bandwidth efficient, CDMA interface over which multiple types of communication can be performed.

## SUMMARY OF THE INVENTION

A novel and improved method and apparatus for high rate CDMA wireless communication is described. In accordance with one embodiment  
5 of the invention, a set of individually gain adjusted subscriber channels are formed via the use of a set of orthogonal subchannel codes having a small number of PN spreading chips per orthogonal waveform period. Data to be transmitted via one of the transmit channels is low code rate error correction encoded and sequence repeated before being modulated with one  
10 of the subchannel codes, gain adjusted, and summed with data modulated using the other subchannel codes. The resulting summed data is modulated using a user long code and a pseudorandom spreading code (PN code) and upconverted for transmission. The use of the short orthogonal codes provides interference suppression while still allowing extensive error  
15 correction coding and repetition for time diversity to overcome the Raleigh fading commonly experienced in terrestrial wireless systems. In the exemplary embodiment of the invention provided, the set of sub-channel codes are comprised of four Walsh codes, each orthogonal to the remaining set and four chips in duration. The use of four sub-channels is preferred as  
20 it allows shorter orthogonal codes to be used, however, the use of a greater number of channels and therefore longer codes is consistent with the invention.

In a preferred exemplary embodiment of the invention, pilot data is transmitted via a first one of the transmit channels and power control data  
25 transmitted via a second transmit channel. The remaining two transmit channels are used for transmitting non-specified digital data including user data or signaling data, or both. In the exemplary embodiment, one of the two non-specified transmit channels is configured for BPSK modulation and the other for QPSK modulation. This is done to illustrate the versatility of  
30 the system. Both channels could be BPSK modulated or QPSK modulated in alternative embodiments of the invention. Before modulation, the non-specified data is encoded where that encoding includes cyclic redundancy check (CRC) generation, convolutional encoding, interleaving, selective sequence repeating and BPSK or QPSK mapping. By varying the amount of  
35 repeating performed, and not restricting the amount of repeating to an integer number of symbol sequences, a wide variety of transmission rates including high data rates can be achieved. Furthermore, higher data rates

74769-147

5

can also be achieved by transmitting data simultaneously over both non-specified transmit channels. Also, by frequently updating the gain adjust performed on each transmit channel, the total transmit power used by the transmit system may be kept to a minimum such that the interference generated between multiple transmit system is minimized, thereby increasing the overall system capacity.

In accordance with a first broad aspect, the invention provides a method for generating data for transmission from a subscriber unit to a base station, the method comprising: modulating each of a plurality of channel encoded data with an associated code to produce a plurality of streams of modulated symbols; combining the plurality of streams of modulated symbols into at least one combined stream; and complex multiplying said at least one combined stream with a complex pseudonoise code.

In accordance with a second broad aspect, the invention provides an apparatus for generating data for transmission from a subscriber unit to a base station, the apparatus comprising: means for modulating each of a plurality of channel encoded data with an associated code to produce a plurality of streams of modulated symbols; means for combining the plurality of streams of modulated symbols into at least one combined stream; and means for complex multiplying said at least one combined stream with a complex pseudonoise code.

In accordance with a third broad aspect, the invention provides a method for demodulating a received signal comprising: complex multiplying the received signal by a complex pseudonoise code to produce a complex



74769-147

5a

pseudonoise despread signal; filtering the complex  
pseudonoise despread signal to provide a complex filtered  
pilot signal; multiplying the complex pseudonoise despread  
signal by a first demodulation code to provide a first  
5 complex demodulated data signal; and phase rotating and  
scaling the first complex demodulated data signal in  
accordance with the complex filtered pilot signal to provide  
a first soft decision data.

In accordance with a fourth broad aspect, the  
10 invention provides an apparatus for demodulating a received  
signal comprising: means for complex multiplying the  
received signal by a complex pseudonoise code to produce a  
complex pseudonoise despread signal; means for filtering the  
complex pseudonoise despread signal to provide a complex  
15 filtered pilot signal; means for multiplying the complex  
pseudonoise despread signal by a first demodulation code to  
provide a first complex demodulated data signal; and means  
for phase rotating and scaling the first complex demodulated  
data signal in accordance with the complex filtered pilot  
20 signal to provide a first soft decision data.

#### BRIEF DESCRIPTION OF THE DRAWINGS

The features, objects, and advantages of the  
present invention will become more apparent from the  
detailed description set forth below when taken in  
25 conjunction with the drawings in which like reference  
characters identify correspondingly throughout and wherein:

**Fig. 1** is a block diagram of cellular telephone  
system;

**Fig. 2** is a block diagram of a subscriber unit and  
30 base station configured in accordance with the exemplary  
embodiment of the invention;

74769-147

5b

**Fig. 3** is a block diagram of a BPSK channel encoder and a QPSK channel encoder configured in accordance with the exemplary embodiment of the invention;

**Fig. 4** is a block diagram of a transmit signal processing system configured in accordance with the exemplary embodiment of the invention;

**Fig. 5** is a block diagram of a receive processing system configured in accordance with the exemplary embodiment of the invention;

**Fig. 6** is a block diagram of a finger processing system configured in accordance with one embodiment of the invention; and

**Fig. 7** is a block diagram of a BPSK channel decoder and a QPSK channel decoder configured in accordance with the exemplary embodiment of the invention.

#### **DETAILED DESCRIPTION OF THE PREFERRED EMBODIMENTS**

A novel and improved method and apparatus for high rate CDMA wireless communication is described in the context of the reverse link transmission portion of a cellular telecommunications system. While the

invention is particularly adapted for use within the multipoint-to-point reverse link transmission of a cellular telephone system, the present invention is equally applicable to forward link transmissions. In addition, many other wireless communication systems will benefit by incorporation  
5 of the invention, including satellite based wireless communication systems, point to point wireless communication systems, and systems transmitting radio frequency signals via the use of co-axial or other broadband cables.

Fig. 2 is a block diagram of receive and transmit systems configured as a subscriber unit 100 and a base station 120 in accordance with one  
10 embodiment of the invention. A first set of data (BPSK data) is received by BPSK channel encoder 103, which generates a code symbol stream configured for performing BPSK modulation that is received by modulator 104. A second set of data (QPSK data) is received by QPSK channel encoder 102, which generates a code symbol stream configured for performing QPSK  
15 modulation that is also received by modulator 104. Modulator 104 also receives power control data and pilot data, which are modulated along with the BPSK and QPSK encoded data in accordance with code division multiple access (CDMA) techniques to generate a set of modulation symbols received by RF processing system 106. RF processing system 106 filters and  
20 upconverts the set of modulation symbols to a carrier frequency for transmission to the base station 120 using antenna 108. While only one subscriber unit 100 is shown, multiple subscriber units communicate with base station 120 in the preferred embodiment.

Within base station 120, RF processing system 122 receives the  
25 transmitted RF signals by way of antenna 121 and performs bandpass filtering, downconversion to baseband, and digitization. Demodulator 124 receives the digitized signals and performs demodulation in accordance with CDMA techniques to produce power control, BPSK, and QPSK soft decision data. BPSK channel decoder 128 decodes the BPSK soft decision  
30 data received from demodulator 124 to yield a best estimate of the BPSK data, and QPSK channel decoder 126 decodes the QPSK soft decision data received by demodulator 124 to produce a best estimate of the QPSK data. The best estimate of first and second set of data is then available for further processing or forwarding to a next destination, and the received power  
35 control data used either directly, or after decoding, to adjust the transmit power of the forward link channel used to transmit data to subscriber unit 100.

Fig. 3 is a block diagram of BPSK channel encoder 103 and QPSK channel encoder 102 when configured in accordance with the exemplary embodiment of the invention. Within BPSK channel encoder 103 the BPSK data is received by CRC check sum generator 130 which generates a check sum for each 20 ms frame of the first set of data. The frame of data along with the CRC check sum is received by tail bit generator 132 which appends tail bits comprised of eight logic zeros at the end of each frame to provide a known state at the end of the decoding process. The frame including the code tail bits and CRC check sum is then received by convolutional encoder 134 which performs, constraint length (K) 9, rate (R) 1/4 convolutional encoding thereby generating code symbols at a rate four times the encoder input rate ( $E_R$ ). In the alternative embodiment of the invention, other encoding rates are performed including rate 1/2, but the use of rate 1/4 is preferred due to its optimal complexity-performance characteristics. Block interleaver 136 performs bit interleaving on the code symbols to provide time diversity for more reliable transmission in fast fading environments. The resulting interleaved symbols are received by variable starting point repeater 138, which repeats the interleaved symbol sequence a sufficient number of times  $N_R$  to provide a constant rate symbol stream, which corresponds to outputting frames having a constant number of symbols. Repeating the symbol sequence also increases the time diversity of the data to overcome fading. In the exemplary embodiment, the constant number of symbols is equal to 6,144 symbols for each frame making the symbol rate 307.2 kilosymbols per second (ksps). Also, repeater 138 uses a different starting point to begin the repetition for each symbol sequence. When the value of  $N_R$  necessary to generate 6,144 symbols per frame is not an integer, the final repetition is only performed for a portion of the symbol sequence. The resulting set of repeated symbols are received by BPSK mapper 139 which generates a BPSK code symbol stream (BPSK) of +1 and -1 values for performing BPSK modulation. In an alternative embodiment of the invention repeater 138 is placed before block interleaver 136 so that block interleaver 136 receives the same number of symbols for each frame.

Within QPSK channel encoder 102 the QPSK data is received by CRC check sum generator 140 which generates a check sum for each 20 ms frame. The frame including the CRC check sum is received by code tail bits generator 142 which appends a set of eight tail bits of logic zeros at the end of the frame. The frame, now including the code tail bits and CRC check sum,

is received by convolutional encoder 144 which performs  $K=9$ ,  $R=1/4$  convolutional encoding thereby generating symbols at a rate four times the encoder input rate ( $E_R$ ). Block interleaver 146 performs bit interleaving on the symbols and the resulting interleaved symbols are received by variable starting point repeater 148. Variable starting point repeater 148 repeats the interleaved symbol sequence a sufficient number of times  $N_R$  using a different starting point within the symbol sequence for each repetition to generate 12,288 symbols for each frame making the code symbol rate 614.4 kilosymbols per second (ksps). When  $N_R$  is not an integer, the final repetition is performed for only a portion of the symbol sequence. The resulting repeated symbols are received by QPSK mapper 149 which generates a QPSK code symbol stream configured for performing QPSK modulation comprised of an in-phase QPSK code symbol stream of +1 and -1 values (QPSK<sub>I</sub>), and a quadrature-phase QPSK code symbol stream of +1 and -1 values (QPSK<sub>Q</sub>). In an alternative embodiment of the invention repeater 148 is placed before block interleaver 146 so that block interleaver 146 receives the same number of symbols for each frame.

Fig. 4 is a block diagram of modulator 104 of Fig. 2 configured in accordance with the exemplary embodiment of the invention. The BPSK symbols from BPSK channel encoder 103 are each modulated by Walsh code  $W_2$  using a multiplier 150b, and the QPSK<sub>I</sub> and QPSK<sub>Q</sub> symbols from QPSK channel encoder 102 are each modulated with Walsh code  $W_3$  using multipliers 150c and 154d. The power control data (PC) is modulated by Walsh code  $W_1$  using multiplier 150a. Gain adjust 152 receives pilot data (PILOT), which in the preferred embodiment of the invention is comprised of the logic level associated with positive voltage, and adjusts the amplitude according to a gain adjust factor  $A_0$ . The PILOT signal provides no user data but rather provides phase and amplitude information to the base station so that it can coherently demodulate the data carried on the remaining sub-channels, and scale the soft-decision output values for combining. Gain adjust 154 adjusts the amplitude of the Walsh code  $W_1$  modulated power control data according to gain adjust factor  $A_1$ , and gain adjust 156 adjusts the amplitude of the Walsh code  $W_2$  modulated BPSK channel data according to amplification variable  $A_2$ . Gain adjust 158a and b adjust the amplitude of the in-phase and quadrature-phase Walsh code  $W_3$  modulated QPSK symbols respectively according to gain adjust factor  $A_3$ . The four

Walsh codes used in the preferred embodiment of the invention are shown in Table I.

Walsh Code	Modulation Symbols
$W_0$	+ + + +
$W_1$	+ - + -
$W_2$	+ + - -
$W_3$	+ - - +

5

**Table I.**

It will be apparent to one skilled in the art that the  $W_0$  code is effectively no modulation at all, which is consistent with processing of the pilot data shown. The power control data is modulated with the  $W_1$  code, the BPSK data with the  $W_2$  code, and the QPSK data with the  $W_3$  code. Once modulated with the appropriate Walsh code, the pilot, power control data, and BPSK data are transmitted in accordance with BPSK techniques, and the QPSK data ( $QPSK_I$  and  $QPSK_Q$ ) in accordance with QPSK techniques as described below. It should also be understood that it is not necessary that every orthogonal channel be used, and that the use of only three of the four Walsh codes where only one user channel is provided is employed in an alternative embodiment of the invention.

The use of short orthogonal codes generates fewer chips per symbol, and therefore allows for more extensive coding and repetition when compared to systems incorporating the use of longer Walsh codes. This more extensive coding and repetition provides protection against Rayleigh fading which is a major source of error in terrestrial communication systems. The use of other numbers of codes and code lengths is consistent with the present invention, however, the use of a larger set of longer Walsh codes reduces this enhanced protection against fading. The use of four chip codes is considered optimal because four channels provides substantial flexibility for the transmission of various types of data as illustrated below while also maintaining short code length.

Summer 160 sums the resulting amplitude adjusted modulation symbols from gain adjusts 152, 154, 156 and 158a to generate summed

30

modulation symbols 161. PN spreading codes  $PN_I$  and  $PN_Q$  are spread via multiplication with long code 180 using multipliers 162a and b. The resulting pseudorandom code provided by multipliers 162a and 162b are used to modulate the summed modulation symbols 161, and gain adjusted quadrature-phase symbols QPSK<sub>Q</sub> 163, via complex multiplication using multipliers 164a-d and summers 166a and b. The resulting in-phase term  $X_I$  and quadrature-phase term  $X_Q$  are then filtered (filtering not shown), and upconverted to the carrier frequency within RF processing system 106 shown in a highly simplified form using multipliers 168 and an in-phase and a quadrature-phase sinusoid. An offset QPSK upconversion could also be used in an alternative embodiment of the invention. The resulting in-phase and quadrature-phase upconverted signals are summed using summer 170 and amplified by master amplifier 172 according to master gain adjust  $A_M$  to generate signal  $s(t)$  which is transmitted to base station 120. In the preferred embodiment of the invention, the signal is spread and filtered to a 1.2288 MHz bandwidth to remain compatible with the bandwidth of existing CDMA channels.

By providing multiple orthogonal channels over which data may be transmitted, as well as by using variable rate repeaters that reduce the amount of repeating  $N_R$  performed in response to high input data rates, the above described method and system of transmit signal processing allows a single subscriber unit or other transmit system to transmit data at a variety of data rates. In particular, by decreasing the rate of repetition  $N_R$  performed by variable starting point repeaters 138 or 148 of FIG. 3, an increasingly higher encoder input rate  $E_R$  can be sustained. In an alternative embodiment of the invention rate 1/2 convolution encoding is performed with the rate of repetition  $N_R$  increased by two. A set of exemplary encoder rates  $E_R$  supported by various rates of repetition  $N_R$  and encoding rates  $R$  equal to 1/4 and 1/2 for the BPSK channel and the QPSK channel are shown in Tables II and III respectively.

Label	$E_R$ ,BPSK (bps)	Encoder Out R=1/4 (bits/frame)	$N_R$ ,R=1/4 (Repetition Rate, R=1/4)	Encoder Out R=1/2 (bits/frame)	$N_R$ ,R=1/2 (Repetition Rate, R=1/2)
High Rate-72	76,800	6,144	1	3,072	2
High Rate-64	70,400	5,632	1 1/11	2,816	2 2/11
	51,200	4,096	1 1/2	2,048	3
High Rate-32	38,400	3,072	2	1,536	4
	25,600	2,048	3	1,024	6
RS2-Full Rate	14,400	1,152	5 1/3	576	10 2/3
RS1-Full Rate	9,600	768	8	384	16
NULL	850	68	90 6/17	34	180 12/17

Table II. BPSK Channel

5

Label	$E_R$ ,QPSK (bps)	Encoder Out R=1/4 (bits/frame)	$N_R$ ,R=1/4 (Repetition Rate, R=1/4)	Encoder Out R=1/2 (bits/frame)	$N_R$ ,R=1/2 (Repetition Rate, R=1/2)
	153,600	12,288	1	6,144	2
High Rate-72	76,800	6,144	2	3,072	4
High Rate-64	70,400	5,632	2 2/11	2,816	4 4/11
	51,200	4,096	3	2,048	6
High Rate-32	38,400	3,072	4	1,536	8
	25,600	2,048	6	1,024	12
RS2-Full Rate	14,400	1,152	10 2/3	576	21 1/3
RS1-Full Rate	9,600	768	16	384	32
NULL	850	68	180 12/17	34	361 7/17

Table III. QPSK Channel

10 Tables II and III show that by adjusting the number of sequence repetitions  $N_R$ , a wide variety of data rates can be supported including high data rates, as the encoder input rate  $E_R$  corresponds to the data transmission rate minus a constant necessary for the transmission of CRC, code tail bits and any other overhead information. As also shown by tables II and III, QPSK modulation may also be used to increase the data transmission rate.



Rates expected to be used commonly are provided labels such as "High Rate-72" and "High Rate-32." Those rates noted as High Rate-72, High Rate-64, and High Rate-32 have traffic rates of 72, 64 and 32 kbps respectively, plus multiplexed in signaling and other control data with rates of 3.6, 5.2, and 5.2 kbps respectively, in the exemplary embodiment of the invention. Rates RS1-Full Rate and RS2-Full Rate correspond to rates used in IS-95 compliant communication systems, and therefore are also expected to receive substantial use for purposes of compatibility. The null rate is the transmission of a single bit and is used to indicate a frame erasure, which is also part of the IS-95 standard.

The data transmission rate may also be increased by simultaneously transmitting data over two or more of the multiple orthogonal channels performed either in addition to, or instead of, increasing the transmission rate via reduction of the repetition rate  $N_R$ . For example, a multiplexer (not shown) could split a single data source into a multiple data sources to be transmitted over multiple data sub-channels. Thus, the total transmit rate can be increased via either transmission over a particular channel at higher rates, or multiple transmission performed simultaneously over multiple channels, or both, until the signal processing capability of the receive system is exceeded and the error rate becomes unacceptable, or the maximum transmit power of the of the transmit system power is reached.

Providing multiple channels also enhances flexibility in the transmission of different types of data. For example, the BPSK channel may be designated for voice information and the QPSK channel designated for transmission of digital data. This embodiment could be more generalized by designating one channel for transmission of time sensitive data such as voice at a lower data rate, and designating the other channel for transmission of less time sensitive data such as digital files. In this embodiment interleaving could be performed in larger blocks for the less time sensitive data to further increase time diversity. In another embodiment of the invention, the BPSK channel performs the primary transmission of data, and the QPSK channel performs overflow transmission. The use of orthogonal Walsh codes eliminates or substantially reduces any interference among the set of channels transmitted from a subscriber unit, and thus minimizes the transmit energy necessary for their successful reception at the base station.

To increase the processing capability at the receive system, and therefore increase the extent to which the higher transmission capability of the subscriber unit may be utilized, pilot data is also transmitted via one of the orthogonal channels. Using the pilot data, coherent processing can be performed at the receive system by determining and removing the phase offset of the reverse link signal. Also, the pilot data can be used to optimally weigh multipath signals received with different time delays before being combined in a rake receiver. Once the phase offset is removed, and the multipath signals properly weighted, the multipath signals can be combined decreasing the power at which the reverse link signal must be received for proper processing. This decrease in the required receive power allows greater transmissions rates to be processed successfully, or conversely, the interference between a set of reverse link signals to be decreased. While some additional transmit power is necessary for the transmission of the pilot signal, in the context of higher transmission rates the ratio of pilot channel power to the total reverse link signal power is substantially lower than that associated with lower data rate digital voice data transmission cellular systems. Thus, within a high data rate CDMA system the  $E_b/N_0$  gains achieved by the use of a coherent reverse link outweigh the additional power necessary to transmit pilot data from each subscriber unit.

The use of gain adjusts 152 - 158 as well as master amplifier 172 further increases the degree to which the high transmission capability of the above described system can be utilized by allowing the transmit system to adapt to various radio channel conditions, transmission rates, and data types. In particular, the transmit power of a channel that is necessary for proper reception may change over time, and with changing conditions, in a manner that is independent of the other orthogonal channels. For example, during the initial acquisition of the reverse link signal the power of the pilot channel may need to be increased to facilitate detection and synchronization at the base station. Once the reverse link signal is acquired, however, the necessary transmit power of the pilot channel would substantially decrease, and would vary depending on various factors including the subscriber units rate of movement. Accordingly, the value of the gain adjust factor  $A_0$  would be increased during signal acquisition, and then reduced during an ongoing communication. In another example, when information more tolerable of error is being transmitted via the forward link, or the environment in which the forward link transmission is taking place is not

prone to fade conditions, the gain adjust factor  $A_1$  may be reduced as the need to transmit power control data with a low error rate decreases. In one embodiment of the invention, whenever power control adjustment is not necessary the gain adjust factor  $A_1$  is reduced to zero.

5           In another embodiment of the invention, the ability to gain adjust each orthogonal channel or the entire reverse link signal is further exploited by allowing the base station 120 or other receive system to alter the gain adjust of a channel, or of the entire reverse link signal, via the use of power control commands transmitted via the forward link signal. In particular,  
10 the base station may transmit power control information requesting the transmit power of a particular channel or the entire reverse link signal be adjusted. This is advantageous in many instances including when two types of data having different sensitivity to error, such as digitized voice and digital data, are being transmitted via the BPSK and QPSK channels. In this  
15 case, the base station 120 would establish different target error rates for the two associated channels. If the actual error rate of a channel exceeded the target error rate, the base station would instruct the subscriber unit to reduce the gain adjust of that channel until the actual error rate reached the target error rate. This would eventually lead to the gain adjust factor of one  
20 channel being increased relative to the other. That is, the gain adjust factor associated with the more error sensitive data would be increased relative to the gain adjust factor associated with the less sensitive data. In other instances, the transmit power of the entire reverse link may require adjustment due to fade conditions or movement of the subscriber unit 100.  
25 In these instances, the base station 120 can do so via transmission of a single power control command.

          Thus, by allowing the gain of the four orthogonal channels to be adjusted independently, as well as in conjunction with one another, the total transmit power of the reverse link signal can be kept at the minimum  
30 necessary for successful transmission of each data type, whether it is pilot data, power control data, signaling data, or different types of user data. Furthermore, successful transmission can be defined differently for each data type. Transmitting with the minimum amount of power necessary allows the greatest amount of data to be transmitted to the base station given  
35 the finite transmit power capability of a subscriber unit, and also reduces the interfere between subscriber units. This reduction in interference increases

the total communication capacity of the entire CDMA wireless cellular system.

The power control channel used in the reverse link signal allows the subscriber unit to transmit power control information to the base station at a variety of rates including a rate of 800 power control bits per second. In the preferred embodiment of the invention, a power control bit instructs the base station to increase or decrease the transmit power of the forward link traffic channel being used to transmit information to the subscriber unit. While it is generally useful to have rapid power control within a CDMA system, it is especially useful in the context of higher data rate communications involving data transmission, because digital data is more sensitive to errors, and the high transmission causes substantial amounts of data to be lost during even brief fade conditions. Given that a high speed reverse link transmission is likely to be accompanied by a high speed forward link transmission, providing for the rapid transmission of power control over the reverse link further facilitates high speed communications within CDMA wireless telecommunications systems.

In an alternative exemplary embodiment of the invention a set of encoder input rates  $E_R$  defined by the particular  $N_R$  are used to transmit a particular type of data. That is, data may be transmitted at a maximum encoder input rate  $E_R$  or at a set of lower encoder input rates  $E_R$ , with the associated  $N_R$  adjusted accordingly. In the preferred implementation of this embodiment, the maximum rates corresponds to the maximum rates used in IS-95 compliant wireless communication system, referred to above with respect to Tables II and III as RS1-Full Rate and RS2-Full Rate, and each lower rate is approximately one half the next higher rate, creating a set of rates comprised of a full rate, a half rate, a quarter rate, and an eighth rate. The lower data rates are preferable generated by increasing the symbol repetition rate  $N_R$  with value of  $N_R$  for rate set one and rate set two in a BPSK channel provided in Table IV.

Label	$E_{R,QPSK}$ (bps)	Encoder Out $R=1/4$ (bits/frame)	$N_{R,R=1/4}$ (Repetition Rate, $R=1/4$ )	Encoder Out $R=1/2$ (bits/frame)	$N_{R,R=1/2}$ (Repetition Rate, $R=1/2$ )
RS2-Full Rate	14,400	1,152	5 1/3	576	10 2/3
RS2-Half Rate	7,200	576	10 2/3	288	21 1/3
RS2-Quater Rate	3,600	288	21 1/3	144	42 2/3
RS2-Eigth Rate	1,900	152	40 8/19	76	80 16/19
RS1-Full Rate	9,600	768	8	384	16
RS1-Half Rate	4,800	384	16	192	32
RS1-Quater Rate	2,800	224	27 3/7	112	54 6/7
RS1-Eigth Rate	1,600	128	48	64	96
NULL	850	68	90 6/17	34	180 12/17

Table IV. RS1 and RS2 Rate Sets

in BPSK Channel

5           The repetition rates for a QPSK channel is twice that for the BPSK channel.

10           In accordance with the exemplary embodiment of the invention, when the data rate of a frame changes with respect to the previous frame the transmit power of the frame is adjusted according to the change in transmission rate. That is, when a lower rate frame is transmitted after a higher rate frame, the transmit power of the transmit channel over which the frame is being transmitted is reduced for the lower rate frame in proportion to the reduction in rate, and vice versa. For example, if the transmit power of a channel during the transmission of a full rate frame is transmit power  $T$ , the transmit power during the subsequent transmission of a half rate frame is transmit power  $T/2$ . The reduction in transmit power is preferably performed by reducing the transmit power for the entire duration of the frame, but may also be performed by reducing the transmit duty cycle such that some redundant information is "blanked out." In either case, the transmit power adjustment takes place in combination with a closed loop power control mechanism whereby the transmit power is further adjusted in response to power control data transmitted from the base station.

15

20

Fig. 5 is a block diagram of RF processing system 122 and demodulator 124 of Fig. 2 configured in accordance with the exemplary embodiment of the invention. Multipliers 180a and 180b downconvert the signals received from antenna 121 with an in-phase sinusoid and a quadrature phase sinusoid producing in-phase receive samples  $R_I$  and quadrature-phase receive samples  $R_Q$  receptively. It should be understood that RF processing system 122 is shown in a highly simplified form, and that the signals are also match filtered and digitized (not shown) in accordance with widely known techniques. Receive samples  $R_I$  and  $R_Q$  are then applied to finger demodulators 182 within demodulator 124. Each finger demodulator 182 processes an instance of the reverse link signal transmitted by subscriber unit 100, if such an instance is available, where each instance of the reverse link signal is generated via multipath phenomenon. While three finger demodulators are shown, the use of alternative numbers of finger processors are consistent with the invention including the use of a single finger demodulator 182. Each finger demodulator 182 produces a set of soft decision data comprised of power control data, BPSK data, and QPSK<sub>I</sub> data and QPSK<sub>Q</sub> data. Each set of soft decision data is also time adjusted within the corresponding finger demodulator 182, although time adjustment could be performed within combiner 184 in an alternative embodiment of the invention. Combiner 184 then sums the sets of soft decision data received from finger demodulators 182 to yield a single instance of power control, BPSK, QPSK<sub>I</sub> and QPSK<sub>Q</sub> soft decision data.

Fig. 6 is block diagram a finger demodulator 182 of Fig. 5 configured in accordance with the exemplary embodiment of the invention. The  $R_I$  and  $R_Q$  receive samples are first time adjusted using time adjust 190 in accordance with the amount of delay introduced by the transmission path of the particular instance of the reverse link signal being processed. Long code 200 is mixed with pseudorandom spreading codes  $PN_I$  and  $PN_Q$  using multipliers 201, and the complex conjugate of the resulting long code modulated  $PN_I$  and  $PN_Q$  spreading codes are complex multiplied with the time adjusted  $R_I$  and  $R_Q$  receive samples using multipliers 202 and summers 204 yielding terms  $X_I$  and  $X_Q$ . Three separate instances of the  $X_I$  and  $X_Q$  terms are then demodulated using the Walsh codes  $W_1$ ,  $W_2$  and  $W_3$  respectively, and the resulting Walsh demodulated data is summed over four demodulation chips using 4 to 1 summers 212. A fourth instance of the  $X_I$  and  $X_Q$  data is summed over four demodulation chips using

summers 208, and then filtered using pilot filters 214. In the preferred embodiment of the invention pilot filter 214 performs averaging over a series of summations performed by summers 208, but other filtering techniques will be apparent to one skilled in the art. The filtered in-phase and quadrature-phase pilot signals are used to phase rotate and scale the  $W_1$ , and  $W_2$  Walsh code demodulated data in accordance with BPSK modulated data via complex conjugate multiplication using multipliers 216 and adders 217 yielding soft decision power control and BPSK data. The  $W_3$  Walsh code modulated data is phase rotated using the in-phase and quadrature-phase filtered pilot signals in accordance with QPSK modulated data using multipliers 218 and adders 220, yielding soft decision QPSK data. The soft decision power control data is summed over 384 modulation symbols by 384 to 1 summer 222 yielding power control soft decision data. The phase rotated  $W_2$  Walsh code modulated data, the  $W_3$  Walsh code modulated data, and the power control soft decision data are then made available for combining. In an alternative embodiment of the invention, encoding and decoding is performed on the power control data as well.

In addition to providing phase information the pilot may also be used within the receive system to facilitate time tracking. Time tracking is performed by also processing the received data at one sample time before (early), and one sample time after (late), the present receive sample being processed. To determine the time that most closely matches the actual arrival time, the amplitude of the pilot channel at the early and late sample time can be compared with the amplitude at the present sample time to determine that which is greatest. If the signal at one of the adjacent sample times is greater than that at the present sample time, the timing can be adjusted so that the best demodulation results are obtained.

FIG. 7 is a block diagram of BPSK channel decoder 128 and QPSK channel decoder 126 (Fig. 2) configured in accordance with the exemplary embodiment of the invention. BPSK soft decision data from combiner 184 (Fig. 5) is received by accumulator 240 which stores the first sequence of  $6,144/N_R$  demodulation symbols in the received frame where  $N_R$  depends on the transmission rate of the BPSK soft decision data as described above, and adds each subsequent set of  $6,144/N_R$  demodulated symbols contained in the frame with the corresponding stored accumulated symbols. Block deinterleaver 242 deinterleaves the accumulated soft decision data from variable starting point summer 240, and Viterbi decoder 244 decodes the

deinterleaved soft decision data to produce hard decision data as well as CRC  
check sum results. Within QPSK decoder 126 QPSK<sub>I</sub> and QPSK<sub>Q</sub> soft  
decision data from combiner 184 (Fig. 5) are demultiplexed into a single soft  
decision data stream by demux 246 and the single soft decision data stream is  
5 received by accumulator 248 which accumulates every  $6,144/N_R$   
demodulation symbols where  $N_R$  depends on the transmission rate of the  
QPSK data. Block deinterleaver 250 deinterleaves the soft decision data from  
variable starting point summer 248, and Viterbi decoder 252 decodes the  
deinterleaved modulation symbols to produce hard decision data as well as  
10 CRC check sum results. In the alternative exemplary embodiment described  
above with respect to Fig. 3 in which symbol repetition is performed before  
interleaving, accumulators 240 and 248 are placed after block deinterleavers  
242 and 250. In the embodiment of the invention incorporating the use of  
rate sets, and therefore in which the rate of particular frame is not known,  
15 multiple decoders are employed, each operating at a different transmission  
rate, and then the frame associated with the transmission rate most likely to  
have been used is selected based on the CRC checksum results. The use of  
other error checking methods is consistent with the practice of the present  
invention.

20 Thus, a multi-channel, high rate, CDMA wireless communication  
system has been described. The description is provided to enable any person  
skilled in the art to make or use the present invention. The various  
modifications to these embodiments will be readily apparent to those skilled  
in the art, and the generic principles defined herein may be applied to other  
25 embodiments without the use of the inventive faculty. Thus, the present  
invention is not intended to be limited to the embodiments shown herein  
but is to be accorded the widest scope consistent with the principles and  
novel features disclosed herein.

30 **WE CLAIM:**



**CLAIMS:**

1. A method for generating data for transmission from a subscriber unit to a base station, the method comprising:
  - modulating each of a plurality of channel encoded data with an associated code to produce a plurality of streams of modulated symbols;
  - combining the plurality of streams of modulated symbols into at least one combined stream; and
  - complex multiplying said at least one combined stream with a complex pseudonoise code.
2. The method as claimed in claim 1, wherein the modulating each of a plurality of channel encoded data with an associated code comprises:
  - modulating a pilot channel encoded data with a first code to produce a first stream of modulated symbols; and
  - modulating a user first channel encoded data with a second code to produce a second stream of modulated symbols.
3. The method as claimed in claim 2, further comprising:
  - modulating a user second channel encoded data with the second code to produce a third stream of modulated symbols.
4. The method as claimed in claim 2, further comprising:
  - modulating a user second channel encoded data with a third code to produce a third stream of modulated symbols.
5. The method as claimed in claim 2, further comprising:
  - modulating a user third channel encoded data with a third code to produce a fourth and a fifth streams of modulated symbols.
6. The method as claimed in claim 5, wherein said combining the plurality of streams of modulated symbols comprises:
  - adding said first stream of modulated symbols, said second stream of modulated symbols, and said fourth stream of modulated symbols; and

providing said added streams separately from said fifth stream of modulated symbols for said complex multiplying.

7. The method as claimed in claims 5, further comprising:  
modulating a power control channel encoded data with a fifth code to produce an eighth stream of modulated symbols.
8. The method as claimed in claim 7, wherein said combining the plurality of streams of modulated symbols comprises:  
adding said first stream of modulated symbols, said second stream of modulated symbols, said fourth stream of modulated symbols, and said eighth stream of modulated symbols; and  
providing said added streams separately from said fifth stream of modulated symbols for said complex multiplying.
9. The method as claimed in claim 1, wherein the modulating each of a plurality of channel encoded data with an associated code comprises:  
modulating a pilot channel encoded data with a first code to produce a first stream of modulated symbols;  
modulating a user third channel encoded data with a third code to produce a fourth and a fifth streams of modulated symbols; and  
modulating a user fourth channel encoded data with a fourth code to produce a sixth and a seventh streams of modulated symbols
10. The method as claimed in claims 2 or 9, further comprising:  
modulating a power control channel encoded data with a fifth code to produce an eighth stream of modulated symbols.
11. The method as claimed in claim 1 wherein the complex pseudonoise code comprises an in-phase pseudonoise code component and a quadrature-phase pseudonoise code component.
12. The method as claimed in claim 11 wherein the in-phase pseudonoise code component and the quadrature-phase pseudonoise code component are multiplied by a long code.

13. The method as claimed in claim 1 wherein said complex multiplying comprises:

using a first of the at least one combined streams and an in-phase pseudonoise code component as real parts; and

using a second of the at least one combined streams and a quadrature-phase pseudonoise code component as imaginary parts.

14. The method as claimed in claim 13 wherein said complex multiplying comprises:

multiplying the first of the at least one combined stream by the in-phase pseudonoise code component to produce a first intermediate signal;

multiplying the second of the at least one combined stream by the in-phase pseudonoise code component to produce a second intermediate signal;

multiplying the first of the at least one combined stream by the quadrature-phase pseudonoise code component to produce a third intermediate signal;

multiplying the second of the at least one second combined stream by the quadrature-phase pseudonoise code component to produce a fourth intermediate signal;

subtracting the fourth intermediate signal from the first intermediate signal to produce an in-phase product signal; and

adding the second intermediate signal to the third intermediate signal to produce a quadrature-phase product signal.

15. The method as claimed in claim 1, wherein the plurality of associated codes is Walsh codes.

16. The method as claimed in claim 15, wherein a length of the Walsh codes is four.

17. The method as claimed in claim 1, further comprising:

adjusting gain of each of the plurality of streams of modulated symbols.

18. The method as claimed in claim 17, wherein said adjusting gain of each of the plurality of streams of modulated symbols comprises:

adjusting gain of a first stream of modulated symbols; and  
adjusting gain of each of the remaining streams to a value determined relative to the gain of the first stream.

19. An apparatus for generating data for transmission from a subscriber unit to a base station, the apparatus comprising:

means for modulating each of a plurality of channel encoded data with an associated code to produce a plurality of streams of modulated symbols;

means for combining the plurality of streams of modulated symbols into at least one combined stream; and

means for complex multiplying said at least one combined stream with a complex pseudonoise code.

20. The apparatus as claimed in claim 19, wherein the means for modulating each of a plurality of channel encoded data with an associated code comprises:

means for modulating a pilot channel encoded data with a first code to produce a first stream of modulated symbols; and

means for modulating a user first channel encoded data with a second code to produce a second stream of modulated symbols.

21. The apparatus as claimed in claim 20, further comprising:

means for modulating a user second channel encoded data with the second code to produce a third stream of modulated symbols.

22. The apparatus as claimed in claim 20, further comprising:

means for modulating a user second channel encoded data with a third code to produce a third stream of modulated symbols.

23. The apparatus as claimed in claim 20, further comprising:

means for modulating a user third channel encoded data with a third code to produce a fourth and a fifth streams of modulated symbols.

24. The apparatus as claimed in claim 23, wherein said means for combining the plurality of streams of modulated symbols comprises:

means for adding said first stream of modulated symbols, said second stream of modulated symbols, and said fourth stream of modulated symbols; and

means for providing said added streams separately from said fifth stream of modulated symbols for said complex multiplying.

25. The apparatus as claimed in claims 23, further comprising:

means for modulating a power control channel encoded data with a fifth code to produce an eighth stream of modulated symbols.

26. The apparatus as claimed in claim 25, wherein said means for combining the plurality of streams of modulated symbols comprises:

means for adding said first stream of modulated symbols, said second stream of modulated symbols, said fourth stream of modulated symbols, and said eighth stream of modulated symbols; and

means for providing said added streams separately from said fifth stream of modulated symbols for said complex multiplying.

27. The apparatus as claimed in claim 19, wherein the means for modulating each of a plurality of channel encoded data with an associated code comprises:

means for modulating a pilot channel encoded data with a first code to produce a first stream of modulated symbols;

means for modulating a user third channel encoded data with a third code to produce a fourth and a fifth streams of modulated symbols; and

means for modulating a user fourth channel encoded data with a fourth code to produce a sixth and a seventh streams of modulated symbols

28. The apparatus as claimed in claims 20 or 27, further comprising:

means for modulating a power control channel encoded data with a fifth code to produce an eighth stream of modulated symbols.

29. The apparatus as claimed in claim 19 wherein the complex pseudonoise code comprises an in-phase pseudonoise code component and a quadrature-phase pseudonoise code component.

30. The apparatus as claimed in claim 29 wherein the in-phase pseudonoise code component and the quadrature-phase pseudonoise code component are multiplied by a long code.

31. The apparatus as claimed in claim 19 wherein said means for complex multiplying comprises:

means for using a first of the at least one combined streams and an in-phase pseudonoise code component as real parts; and

means for using a second of the at least one combined streams and a quadrature-phase pseudonoise code component as imaginary parts.

32. The apparatus as claimed in claim 31 wherein said means for complex multiplying comprises:

means for multiplying the first of the at least one combined stream by the in-phase pseudonoise code component to produce a first intermediate signal;

means for multiplying the second of the at least one combined stream by the in-phase pseudonoise code component to produce a second intermediate signal;

means for multiplying the first of the at least one combined stream by the quadrature-phase pseudonoise code component to produce a third intermediate signal;

means for multiplying the second of the at least one second combined stream by the quadrature-phase pseudonoise code component to produce a fourth intermediate signal;

means for subtracting the fourth intermediate signal from the first intermediate signal to produce an in-phase product signal; and

means for adding the second intermediate signal to the third intermediate signal to produce a quadrature-phase product signal.

33. The apparatus as claimed in claim 19, wherein the plurality of associated codes is Walsh codes.

34. The apparatus as claimed in claim 33, wherein a length of the Walsh codes is four.

35. The apparatus as claimed in claim 19, further comprising:  
adjusting gain of each of the plurality of streams of modulated symbols.
36. The apparatus as claimed in claim 35, wherein said adjusting gain of each of the plurality of streams of modulated symbols comprises:  
adjusting gain of a first stream of modulated symbols; and  
adjusting gain of each of the remaining streams to a value determined relative to the gain of the first stream.
37. A method for demodulating a received signal comprising:  
complex multiplying the received signal by a complex pseudonoise code to produce a complex pseudonoise despread signal;  
filtering the complex pseudonoise despread signal to provide a complex filtered pilot signal;  
multiplying the complex pseudonoise despread signal by a first demodulation code to provide a first complex demodulated data signal; and  
phase rotating and scaling the first complex demodulated data signal in accordance with the complex filtered pilot signal to provide a first soft decision data.
38. The method as claimed in claim 37 wherein the complex pseudonoise code comprises an in-phase pseudonoise code component and a quadrature-phase pseudonoise code component.
39. The method as claimed in claim 38 wherein the in-phase pseudonoise code component and the quadrature-phase pseudonoise code component are multiplied by a long code.
40. The method as claimed in claim 37 wherein said complex multiplying comprises:  
using a first stream of samples of the received signal and the in-phase pseudonoise code component as real parts; and  
using a second stream of samples of the received signal and the quadrature-phase pseudonoise code component as imaginary parts.

41. The method as claimed in claim 40 wherein said complex multiplying comprises:

    multiplying the first stream of samples of the received signal by the in-phase pseudonoise code component to produce a first intermediate signal;

    multiplying the second stream of samples of the received signal by the in-phase pseudonoise code component to produce a second intermediate signal;

    multiplying the first stream of samples of the received signal by the quadrature-phase pseudonoise code component to produce a third intermediate signal;

    multiplying the second stream of samples of the received signal by the quadrature-phase pseudonoise code component to produce a fourth intermediate signal;

    adding the first intermediate signal to the fourth intermediate signal to produce an in-phase first soft decision data; and

    subtracting the third intermediate signal from the second intermediate signal to produce a quadrature-phase first soft decision data.

42. The method of claim 37 wherein said filtering comprises averaging the complex pseudonoise despread signal.

43. The method of claim 37 further comprising summing the complex pseudonoise despread signal over the duration of the first demodulation code.

44. The method of claim 37, wherein said multiplying the complex pseudonoise despread signal by a first demodulation code comprises:

    multiplying the first stream of samples of the received signal by the first demodulation code to produce a first in-phase demodulated data signal; and

    multiplying the second stream of samples of the received signal by the first demodulation code to produce a first quadrature-phase demodulated data signal.

45. The method of claim 44, further comprising:

    summing the first in-phase demodulated data signal over the duration of the first demodulation code; and



summing the first quadrature-phase demodulated data signal over the duration of the first demodulation code.

46. The method of claim 37, wherein said phase rotating and scaling the first complex demodulated data signal in accordance with the complex filtered pilot signal comprises:

    multiplying a first in-phase demodulated data signal by a filtered in-phase pilot signal to produce a first in-phase product;

    multiplying a first quadrature-phase demodulated data signal by a filtered quadrature-phase pilot signal by to produce a first quadrature-phase product;  
and

    adding the first in-phase product to the first quadrature-phase product to produce a first soft decision data.

47 The method of claim 46 further comprising summing the first soft decision data over a pre-determined number of modulation symbols.

48. The method of claim 37, wherein said phase rotating and scaling the first complex demodulated data signal in accordance with the complex filtered pilot signal comprises:

    multiplying a first in-phase demodulated data signal by a filtered in-phase pilot signal to produce a first intermediate signal;

    multiplying a first quadrature-phase demodulated data signal by a filtered in-phase pilot signal to produce a second intermediate signal;

    multiplying the first in-phase demodulated data signal by a filtered quadrature-phase pilot signal of the received signal to produce a third intermediate signal;

    multiplying the first quadrature-phase demodulated data signal by a filtered quadrature-phase pilot signal to produce a fourth intermediate signal;

    adding the first intermediate signal to the fourth intermediate signal to produce an in-phase first soft decision data; and

    subtracting the third intermediate signal from the second intermediate signal to produce a quadrature-phase first soft decision data.

49. The method as claimed in claim 37, wherein the first demodulation code is Walsh code.

50. The method as claimed in claim 49, wherein a length of the Walsh code is four chips.

51. The method of claim 49 wherein the Walsh code is +, -, +, -.

52. The method of claim 49 wherein the Walsh code is +, +, -, -.

53. The method of claim 49 wherein the Walsh code is +, -, -, +.

54. An apparatus for demodulating a received signal comprising:  
means for complex multiplying the received signal by a complex pseudonoise code to produce a complex pseudonoise despread signal;  
means for filtering the complex pseudonoise despread signal to provide a complex filtered pilot signal;  
means for multiplying the complex pseudonoise despread signal by a first demodulation code to provide a first complex demodulated data signal; and  
means for phase rotating and scaling the first complex demodulated data signal in accordance with the complex filtered pilot signal to provide a first soft decision data.

55. The apparatus as claimed in claim 54 wherein the complex pseudonoise code comprises an in-phase pseudonoise code component and a quadrature-phase pseudonoise code component.

56. The apparatus as claimed in claim 55 wherein the in-phase pseudonoise code component and the quadrature-phase pseudonoise code component are multiplied by a long code.

57. The apparatus as claimed in claim 54 wherein said means for complex multiplying comprises:  
means for using a first stream of samples of the received signal and the in-phase pseudonoise code component as real parts; and

means for using a second stream of samples of the received signal and the quadrature-phase pseudonoise code component as imaginary parts.

58. The apparatus as claimed in claim 57 wherein said means for complex multiplying comprises:

means for multiplying the first stream of samples of the received signal by the in-phase pseudonoise code component to produce a first intermediate signal;

means for multiplying the second stream of samples of the received signal by the in-phase pseudonoise code component to produce a second intermediate signal;

means for multiplying the first stream of samples of the received signal by the quadrature-phase pseudonoise code component to produce a third intermediate signal;

means for multiplying the second stream of samples of the received signal by the quadrature-phase pseudonoise code component to produce a fourth intermediate signal;

means for adding the first intermediate signal to the fourth intermediate signal to produce an in-phase first soft decision data; and

means for subtracting the third intermediate signal from the second intermediate signal to produce a quadrature-phase first soft decision data.

59. The apparatus of claim 54 wherein said means for filtering comprises averaging the complex pseudonoise despread signal.

60. The apparatus of claim 54 further comprising means for summing the complex pseudonoise despread signal over the duration of the first demodulation code.

61. The apparatus of claim 54, wherein said means for multiplying the complex pseudonoise despread signal by a first demodulation code comprises:

means for multiplying the first stream of samples of the received signal by the first demodulation code to produce a first in-phase demodulated data signal; and

means for multiplying the second stream of samples of the received signal by the first demodulation code to produce a first quadrature-phase demodulated data signal.

62. The apparatus of claim 61, further comprising:

means for summing the first in-phase demodulated data signal over the duration of the first demodulation code; and

means for summing the first quadrature-phase demodulated data signal over the duration of the first demodulation code.

63. The apparatus of claim 54, wherein said means for phase rotating and scaling the first complex demodulated data signal in accordance with the complex filtered pilot signal comprises:

means for multiplying a first in-phase demodulated data signal by a filtered in-phase pilot signal to produce a first in-phase product;

means for multiplying a first quadrature-phase demodulated data signal by a filtered quadrature-phase pilot signal to produce a first quadrature-phase product; and

means for adding the first in-phase product to the first quadrature-phase product to produce a first soft decision data.

64. The apparatus of claim 63 further comprising means for summing the first soft decision data over a pre-determined number of modulation symbols.

65. The apparatus of claim 54, wherein said means for phase rotating and scaling the first complex demodulated data signal in accordance with the complex filtered pilot signal comprises:

means for multiplying a first in-phase demodulated data signal by a filtered in-phase pilot signal to produce a first intermediate signal;

means for multiplying a first quadrature-phase demodulated data signal by a filtered quadrature-phase pilot signal to produce a second intermediate signal;

means for multiplying the first in-phase demodulated data signal by a filtered quadrature-phase pilot signal of the received signal to produce a third intermediate signal;

means for multiplying the first quadrature-phase demodulated data signal by a filtered quadrature-phase pilot signal to produce a fourth intermediate signal;

means for adding the first intermediate signal to the fourth intermediate signal to produce an in-phase first soft decision data; and

means for subtracting the third intermediate signal from the second intermediate signal to produce a quadrature-phase first soft decision data.

66. The apparatus as claimed in claim 54, wherein the first demodulation code is Walsh code.

67. The apparatus as claimed in claim 66, wherein a length of the Walsh code is four chips.

68. The apparatus of claim 66 wherein the Walsh code is +, -, +, -.

69. The apparatus of claim 66 wherein the Walsh code is +, +, -, -.

70. The apparatus of claim 66 wherein the Walsh code is +, -, -, +.

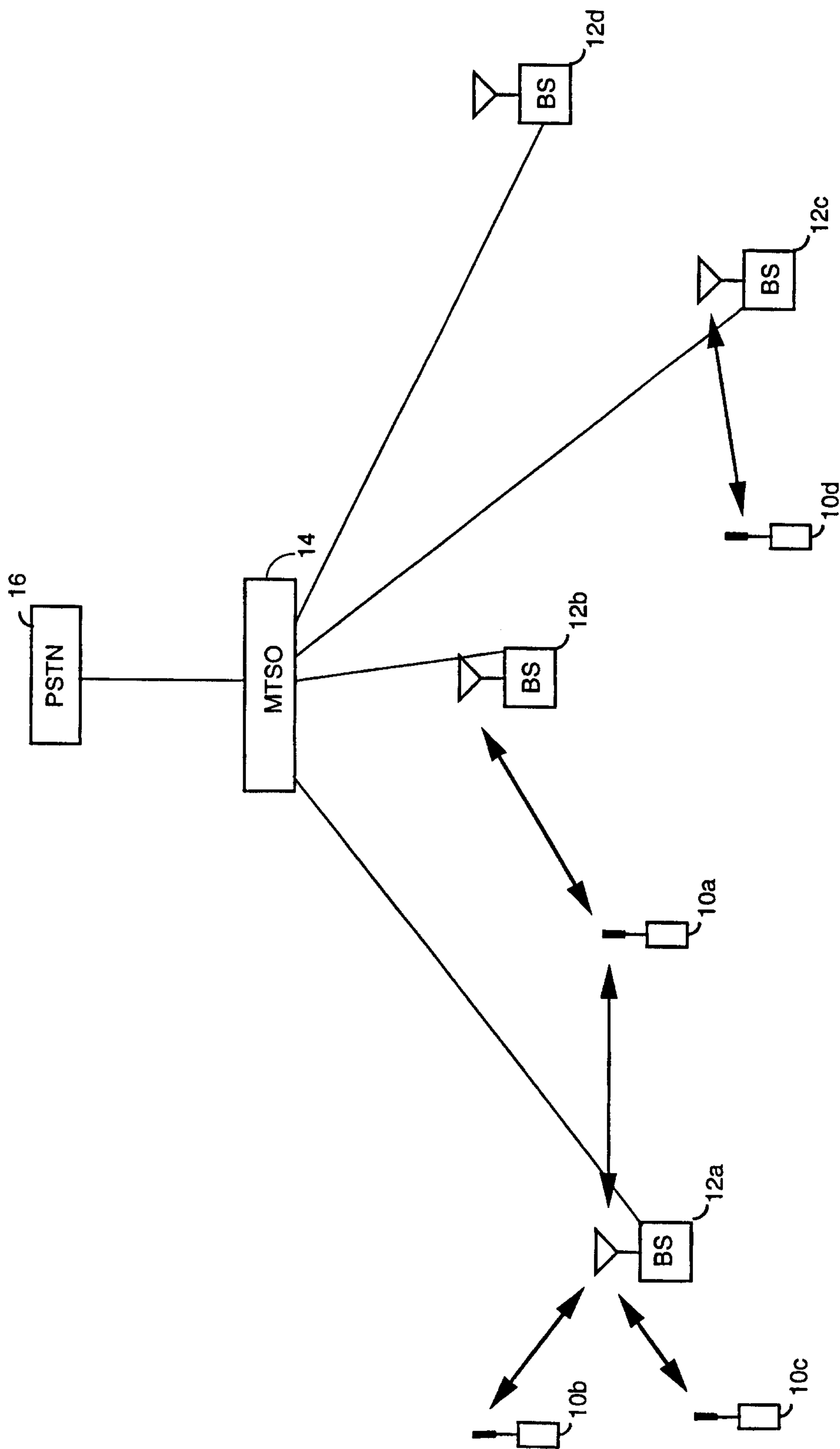


FIG.1 (PRIOR ART)

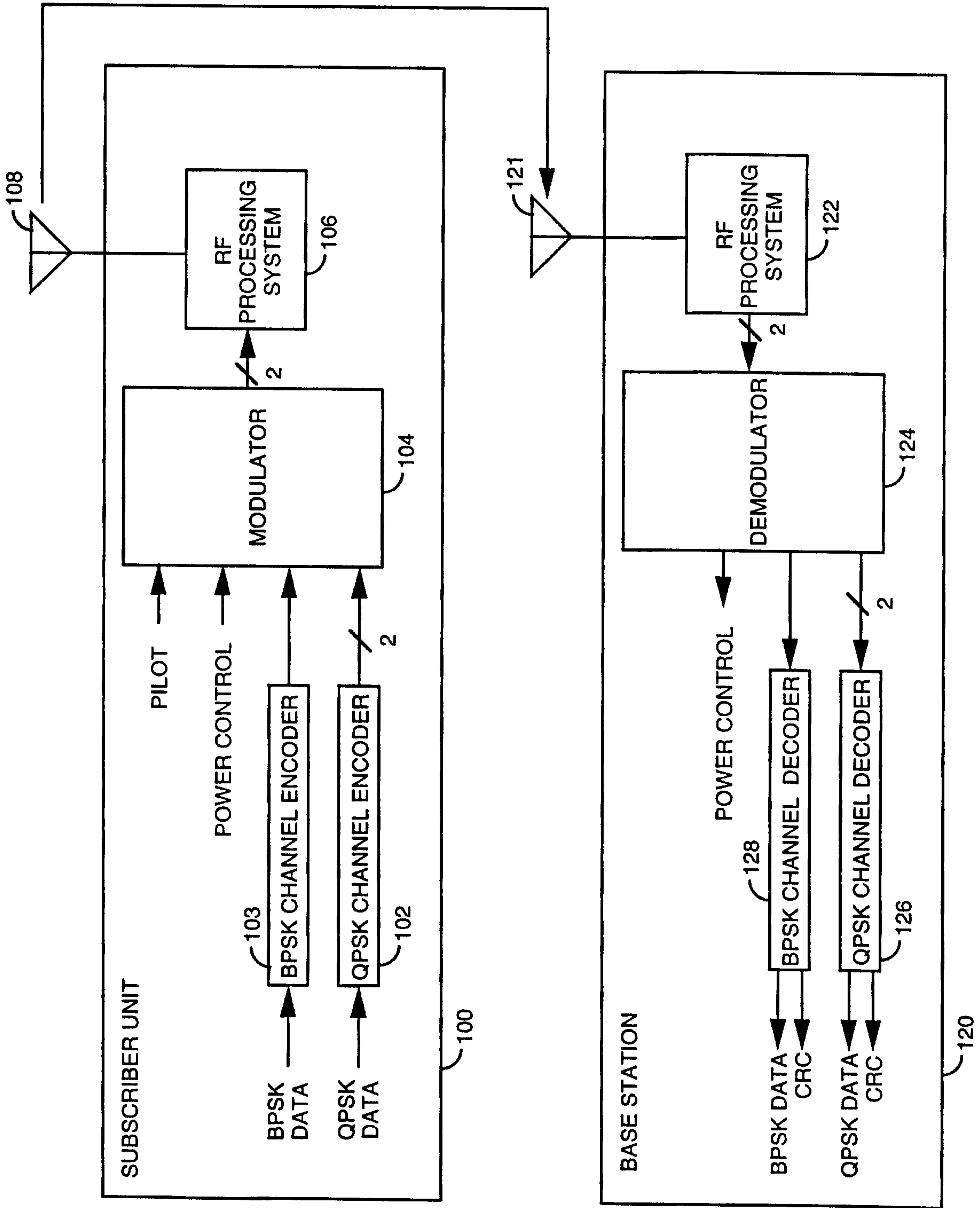


FIG. 2

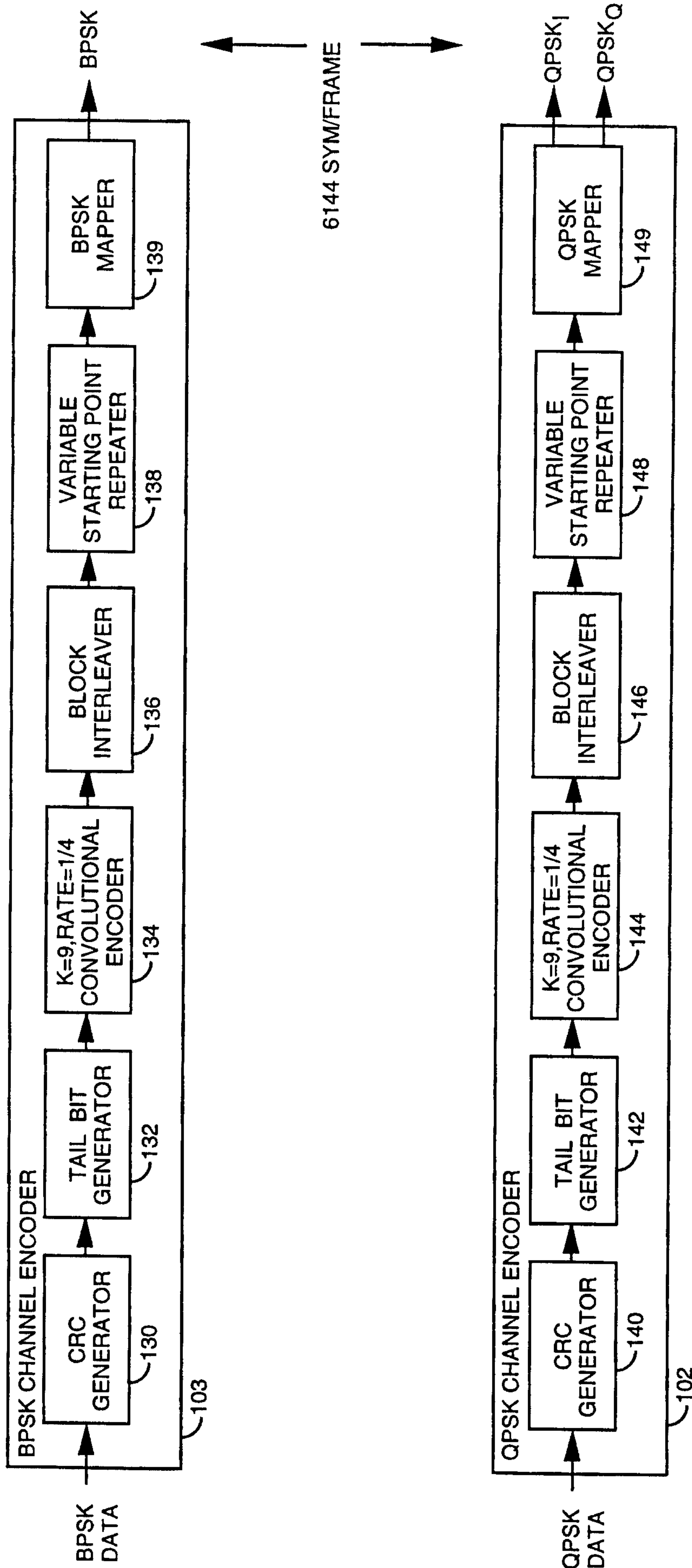


FIG. 3



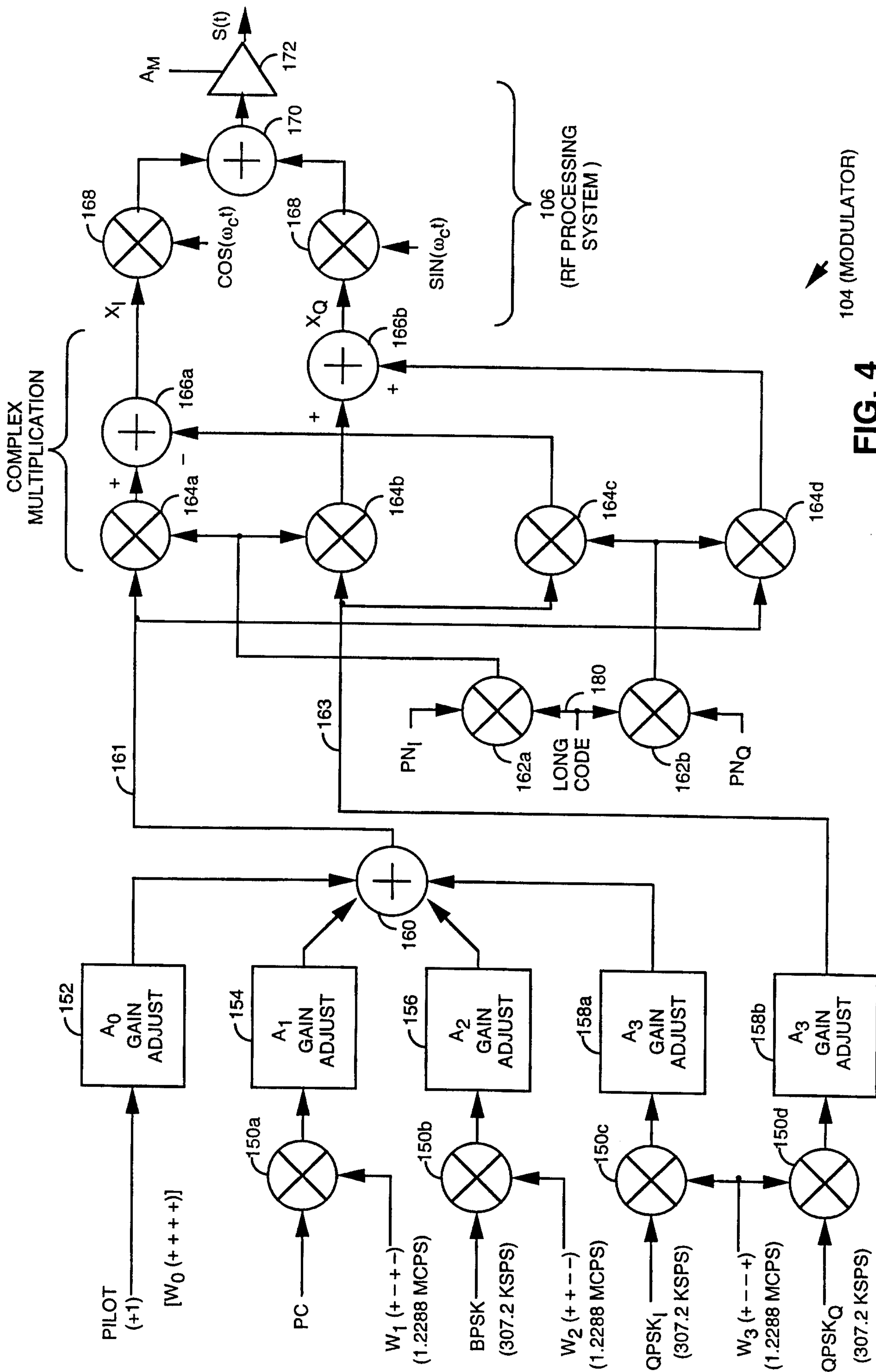


FIG. 4

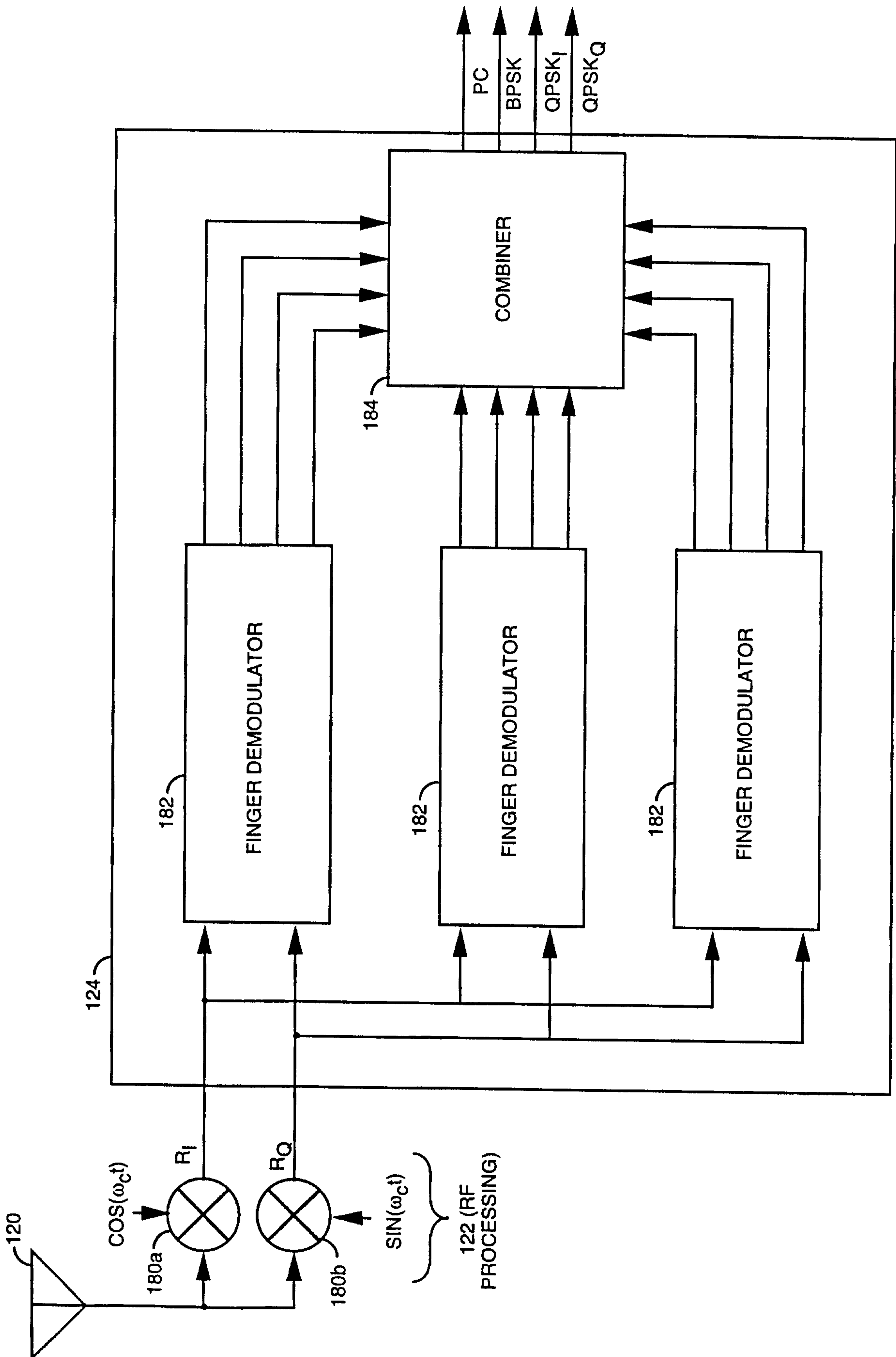


FIG. 5

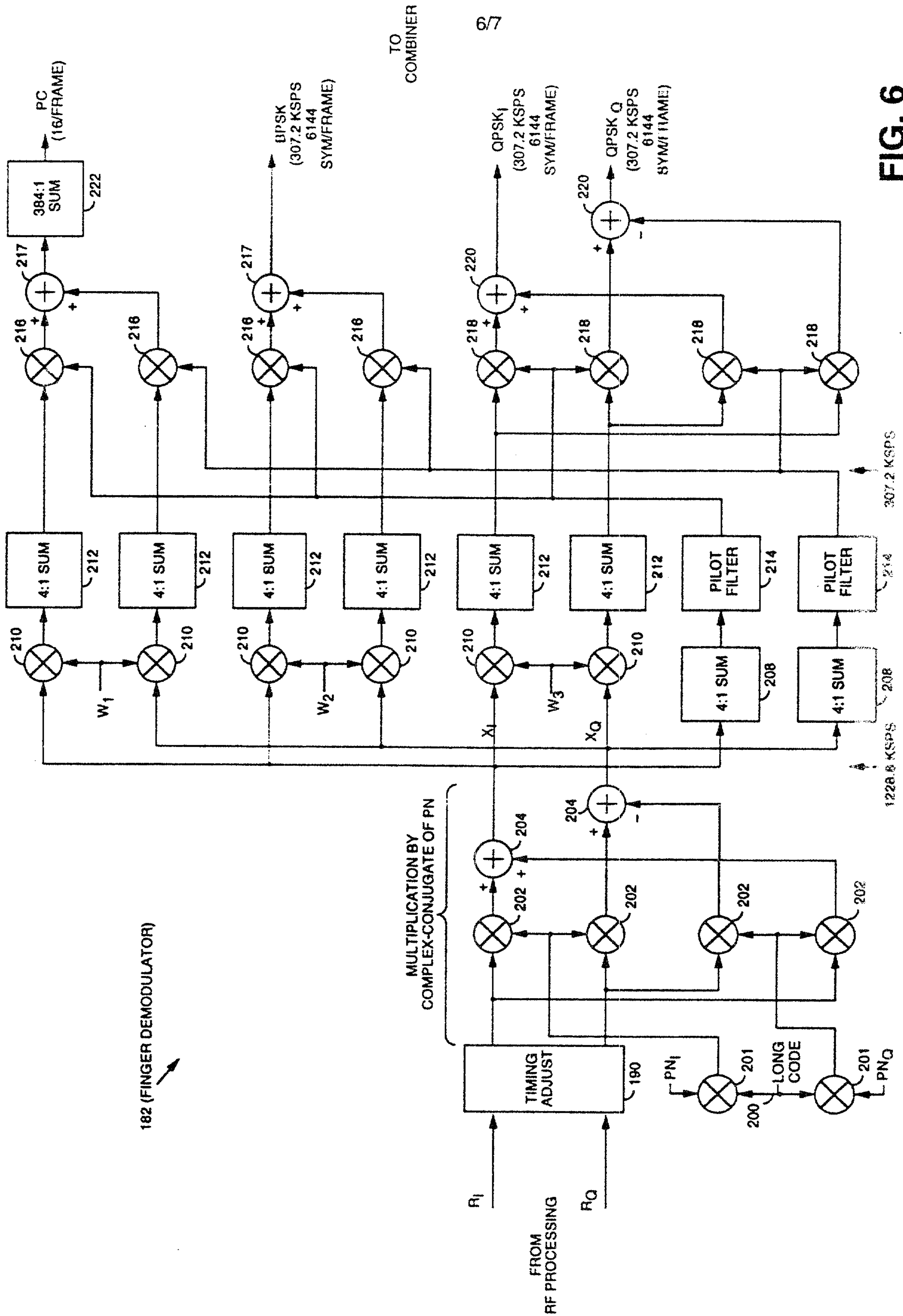


FIG. 6

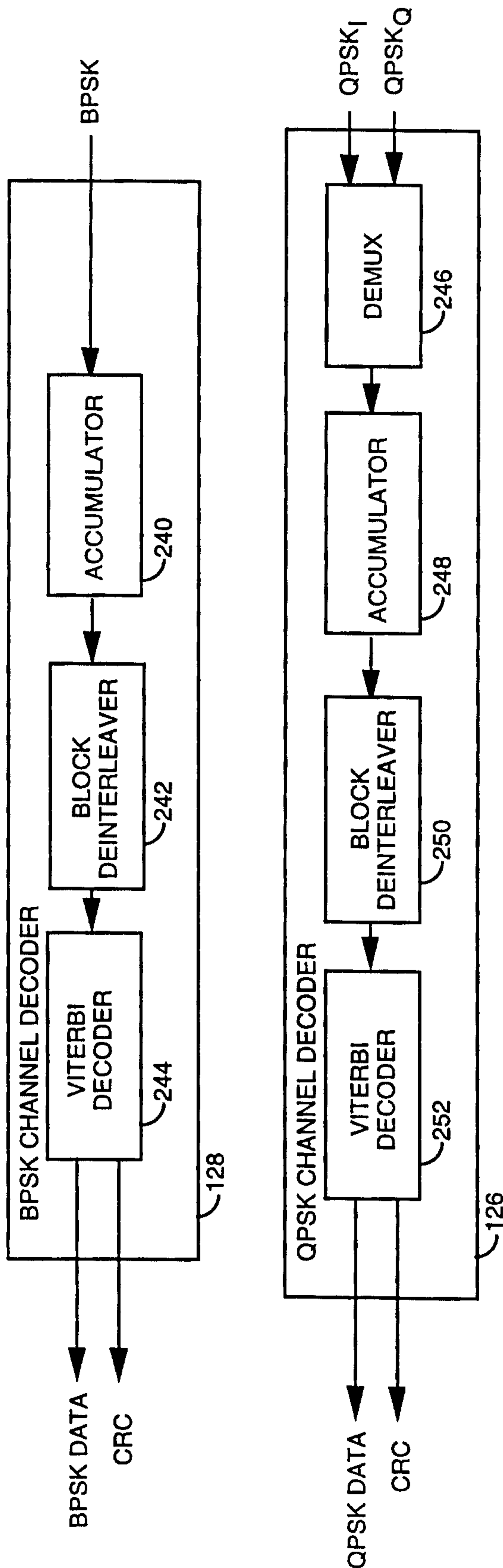


FIG. 7

