



US00D658366S

(12) **United States Design Patent**
Platt et al.

(10) **Patent No.:** **US D658,366 S**

(45) **Date of Patent:** **** May 1, 2012**

(54) **INTERCHANGEABLE COVER FOR USE WITH BASE HANDBAG**

(75) Inventors: **Jennie Platt**, Sandy, UT (US); **Christian J. Seegmiller**, Riverton, UT (US); **Corbin B. Church**, Salt Lake City, UT (US)

(73) Assignee: **Miche Bag, LLC**, South Jordan, UT (US)

(**) Term: **14 Years**

(21) Appl. No.: **29/405,849**

(22) Filed: **Nov. 7, 2011**

Related U.S. Application Data

(60) Division of application No. 29/355,821, filed on Feb. 15, 2010, which is a continuation of application No. 12/529,012, filed as application No. PCT/US2009/54896 on Aug. 25, 2009.

(51) **LOC (9) Cl.** **03-01**

(52) **U.S. Cl.** **D3/233**

(58) **Field of Classification Search** D3/232-233, D3/240-245; 150/100, 103-110, 113-114, 150/118-119

See application file for complete search history.

(56) **References Cited**

U.S. PATENT DOCUMENTS

840,086 A	1/1907	Oswald
1,042,934 A	9/1912	Levy
1,960,396 A	5/1934	Rosenberg
1,972,577 A	9/1934	Walinsky
1,978,971 A	10/1934	Thornhill
2,023,144 A	5/1935	Miller
2,104,439 A	1/1938	Schein
2,118,400 A	5/1938	Goldberg
2,131,382 A	9/1938	Lobat
D129,151 S	8/1941	Lewis
D131,188 S	1/1942	Lewis
2,369,239 A	2/1945	Khoury
2,369,482 A	2/1945	Morris

2,437,382 A	3/1948	Czap
2,464,312 A	3/1949	Holden
2,477,388 A	7/1949	Moore
D155,608 S	10/1949	Hilf
2,622,647 A	12/1952	Arnthall
2,627,885 A	2/1953	Cassell

(Continued)

FOREIGN PATENT DOCUMENTS

CA 2570857 1/2006

(Continued)

OTHER PUBLICATIONS

International Search Report and Opinion for PCT/US2007/085339, Mailed Mar. 14, 2008.

(Continued)

Primary Examiner — Holly Baynham

(74) *Attorney, Agent, or Firm* — Workman Nydegger

(57) **CLAIM**

The ornamental design for a base handbag for use with an interchangeable cover, as shown and described.

DESCRIPTION

FIG. 1 is an exploded top, left perspective view of an interchangeable cover for use with a base handbag when the base handbag is withdrawn from the handbag cover, with the interchangeable cover shown with attachment flaps in an open position;

FIG. 2 is a front elevational view thereof, with the rear elevational view being a mirror image thereof;

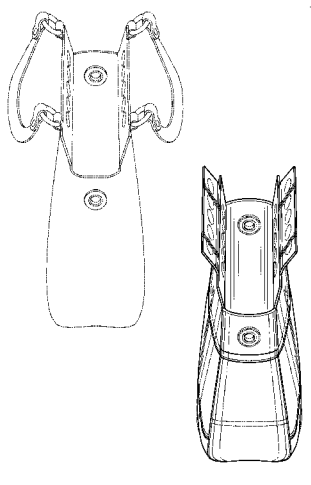
FIG. 3 is a left side elevational view thereof, with the right side elevational view being a mirror image thereof;

FIG. 4 is a bottom plan view thereof; and,

FIG. 5 is a top plan view thereof.

The broken, alternating long and short lines are for the purposes of illustrating environment, or hidden elements, and form no part of the claimed design. The evenly spaced broken lines represent stitching and are part of the claimed design.

1 Claim, 4 Drawing Sheets



U.S. PATENT DOCUMENTS			FOREIGN PATENT DOCUMENTS		
2,656,870 A	10/1953	Wishnia	6,968,880 B2	11/2005	Battaglia
2,779,373 A	1/1957	Koepke	6,971,424 B1	12/2005	Angevine
2,809,685 A	10/1957	Lowy	7,028,730 B2	4/2006	Pace et al.
2,893,457 A	7/1959	Wilson	7,222,649 B1	5/2007	Fox
3,182,701 A	5/1965	Ginsburg	7,246,643 B2	7/2007	Andrews
3,234,985 A	2/1966	Gilbert	7,461,676 B2	12/2008	Huie
3,451,454 A	6/1969	David	7,624,777 B2	12/2009	Paller
3,556,187 A	1/1971	Speakes	D610,801 S	3/2010	Romero
3,575,226 A	4/1971	Chapman	D611,705 S	3/2010	Romero
D224,072 S	6/1972	Rosenblum	D613,062 S	4/2010	Romero
3,669,169 A	6/1972	Lubliner	7,789,114 B2	9/2010	Pace
4,088,167 A	5/1978	Schwartz	7,942,296 B1	5/2011	Johnson
4,112,991 A	9/1978	Barbaresi	8,028,730 B2	10/2011	Whiting
D252,596 S	8/1979	Adler	2001/0015248 A1	8/2001	McCreery
4,260,004 A	4/1981	Domke	2002/0029831 A1	3/2002	Pendergrass
4,263,951 A	4/1981	Siegel	2002/0066505 A1	6/2002	Grogan
4,610,286 A	9/1986	Cyr	2003/0000612 A1	1/2003	Sutton
4,754,790 A	7/1988	Meyers	2003/0177664 A1	9/2003	Monassebian
4,842,032 A	6/1989	Mastronardo	2004/0050468 A1	3/2004	Powers
4,907,633 A	3/1990	Eckstein	2004/0187988 A1	9/2004	Andrews
5,096,030 A	3/1992	Espinosa	2005/0028908 A1	2/2005	Schaus
5,178,198 A	1/1993	Fitzgerald	2005/0173034 A1	8/2005	Antrobus
D334,661 S	4/1993	Kohn	2005/0274441 A1	12/2005	Pace
5,207,254 A	5/1993	Fromm	2006/0021684 A1	2/2006	DeCoro, III
D346,694 S	5/1994	Cyr	2006/0157175 A1	7/2006	Pace
5,356,004 A	10/1994	Weinreb	2006/0174984 A1	8/2006	Burns
D354,399 S	1/1995	Georges	2006/0208043 A1	9/2006	Plantan
5,533,558 A	7/1996	Carey	2006/0237106 A1	10/2006	Pearson
5,725,039 A	3/1998	Macinai	2006/0266452 A1	11/2006	Huie
5,765,618 A	6/1998	Toledano	2006/0278311 A1	12/2006	Mittelstaedt
5,829,502 A	11/1998	Distefano et al.	2007/0102077 A1	5/2007	Parker-Ogden
5,839,138 A	11/1998	Smith	2007/0163689 A1	7/2007	Pace
D403,863 S	1/1999	Briganti	2007/0209742 A1	9/2007	Morgan
D408,146 S	4/1999	Briganti	2007/0221136 A1	9/2007	Buttner
5,894,975 A	4/1999	Holden et al.	2007/0240798 A1	10/2007	Bihler
5,911,262 A	6/1999	Steinhart	2008/0006355 A1	1/2008	Gomez
5,983,464 A	11/1999	Bauer	2008/0185082 A1	8/2008	Mejia
5,983,969 A	11/1999	Morgan	2008/0230158 A1	9/2008	Romero
6,003,573 A	12/1999	Owens	2009/0065110 A1	3/2009	Cassella
6,029,723 A	2/2000	Baquero	2009/0188592 A1	7/2009	Connacher
6,116,412 A	9/2000	Rogers	2010/0218863 A1	9/2010	Church
D432,310 S	10/2000	Salz	2011/0000590 A1	1/2011	Welch
6,129,126 A	10/2000	Restivo	2011/0005646 A1	1/2011	Nelson
6,173,837 B1	1/2001	Marconi	2011/0011503 A1	1/2011	Parker
6,179,025 B1	1/2001	Sutton	2011/0061778 A1	3/2011	Micone
D437,687 S	2/2001	Salz	2011/0253273 A1	10/2011	Kay
6,186,201 B1	2/2001	Salz			
6,237,660 B1	5/2001	Giardino			
D443,139 S	6/2001	Salz			
D443,764 S	6/2001	Salz			
D444,943 S	7/2001	Nastasi			
6,394,157 B2	5/2002	Luna			
6,422,278 B1	7/2002	Grogan			
6,446,688 B1	9/2002	Sutton			
6,543,499 B2	4/2003	McCreery			
6,564,838 B1	5/2003	Cruickshank			
D476,809 S	7/2003	Ko			
D495,877 S	9/2004	Thorsen			
6,796,344 B2	9/2004	Chen			
6,807,992 B2	10/2004	Powers			
D497,716 S	11/2004	de Baschmakoff			
6,820,664 B1	11/2004	Ritch			

European Search Report, Application Ser. No. 09014069.0-1258/
2163169, Mailed Mar. 3, 2010.
International Search Report and Opinion for PCT/US2009/054896,
Mailed Oct. 30, 2009.

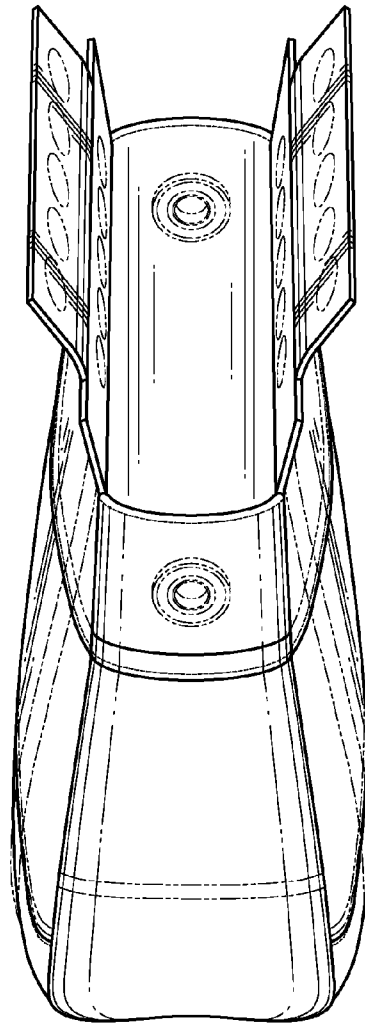
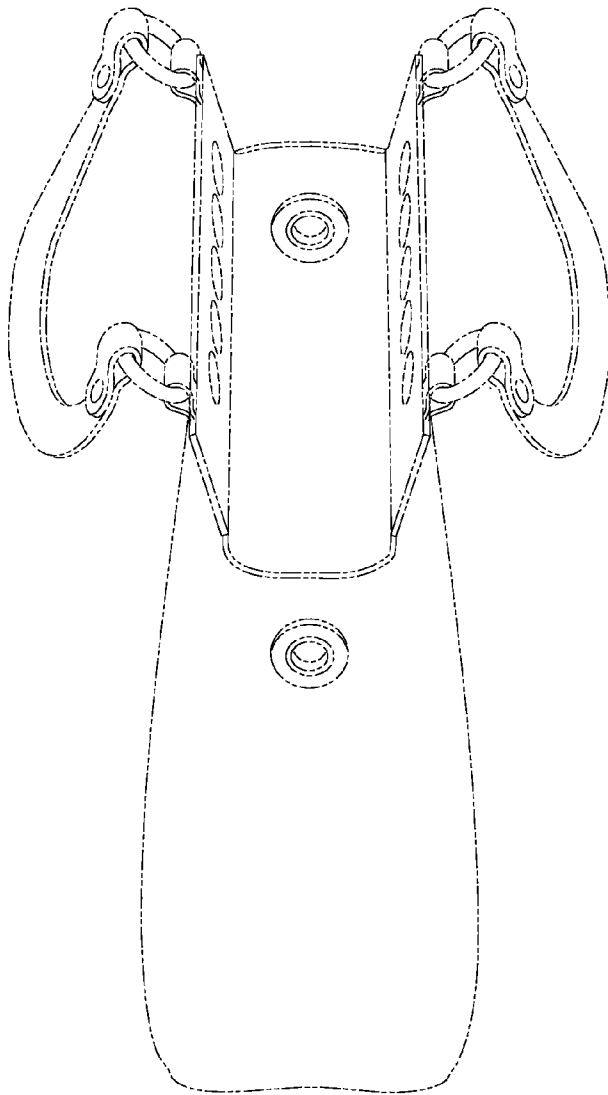


Fig. 1



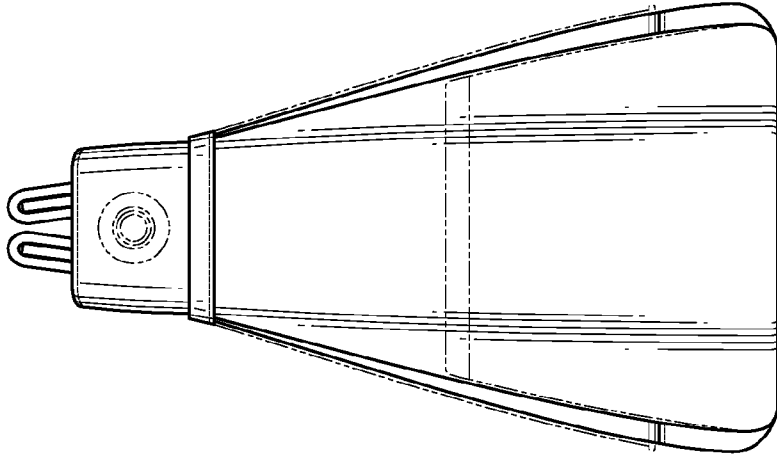


Fig. 3

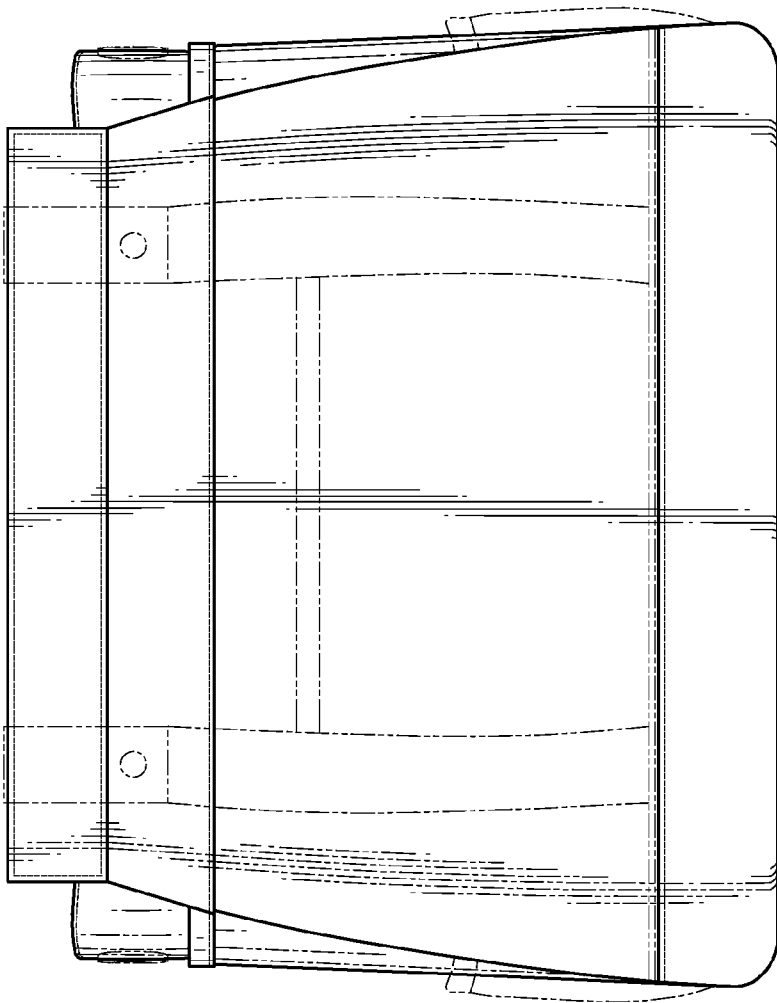


Fig. 2

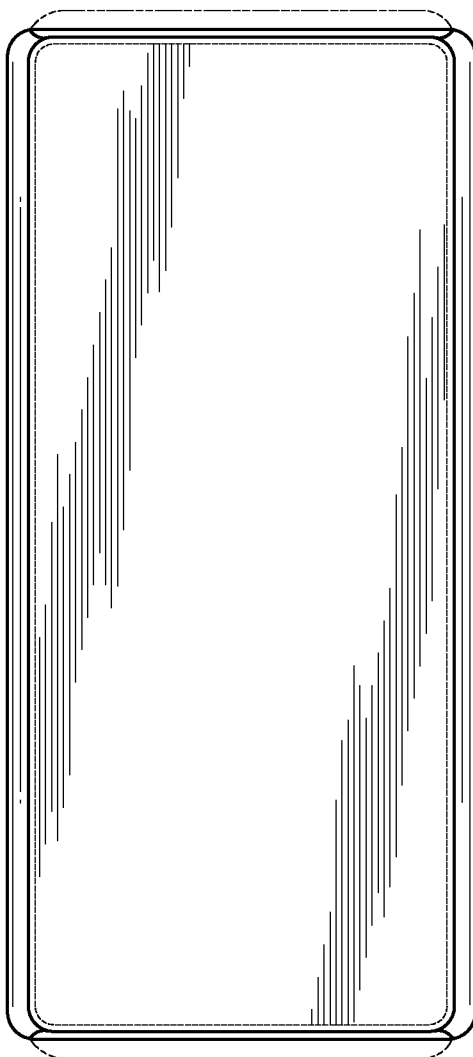


Fig. 4

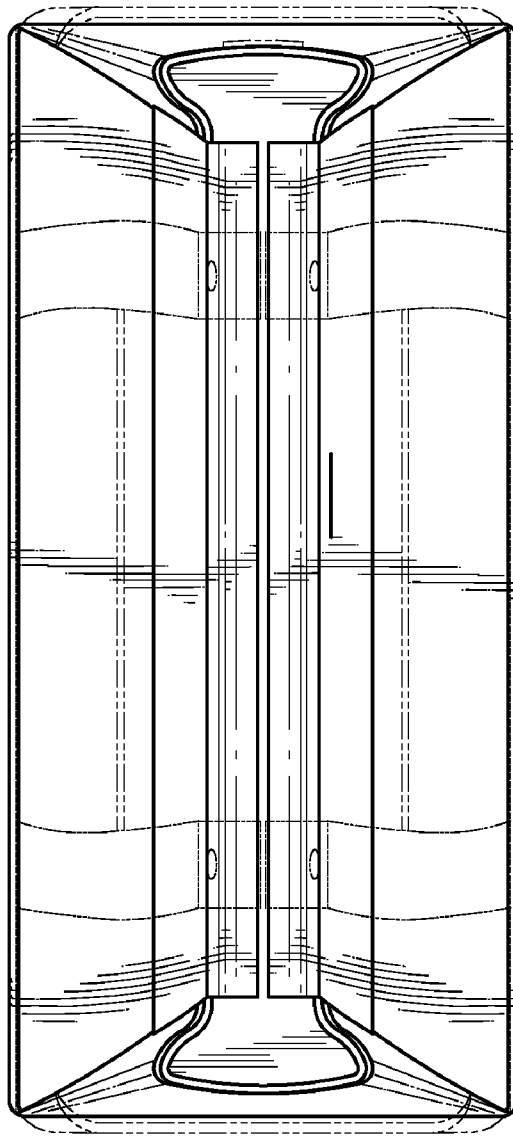


Fig. 5