



US00D415744S

United States Patent [19]

[11] Patent Number: **Des. 415,744**

Carter et al.

[45] Date of Patent: **** Oct. 26, 1999**

[54] **FLAT SCREEN MONITOR WITH MULTIPLE SCREENS**

[75] Inventors: **D. Geoffrey R. Carter; Gregory S. Giroux**, both of Fresno, Calif.

[73] Assignee: **Pelco**, Clovis, Calif.

[**] Term: **14 Years**

[21] Appl. No.: **29/089,232**

[22] Filed: **Jun. 10, 1998**

[51] **LOC (6) Cl.** **14-02**

[52] **U.S. Cl.** **D14/113; D14/127**

[58] **Field of Search** D14/100, 101, D14/106, 113, 124-129; 248/917-924; 341/12; 348/180, 184, 325, 739, 36; 345/104, 133, 156, 168, 87, 173, 901-905; 349/62; 361/687

[56] **References Cited**

U.S. PATENT DOCUMENTS

D. 169,363	4/1953	Ellison	D14/127
D. 213,592	3/1969	Anders	D14/127
D. 353,586	12/1994	Renk	D14/126

D. 356,080	3/1995	Goldfarb	D14/127
4,635,105	1/1987	Favreau	358/67
4,746,981	5/1988	Nadan	358/160
4,800,376	1/1989	Suga	340/721
4,833,542	5/1989	Hara	358/230
4,884,068	11/1989	Matheny	340/707
5,010,413	4/1991	Bahr	358/242
5,619,255	4/1997	Booth	348/36

Primary Examiner—Freda Nunn
Attorney, Agent, or Firm—Prince, Yeates & Geldzahler

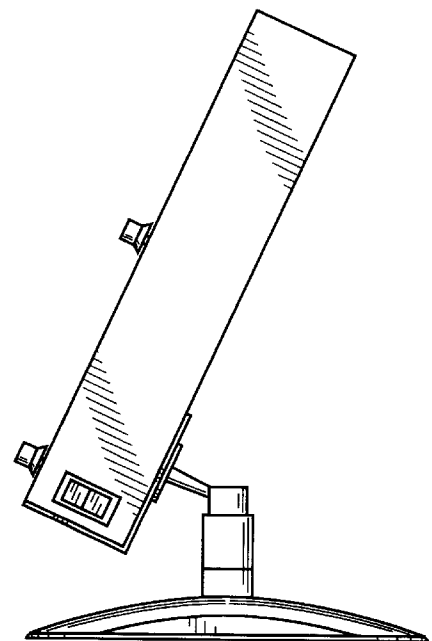
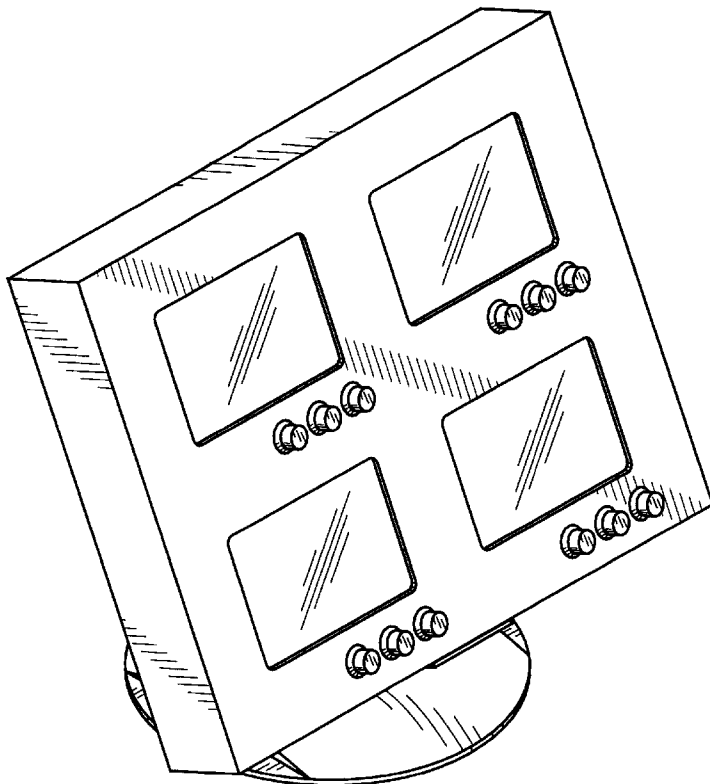
[57] **CLAIM**

We claim the ornamental design for a flat screen monitor with multiple screens, as shown.

DESCRIPTION

FIG. 1 is a perspective view of the flat screen monitor with multiple screens;
FIG. 2 is a front elevational view thereof;
FIG. 3 is a rear elevational view thereof;
FIG. 4 is a left-side elevational view thereof;
FIG. 5 is a right-side elevational view thereof;
FIG. 6 is a top plan view thereof; and,
FIG. 7 is a bottom plan view thereof.

1 Claim, 4 Drawing Sheets



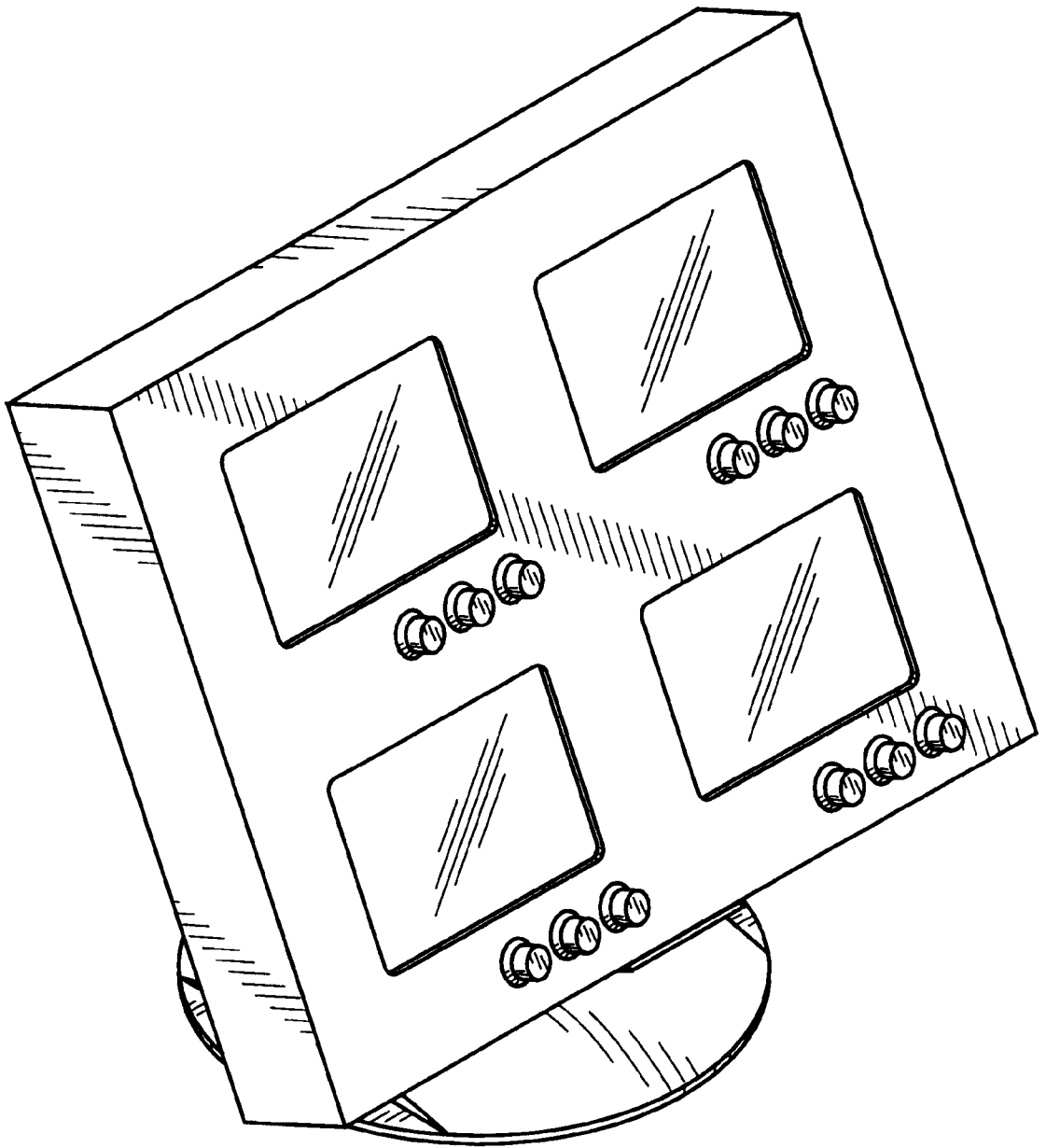


Fig. 1

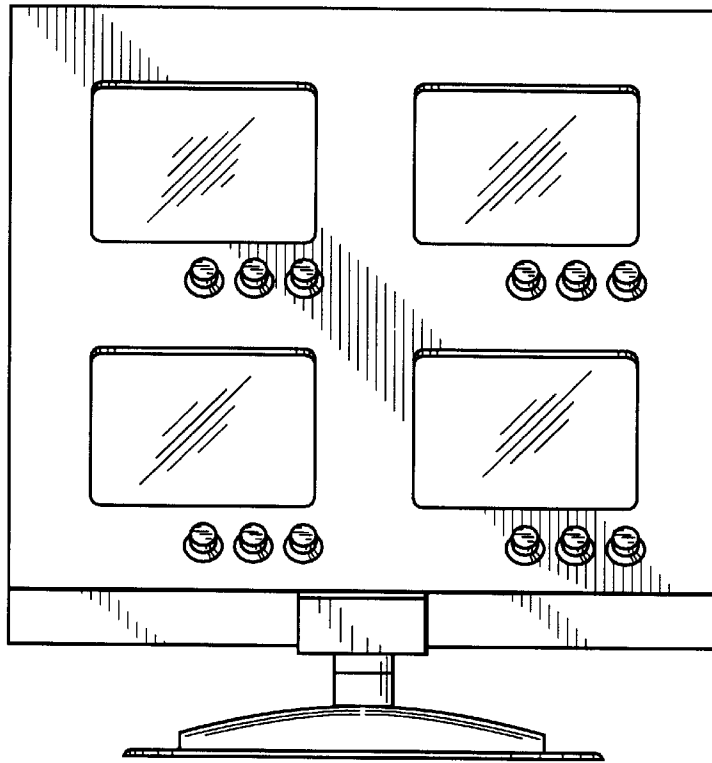


Fig. 2

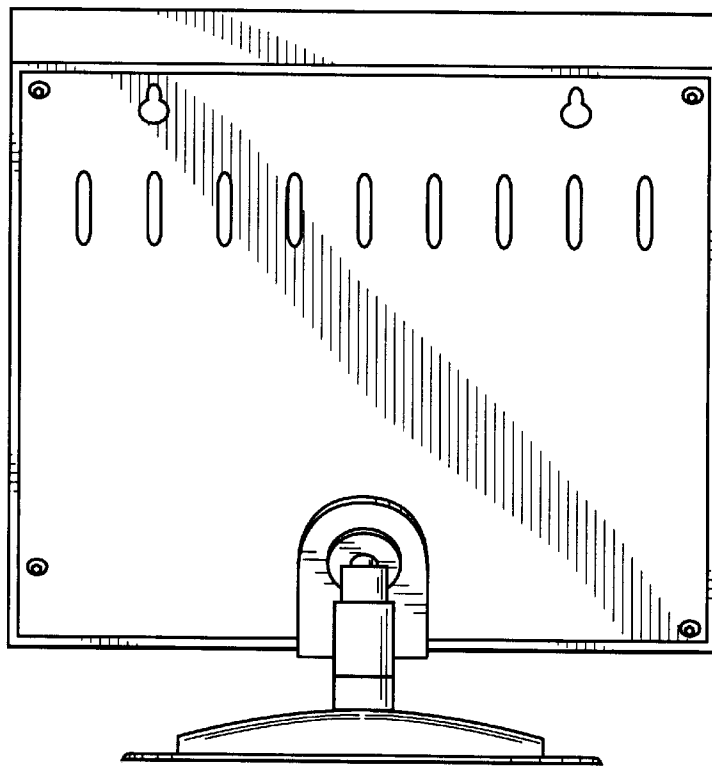


Fig. 3

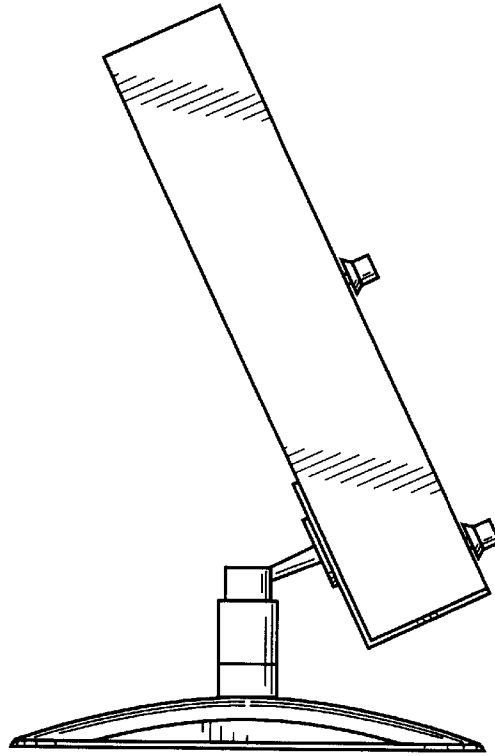


Fig. 4

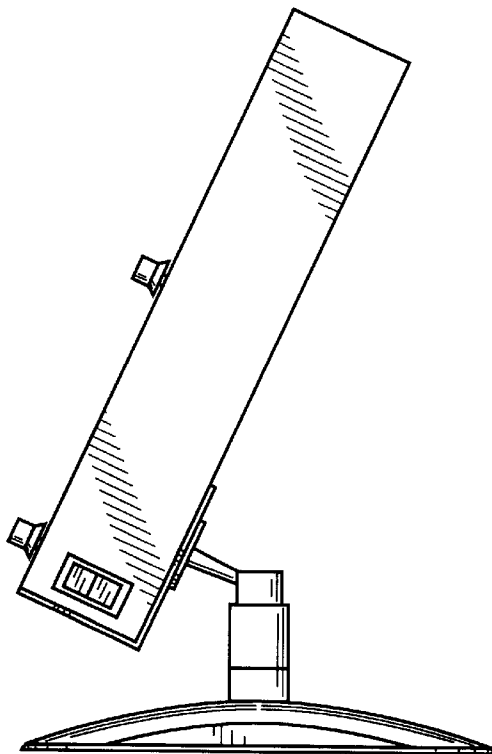


Fig. 5

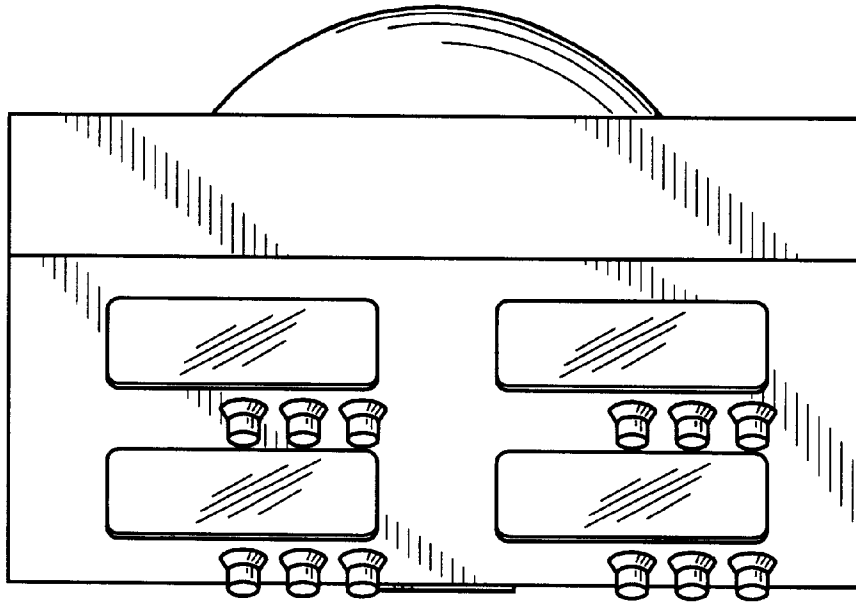


Fig. 6

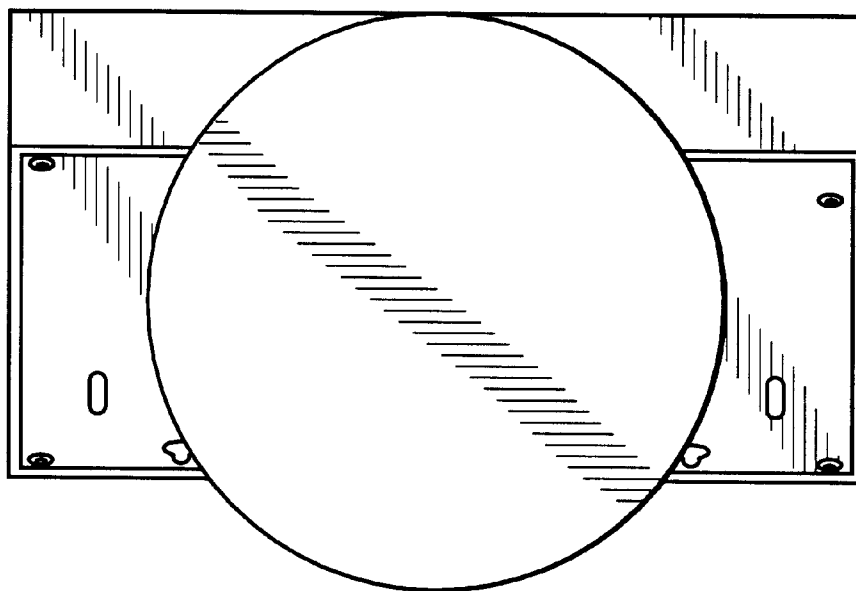


Fig. 7